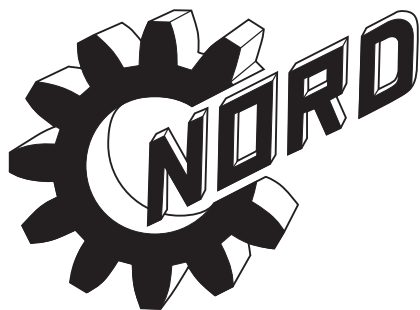
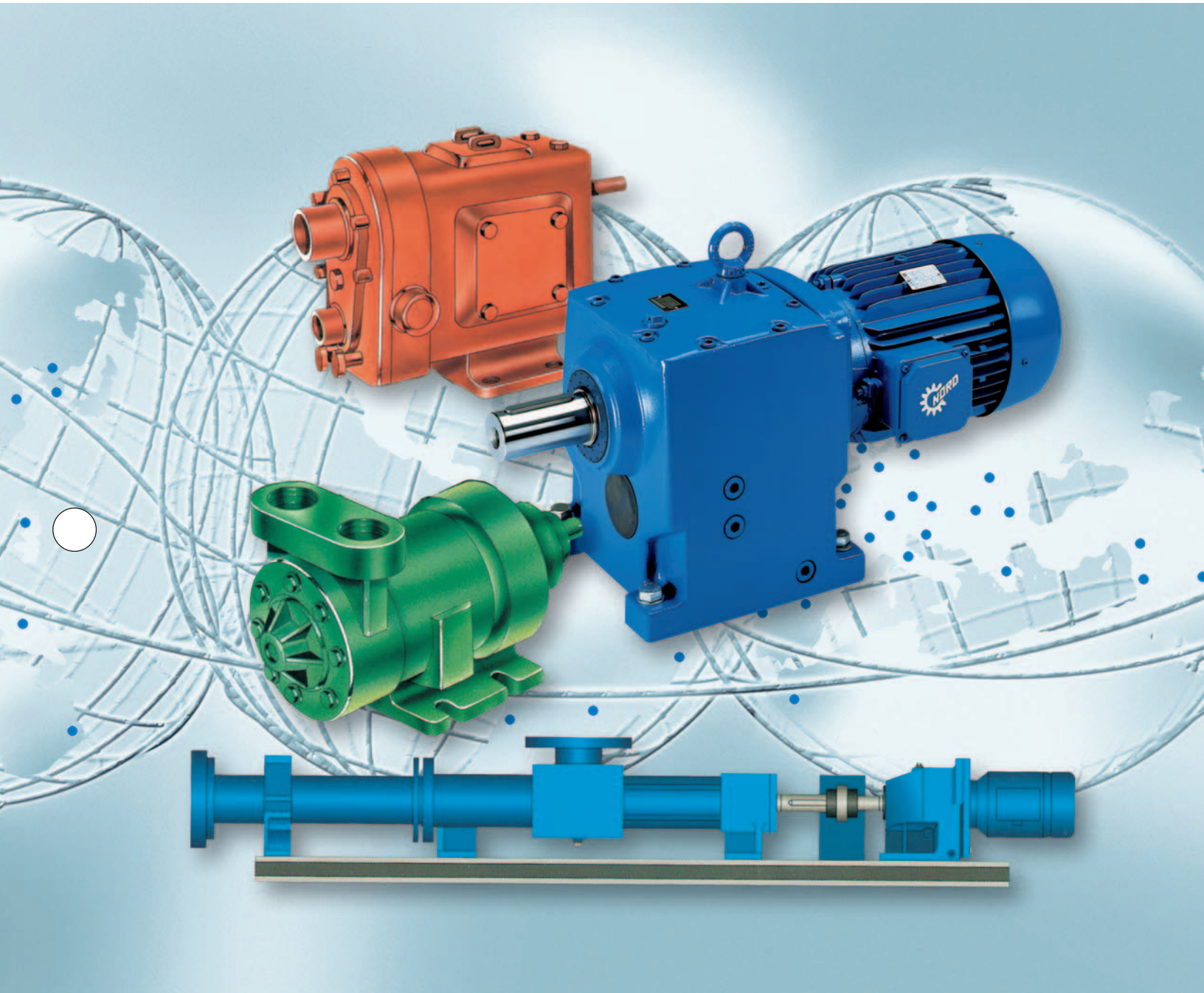


Pump Drive Guide

Gearmotors and Speed Reducers

1119/2002





Since 1965, NORD Gear has grown to global proportions on the strength of product performance, superior customer service, and intelligent solutions to a never-ending variety of industrial challenges.

All mechanical and electrical components of a drive are available from NORD Gear. Our products cover the full range of drive equipment: helical in-line, helical shaft-mount, helical bevel, and helical worm gearboxes from 1/6 hp to 250 hp, with torques from 90 lb-in to 900,000 lb-in.

But NORD Gear does far more than manufacture the world's finest drive components. We provide our customers with optimum drive configurations for their specific purposes, providing each and every one of them with truly complete and efficient systems at a price/quality ratio unmatched in today's fast-changing markets.

What's more, NORD Gear makes its wide range of products easily available through a global network that provides all customers with prompt delivery and expert support services to consistently exceed customer expectations.

We are firmly committed to being totally responsive to the ideas and specifications of every customer, anywhere in the world.

NORD GEAR: SPANNING THE GLOBE TO SERVE YOU

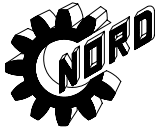


Table of Contents

Engineering Information	2
Maximize Pump Performance with the Right Drive	2
Lubrication & Mounting Positions	7
Standard Reducer Features	8
Standard Motor Features	9
Horsepower/Speed unit size selections	11
Dimensions	81
Inline Gearmotors	82
NORDBLOC® Gearmotors	94
Inline Speed Reducers with C-Face Adapters	100
NORDBLOC® Speed Reducers with C-Face Adapters	112
Inline Speed Reducers with Solid Input Shaft	118
NORDBLOC® Speed Reducers with Solid Input Shaft	126
Reducer mounting options	130
TITAN™ Adjustable Speed Belt Drives	
Horsepower/Speed unit size selections	135
Dimensions	151
NORDISC® Adjustable Speed Friction Drives	
Horsepower/Speed unit size selections	159
Dimensions	174
Motor Performance	
Engineering	184
Standard High Performance Motors	190
Energy Efficient Motors	191
Inverter/Vector Duty Engineering Information	
Voltage Spikes	194
Speed/Torque Curve and Equations	195
Totally Enclosed Fan Cooled (TEFC) Performance	196
Totally Enclosed Blower Cooled (TEBC) Performance	197
Motor Dimensions	
NORD NEMA C-face motor	198
Motor options	200



Types of Pumps

Choosing an appropriate driver for a pump presumes a thorough knowledge of the type of pump being used. Among various brands, there are basically two types: centrifugal and positive displacement.

Determining which type to use depends largely on viscosity and product integrity. Generally, centrifugal pumps do not operate at speeds less than 1750 rpm. Liquids are directed to the center of the pump and are discharged via centrifugal force. Only low to medium viscosity fluids can be transmitted through a centrifugal pump. Because this type of pump induces shearing to the product, it acts much like a “blender” and should only be used for homogenous mixtures. Normally, the driver is either an 1800-rpm or 3600 rpm motor directly coupled to the pump.

Unlike centrifugal pumps, a positive displacement (PD) pump operates much slower and utilizes rotating cavities of space to move the product. Since a PD pump induces little shear, it can be used for non-homogenous mixtures in order to retain product integrity (e.g. chunky tomato sauce). In addition, a slower speed allows a PD pump to move highly viscous fluids without losing its “prime”. Since these speed ranges are generally within 100-600 rpm, a gear reducer is used to slow the motor speed into the usable range of the pump.

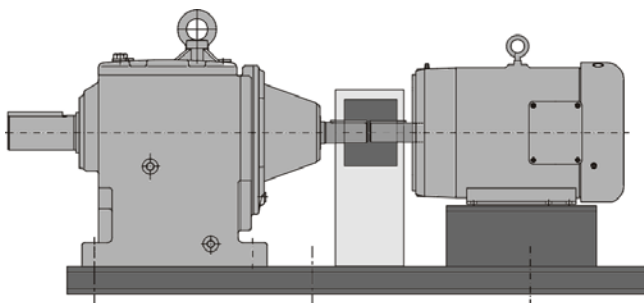


Figure 1 - Footed motor coupled to footed reducer

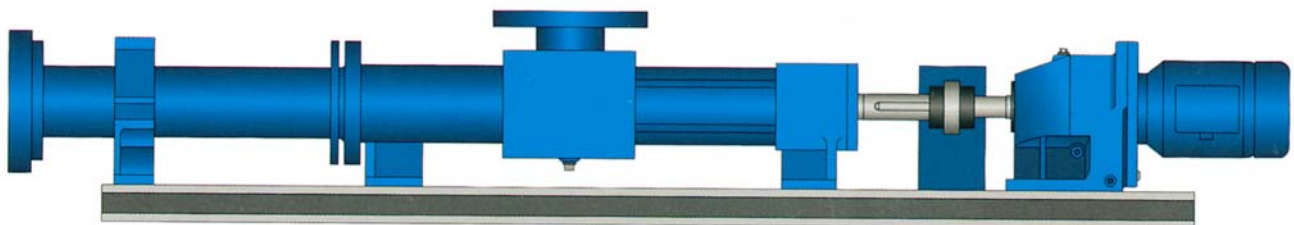


Figure 2 - Gearmotor and pump mounted on base

Types of Gearboxes to drive your pump

The typical PD pump driver is an inline helical Gearmotor with either feet or flange for mounting.



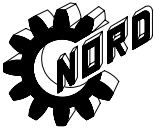
Figure 3 - In-line reducer mounting options

The footed version is used with pumps that have a solid input shaft. The gear reducer and pump are mounted onto a base plate joined by a coupling and covered by a guard for protection.

Some pumps offer an input flange and a hollow shaft which mates with a flanged Gearmotor, eliminating the need for a base plate, coupling and guard.

Whether the footed or flanged version is used, NORD offers three types of input to the reducer: integral motor, C-face adapter or solid shaft.

Integral motors have become increasingly popular within the last several years. A coupling is not needed between the motor and speed reducer. Rather, the pinion gear is mounted directly onto the motor shaft inside the reducer, making it more compact and less expensive. Several factory installed motor options are available including severe duty preparation; thermostat or thermistor winding protection and quick power disconnect to name a few. In addition, in case of motor winding failure, Integral Gearmotors allow the user to replace only the stator (winding) portion of the motor without having to replace the entire motor.



Engineering Information Standard Design & Construction

C-face style speed reducers are also available. Bolting on a mating C-face motor makes it a Gearmotor. Although more expensive than integral, a C-face Gearmotor allows the customer to use any brand or type of C-face motor conforming to NEMA dimensions. Motor manufacturers offer a wide variety of special application motors, including severe duty/washdown, mill/chemical duty and explosion proof. The motor can be replaced quickly and easily without having to drain the oil from the gear reducer.

The third style of reducer offers a solid input shaft. A footed motor is shimmed and mounted to the base plate containing the gearbox and pump.

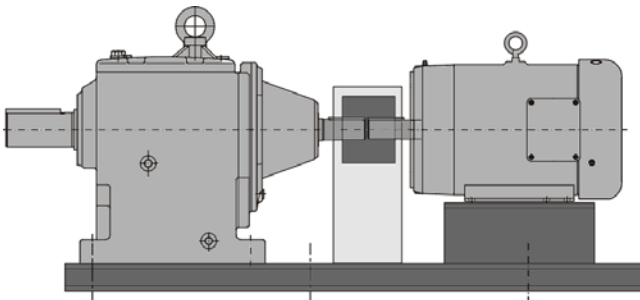


Figure 4 - Footed motor, shimmed and based mounted

Care must be used when shimming to avoid shaft misalignment which could cause premature failure to either motor or reducer bearings. NEMA dimensional standards allow interchangeability among all motor brands should the motor need replacement. Re-shimming to align shafts is always necessary after changing footed motors.

Although NEMA standards exist for motor dimensions, there are no industry standards among gear reducer manufacturers. Shaft diameters, shaft heights and foot distances are unique to each type of gear reducer. Replacing one gear reducer for another usually means modifications to the mounting configurations mentioned above.

Energy Savings

NORD research and development is focused on energy efficiency. The design of our gearboxes and motors will dramatically reduce energy consumption. Our premium efficiency gearboxes are among the best in the world in saving energy. Typical operational efficiencies are 97% for NORD double reduction gearboxes. Our optional 'Energy Efficient' motors continue this trend by adding 2-18% to standard motor efficiency. Often, energy consumption savings will

pay for the complete NORD Gearmotor in just a few years.

Is it a "Drive" or "Gearbox" or "Speed Reducer" or "Gearmotor"?

Typically the rotary power supply of a pump system is called a "Drive". Sometimes this includes motor control devices such as Inverters or Starters. Any part of the power supply such as the Starter, Inverter, Motor or Gearbox is sometimes referred to as the "Drive".

"Gearboxes" are used in pumping applications to reduce the speed of the motor and are typically called "Speed Reducers". Some "Speed Reducers" come with a motor attached as a package. These are called "Gearmotors". "Speed Reducers" can have integral motors (which share internal parts with the gearbox) or motors (C-face) which are bolted-onto a motor adapter. Either way when mounted and sold as one piece they become "Gearmotors".

A "Gearbox" without a motor is called a "Speed Reducer".

Nomenclature Examples

Model Type	Description
SK12-90S/4	Gearmotor Inline
SK12-90SH/4	Gearmotor Inline EE motor
SK12-140TC-90S/4	Gearmotor with C-face motor
SK12-140TC	Reducer with C-face adapter
SK12-W	Reducer with solid input shaft
SK12F-90S/4	Gearmotor with output flange
SK12-R100U-145TC	Gearmotor TITAN™
SK12-RV10-56C	Gearmotor NORDISC®
SK672-90S/4	Gearmotor NORDBLOC®

Sizing your drive

Two critical factors needed to select a Gearmotor are horsepower and speed. These values are usually determined by the pump manufacturer using a computer program or pump performance graphs. To determine the proper horsepower, speed and pump size the user must provide pressure, temperature, viscosity, product type, flow rate(s) and inlet pipe size. The pump manufacturer then chooses a Gearmotor that closely matches the calculated horsepower and rpm requirements. If the rpm is too slow, flow rate is reduced. If the rpm is too high, the "margin of safety" between to calculated horsepower and the selected horsepower is reduced, which may cause the selected



Engineering Information

Standard Design & Construction

horsepower to be increased. After horsepower and rpm have been determined, speed reducer service factor must be chosen.

AGMA ‘Service Factors’

The speed reducer selected must have a service factor greater than or equal to the AGMA recommendation:

AGMA Class of Service

Pump type	3-8	10-24
	hrs/day	hrs/day
Centrifugal	1.0	1.25
Proportioning	1.25	1.50
Reciprocating/single acting, 3+ cylinders	1.25	1.50
Reciprocating/double acting, 2+ cylinders	1.25	1.50
Rotary (gear, vane or lobe) w/constant density fluid	1.0	1.25
Rotary (gear, vane or lobe) w/variable density fluid from AGMA Standard 6009-A00	1.25	1.50

This table has been developed from the collective experience of pump manufacturers and users of speed reducers in typical pump applications. Maintaining speed reducer Service Factor (S.F.) provides compensation for non-measurable operating loads and daily length of time in service.

$$SF \geq \frac{\text{Speed Reducer Capacity (hp)}}{\text{Pump Load (hp)}}$$

The speed reducer selected should have a service factor greater than or equal to service factor suggested for the particular application. This will result in trouble free operation for a reasonable period of time. Insufficient service factor inevitably ends with premature failure of the speed reducer. Note: Each pump manufacturer determines the proper “margin of safety” for their type of application and equipment.

Example 1 Pumping at a fixed speed.

Pump Data:

Pump load 2.85 HP runs at 600 rpm.

Rotary pump, uniform density liquid for 8 hours per day → needs minimum S.F. of 1.0

Calculate:

Load torque = 2.85HP X 63025 / 600 rpm = 300 lb-in.

Select unit from tables:

Round up to 3 HP. Choose 3 HP “Speed Reducer with Integral Motor” running at 602 rpm with a minimum S.F. of 1.0

Model = SK 11E-100L/4
 Ratio = 2.83:1
 Output Speed = 602 rpm
 Service Factor = 1.5
 Output Torque = 319 in-lb

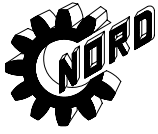
Multiple Speed Operation

Occasionally, the user may want to move the same product (or different products) at various flow rates using the same pump. This can be accomplished either electronically using a variable frequency inverter or mechanically using a TITAN belt case or a NORDISC traction drive. In these applications, it is best to analyze torque in order to avoid under sizing or over sizing the horsepower. Torque is defined by the following formulae where the units are [lb-in].

$$\text{Torque} \geq \frac{\text{Horsepower} \Delta 63025}{\text{Output Speed [rpm]}}$$

Given the continual advances in electronic technology, variable frequency inverters are rapidly replacing belt cases and traction drives for multiple speed operation. They offer several advantages including programming and reliability. Because they use a standard speed reducer and motor they are more compact than either a belt case or a traction drive.

Variable speed inverters produce constant torque below 60 Hz and constant horsepower above 60 Hz in North America. Pump applications involving the same product at different flow rates require constant torque.



Engineering Information Standard Design & Construction

Applications involving different products at different flow rates are considered requiring variable torque.

Same Product – Different Speeds

For same product applications involving a speed range of up to 5:1 a variable frequency inverter can be used on a single speed gearmotor with no medications. The maximum speed occurs at 60 Hz. The low speed can be as low as 60/5 or 12 Hz.. This speed range is acceptable to most motor manufacturers.

Example 2 Operate Gearmotor at various speeds. Control Motor with a Frequency Inverter. Load torque is CONSTANT.

Pump Data: pump load torque is 300 in-lb and runs at 120, 240, 360, 480 and 600 rpm.

Rotary pump, uniform density liquid for 8 hours per day → needs minimum S.F. of 1.0
Pump speed turndown is 600/120 = 5:1

Calculate:

Load HP_{600rpm} = 300 lb-in X 600 rpm / 63025 = 2.85 HP
Load HP_{480rpm} = 300 lb-in X 480 rpm / 63025 = 2.28 HP
Load HP_{360rpm} = 300 lb-in X 360 rpm / 63025 = 1.71 HP
Load HP_{240rpm} = 300 lb-in X 240 rpm / 63025 = 1.14 HP
Load HP_{120rpm} = 300 lb-in X 120 rpm / 63025 = 0.57 HP

Select unit from tables:

Round up to 3 HP. Look to the high-speed column under “Operate with Inverter 5:1 turndown”. Choose 3 HP unit running at 602-120 rpm with a minimum S.F. of 1.0

Model = SK 11E-100L/4
Ratio = 2.83:1
Output Speed = 602-120 rpm
Service Factor = 1.5
Output Torque = 319 in-lb
Motor Frequency = 60 to 12Hz

Proper cooling is the key element to avoid motor damage. At low motor speeds (below 12Hz) the fan speed may be too slow to cool the motor sufficiently. Without enough forced air cooling, the motor must rely on natural convection to avoid failure. NORD’s corrosion resistant aluminum alloy motor housing allows faster heat dissipation and can usually be operated at a lower speed than a cast iron or smooth sided steel body motor. For operation below recommended hertz values, either a separately wired

forced air ventilator, a motor with class H insulation, or an oversized motor (providing larger surface area) should be selected.

To allow a wider range of operation and still allow for proper cooling NORD gearmotors are designed to operate at up to 80 Hz. This not only allows the gearmotor to operate at a wider range above 60 Hz but also at a wider range below 60 Hz. Typical operation is from 80-4 Hz without the need for additional cooling. Safe operating speed turndown is 80/4 or 20:1.

Example 3 Operate Gearmotor at various speeds. Control Motor with a Frequency Inverter. Load torque is CONSTANT.

Pump Data: Pump load torque is 300 in-lb and runs at 30, 60, 90, 120, 480 and 600 rpm. Rotary pump, uniform density liquid for 8 hours per day → needs minimum S.F. of 1.0

Pump speed turndown is 600/30 = 20:1.

Calculate:

Load HP_{600rpm} = 300 lb-in X 600 rpm / 63025 = 2.85 HP
Load HP_{480rpm} = 300 lb-in X 480 rpm / 63025 = 2.28 HP
Load HP_{120rpm} = 300 lb-in X 120 rpm / 63025 = 0.57 HP
Load HP_{90rpm} = 300 lb-in X 90 rpm / 63025 = 0.43 HP
Load HP_{60rpm} = 300 lb-in X 60 rpm / 63025 = 0.29 HP
Load HP_{30rpm} = 300 lb-in X 30 rpm / 63025 = 0.14 HP

Select unit from tables:

Round up to 3 HP. Look to the high-speed column under “Operate with Inverter 20:1 turndown”. Choose 3 HP unit running at 618-31 rpm with a minimum S.F. of 1.0

Model = SK 21E-100L/4
Ratio = 3.67:1
Output Speed = 618-31 rpm
Service Factor = 1.5
Output Torque = 305 in-lb
Motor Frequency = 80 to 4Hz



Engineering Information

Standard Design & Construction

Different Product – Different Speeds

For these applications using the same pump, torques must be individually calculated and the gearmotor must be sized for the largest torque and highest speed.

The following steps should be performed when sizing two different applications with the same pump.

1. Determine the pump load torque at all speeds.
2. Calculate the drive motor size using the highest load torque at the highest pump speed.

Example 4 Operate pump at different speeds for each product. Control Motor with a Frequency Inverter.

For this example, pump load torque at each speed or different operating condition must be calculated.

Pump Data:

Product A: Load HP $_{410\text{ rpm}} = 4.7$

Product B: Load HP $_{175\text{ rpm}} = 3.1$

Product C: Load HP $_{150\text{ rpm}} = 1.9$

Rotary pump, uniform density liquids, 24 hrs./day → needs minimum s.f. of 1.25

Pump speed turndown is $410/150 = 2.7:1$

Calculate:

Torque $_{410\text{ rpm}} = 4.7 \times 63025 / 410\text{ rpm} = 722\text{ in-lb}$

Torque $_{175\text{ rpm}} = 3.1 \times 63025 / 175\text{ rpm} = 1,116\text{ in-lb}$

Torque $_{150\text{ rpm}} = 1.9 \times 63025 / 150\text{ rpm} = 798\text{ in-lb}$

Use largest load torque 1,116 lb-in. at the highest speed. 410 rpm.

Calculate motor HP = $1,116\text{ in-lbs} \times 410\text{ rpm} / 63025 = 7.26\text{ HP} \rightarrow$ round up to 7.5 HP

Select unit from tables:

7.5 HP Gearmotor running at 410 rpm with a minimum S.F. of 1.25.

Model = SK 472-132S/4
 Ratio = 4.23
 Output Speed = 412
 Service Factor = 1.7
 Output Torque = 1,151 in-lbs
 Motor Frequency = 60 to 22Hz

Another style of variable speed Gearmotors is the TITAN™ beltbox or NORDISC® friction drive. With the ability to manually adjust the speed by turning a hand wheel, simplicity and ease of operation are the strength of this type of variable speed. Mechanical drives are considered constant torque throughout the entire speed range. Selections are based on high-speed load torque, which does not change as speed is manually reduced.

Example 5 Mechanical Variable Speed Gearmotor pumps products at different rates using the same pump.

Pump Data:

For this example, pump load torque at each speed or different operating condition must be calculated.

Maximum pump load torque and the highest operating speed are used to determine the motor HP.

Product A: Load HP $_{810\text{ rpm}} = 4.7$

Product B: Load HP $_{175\text{ rpm}} = 3.2$

Rotary pump, uniform density liquids, 24 hours per day → minimum S.F. = 1.25

Calculate:

Torque $_{810\text{ rpm}} = 4.7 \times 63025 / 810\text{ rpm} = 3656\text{ in-lb}$

Torque $_{175\text{ rpm}} = 3.2 \times 63025 / 175\text{ rpm} = 1,152\text{ in-lb}$

Pump speed turndown is $810/175 = 4.6:1$

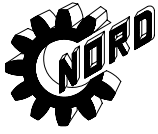
Motor HP = $(1,152\text{ in-lbs} \times 810\text{ rpm} \times 1.10) / 63025 = 16.3\text{ HP} \rightarrow$ round up to 20 HP

Select unit from TITAN™ table:

20 HP Gearmotor running at 810-175 rpm with a minimum S.F. of 1.25.

Model = SK 52-R280U-256TC
 Ratio = 4.08
 Output Speed = 870-145
 Service Factor = 7.0
 Torque = 1,301 in-lbs

Sizing the NORDISC® traction drive uses the same calculation method as Example 5. Both the TITAN™ belt case and NORDISC® traction drive should be considered as producing constant torque throughout the entire speed range. Using friction drives in applications involving shock loading such as pumping variable density (lumpy) material is not recommended. Damage to the internal traction drive components may occur. Instead a belt case should be used so that the rubber belt serves as a “shock absorber” to minimize damage and wear.



Engineering Information Standard Design & Construction

OIL SPECIFICATIONS

NORD supplies all reducers filled with oil from the factory. Consult the sticker adjacent to the fill plug to determine the type of lubricant installed at the factory. Standard lubricant is ISO VG220 mineral-based oil. However, some units have special lubricants designed to operate in certain environments or to extend the service life of the lubricant. If in doubt about which lubricant is needed, contact NORD Gear.

STANDARD OIL – ISO VG220

Ambient Temperature	Formulation
20 to 104°F (-5 to 40°C)	Mineral

TYPICAL OILS PAO = Poly Alpha Olefin

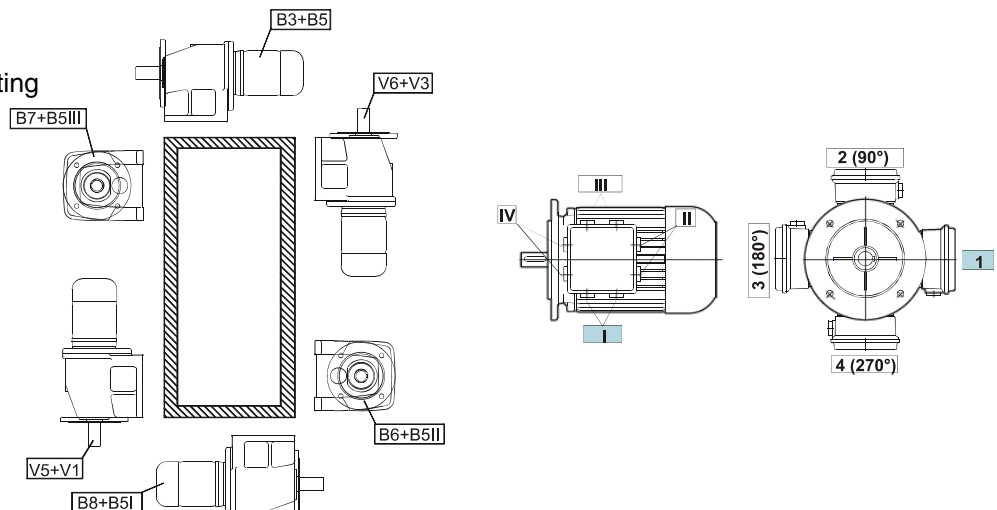
Viscosity ISO NLGI	Formulation	Service Temperature Range	Mobil®	Shell	Castrol	KLÜBER LUBRICATION	bp	Tribol®
VG 460	Conventional Mineral	20°C to +50°C 68F to +122°F	Mobilgear 634	Omala 460	7EP	Klüberoil GEM 1-460	Energol GR-XP 460	Tribol 1100/460
	Synthetic PAO	-30°C to +80°C -22°F to +176°F	Mobil SHC 634	Omala 460 HD	Isolube EP 460	Klübersynth EG 4-460	N/A	Tribol 1510/460
VG 320	Conventional Mineral	0°C to +30°C 32°F to +86°F	Mobilgear 632	Omala 320	6EP	Klüberoil GEM 1-320	Energol GR-XP 320	Tribol 1100/320
	Synthetic PAO	-35°C to +80°C -31°F to +176°F	Mobil SHC 632	Omala 320 HD	Isolube EP 460	Klübersynth EG 4-320	N/A	Tribol 1510/320
VG 220	Conventional Mineral	-5°C to +40°C +20°F to +104°F	Mobilgear 630	Omala 220	5EP	Klüberoil GEM 1-220	Energol GR-XP 220	Tribol 1100/220
	Synthetic PAO	-34°C to +80°C -30°F to +176°F	Mobil SHC 630	Omala 220 HD	Isolube EP 220	Klübersynth EG 4-220	N/A	Tribol 1510/220
VG 150 & VG 100	Conventional Mineral	-15°C to +25°C 5°F to +77°F	Mobilgear 629	Omala 100	4EP	Klüberoil GEM 1-150	Energol GR-XP 100	Tribol 1100/100
	Synthetic PAO	-37°C to +10°C -35°F to +50°F	Mobil SHC 629	Omala 150 HD	Isolube EP 150	Klübersynth EG 4-150	N/A	N/A
VG 68	Conventional Mineral	-15°C to +25°C 5°F to +77°F	Mobilgear 626	Omala 68	2EP	Klüberoil GEM 1-68	Energol GR-XP 68	Tribol 1100/68
	Synthetic PAO	-40°C to +10°C -40°F to +50°F	Mobil SHC 626	N/A	Isolube EP 68	N/A	N/A	N/A
VG 32	Synthetic PAO	-40°C to +10°C -40°F to +50°F	Mobil SHC 624	N/A	N/A	Klüber-Summit HySyn FG-32	N/A	N/A

SPECIAL PURPOSE LUBRICANTS

Ambient Temperature	Formulation	Manuf.	Oil Brand Name
20 to 104°F (-5 to 40°C)	Food Grade Oil - Synthetic	Chevron	FM ISO 220
20 to 104°F (-5 to 40°C)	Food Grade Oil - Synthetic	OilJAX	Magnaplate 85W140-FG
5 to 125°F (-20 to 50°C)	Fluid Grease	Mobil	Mobilux EP023
-30 to 140°F (-35 to 60°C)	Fluid Grease - Synthetic	Mobil	Mobilith SHC 007
-30 to 140°F (-35 to 60°C)	Fluid Grease - Synthetic	Shell	Albida LC

Mounting Positions

Each order must have a mounting position specified.





STANDARD REDUCER FEATURES

QUADRILIP™ shaft seal system – consisting of 2 spring compression lips, 1 trash guard lip and 1 collector grease pack – keeps contaminants out and lubricant inside the gear case.

AUTOVENT breather seals dirt and moisture out while allowing the gear case to breathe during startup and cool down.

Standard paint has 316 stainless steel flakes with a flexible and tough resin binder. USDA incidental contact H1 approval provides excellent moisture and corrosion resistance.

Primer paint covers all exterior surfaces of the housing, providing excellent base corrosion protection.

Housing interior seal coating locks in casting sand, fills in processing blemishes eliminating leak paths, and protects against moisture damage to inside of gear case.

UNICASE™ one-piece housing is torsionally stiff, machined in one pass, has extreme accuracy, and eliminates the split case leakage path.

Shaft material is wear-resistant, high carbon steel that provides stable non-grooving surface for oil seal contact.

Outside diameter of oil seals is nitrile rubber. Direct connection of seal to housing eliminates bolt-on covers and centers the seal, eliminating the potential for leakage.

Grease Filled Pockets

Plunge Ground Surface (No Spiral) To 12:20 RMS

Double Seals, 3 Sealing Lips

Labyrinth

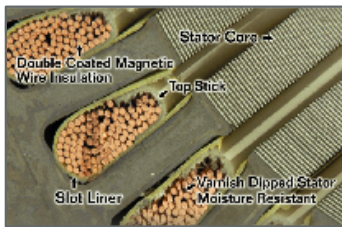
Sealing Ring

O-Ring



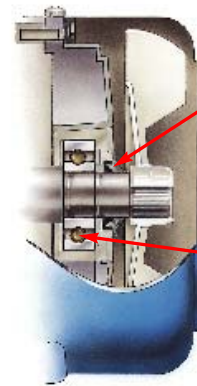
Engineering Information Standard Motor Features

STANDARD MOTOR FEATURES



> Inverter duty winding protection, Class H magnet wire insulation, double coated wire, and voltage spike protection.

> End bell to stator connections are sealed to keep out moisture.

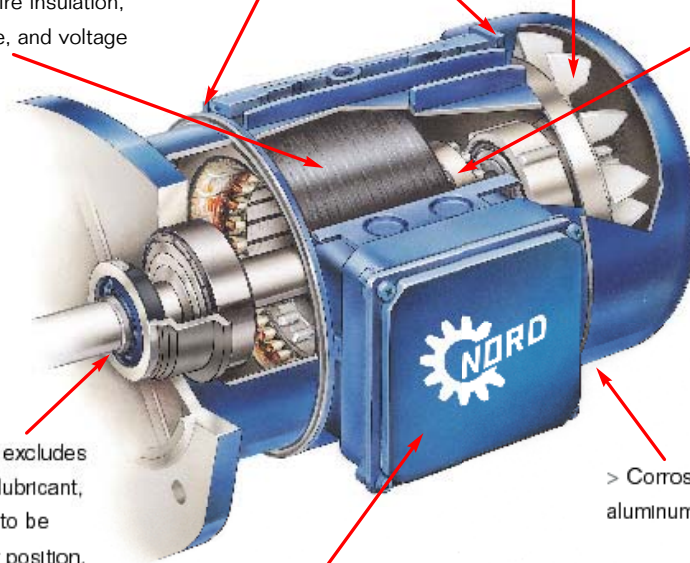


> Shaft lip seal prevents contaminants from entering.

> Bearing grease has superior resistance to washout, rust and corrosion.

> Corrosion-resistant, non-sparking fan.

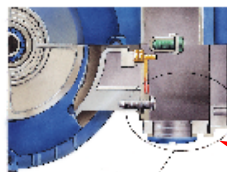
> Die cast aluminum rotor coated to prevent corrosion.



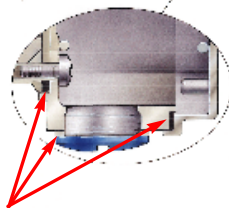
> Shaft lip seal excludes speed reducer lubricant, allowing motor to be mounted in any position.

> Corrosion-resistant aluminum alloy construction.

> Standard paint has 316 stainless steel flakes with a flexible and tough resin binder. USDA incidental contact H1 approval provides excellent moisture resistance.



> Threaded cable entry allows the power feed line to be sealed.



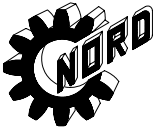
> Conduit box connections and lid have gaskets to ensure a watertight seal.

Engineering Information

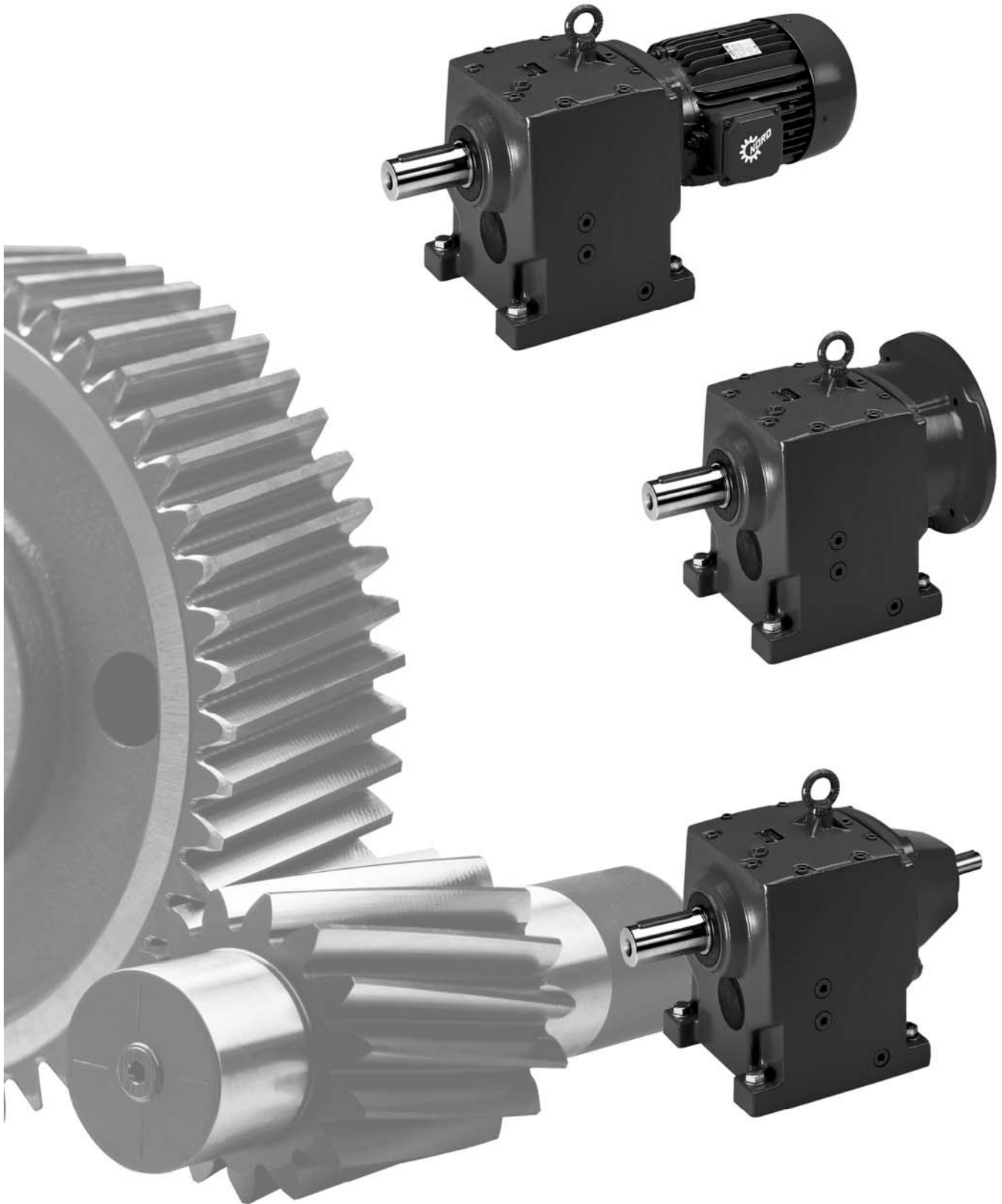
Standard Reducer Features



Notes

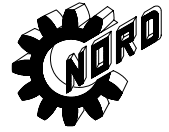


Gearmotor & Speed Reducers Ratings

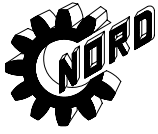




1/6 hp Gearmotors & Speed Reducers



Output Speed n ₂ [rpm]	Output Torque T ₂ [lb-in]	SF f _B	Gear Ratio i	Integral Gearmotor		Gearmotor C-Face		Reducer		5:1 Inverter Duty			20:1 Inverter Duty		
				Standard Motor	EE Motor	Standard Motor	EE Motor	C-Face Input	Solid Input Shaft	[60Hz] n ₆₀ [rpm]	[12Hz] n ₁₂ [rpm]	T ₆₀ [lb-in]	[80Hz] n ₈₀ [rpm]	[4Hz] n ₄ [rpm]	T ₈₀ [lb-in]
1259	11	40.3	1.35	SK11E-63S/4	not available	SK11E-56C-63S/4	not available	SK11E-56C	SK11E-W	1259	252	11	1675	84	8.3
1104	9	49.2	1.54	SK11E-63S/4	not available	SK11E-56C-63S/4	not available	SK11E-56C	SK11E-W	1104	221	9	1470	73	6.8
939	11	24.5	1.81	SK11E-63S/4	not available	SK11E-56C-63S/4	not available	SK11E-56C	SK11E-W	939	188	11	1250	62	8.3
862	12	21.7	1.93	SK172-63S/4	not available	SK172-56C-63S/4	not available	SK172-56C	SK172-W	862	172	12	1145	57	9
833	12	23.7	2.04	SK11E-63S/4	not available	SK11E-56C-63S/4	not available	SK11E-56C	SK11E-W	833	167	12	1110	55	9
745	13	20.9	2.23	SK172-63S/4	not available	SK172-56C-63S/4	not available	SK172-56C	SK172-W	745	149	13	991	50	9.8
733	14	22.8	2.32	SK11E-63S/4	not available	SK11E-56C-63S/4	not available	SK11E-56C	SK11E-W	733	147	14	975	49	11
635	16	21.7	2.62	SK172-63S/4	not available	SK172-56C-63S/4	not available	SK172-56C	SK172-W	635	127	16	845	42	12
601	17	21.3	2.83	SK11E-63S/4	not available	SK11E-56C-63S/4	not available	SK11E-56C	SK11E-W	601	120	17	799	40	13
576	18	22.1	2.95	SK02-63S/4	not available	SK02-56C-63S/4	not available	SK02-56C	SK02-W	576	115	18	766	38	14
548	19	20.9	3.03	SK172-63S/4	not available	SK172-56C-63S/4	not available	SK172-56C	SK172-W	548	110	19	729	36	14
535	19	18.8	3.18	SK11E-63S/4	not available	SK11E-56C-63S/4	not available	SK11E-56C	SK11E-W	535	107	19	712	36	14
503	20	21.1	3.38	SK02-63S/4	not available	SK02-56C-63S/4	not available	SK02-56C	SK02-W	503	101	20	669	33	15
493	20	20.8	3.37	SK172-63S/4	not available	SK172-56C-63S/4	not available	SK172-56C	SK172-W	493	99	20	656	33	15
472	21	17.4	3.60	SK11E-63S/4	not available	SK11E-56C-63S/4	not available	SK11E-56C	SK11E-W	472	94	21	628	31	16
437	23	20.1	3.89	SK02-63S/4	not available	SK02-56C-63S/4	not available	SK02-56C	SK02-W	437	87	23	581	29	17
426	24	18.7	3.90	SK172-63S/4	not available	SK172-56C-63S/4	not available	SK172-56C	SK172-W	426	85	24	567	28	18
408	25	19	4.07	SK172-63S/4	not available	SK172-56C-63S/4	not available	SK172-56C	SK172-W	408	82	25	543	27	19
403	25	18.4	4.22	SK02-63S/4	not available	SK02-56C-63S/4	not available	SK02-56C	SK02-W	403	81	25	536	27	19
353	28	17	4.71	SK172-63S/4	not available	SK172-56C-63S/4	not available	SK172-56C	SK172-W	353	71	28	469	23	21
353	28	17.7	4.82	SK02-63S/4	not available	SK02-56C-63S/4	not available	SK02-56C	SK02-W	353	71	28	469	23	21
319	32	15.7	5.21	SK172-63S/4	not available	SK172-56C-63S/4	not available	SK172-56C	SK172-W	319	64	32	424	21	24
305	33	15.3	5.57	SK02-63S/4	not available	SK02-56C-63S/4	not available	SK02-56C	SK02-W	305	61	33	406	20	25
289	35	14.5	5.74	SK172-63S/4	not available	SK172-56C-63S/4	not available	SK172-56C	SK172-W	289	58	35	384	19	26
279	36	14	6.10	SK02-63S/4	not available	SK02-56C-63S/4	not available	SK02-56C	SK02-W	279	56	36	371	19	27
262	39	13.3	6.34	SK172-63S/4	not available	SK172-56C-63S/4	not available	SK172-56C	SK172-W	262	52	39	348	17	29
247	41	13.2	6.89	SK02-63S/4	not available	SK02-56C-63S/4	not available	SK02-56C	SK02-W	247	49	41	329	16	31
240	42	12.8	6.94	SK172-63S/4	not available	SK172-56C-63S/4	not available	SK172-56C	SK172-W	240	48	42	319	16	32
218	46	12	7.80	SK02-63S/4	not available	SK02-56C-63S/4	not available	SK02-56C	SK02-W	218	44	46	290	14	35
216	47	11.7	7.68	SK172-63S/4	not available	SK172-56C-63S/4	not available	SK172-56C	SK172-W	216	43	47	287	14	35
208	49	11.5	8.19	SK02-63S/4	not available	SK02-56C-63S/4	not available	SK02-56C	SK02-W	208	42	49	277	14	37
202	50	12.8	8.25	SK172-63S/4	not available	SK172-56C-63S/4	not available	SK172-56C	SK172-W	202	40	50	269	13	38
187	54	3.8	9.11	SK11E-63S/4	not available	SK11E-56C-63S/4	not available	SK11E-56C	SK11E-W	187	37	54	249	12	41
183	55	10.4	9.28	SK02-63S/4	not available	SK02-56C-63S/4	not available	SK02-56C	SK02-W	183	37	55	243	12	41
178	57	11.7	9.35	SK172-63S/4	not available	SK172-56C-63S/4	not available	SK172-56C	SK172-W	178	36	57	237	12	43
171	59	9.6	9.95	SK02-63S/4	not available	SK02-56C-63S/4	not available	SK02-56C	SK02-W	171	34	59	227	11	44
166	61	11.2	10.07	SK172-63S/4	not available	SK172-56C-63S/4	not available	SK172-56C	SK172-W	166	33	61	221	11	46
151	66	8.9	11.27	SK02-63S/4	not available	SK02-56C-63S/4	not available	SK02-56C	SK02-W	151	30	66	201	10	50
146	69	10.4	11.41	SK172-63S/4	not available	SK172-56C-63S/4	not available	SK172-56C	SK172-W	146	29	69	194	9.7	52
137	73	10.2	12.16	SK172-63S/4	not available	SK172-56C-63S/4	not available	SK172-56C	SK172-W	137	27	73	182	9.1	55
133	76	8.2	12.82	SK02-63S/4	not available	SK02-56C-63S/4	not available	SK02-56C	SK02-W	133	27	76	177	8.8	57
128	79	9.5	12.98	SK172-63S/4	not available	SK172-56C-63S/4	not available	SK172-56C	SK172-W	128	26	79	170	8.5	59
113	89	8.4	14.84	SK172-63S/4	not available	SK172-56C-63S/4	not available	SK172-56C	SK172-W	113	23	89	150	7.5	67
107	97	6.8	15.95	SK02-63S/4	not available	SK02-56C-63S/4	not available	SK02-56C	SK02-W	107	21	97	142	7.1	73
96	106	7.2	17.17	SK172-63S/4	not available	SK172-56C-63S/4	not available	SK172-56C	SK172-W	96	19	106	128	6.4	80
92	106	6.9	17.87	SK172-63S/4	not available	SK172-56C-63S/4	not available	SK172-56C	SK172-W	92	18	106	122	6.1	80
83	124	5.4	20.59	SK02-63S/4	not available	SK02-56C-63S/4	not available	SK02-56C	SK02-W	83	17	124	110	5.5	93
77	133	5.9	21.59	SK172-63S/4	not available	SK172-56C-63S/4	not available	SK172-56C	SK172-W	77	15	133	102	5.1	100



1/6 hp



Gearmotors & Speed Reducers

Output Speed n ₂ [rpm]	Output Torque T ₂ [lb-in]	SF f _B	Gear Ratio i	Integral Gearmotor		Gearmotor C-Face		Reducer		5:1 Inverter Duty			20:1 Inverter Duty			
				Standard Motor	EE Motor	Standard Motor	EE Motor	C-Face Input	Solid Input Shaft	[60Hz]		[12Hz]		[80Hz]		[4Hz]
										n ₆₀ [rpm]	T ₆₀ [lb-in]	n ₁₂ [rpm]	T ₁₂ [lb-in]	n ₈₀ [rpm]	T ₈₀ [lb-in]	n ₄ [rpm]
73	142	5	23.13	SK02-63S/4	not available	SK02-56C-63S/4	not available	SK02-56C	SK02-W	73	15	142	97	4.9	107	
70	142	5.5	23.91	SK172-63S/4	not available	SK172-56C-63S/4	not available	SK172-56C	SK172-W	70	14	142	93	4.7	107	
62	159	4.7	27.52	SK02-63S/4	not available	SK02-56C-63S/4	not available	SK02-56C	SK02-W	62	12	159	82	4.1	119	
60	168	4.5	27.61	SK172-63S/4	not available	SK172-56C-63S/4	not available	SK172-56C	SK172-W	60	12	168	80	4	126	
56	177	4.3	29.10	SK172-63S/4	not available	SK172-56C-63S/4	not available	SK172-56C	SK172-W	56	11	177	74	3.7	133	
53	195	4	30.58	SK172-63S/4	not available	SK172-56C-63S/4	not available	SK172-56C	SK172-W	53	11	195	70	3.5	146	
51	195	4.3	33.42	SK02-63S/4	not available	SK02-56C-63S/4	not available	SK02-56C	SK02-W	51	10	195	68	3.4	146	
44	230	3.4	37.21	SK172-63S/4	not available	SK172-56C-63S/4	not available	SK172-56C	SK172-W	44	8.8	230	59	2.9	173	
41	250	3.6	41.58	SK02-63S/4	not available	SK02-56C-63S/4	not available	SK02-56C	SK02-W	41	8.2	250	55	2.7	186	
36	285	2.7	45.40	SK172-63S/4	not available	SK172-56C-63S/4	not available	SK172-56C	SK172-W	36	7.2	285	48	2.4	210	
34	300	2.5	48.32	SK172-63S/4	not available	SK172-56C-63S/4	not available	SK172-56C	SK172-W	34	6.8	300	45	2.3	225	
32	320	2.5	53.68	SK02-63S/4	not available	SK02-56C-63S/4	not available	SK02-56C	SK02-W	32	6.4	320	43	2.1	240	
28	365	2.1	58.96	SK172-63S/4	not available	SK172-56C-63S/4	not available	SK172-56C	SK172-W	28	5.6	365	37	1.9	270	
28	365	2.2	61.27	SK02-63S/4	not available	SK02-56C-63S/4	not available	SK02-56C	SK02-W	28	5.6	365	37	1.9	270	
28	365	3.8	61.35	SK12-63S/4	not available	SK12-56C-63S/4	not available	SK12-56C	SK12-W	28	5.6	365	37	1.9	270	
26	390	2.5	65.50	SK03-63S/4	not available	SK03-56C-63S/4	not available	SK03-56C	SK03-W	26	5.2	390	35	1.7	290	
26	390	3.2	61.73	SK273-63S/4	not available	SK273-56C-63S/4	not available	SK273-56C	SK273-W	26	5.2	390	35	1.7	290	
25	405	2.9	64.75	SK272-63S/4	not available	SK272-56C-63S/4	not available	SK272-56C	SK272-W	25	5	405	33	1.7	305	
25	405	4.3	68.40	SK13-63S/4	not available	SK13-56C-63S/4	not available	SK13-56C	SK13-W	25	5	405	33	1.7	305	
23	445	1.8	73.06	SK02-63S/4	not available	SK02-56C-63S/4	not available	SK02-56C	SK02-W	23	4.6	445	31	1.5	330	
23	445	2.8	72.63	SK12-63S/4	not available	SK12-56C-63S/4	not available	SK12-56C	SK12-W	23	4.6	445	31	1.5	330	
23	445	2.8	71.41	SK273-63S/4	not available	SK273-56C-63S/4	not available	SK273-56C	SK273-W	23	4.6	445	31	1.5	330	
21	480	2	81.50	SK03-63S/4	not available	SK03-56C-63S/4	not available	SK03-56C	SK03-W	21	4.2	480	28	1.4	360	
20	505	1.2	79.56	SK172-63S/4	not available	SK172-56C-63S/4	not available	SK172-56C	SK172-W	20	4	505	27	1.3	380	
20	505	2.5	82.89	SK273-63S/4	not available	SK273-56C-63S/4	not available	SK273-56C	SK273-W	20	4	505	27	1.3	380	
20	505	3.1	85.47	SK13-63S/4	not available	SK13-56C-63S/4	not available	SK13-56C	SK13-W	20	4	505	27	1.3	380	
19	530	3.7	85.47	SK373-63S/4	not available	SK373-56C-63S/4	not available	SK373-56C	SK373-W	19	3.8	530	25	1.3	400	
17	595	3.3	98.94	SK373-63S/4	not available	SK373-56C-63S/4	not available	SK373-56C	SK373-W	17	3.4	595	23	1.1	445	
16	630	1.3	104.77	SK03-63S/4	not available	SK03-56C-63S/4	not available	SK03-56C	SK03-W	16	3.2	630	21	1.1	470	
16	630	2.5	108.72	SK13-63S/4	not available	SK13-56C-63S/4	not available	SK13-56C	SK13-W	16	3.2	630	21	1.1	470	
14	715	1.3	124.62	SK03-63S/4	not available	SK03-56C-63S/4	not available	SK03-56C	SK03-W	14	2.8	715	19	0.93	540	
14	715	1.7	107.65	SK273-63S/4	not available	SK273-56C-63S/4	not available	SK273-56C	SK273-W	14	2.8	715	19	0.93	540	
13	780	1.7	132.45	SK13-63S/4	not available	SK13-56C-63S/4	not available	SK13-56C	SK13-W	13	2.6	780	17	0.86	585	
13	780	2.5	127.40	SK373-63S/4	not available	SK373-56C-63S/4	not available	SK373-56C	SK373-W	13	2.6	780	17	0.86	585	
12	840	1.5	127.79	SK273-63S/4	not available	SK273-56C-63S/4	not available	SK273-56C	SK273-W	12	2.4	840	16	0.8	630	
12	840	3.2	134.32	SK473-63S/4	not available	SK473-56C-63S/4	not available	SK473-56C	SK473-W	12	2.4	840	16	0.8	630	
11	920	1.1	151.33	SK03-63S/4	not available	SK03-56C-63S/4	not available	SK03-56C	SK03-W	11	2.2	920	15	0.73	690	
11	920	1.6	159.36	SK13-63S/4	not available	SK13-56C-63S/4	not available	SK13-56C	SK13-W	11	2.2	920	15	0.73	690	
11	920	2.8	151.44	SK23-63S/4	not available	SK23-56C-63S/4	not available	SK23-56C	SK23-W	11	2.2	920	15	0.73	690	
11	920	3.1	152.33	SK473-63S/4	not available	SK473-56C-63S/4	not available	SK473-56C	SK473-W	11	2.2	920	15	0.73	690	
10	1010	1.9	161.01	SK373-63S/4	not available	SK373-56C-63S/4	not available	SK373-56C	SK373-W	10	2	1010	13	0.67	755	



1/4 hp Gearmotors & Speed Reducers



Output Speed n ₂ [rpm]	Output Torque T ₂ [lb-in]	SF f _B	Gear Ratio i	Integral Gearmotor		Gearmotor C-Face		Reducer		5:1 Inverter Duty			20:1 Inverter Duty		
				Standard Motor	EE Motor	Standard Motor	EE Motor	C-Face Input	Solid Input Shaft	n ₆₀ [rpm]	n ₁₂ [rpm]	T ₆₀ [lb-in]	n ₈₀ [rpm]	n ₄ [rpm]	T ₈₀ [lb-in]
1244	12	36.9	1.35	SK11E-63L/4	not available	SK11E-56C-63L/4	not available	SK11E-56C	SK11E-W	1244	249	12	1655	83	9
1091	14	31.6	1.54	SK11E-63L/4	not available	SK11E-56C-63L/4	not available	SK11E-56C	SK11E-W	1091	218	14	1450	73	11
928	17	15.5	1.81	SK11E-63L/4	not available	SK11E-56C-63S/4	not available	SK11E-56C	SK11E-W	928	186	17	1235	62	13
862	19	13.9	1.93	SK172-63L/4	not available	SK172-56C-63L/4	not available	SK172-56C	SK172-W	862	172	19	1145	57	14
824	19	15	2.04	SK11E-63L/4	not available	SK11E-56C-63L/4	not available	SK11E-56C	SK11E-W	824	165	19	1095	55	14
745	21	13.4	2.23	SK172-63L/4	not available	SK172-56C-63L/4	not available	SK172-56C	SK172-W	745	149	21	991	50	16
724	22	14.4	2.32	SK11E-63L/4	not available	SK11E-56C-63L/4	not available	SK11E-56C	SK11E-W	724	145	22	963	48	17
635	25	13.9	2.62	SK172-63L/4	not available	SK172-56C-63L/4	not available	SK172-56C	SK172-W	635	127	25	845	42	19
594	27	13.5	2.83	SK11E-63L/4	not available	SK11E-56C-63L/4	not available	SK11E-56C	SK11E-W	594	119	27	790	40	20
569	27	13.9	2.95	SK02-63L/4	not available	SK02-56C-63L/4	not available	SK02-56C	SK02-W	569	114	27	757	38	20
548	29	13.4	3.03	SK172-63L/4	not available	SK172-56C-63L/4	not available	SK172-56C	SK172-W	548	110	29	729	36	22
528	30	11.9	3.18	SK11E-63L/4	not available	SK11E-56C-63L/4	not available	SK11E-56C	SK11E-W	528	106	30	702	35	23
497	32	13.4	3.38	SK02-63L/4	not available	SK02-56C-63L/4	not available	SK02-56C	SK02-W	497	99	32	661	33	24
493	32	13.3	3.37	SK172-63L/4	not available	SK172-56C-63L/4	not available	SK172-56C	SK172-W	493	99	32	656	33	24
467	34	11	3.60	SK11E-63L/4	not available	SK11E-56C-63L/4	not available	SK11E-56C	SK11E-W	467	93	34	621	31	26
432	36	12.7	3.89	SK02-63L/4	not available	SK02-56C-63L/4	not available	SK02-56C	SK02-W	432	86	36	575	29	27
426	37	12	3.90	SK172-63L/4	not available	SK172-56C-63L/4	not available	SK172-56C	SK172-W	426	85	37	567	28	28
408	39	12.1	4.07	SK172-63L/4	not available	SK172-56C-63L/4	not available	SK172-56C	SK172-W	408	82	39	543	27	29
398	40	11.6	4.22	SK02-63L/4	not available	SK02-56C-63L/4	not available	SK02-56C	SK02-W	398	80	40	529	26	30
353	44	10.9	4.71	SK172-63L/4	not available	SK172-56C-63L/4	not available	SK172-56C	SK172-W	353	71	44	469	23	33
349	45	11.2	4.82	SK02-63L/4	not available	SK02-56C-63L/4	not available	SK02-56C	SK02-W	349	70	45	464	23	34
319	50	10	5.21	SK172-63L/4	not available	SK172-56C-63L/4	not available	SK172-56C	SK172-W	319	64	50	424	21	38
302	52	9.7	5.57	SK02-63L/4	not available	SK02-56C-63L/4	not available	SK02-56C	SK02-W	302	60	52	402	20	39
289	55	9.2	5.74	SK172-63L/4	not available	SK172-56C-63L/4	not available	SK172-56C	SK172-W	289	58	55	384	19	41
275	58	8.8	6.10	SK02-63L/4	not available	SK02-56C-63L/4	not available	SK02-56C	SK02-W	275	55	58	366	18	44
262	60	8.5	6.34	SK172-63L/4	not available	SK172-56C-63L/4	not available	SK172-56C	SK172-W	262	52	60	348	17	45
244	65	8.4	6.89	SK02-63L/4	not available	SK02-56C-63L/4	not available	SK02-56C	SK02-W	244	49	65	325	16	49
240	65	8.2	6.94	SK172-63L/4	not available	SK172-56C-63L/4	not available	SK172-56C	SK172-W	240	48	65	319	16	49
216	73	7.5	7.68	SK172-63L/4	not available	SK172-56C-63L/4	not available	SK172-56C	SK172-W	216	43	73	287	14	55
215	73	7.6	7.80	SK02-63L/4	not available	SK02-56C-63L/4	not available	SK02-56C	SK02-W	215	43	73	286	14	55
205	77	7.3	8.19	SK02-63L/4	not available	SK02-56C-63L/4	not available	SK02-56C	SK02-W	205	41	77	273	14	58
202	78	8.2	8.25	SK172-63L/4	not available	SK172-56C-63L/4	not available	SK172-56C	SK172-W	202	40	78	269	13	59
184	86	2.4	9.11	SK11E-63L/4	not available	SK11E-56C-63L/4	not available	SK11E-56C	SK11E-W	184	37	86	245	12	65
181	87	6.6	9.28	SK02-63L/4	not available	SK02-56C-63L/4	not available	SK02-56C	SK02-W	181	36	87	241	12	65
178	89	7.5	9.35	SK172-63L/4	not available	SK172-56C-63L/4	not available	SK172-56C	SK172-W	178	36	89	237	12	67
169	97	6.1	9.95	SK02-63L/4	not available	SK02-56C-63L/4	not available	SK02-56C	SK02-W	169	34	97	225	11	73
166	97	7.2	10.07	SK172-63L/4	not available	SK172-56C-63L/4	not available	SK172-56C	SK172-W	166	33	97	221	11	73
149	106	5.6	11.27	SK02-63L/4	not available	SK02-56C-63L/4	not available	SK02-56C	SK02-W	149	30	106	198	9.9	80
146	106	6.6	11.41	SK172-63L/4	not available	SK172-56C-63L/4	not available	SK172-56C	SK172-W	146	29	106	194	9.7	80
137	115	6.5	12.16	SK172-63L/4	not available	SK172-56C-63L/4	not available	SK172-56C	SK172-W	137	27	115	182	9.1	86
131	124	5.1	12.82	SK02-63L/4	not available	SK02-56C-63L/4	not available	SK02-56C	SK02-W	131	26	124	174	8.7	93
128	124	6.1	12.98	SK172-63L/4	not available	SK172-56C-63L/4	not available	SK172-56C	SK172-W	128	26	124	170	8.5	93
113	142	5.4	14.84	SK172-63L/4	not available	SK172-56C-63L/4	not available	SK172-56C	SK172-W	113	23	142	150	7.5	107
105	150	4.2	15.95	SK02-63L/4	not available	SK02-56C-63L/4	not available	SK02-56C	SK02-W	105	21	150	140	7	113
96	168	4.6	17.17	SK172-63L/4	not available	SK172-56C-63L/4	not available	SK172-56C	SK172-W	96	19	168	128	6.4	126
92	168	4.4	17.87	SK172-63L/4	not available	SK172-56C-63L/4	not available	SK172-56C	SK172-W	92	18	168	122	6.1	126
82	195	3.4	20.59	SK02-63L/4	not available	SK02-56C-63L/4	not available	SK02-56C	SK02-W	82	16	195	109	5.5	146
77	205	3.8	21.59	SK172-63L/4	not available	SK172-56C-63L/4	not available	SK172-56C	SK172-W	77	15	205	102	5.1	153



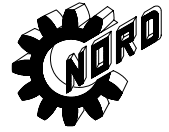
1/4 hp Gearmotors & Speed Reducers



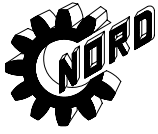
Output Speed n ₂ [rpm]	Output Torque T ₂ [lb-in]	SF f _B	Gear Ratio i	Integral Gearmotor		Gearmotor C-Face		Reducer		5:1 Inverter Duty			20:1 Inverter Duty		
				Standard Motor	EE Motor	Standard Motor	EE Motor	C-Face Input	Solid Input Shaft	[60Hz]	[12Hz]	T ₆₀ [lb-in]	[80Hz]	[4Hz]	T ₈₀ [lb-in]
										n ₆₀ [rpm]	n ₁₂ [rpm]		n ₈₀ [rpm]	n ₄ [rpm]	
73	210	3.2	23.13	SK02-63L/4	not available	SK02-56C-63L/4	not available	SK02-56C	SK02-W	73	15	210	97	4.9	159
70	220	3.5	23.91	SK172-63L/4	not available	SK172-56C-63L/4	not available	SK172-56C	SK172-W	70	14	220	93	4.7	166
61	255	3	27.52	SK02-63L/4	not available	SK02-56C-63L/4	not available	SK02-56C	SK02-W	61	12	255	81	4.1	193
60	265	2.9	27.61	SK172-63L/4	not available	SK172-56C-63L/4	not available	SK172-56C	SK172-W	60	12	265	80	4	200
56	285	2.8	29.10	SK172-63L/4	not available	SK172-56C-63L/4	not available	SK172-56C	SK172-W	56	11	285	74	3.7	210
53	300	2.6	30.58	SK172-63L/4	not available	SK172-56C-63L/4	not available	SK172-56C	SK172-W	53	11	300	70	3.5	225
50	320	2.7	33.42	SK02-63L/4	not available	SK02-56C-63L/4	not available	SK02-56C	SK02-W	50	10	320	67	3.3	240
44	355	2.2	37.21	SK172-63L/4	not available	SK172-56C-63L/4	not available	SK172-56C	SK172-W	44	8.8	355	59	2.9	265
42	370	3.3	39.78	SK272-63L/4	not available	SK272-56C-63L/4	not available	SK272-56C	SK272-W	42	8.4	370	56	2.8	280
40	400	2.2	41.58	SK02-63L/4	not available	SK02-56C-63L/4	not available	SK02-56C	SK02-W	40	8	400	53	2.7	300
40	400	3.1	41.78	SK273-63L/4	not available	SK273-56C-63L/4	not available	SK273-56C	SK273-W	40	8	400	53	2.7	300
39	405	3.5	43.09	SK12-63L/4	not available	SK12-56C-63L/4	not available	SK12-56C	SK12-W	39	7.8	405	52	2.6	305
37	425	2.9	45.40	SK272-63L/4	not available	SK272-56C-63L/4	not available	SK272-56C	SK272-W	37	7.4	425	49	2.5	320
37	425	3.2	45.40	SK372-63L/4	not available	SK372-56C-63L/4	not available	SK372-56C	SK372-W	37	7.4	425	49	2.5	320
36	435	1.7	45.40	SK172-63L/4	not available	SK172-56C-63L/4	not available	SK172-56C	SK172-W	36	7.2	435	48	2.4	325
35	450	2.8	47.44	SK273-63L/4	not available	SK273-56C-63L/4	not available	SK273-56C	SK273-W	35	7	450	47	2.3	340
34	460	1.6	48.32	SK172-63L/4	not available	SK172-56C-63L/4	not available	SK172-56C	SK172-W	34	6.8	460	45	2.3	345
32	495	2.5	51.23	SK272-63L/4	not available	SK272-56C-63L/4	not available	SK272-56C	SK272-W	32	6.4	495	43	2.1	370
32	495	3.1	51.23	SK372-63L/4	not available	SK372-56C-63L/4	not available	SK372-56C	SK372-W	32	6.4	495	43	2.1	370
31	505	1.5	53.68	SK02-63L/4	not available	SK02-56C-63L/4	not available	SK02-56C	SK02-W	31	6.2	505	41	2.1	380
31	505	3.1	53.84	SK12-63L/4	not available	SK12-56C-63L/4	not available	SK12-56C	SK12-W	31	6.2	505	41	2.1	380
31	505	5.2	53.42	SK473-63L/4	not available	SK473-56C-63L/4	not available	SK473-56C	SK473-W	31	6.2	505	41	2.1	380
30	520	2.4	53.98	SK273-63L/4	not available	SK273-56C-63L/4	not available	SK273-56C	SK273-W	30	6	520	40	2	390
29	540	2.1	57.38	SK272-63L/4	not available	SK272-56C-63L/4	not available	SK272-56C	SK272-W	29	5.8	540	39	1.9	405
29	540	4.9	57.96	SK473-63L/4	not available	SK473-56C-63L/4	not available	SK473-56C	SK473-W	29	5.8	540	39	1.9	405
28	565	1.3	58.96	SK172-63L/4	not available	SK172-56C-63L/4	not available	SK172-56C	SK172-W	28	5.6	565	37	1.9	425
27	585	1.3	61.27	SK02-63L/4	not available	SK02-56C-63L/4	not available	SK02-56C	SK02-W	27	5.4	585	36	1.8	440
27	585	2.3	61.35	SK12-63L/4	not available	SK12-56C-63L/4	not available	SK12-56C	SK12-W	27	5.4	585	36	1.8	440
26	610	1.6	65.50	SK03-63L/4	not available	SK03-56C-63L/4	not available	SK03-56C	SK03-W	26	5.2	610	35	1.7	460
26	610	2	61.73	SK273-63L/4	not available	SK273-56C-63L/4	not available	SK273-56C	SK273-W	26	5.2	610	35	1.7	460
26	610	3.2	63.29	SK373-63L/4	not available	SK373-56C-63L/4	not available	SK373-56C	SK373-W	26	5.2	610	35	1.7	460
26	610	4.4	64.10	SK473-63L/4	not available	SK473-56C-63L/4	not available	SK473-56C	SK473-W	26	5.2	610	35	1.7	460
26	610	5	64.80	SK23-63L/4	not available	SK23-56C-63L/4	not available	SK23-56C	SK23-W	26	5.2	610	35	1.7	460
25	630	1.8	64.75	SK272-63L/4	not available	SK272-56C-63L/4	not available	SK272-56C	SK272-W	25	5	630	33	1.7	470
25	630	2.8	68.40	SK13-63L/4	not available	SK13-56C-63L/4	not available	SK13-56C	SK13-W	25	5	630	33	1.7	470
25	630	3.1	66.38	SK373-63L/4	not available	SK373-56C-63L/4	not available	SK373-56C	SK373-W	25	5	630	33	1.7	470
25	630	4.2	65.56	SK472-63L/4	not available	SK472-56C-63L/4	not available	SK472-56C	SK472-W	25	5	630	33	1.7	470
23	680	1.1	73.06	SK02-63L/4	not available	SK02-56C-63L/4	not available	SK02-56C	SK02-W	23	4.6	680	31	1.5	510
23	680	1.8	72.63	SK12-63L/4	not available	SK12-56C-63L/4	not available	SK12-56C	SK12-W	23	4.6	680	31	1.5	510
23	680	1.8	71.41	SK273-63L/4	not available	SK273-56C-63L/4	not available	SK273-56C	SK273-W	23	4.6	680	31	1.5	510
23	680	2.8	73.94	SK373-63L/4	not available	SK373-56C-63L/4	not available	SK373-56C	SK373-W	23	4.6	680	31	1.5	510
23	680	3.9	72.18	SK473-63L/4	not available	SK473-56C-63L/4	not available	SK473-56C	SK473-W	23	4.6	680	31	1.5	510
22	715	4.2	78.05	SK23-63L/4	not available	SK23-56C-63L/4	not available	SK23-56C	SK23-W	22	4.4	715	29	1.5	540
21	750	1.2	81.50	SK03-63L/4	not available	SK03-56C-63L/4	not available	SK03-56C	SK03-W	21	4.2	750	28	1.4	565
20	790	1.6	82.89	SK273-63L/4	not available	SK273-56C-63L/4	not available	SK273-56C	SK273-W	20	4	790	27	1.3	590
20	790	2	85.47	SK13-63L/4	not available	SK13-56C-63L/4	not available	SK13-56C	SK13-W	20	4	790	27	1.3	590
20	790	3.4	82.08	SK473-63L/4	not available	SK473-56C-63L/4	not available	SK473-56C	SK473-W	20	4	790	27	1.3	590
19	830	2.3	85.47	SK373-63L/4	not available	SK373-56C-63L/4	not available	SK373-56C	SK373-W	19	3.8	830	25	1.3	625
19	830	3.6	88.45	SK23-63L/4	not available	SK23-56C-63L/4	not available	SK23-56C	SK23-W	19	3.8	830	25	1.3	625



1/4 hp Gearmotors & Speed Reducers



Output Speed	Output Torque	SF	Gear Ratio	Integral Gearmotor		Gearmotor C-Face		Reducer		5:1 Inverter Duty			20:1 Inverter Duty		
				Standard	EE Motor	Standard	EE Motor	C-Face	Solid	[60Hz]	[12Hz]		[80Hz]	[4Hz]	
				Motor		Motor		Input	Input	n ₆₀	n ₁₂	T ₆₀	n ₈₀	n ₄	T ₈₀
[rpm]	[lb-in]	f _B	i					Shaft		[rpm]	[rpm]	[lb-in]	[rpm]	[rpm]	[lb-in]
17	930	2.1	98.94	SK373-63L/4	not available	SK373-56C-63L/4	not available	SK373-56C	SK373-W	17	3.4	930	23	1.1	695
17	930	2.9	95.90	SK473-63L/4	not available	SK473-56C-63L/4	not available	SK473-56C	SK473-W	17	3.4	930	23	1.1	695
17	930	3.2	100.60	SK23-63L/4	not available	SK23-56C-63L/4	not available	SK23-56C	SK23-W	17	3.4	930	23	1.1	695
16	980	2.7	106.70	SK473-63L/4	not available	SK473-56C-63L/4	not available	SK473-56C	SK473-W	16	3.2	980	21	1.1	735
15	1050	1.5	108.72	SK13-63L/4	not available	SK13-56C-63L/4	not available	SK13-56C	SK13-W	15	3	1050	20	1	790
14	1120	1.1	107.65	SK273-63L/4	not available	SK273-56C-63L/4	not available	SK273-56C	SK273-W	14	2.8	1120	19	0.93	840
14	1120	2.4	118.30	SK473-63L/4	not available	SK473-56C-63L/4	not available	SK473-56C	SK473-W	14	2.8	1120	19	0.93	840
14	1120	2.7	124.17	SK23-63L/4	not available	SK23-56C-63L/4	not available	SK23-56C	SK23-W	14	2.8	1120	19	0.93	840
13	1210	1.1	132.45	SK13-63L/4	not available	SK13-56C-63L/4	not available	SK13-56C	SK13-W	13	2.6	1210	17	0.86	910
13	1210	1.6	127.40	SK373-63L/4	not available	SK373-56C-63L/4	not available	SK373-56C	SK373-W	13	2.6	1210	17	0.86	910
13	1210	4.8	134.02	SK33N-63L/4	not available	SK33N-56C-63L/4	not available	SK33N-56C	SK33N-W	13	2.6	1210	17	0.86	910
12	1310	2	134.32	SK473-63L/4	not available	SK473-56C-63L/4	not available	SK473-56C	SK473-W	12	2.4	1310	16	0.8	980
11	1430	1	159.36	SK13-63L/4	not available	SK13-56C-63L/4	not available	SK13-56C	SK13-W	11	2.2	1430	15	0.73	1080
11	1430	1.8	151.44	SK23-63L/4	not available	SK23-56C-63L/4	not available	SK23-56C	SK23-W	11	2.2	1430	15	0.73	1080
11	1430	2	152.33	SK473-63L/4	not available	SK473-56C-63L/4	not available	SK473-56C	SK473-W	11	2.2	1430	15	0.73	1080
10	1580	1.2	161.01	SK373-63L/4	not available	SK373-56C-63L/4	not available	SK373-56C	SK373-W	10	2	1580	13	0.67	1180
10	1580	3.8	166.49	SK33N-63L/4	not available	SK33N-56C-63L/4	not available	SK33N-56C	SK33N-W	10	2	1580	13	0.67	1180



1/3 hp Gearmotors & Speed Reducers



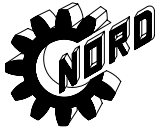
Output Speed n_2 [rpm]	Output Torque T_2 [lb-in]	SF f_B	Gear Ratio i	Integral Gearmotor		Gearmotor C-Face		Reducer		5:1 Inverter Duty			20:1 Inverter Duty		
				Standard Motor	EE Motor	Standard Motor	EE Motor	C-Face Input	Solid Input Shaft	[60Hz]	[12Hz]	T_{60} [lb-in]	[80Hz]	[4Hz]	T_{80} [lb-in]
										n_{60} [rpm]	n_{12} [rpm]		n_{80} [rpm]	n_4 [rpm]	
1267	16	27.7	1.35	SK11E-71S/4	not available	SK11E-56C-71S/4	not available	SK11E-56C	SK11E-W	1267	253	16	1685	84	12
1110	19	23.3	1.54	SK11E-71S/4	not available	SK11E-56C-71S/4	not available	SK11E-56C	SK11E-W	1110	222	19	1475	74	14
945	22	11.9	1.81	SK11E-71S/4	not available	SK11E-56C-63L/4	not available	SK11E-56C	SK11E-W	945	189	22	1255	63	17
862	24	10.5	1.93	SK172-71S/4	not available	SK172-56C-71S/4	not available	SK172-56C	SK172-W	862	172	24	1145	57	18
838	25	11.5	2.04	SK11E-71S/4	not available	SK11E-56C-71S/4	not available	SK11E-56C	SK11E-W	838	168	25	1115	56	19
745	28	10.1	2.23	SK172-71S/4	not available	SK172-56C-71S/4	not available	SK172-56C	SK172-W	745	149	28	991	50	21
737	28	11.1	2.32	SK11E-71S/4	not available	SK11E-56C-71S/4	not available	SK11E-56C	SK11E-W	737	147	28	980	49	21
635	33	10.5	2.62	SK172-71S/4	not available	SK172-56C-71S/4	not available	SK172-56C	SK172-W	635	127	33	845	42	25
604	35	10.4	2.83	SK11E-71S/4	not available	SK11E-56C-71S/4	not available	SK11E-56C	SK11E-W	604	121	35	803	40	26
580	36	10.8	2.95	SK02-71S/4	not available	SK02-56C-71S/4	not available	SK02-56C	SK02-W	580	116	36	771	39	27
548	38	10.1	3.03	SK172-71S/4	not available	SK172-56C-71S/4	not available	SK172-56C	SK172-W	548	110	38	729	36	29
538	39	9.2	3.18	SK11E-71S/4	not available	SK11E-56C-71S/4	not available	SK11E-56C	SK11E-W	538	108	39	716	36	29
506	41	10.3	3.38	SK02-71S/4	not available	SK02-56C-71S/4	not available	SK02-56C	SK02-W	506	101	41	673	34	31
493	42	10.1	3.37	SK172-71S/4	not available	SK172-56C-71S/4	not available	SK172-56C	SK172-W	493	99	42	656	33	32
475	43	8.5	3.60	SK11E-71S/4	not available	SK11E-56C-71S/4	not available	SK11E-56C	SK11E-W	475	95	43	632	32	32
440	47	9.8	3.89	SK02-71S/4	not available	SK02-56C-71S/4	not available	SK02-56C	SK02-W	440	88	47	585	29	35
426	49	9.1	3.90	SK172-71S/4	not available	SK172-56C-71S/4	not available	SK172-56C	SK172-W	426	85	49	567	28	37
408	51	9.2	4.07	SK172-71S/4	not available	SK172-56C-71S/4	not available	SK172-56C	SK172-W	408	82	51	543	27	38
405	51	9	4.22	SK02-71S/4	not available	SK02-56C-71S/4	not available	SK02-56C	SK02-W	405	81	51	539	27	38
355	58	8.6	4.82	SK02-71S/4	not available	SK02-56C-71S/4	not available	SK02-56C	SK02-W	355	71	58	472	24	44
353	59	8.3	4.71	SK172-71S/4	not available	SK172-56C-71S/4	not available	SK172-56C	SK172-W	353	71	59	469	23	44
319	65	7.6	5.21	SK172-71S/4	not available	SK172-56C-71S/4	not available	SK172-56C	SK172-W	319	64	65	424	21	49
307	68	7.4	5.57	SK02-71S/4	not available	SK02-56C-71S/4	not available	SK02-56C	SK02-W	307	61	68	408	20	51
289	72	7	5.74	SK172-71S/4	not available	SK172-56C-71S/4	not available	SK172-56C	SK172-W	289	58	72	384	19	54
280	74	6.8	6.10	SK02-71S/4	not available	SK02-56C-71S/4	not available	SK02-56C	SK02-W	280	56	74	372	19	56
262	80	6.5	6.34	SK172-71S/4	not available	SK172-56C-71S/4	not available	SK172-56C	SK172-W	262	52	80	348	17	60
248	84	6.4	6.89	SK02-71S/4	not available	SK02-56C-71S/4	not available	SK02-56C	SK02-W	248	50	84	330	16	63
240	87	6.2	6.94	SK172-71S/4	not available	SK172-56C-71S/4	not available	SK172-56C	SK172-W	240	48	87	319	16	65
219	97	5.9	7.80	SK02-71S/4	not available	SK02-56C-71S/4	not available	SK02-56C	SK02-W	219	44	97	291	15	73
216	97	5.7	7.68	SK172-71S/4	not available	SK172-56C-71S/4	not available	SK172-56C	SK172-W	216	43	97	287	14	73
209	97	5.6	8.19	SK02-71S/4	not available	SK02-56C-71S/4	not available	SK02-56C	SK02-W	209	42	97	278	14	73
202	106	6.2	8.25	SK172-71S/4	not available	SK172-56C-71S/4	not available	SK172-56C	SK172-W	202	40	106	269	13	80
188	115	1.8	9.11	SK11E-71S/4	not available	SK11E-56C-71S/4	not available	SK11E-56C	SK11E-W	188	38	115	250	13	86
184	115	5.1	9.28	SK02-71S/4	not available	SK02-56C-71S/4	not available	SK02-56C	SK02-W	184	37	115	245	12	86
178	115	5.7	9.35	SK172-71S/4	not available	SK172-56C-71S/4	not available	SK172-56C	SK172-W	178	36	115	237	12	86
172	124	4.7	9.95	SK02-71S/4	not available	SK02-56C-71S/4	not available	SK02-56C	SK02-W	172	34	124	229	11	93
168	124	2.9	10.20	SK11E-71S/4	not available	SK11E-56C-71S/4	not available	SK11E-56C	SK11E-W	168	34	124	223	11	93
166	124	5.4	10.07	SK172-71S/4	not available	SK172-56C-71S/4	not available	SK172-56C	SK172-W	166	33	124	221	11	93
152	133	4.3	11.27	SK02-71S/4	not available	SK02-56C-71S/4	not available	SK02-56C	SK02-W	152	30	133	202	10	100
146	142	5	11.41	SK172-71S/4	not available	SK172-56C-71S/4	not available	SK172-56C	SK172-W	146	29	142	194	9.7	107
137	150	5	12.16	SK172-71S/4	not available	SK172-56C-71S/4	not available	SK172-56C	SK172-W	137	27	150	182	9.1	113
133	159	4	12.82	SK02-71S/4	not available	SK02-56C-71S/4	not available	SK02-56C	SK02-W	133	27	159	177	8.8	119
128	159	4.6	12.98	SK172-71S/4	not available	SK172-56C-71S/4	not available	SK172-56C	SK172-W	128	26	159	170	8.5	119
113	186	4.1	14.84	SK172-71S/4	not available	SK172-56C-71S/4	not available	SK172-56C	SK172-W	113	23	186	150	7.5	140
107	195	3.3	15.95	SK02-71S/4	not available	SK02-56C-71S/4	not available	SK02-56C	SK02-W	107	21	195	142	7.1	146
96	210	3.5	17.17	SK172-71S/4	not available	SK172-56C-71S/4	not available	SK172-56C	SK172-W	96	19	210	128	6.4	159
92	230	3.3	17.87	SK172-71S/4	not available	SK172-56C-71S/4	not available	SK172-56C	SK172-W	92	18	230	122	6.1	173
83	250	2.6	20.59	SK02-71S/4	not available	SK02-56C-71S/4	not available	SK02-56C	SK02-W	83	17	250	110	5.5	186



1/3 hp Gearmotors & Speed Reducers



Output Speed n ₂ [rpm]	Output Torque T ₂ [lb-in]	SF f _B	Gear Ratio i	Integral Gearmotor		Gearmotor C-Face		Reducer		5:1 Inverter Duty			20:1 Inverter Duty		
				Standard Motor	EE Motor	Standard Motor	EE Motor	C-Face Input	Solid Input Shaft	[60Hz]	[12Hz]		[80Hz]	[4Hz]	
										n ₆₀ [rpm]	n ₁₂ [rpm]	T ₆₀ [lb-in]	n ₈₀ [rpm]	n ₄ [rpm]	T ₈₀ [lb-in]
77	275	2.8	21.59	SK172-71S/4	not available	SK172-56C-71S/4	not available	SK172-56C	SK172-W	77	15	275	102	5.1	205
74	285	2.5	23.13	SK02-71S/4	not available	SK02-56C-71S/4	not available	SK02-56C	SK02-W	74	15	285	98	4.9	210
70	300	2.7	23.91	SK172-71S/4	not available	SK172-56C-71S/4	not available	SK172-56C	SK172-W	70	14	300	93	4.7	225
62	335	2.3	27.52	SK02-71S/4	not available	SK02-56C-71S/4	not available	SK02-56C	SK02-W	62	12	335	82	4.1	250
60	345	2.2	27.61	SK172-71S/4	not available	SK172-56C-71S/4	not available	SK172-56C	SK172-W	60	12	345	80	4	260
56	370	2.1	29.10	SK172-71S/4	not available	SK172-56C-71S/4	not available	SK172-56C	SK172-W	56	11	370	74	3.7	280
53	390	1.9	30.58	SK172-71S/4	not available	SK172-56C-71S/4	not available	SK172-56C	SK172-W	53	11	390	70	3.5	290
53	390	3.2	31.17	SK272-71S/4	not available	SK272-56C-71S/4	not available	SK272-56C	SK272-W	53	11	390	70	3.5	290
52	400	3.1	32.11	SK273-71S/4	not available	SK273-56C-71S/4	not available	SK273-56C	SK273-W	52	10	400	69	3.5	300
51	405	2.1	33.42	SK02-71S/4	not available	SK02-56C-71S/4	not available	SK02-56C	SK02-W	51	10	405	68	3.4	305
49	425	3.1	35.07	SK12-71S/4	not available	SK12-56C-71S/4	not available	SK12-56C	SK12-W	49	9.8	425	65	3.3	320
47	445	2.8	35.26	SK272-71S/4	not available	SK272-56C-71S/4	not available	SK272-56C	SK272-W	47	9.4	445	63	3.1	330
46	450	2.7	36.54	SK273-71S/4	not available	SK273-56C-71S/4	not available	SK273-56C	SK273-W	46	9.2	450	61	3.1	340
44	470	1.6	37.21	SK172-71S/4	not available	SK172-56C-71S/4	not available	SK172-56C	SK172-W	44	8.8	470	59	2.9	350
42	495	2.5	39.78	SK272-71S/4	not available	SK272-56C-71S/4	not available	SK272-56C	SK272-W	42	8.4	495	56	2.8	370
41	505	1.7	41.58	SK02-71S/4	not available	SK02-56C-71S/4	not available	SK02-56C	SK02-W	41	8.2	505	55	2.7	380
40	520	2.4	41.78	SK273-71S/4	not available	SK273-56C-71S/4	not available	SK273-56C	SK273-W	40	8	520	53	2.7	390
40	520	2.8	43.09	SK12-71S/4	not available	SK12-56C-71S/4	not available	SK12-56C	SK12-W	40	8	520	53	2.7	390
37	565	2.2	45.40	SK272-71S/4	not available	SK272-56C-71S/4	not available	SK272-56C	SK272-W	37	7.4	565	49	2.5	425
37	565	4.6	45.90	SK22-71S/4	not available	SK22-56C-71S/4	not available	SK22-56C	SK22-W	37	7.4	565	49	2.5	425
36	575	1.3	45.40	SK172-71S/4	not available	SK172-56C-71S/4	not available	SK172-56C	SK172-W	36	7.2	575	48	2.4	430
35	595	2.1	47.44	SK273-71S/4	not available	SK273-56C-71S/4	not available	SK273-56C	SK273-W	35	7	595	47	2.3	445
34	610	1.2	48.32	SK172-71S/4	not available	SK172-56C-71S/4	not available	SK172-56C	SK172-W	34	6.8	610	45	2.3	460
34	610	3.2	49.42	SK373-71S/4	not available	SK373-56C-71S/4	not available	SK373-56C	SK373-W	34	6.8	610	45	2.3	460
32	645	1.2	53.68	SK02-71S/4	not available	SK02-56C-71S/4	not available	SK02-56C	SK02-W	32	6.4	645	43	2.1	485
32	645	1.9	51.23	SK272-71S/4	not available	SK272-56C-71S/4	not available	SK272-56C	SK272-W	32	6.4	645	43	2.1	485
32	645	2.4	53.84	SK12-71S/4	not available	SK12-56C-71S/4	not available	SK12-56C	SK12-W	32	6.4	645	43	2.1	485
32	645	2.4	51.23	SK372-71S/4	not available	SK372-56C-71S/4	not available	SK372-56C	SK372-W	32	6.4	645	43	2.1	485
31	675	4	53.42	SK473-71S/4	not available	SK473-56C-71S/4	not available	SK473-56C	SK473-W	31	6.2	675	41	2.1	505
31	675	4.2	55.28	SK22-71S/4	not available	SK22-56C-71S/4	not available	SK22-56C	SK22-W	31	6.2	675	41	2.1	505
30	690	1.8	53.98	SK273-71S/4	not available	SK273-56C-71S/4	not available	SK273-56C	SK273-W	30	6	690	40	2	520
30	690	2.8	55.65	SK373-71S/4	not available	SK373-56C-71S/4	not available	SK373-56C	SK373-W	30	6	690	40	2	520
29	715	1.6	57.38	SK272-71S/4	not available	SK272-56C-71S/4	not available	SK272-56C	SK272-W	29	5.8	715	39	1.9	540
29	715	3.7	57.96	SK473-71S/4	not available	SK473-56C-71S/4	not available	SK473-56C	SK473-W	29	5.8	715	39	1.9	540
28	745	1	58.96	SK172-71S/4	not available	SK172-56C-71S/4	not available	SK172-56C	SK172-W	28	5.6	745	37	1.9	555
28	745	1.1	61.27	SK02-71S/4	not available	SK02-56C-71S/4	not available	SK02-56C	SK02-W	28	5.6	745	37	1.9	555
28	745	1.8	61.35	SK12-71S/4	not available	SK12-56C-71S/4	not available	SK12-56C	SK12-W	28	5.6	745	37	1.9	555
26	795	1.2	65.50	SK03-71S/4	not available	SK03-56C-71S/4	not available	SK03-56C	SK03-W	26	5.2	795	35	1.7	600
26	795	1.5	61.73	SK273-71S/4	not available	SK273-56C-71S/4	not available	SK273-56C	SK273-W	26	5.2	795	35	1.7	600
26	795	2.4	63.29	SK373-71S/4	not available	SK373-56C-71S/4	not available	SK373-56C	SK373-W	26	5.2	795	35	1.7	600
26	795	3.3	64.10	SK473-71S/4	not available	SK473-56C-71S/4	not available	SK473-56C	SK473-W	26	5.2	795	35	1.7	600
26	795	3.8	64.80	SK23-71S/4	not available	SK23-56C-71S/4	not available	SK23-56C	SK23-W	26	5.2	795	35	1.7	600
25	830	1.4	64.75	SK272-71S/4	not available	SK272-56C-71S/4	not available	SK272-56C	SK272-W	25	5	830	33	1.7	625
25	830	2.1	68.40	SK13-71S/4	not available	SK13-56C-71S/4	not available	SK13-56C	SK13-W	25	5	830	33	1.7	625
25	830	2.3	66.38	SK373-71S/4	not available	SK373-56C-71S/4	not available	SK373-56C	SK373-W	25	5	830	33	1.7	625
25	830	3.2	65.56	SK472-71S/4	not available	SK472-56C-71S/4	not available	SK472-56C	SK472-W	25	5	830	33	1.7	625
24	870	1.4	72.63	SK12-71S/4	not available	SK12-56C-71S/4	not available	SK12-56C	SK12-W	24	4.8	870	32	1.6	650
24	870	2.7	69.81	SK22-71S/4	not available	SK22-56C-71S/4	not available	SK22-56C	SK22-W	24	4.8	870	32	1.6	650
23	900	1.4	71.41	SK273-71S/4	not available	SK273-56C-71S/4	not available	SK273-56C	SK273-W	23	4.6	900	31	1.5	675



1/3 hp

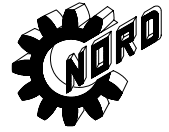


Gearmotors & Speed Reducers

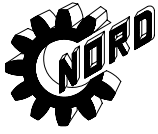
Output Speed n ₂ [rpm]	Output Torque T ₂ [lb-in]	SF f _B	Gear Ratio i	Integral Gearmotor		Gearmotor C-Face		Reducer		5:1 Inverter Duty			20:1 Inverter Duty		
				Standard Motor	EE Motor	Standard Motor	EE Motor	C-Face Input	Solid Input Shaft	[60Hz]	[12Hz]		[80Hz]	[4Hz]	
										n ₆₀ [rpm]	n ₁₂ [rpm]	T ₆₀ [lb-in]	n ₈₀ [rpm]	n ₄ [rpm]	T ₈₀ [lb-in]
23	900	2.2	73.94	SK373-71S/4	not available	SK373-56C-71S/4	not available	SK373-56C	SK373-W	23	4.6	900	31	1.5	675
23	900	2.9	72.18	SK473-71S/4	not available	SK473-56C-71S/4	not available	SK473-56C	SK473-W	23	4.6	900	31	1.5	675
22	950	3.2	78.05	SK23-71S/4	not available	SK23-56C-71S/4	not available	SK23-56C	SK23-W	22	4.4	950	29	1.5	710
20	1040	1.2	82.89	SK273-71S/4	not available	SK273-56C-71S/4	not available	SK273-56C	SK273-W	20	4	1040	27	1.3	785
20	1040	1.5	85.47	SK13-71S/4	not available	SK13-56C-71S/4	not available	SK13-56C	SK13-W	20	4	1040	27	1.3	785
20	1040	2.1	86.30	SK22-71S/4	not available	SK22-56C-71S/4	not available	SK22-56C	SK22-W	20	4	1040	27	1.3	785
20	1040	2.6	82.08	SK473-71S/4	not available	SK473-56C-71S/4	not available	SK473-56C	SK473-W	20	4	1040	27	1.3	785
20	1040	3.8	82.08	SK573-71S/4	not available	SK573-56C-71S/4	not available	SK573-56C	SK573-W	20	4	1040	27	1.3	785
19	1100	1.8	85.47	SK373-71S/4	not available	SK373-56C-71S/4	not available	SK373-56C	SK373-W	19	3.8	1100	25	1.3	820
19	1100	2.7	88.45	SK23-71S/4	not available	SK23-56C-71S/4	not available	SK23-56C	SK23-W	19	3.8	1100	25	1.3	820
19	1100	4.3	88.18	SK33N-71S/4	not available	SK33N-56C-71S/4	not available	SK33N-56C	SK33N-W	19	3.8	1100	25	1.3	820
17	1220	1.6	98.94	SK373-71S/4	not available	SK373-56C-71S/4	not available	SK373-56C	SK373-W	17	3.4	1220	23	1.1	920
17	1220	2.2	95.90	SK473-71S/4	not available	SK473-56C-71S/4	not available	SK473-56C	SK473-W	17	3.4	1220	23	1.1	920
17	1220	2.5	100.60	SK23-71S/4	not available	SK23-56C-71S/4	not available	SK23-56C	SK23-W	17	3.4	1220	23	1.1	920
17	1220	3.3	95.90	SK573-71S/4	not available	SK573-56C-71S/4	not available	SK573-56C	SK573-W	17	3.4	1220	23	1.1	920
17	1220	4.9	98.15	SK773-71S/4	not available	SK773-56C-71S/4	not available	SK773-56C	SK773-W	17	3.4	1220	23	1.1	920
16	1300	1.2	108.72	SK13-71S/4	not available	SK13-56C-71S/4	not available	SK13-56C	SK13-W	16	3.2	1300	21	1.1	980
16	1300	2	106.70	SK473-71S/4	not available	SK473-56C-71S/4	not available	SK473-56C	SK473-W	16	3.2	1300	21	1.1	980
16	1300	3.1	106.70	SK573-71S/4	not available	SK573-56C-71S/4	not available	SK573-56C	SK573-W	16	3.2	1300	21	1.1	980
15	1390	3.5	112.18	SK33N-71S/4	not available	SK33N-56C-71S/4	not available	SK33N-56C	SK33N-W	15	3	1390	20	1	1040
14	1490	1.8	118.30	SK473-71S/4	not available	SK473-56C-71S/4	not available	SK473-56C	SK473-W	14	2.8	1490	19	0.93	1120
14	1490	2	124.17	SK23-71S/4	not available	SK23-56C-71S/4	not available	SK23-56C	SK23-W	14	2.8	1490	19	0.93	1120
14	1490	2.7	118.30	SK573-71S/4	not available	SK573-56C-71S/4	not available	SK573-56C	SK573-W	14	2.8	1490	19	0.93	1120
13	1600	1.2	127.40	SK373-71S/4	not available	SK373-56C-71S/4	not available	SK373-56C	SK373-W	13	2.6	1600	17	0.86	1200
13	1600	3.6	134.02	SK33N-71S/4	not available	SK33N-56C-71S/4	not available	SK33N-56C	SK33N-W	13	2.6	1600	17	0.86	1200
12	1740	1.5	134.32	SK473-71S/4	not available	SK473-56C-71S/4	not available	SK473-56C	SK473-W	12	2.4	1740	16	0.8	1300
12	1740	2.3	134.32	SK573-71S/4	not available	SK573-56C-71S/4	not available	SK573-56C	SK573-W	12	2.4	1740	16	0.8	1300
12	1740	4.4	140.89	SK773-71S/4	not available	SK773-56C-71S/4	not available	SK773-56C	SK773-W	12	2.4	1740	16	0.8	1300
11	1890	1.4	151.44	SK23-71S/4	not available	SK23-56C-71S/4	not available	SK23-56C	SK23-W	11	2.2	1890	15	0.73	1420
11	1890	1.5	152.33	SK473-71S/4	not available	SK473-56C-71S/4	not available	SK473-56C	SK473-W	11	2.2	1890	15	0.73	1420
11	1890	2.1	152.33	SK573-71S/4	not available	SK573-56C-71S/4	not available	SK573-56C	SK573-W	11	2.2	1890	15	0.73	1420
10	2080	2.9	166.49	SK33N-71S/4	not available	SK33N-56C-71S/4	not available	SK33N-56C	SK33N-W	10	2	2080	13	0.67	1560



1/2 hp Gearmotors & Speed Reducers



Output Speed n ₂ [rpm]	Output Torque T ₂ [lb-in]	SF f _B	Gear Ratio i	Integral Gearmotor		Gearmotor C-Face		Reducer		5:1 Inverter Duty			20:1 Inverter Duty		
				Standard Motor	EE Motor	Standard Motor	EE Motor	C-Face Input	Solid Input Shaft	[60Hz]	[12Hz]		[80Hz]	[4Hz]	
												n ₆₀ [rpm]	n ₁₂ [rpm]	T ₆₀ [lb-in]	n ₈₀ [rpm]
1274	25	17.7	1.35	SK11E-71L/4	not available	SK11E-56C-71L/4	not available	SK11E-56C	SK11E-W	1274	255	25	1695	85	19
1117	28	15.8	1.54	SK11E-71L/4	not available	SK11E-56C-71L/4	not available	SK11E-56C	SK11E-W	1117	223	28	1485	74	21
950	33	7.9	1.81	SK11E-71L/4	not available	SK11E-56C-71S/4	not available	SK11E-56C	SK11E-W	950	190	33	1265	63	25
862	36	7	1.93	SK172-71L/4	not available	SK172-56C-71L/4	not available	SK172-56C	SK172-W	862	172	36	1145	57	27
843	37	7.7	2.04	SK11E-71L/4	not available	SK11E-56C-71L/4	not available	SK11E-56C	SK11E-W	843	169	37	1120	56	28
745	42	6.7	2.23	SK172-71L/4	not available	SK172-56C-71L/4	not available	SK172-56C	SK172-W	745	149	42	991	50	32
741	42	7.4	2.32	SK11E-71L/4	not available	SK11E-56C-71L/4	not available	SK11E-56C	SK11E-W	741	148	42	986	49	32
635	50	7	2.62	SK172-71L/4	not available	SK172-56C-71L/4	not available	SK172-56C	SK172-W	635	127	50	845	42	38
608	52	6.9	2.83	SK11E-71L/4	not available	SK11E-56C-71L/4	not available	SK11E-56C	SK11E-W	608	122	52	809	40	39
583	54	7.1	2.95	SK02-71L/4	not available	SK02-56C-71L/4	not available	SK02-56C	SK02-W	583	117	54	775	39	41
548	58	6.7	3.03	SK172-71L/4	not available	SK172-56C-71L/4	not available	SK172-56C	SK172-W	548	110	58	729	36	44
541	58	6.1	3.18	SK11E-71L/4	not available	SK11E-56C-71L/4	not available	SK11E-56C	SK11E-W	541	108	58	720	36	44
509	62	6.8	3.38	SK02-71L/4	not available	SK02-56C-71L/4	not available	SK02-56C	SK02-W	509	102	62	677	34	47
493	64	6.6	3.37	SK172-71L/4	not available	SK172-56C-71L/4	not available	SK172-56C	SK172-W	493	99	64	656	33	48
478	66	5.6	3.60	SK11E-71L/4	not available	SK11E-56C-71L/4	not available	SK11E-56C	SK11E-W	478	96	66	636	32	50
442	72	6.5	3.89	SK02-71L/4	not available	SK02-56C-71L/4	not available	SK02-56C	SK02-W	442	88	72	588	29	54
426	74	6	3.90	SK172-71L/4	not available	SK172-56C-71L/4	not available	SK172-56C	SK172-W	426	85	74	567	28	56
408	77	6	4.22	SK02-71L/4	not available	SK02-56C-71L/4	not available	SK02-56C	SK02-W	408	82	77	543	27	58
408	77	6.1	4.07	SK172-71L/4	not available	SK172-56C-71L/4	not available	SK172-56C	SK172-W	408	82	77	543	27	58
357	89	5.7	4.82	SK02-71L/4	not available	SK02-56C-71L/4	not available	SK02-56C	SK02-W	357	71	89	475	24	67
353	89	5.5	4.71	SK172-71L/4	not available	SK172-56C-71L/4	not available	SK172-56C	SK172-W	353	71	89	469	23	67
319	97	5	5.21	SK172-71L/4	not available	SK172-56C-71L/4	not available	SK172-56C	SK172-W	319	64	97	424	21	73
309	106	4.9	5.57	SK02-71L/4	not available	SK02-56C-71L/4	not available	SK02-56C	SK02-W	309	62	106	411	21	80
289	106	4.6	5.74	SK172-71L/4	not available	SK172-56C-71L/4	not available	SK172-56C	SK172-W	289	58	106	384	19	80
282	115	4.5	6.10	SK02-71L/4	not available	SK02-56C-71L/4	not available	SK02-56C	SK02-W	282	56	115	375	19	86
262	124	4.3	6.34	SK172-71L/4	not available	SK172-56C-71L/4	not available	SK172-56C	SK172-W	262	52	124	348	17	93
250	124	4.3	6.89	SK02-71L/4	not available	SK02-56C-71L/4	not available	SK02-56C	SK02-W	250	50	124	333	17	93
240	133	4.1	6.94	SK172-71L/4	not available	SK172-56C-71L/4	not available	SK172-56C	SK172-W	240	48	133	319	16	100
221	142	3.9	7.80	SK02-71L/4	not available	SK02-56C-71L/4	not available	SK02-56C	SK02-W	221	44	142	294	15	107
216	142	3.8	7.68	SK172-71L/4	not available	SK172-56C-71L/4	not available	SK172-56C	SK172-W	216	43	142	287	14	107
212	150	1.8	8.10	SK11E-71L/4	not available	SK11E-56C-71L/4	not available	SK11E-56C	SK11E-W	212	42	150	282	14	113
210	150	3.7	8.19	SK02-71L/4	not available	SK02-56C-71L/4	not available	SK02-56C	SK02-W	210	42	150	279	14	113
202	159	4.1	8.25	SK172-71L/4	not available	SK172-56C-71L/4	not available	SK172-56C	SK172-W	202	40	159	269	13	119
189	168	1.2	9.11	SK11E-71L/4	not available	SK11E-56C-71L/4	not available	SK11E-56C	SK11E-W	189	38	168	251	13	126
185	168	3.4	9.28	SK02-71L/4	not available	SK02-56C-71L/4	not available	SK02-56C	SK02-W	185	37	168	246	12	126
178	177	3.7	9.35	SK172-71L/4	not available	SK172-56C-71L/4	not available	SK172-56C	SK172-W	178	36	177	237	12	133
173	186	3.1	9.95	SK02-71L/4	not available	SK02-56C-71L/4	not available	SK02-56C	SK02-W	173	35	186	230	12	140
169	186	1.9	10.20	SK21E-71L/4	not available	SK21E-56C-71L/4	not available	SK21E-56C	SK21E-W	169	34	186	225	11	140
166	186	3.6	10.07	SK172-71L/4	not available	SK172-56C-71L/4	not available	SK172-56C	SK172-W	166	33	186	221	11	140
153	205	2.9	11.27	SK02-71L/4	not available	SK02-56C-71L/4	not available	SK02-56C	SK02-W	153	31	205	203	10	153
146	210	3.3	11.41	SK172-71L/4	not available	SK172-56C-71L/4	not available	SK172-56C	SK172-W	146	29	210	194	9.7	159
137	230	3.3	12.16	SK172-71L/4	not available	SK172-56C-71L/4	not available	SK172-56C	SK172-W	137	27	230	182	9.1	173
134	240	2.6	12.82	SK02-71L/4	not available	SK02-56C-71L/4	not available	SK02-56C	SK02-W	134	27	240	178	8.9	179
128	250	3.1	12.98	SK172-71L/4	not available	SK172-56C-71L/4	not available	SK172-56C	SK172-W	128	26	250	170	8.5	186
113	285	2.7	14.84	SK172-71L/4	not available	SK172-56C-71L/4	not available	SK172-56C	SK172-W	113	23	285	150	7.5	210
108	290	2.2	15.95	SK02-71L/4	not available	SK02-56C-71L/4	not available	SK02-56C	SK02-W	108	22	290	144	7.2	220
103	310	4.5	16.73	SK12-71L/4	not available	SK12-56C-71L/4	not available	SK12-56C	SK12-W	103	21	310	137	6.8	235
96	325	2.3	17.17	SK172-71L/4	not available	SK172-56C-71L/4	not available	SK172-56C	SK172-W	96	19	325	128	6.4	245
92	345	2.2	17.87	SK172-71L/4	not available	SK172-56C-71L/4	not available	SK172-56C	SK172-W	92	18	345	122	6.1	260



1/2 hp Gearmotors & Speed Reducers



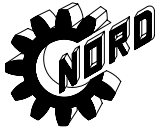
Output Speed n ₂ [rpm]	Output Torque T ₂ [lb-in]	SF f _B	Gear Ratio i	Integral Gearmotor		Gearmotor C-Face		Reducer		5:1 Inverter Duty			20:1 Inverter Duty		
				Standard Motor	EE Motor	Standard Motor	EE Motor	C-Face Input	Solid Input Shaft	[60Hz]	[12Hz]	T ₆₀ [lb-in]	[80Hz]	[4Hz]	T ₈₀ [lb-in]
										n ₆₀ [rpm]	n ₁₂ [rpm]		n ₈₀ [rpm]	n ₄ [rpm]	
92	345	4.2	18.79	SK12-71L/4	not available	SK12-56C-71L/4	not available	SK12-56C	SK12-W	92	18	345	122	6.1	260
84	370	1.7	20.59	SK02-71L/4	not available	SK02-56C-71L/4	not available	SK02-56C	SK02-W	84	17	370	112	5.6	280
84	370	3.3	20.06	SK272-71L/4	not available	SK272-56C-71L/4	not available	SK272-56C	SK272-W	84	17	370	112	5.6	280
81	390	3.8	21.28	SK12-71L/4	not available	SK12-56C-71L/4	not available	SK12-56C	SK12-W	81	16	390	108	5.4	290
77	405	1.9	21.59	SK172-71L/4	not available	SK172-56C-71L/4	not available	SK172-56C	SK172-W	77	15	405	102	5.1	305
74	425	1.6	23.13	SK02-71L/4	not available	SK02-56C-71L/4	not available	SK02-56C	SK02-W	74	15	425	98	4.9	320
71	445	1.8	24.39	SK02-71L/4	not available	SK02-56C-71L/4	not available	SK02-56C	SK02-W	71	14	445	94	4.7	330
71	445	2.8	23.70	SK273-71L/4	not available	SK273-56C-71L/4	not available	SK273-56C	SK273-W	71	14	445	94	4.7	330
70	450	1.8	23.91	SK172-71L/4	not available	SK172-56C-71L/4	not available	SK172-56C	SK172-W	70	14	450	93	4.7	340
66	480	2.5	25.92	SK12-71L/4	not available	SK12-56C-71L/4	not available	SK12-56C	SK12-W	66	13	480	88	4.4	360
62	505	1.5	27.52	SK02-71L/4	not available	SK02-56C-71L/4	not available	SK02-56C	SK02-W	62	12	505	82	4.1	380
61	515	2.4	27.10	SK273-71L/4	not available	SK273-56C-71L/4	not available	SK273-56C	SK273-W	61	12	515	81	4.1	385
60	520	1.4	27.61	SK172-71L/4	not available	SK172-56C-71L/4	not available	SK172-56C	SK172-W	60	12	520	80	4	390
59	530	2.1	29.15	SK12-71L/4	not available	SK12-56C-71L/4	not available	SK12-56C	SK12-W	59	12	530	78	3.9	400
59	530	2.3	28.34	SK273-71L/4	not available	SK273-56C-71L/4	not available	SK273-56C	SK273-W	59	12	530	78	3.9	400
58	540	1.5	29.61	SK02-71L/4	not available	SK02-56C-71L/4	not available	SK02-56C	SK02-W	58	12	540	77	3.9	405
56	565	1.4	29.10	SK172-71L/4	not available	SK172-56C-71L/4	not available	SK172-56C	SK172-W	56	11	565	74	3.7	425
55	575	2.5	31.19	SK12-71L/4	not available	SK12-56C-71L/4	not available	SK12-56C	SK12-W	55	11	575	73	3.7	430
53	595	1.3	30.58	SK172-71L/4	not available	SK172-56C-71L/4	not available	SK172-56C	SK172-W	53	11	595	70	3.5	445
53	595	2.1	31.17	SK272-71L/4	not available	SK272-56C-71L/4	not available	SK272-56C	SK272-W	53	11	595	70	3.5	445
52	610	2	32.11	SK273-71L/4	not available	SK273-56C-71L/4	not available	SK273-56C	SK273-W	52	10	610	69	3.5	460
51	620	1.4	33.42	SK02-71L/4	not available	SK02-56C-71L/4	not available	SK02-56C	SK02-W	51	10	620	68	3.4	465
50	630	3.1	33.34	SK373-71L/4	not available	SK373-56C-71L/4	not available	SK373-56C	SK373-W	50	10	630	67	3.3	470
49	645	2	35.07	SK12-71L/4	not available	SK12-56C-71L/4	not available	SK12-56C	SK12-W	49	9.8	645	65	3.3	485
47	675	1.8	35.26	SK272-71L/4	not available	SK272-56C-71L/4	not available	SK272-56C	SK272-W	47	9.4	675	63	3.1	505
47	675	2.6	35.26	SK372-71L/4	not available	SK372-56C-71L/4	not available	SK372-56C	SK372-W	47	9.4	675	63	3.1	505
46	680	1.8	36.54	SK273-71L/4	not available	SK273-56C-71L/4	not available	SK273-56C	SK273-W	46	9.2	680	61	3.1	510
45	700	2.3	38.31	SK12-71L/4	not available	SK12-56C-71L/4	not available	SK12-56C	SK12-W	45	9	700	60	3	525
44	715	1.1	37.21	SK172-71L/4	not available	SK172-56C-71L/4	not available	SK172-56C	SK172-W	44	8.8	715	59	2.9	540
44	715	2.7	37.54	SK373-71L/4	not available	SK373-56C-71L/4	not available	SK373-56C	SK373-W	44	8.8	715	59	2.9	540
42	750	1.7	39.78	SK272-71L/4	not available	SK272-56C-71L/4	not available	SK272-56C	SK272-W	42	8.4	750	56	2.8	565
42	750	2.4	39.78	SK372-71L/4	not available	SK372-56C-71L/4	not available	SK372-56C	SK372-W	42	8.4	750	56	2.8	565
41	770	1.1	41.58	SK02-71L/4	not available	SK02-56C-71L/4	not available	SK02-56C	SK02-W	41	8.2	770	55	2.7	580
41	770	3.5	41.03	SK473-71L/4	not available	SK473-56C-71L/4	not available	SK473-56C	SK473-W	41	8.2	770	55	2.7	580
40	790	1.6	41.78	SK273-71L/4	not available	SK273-56C-71L/4	not available	SK273-56C	SK273-W	40	8	790	53	2.7	590
40	790	1.8	43.09	SK12-71L/4	not available	SK12-56C-71L/4	not available	SK12-56C	SK12-W	40	8	790	53	2.7	590
38	830	2.3	42.69	SK373-71L/4	not available	SK373-56C-71L/4	not available	SK373-56C	SK373-W	38	7.6	830	51	2.5	625
37	850	1.5	45.40	SK272-71L/4	not available	SK272-56C-71L/4	not available	SK272-56C	SK272-W	37	7.4	850	49	2.5	640
37	850	1.6	45.40	SK372-71L/4	not available	SK372-56C-71L/4	not available	SK372-56C	SK372-W	37	7.4	850	49	2.5	640
37	850	3	45.90	SK22-71L/4	not available	SK22-56C-71L/4	not available	SK22-56C	SK22-W	37	7.4	850	49	2.5	640
37	850	3.1	45.26	SK473-71L/4	not available	SK473-56C-71L/4	not available	SK473-56C	SK473-W	37	7.4	850	49	2.5	640
36	880	1.8	47.87	SK12-71L/4	not available	SK12-56C-71L/4	not available	SK12-56C	SK12-W	36	7.2	880	48	2.4	655
35	900	1.4	47.44	SK273-71L/4	not available	SK273-56C-71L/4	not available	SK273-56C	SK273-W	35	7	900	47	2.3	675
35	900	3.1	46.75	SK472-71L/4	not available	SK472-56C-71L/4	not available	SK472-56C	SK472-W	35	7	900	47	2.3	675
34	930	2.1	49.42	SK373-71L/4	not available	SK373-56C-71L/4	not available	SK373-56C	SK373-W	34	6.8	930	45	2.3	695
32	980	1.3	51.23	SK272-71L/4	not available	SK272-56C-71L/4	not available	SK272-56C	SK272-W	32	6.4	980	43	2.1	735
32	980	1.6	53.84	SK12-71L/4	not available	SK12-56C-71L/4	not available	SK12-56C	SK12-W	32	6.4	980	43	2.1	735
32	980	1.6	51.23	SK372-71L/4	not available	SK372-56C-71L/4	not available	SK372-56C	SK372-W	32	6.4	980	43	2.1	735
32	980	2.7	51.70	SK472-71L/4	not available	SK472-56C-71L/4	not available	SK472-56C	SK472-W	32	6.4	980	43	2.1	735



1/2 hp Gearmotors & Speed Reducers



Output Speed n ₂	Output Torque T ₂ [lb-in]	SF f _B	Gear Ratio i	Integral Gearmotor		Gearmotor C-Face		Reducer		5:1 Inverter Duty			20:1 Inverter Duty		
				Standard Motor	EE Motor	Standard Motor	EE Motor	Input	Solid Input Shaft	[60Hz]	[12Hz]	T ₆₀ [lb-in]	[80Hz]	[4Hz]	T ₈₀ [lb-in]
										n ₆₀ [rpm]	n ₁₂ [rpm]		n ₈₀ [rpm]	n ₄ [rpm]	
32	980	2.7	50.97	SK473-71L/4	not available	SK473-56C-71L/4	not available	SK473-56C	SK473-W	32	6.4	980	43	2.1	735
31	1020	2.6	53.42	SK473-71L/4	not available	SK473-56C-71L/4	not available	SK473-56C	SK473-W	31	6.2	1020	41	2.1	765
31	1020	2.8	55.28	SK22-71L/4	not available	SK22-56C-71L/4	not available	SK22-56C	SK22-W	31	6.2	1020	41	2.1	765
30	1050	1.2	53.98	SK273-71L/4	not available	SK273-56C-71L/4	not available	SK273-56C	SK273-W	30	6	1050	40	2	790
30	1050	1.9	55.65	SK373-71L/4	not available	SK373-56C-71L/4	not available	SK373-56C	SK373-W	30	6	1050	40	2	790
29	1090	1.1	57.38	SK272-71L/4	not available	SK272-56C-71L/4	not available	SK272-56C	SK272-W	29	5.8	1090	39	1.9	820
29	1090	2.4	57.96	SK473-71L/4	not available	SK473-56C-71L/4	not available	SK473-56C	SK473-W	29	5.8	1090	39	1.9	820
28	1120	1.2	61.35	SK12-71L/4	not available	SK12-56C-71L/4	not available	SK12-56C	SK12-W	28	5.6	1120	37	1.9	840
27	1170	2.6	64.80	SK23-71L/4	not available	SK23-56C-71L/4	not available	SK23-56C	SK23-W	27	5.4	1170	36	1.8	880
26	1210	1	61.73	SK273-71L/4	not available	SK273-56C-71L/4	not available	SK273-56C	SK273-W	26	5.2	1210	35	1.7	910
26	1210	1.6	63.29	SK373-71L/4	not available	SK373-56C-71L/4	not available	SK373-56C	SK373-W	26	5.2	1210	35	1.7	910
26	1210	2.2	64.10	SK473-71L/4	not available	SK473-56C-71L/4	not available	SK473-56C	SK473-W	26	5.2	1210	35	1.7	910
25	1260	1.4	68.40	SK13-71L/4	not available	SK13-56C-71L/4	not available	SK13-56C	SK13-W	25	5	1260	33	1.7	940
25	1260	1.5	66.38	SK373-71L/4	not available	SK373-56C-71L/4	not available	SK373-56C	SK373-W	25	5	1260	33	1.7	940
25	1260	1.8	69.81	SK22-71L/4	not available	SK22-56C-71L/4	not available	SK22-56C	SK22-W	25	5	1260	33	1.7	940
25	1260	2.1	65.56	SK472-71L/4	not available	SK472-56C-71L/4	not available	SK472-56C	SK472-W	25	5	1260	33	1.7	940
24	1310	3.8	72.76	SK32-71L/4	not available	SK32-56C-71L/4	not available	SK32-56C	SK32-W	24	4.8	1310	32	1.6	980
24	1310	4.2	67.98	SK673-71L/4	not available	SK673-56C-71L/4	not available	SK673-56C	SK673-W	24	4.8	1310	32	1.6	980
23	1370	1.4	73.94	SK373-71L/4	not available	SK373-56C-71L/4	not available	SK373-56C	SK373-W	23	4.6	1370	31	1.5	1030
23	1370	1.9	72.18	SK473-71L/4	not available	SK473-56C-71L/4	not available	SK473-56C	SK473-W	23	4.6	1370	31	1.5	1030
23	1370	2.9	72.18	SK573-71L/4	not available	SK573-56C-71L/4	not available	SK573-56C	SK573-W	23	4.6	1370	31	1.5	1030
23	1370	5.6	75.95	SK773-71L/4	not available	SK773-56C-71L/4	not available	SK773-56C	SK773-W	23	4.6	1370	31	1.5	1030
22	1430	2.1	78.05	SK23-71L/4	not available	SK23-56C-71L/4	not available	SK23-56C	SK23-W	22	4.4	1430	29	1.5	1080
22	1430	3.9	75.38	SK673-71L/4	not available	SK673-56C-71L/4	not available	SK673-56C	SK673-W	22	4.4	1430	29	1.5	1080
21	1510	3	81.27	SK32-71L/4	not available	SK32-56C-71L/4	not available	SK32-56C	SK32-W	21	4.2	1510	28	1.4	1130
20	1580	1	85.47	SK13-71L/4	not available	SK13-56C-71L/4	not available	SK13-56C	SK13-W	20	4	1580	27	1.3	1180
20	1580	1.4	86.30	SK22-71L/4	not available	SK22-56C-71L/4	not available	SK22-56C	SK22-W	20	4	1580	27	1.3	1180
20	1580	1.7	82.08	SK473-71L/4	not available	SK473-56C-71L/4	not available	SK473-56C	SK473-W	20	4	1580	27	1.3	1180
20	1580	2.5	82.08	SK573-71L/4	not available	SK573-56C-71L/4	not available	SK573-56C	SK573-W	20	4	1580	27	1.3	1180
20	1580	3	88.18	SK33N-71L/4	not available	SK33N-56C-71L/4	not available	SK33N-56C	SK33N-W	20	4	1580	27	1.3	1180
19	1660	1.2	85.47	SK373-71L/4	not available	SK373-56C-71L/4	not available	SK373-56C	SK373-W	19	3.8	1660	25	1.3	1240
19	1660	1.8	88.45	SK23-71L/4	not available	SK23-56C-71L/4	not available	SK23-56C	SK23-W	19	3.8	1660	25	1.3	1240
17	1860	1	98.94	SK373-71L/4	not available	SK373-56C-71L/4	not available	SK373-56C	SK373-W	17	3.4	1860	23	1.1	1390
17	1860	1.4	95.90	SK473-71L/4	not available	SK473-56C-71L/4	not available	SK473-56C	SK473-W	17	3.4	1860	23	1.1	1390
17	1860	1.6	100.60	SK23-71L/4	not available	SK23-56C-71L/4	not available	SK23-56C	SK23-W	17	3.4	1860	23	1.1	1390
17	1860	2.1	95.90	SK573-71L/4	not available	SK573-56C-71L/4	not available	SK573-56C	SK573-W	17	3.4	1860	23	1.1	1390
17	1860	3.2	98.15	SK773-71L/4	not available	SK773-56C-71L/4	not available	SK773-56C	SK773-W	17	3.4	1860	23	1.1	1390
16	1970	1.3	106.70	SK473-71L/4	not available	SK473-56C-71L/4	not available	SK473-56C	SK473-W	16	3.2	1970	21	1.1	1480
16	1970	2	106.70	SK573-71L/4	not available	SK573-56C-71L/4	not available	SK573-56C	SK573-W	16	3.2	1970	21	1.1	1480
16	1970	2.8	103.46	SK673-71L/4	not available	SK673-56C-71L/4	not available	SK673-56C	SK673-W	16	3.2	1970	21	1.1	1480
15	2100	2.3	112.18	SK33N-71L/4	not available	SK33N-56C-71L/4	not available	SK33N-56C	SK33N-W	15	3	2100	20	1	1570
14	2250	1.2	118.30	SK473-71L/4	not available	SK473-56C-71L/4	not available	SK473-56C	SK473-W	14	2.8	2250	19	0.93	1690
14	2250	1.3	124.17	SK23-71L/4	not available	SK23-56C-71L/4	not available	SK23-56C	SK23-W	14	2.8	2250	19	0.93	1690
14	2250	1.8	118.30	SK573-71L/4	not available	SK573-56C-71L/4	not available	SK573-56C	SK573-W	14	2.8	2250	19	0.93	1690
13	2430	2.4	134.02	SK33N-71L/4	not available	SK33N-56C-71L/4	not available	SK33N-56C	SK33N-W	13	2.6	2430	17	0.86	1820
12	2630	1	134.32	SK473-71L/4	not available	SK473-56C-71L/4	not available	SK473-56C	SK473-W	12	2.4	2630	16	0.8	1970
12	2630	1.5	134.32	SK573-71L/4	not available	SK573-56C-71L/4	not available	SK573-56C	SK573-W	12	2.4	2630	16	0.8	1970
12	2630	2.9	140.89	SK773-71L/4	not available	SK773-56C-71L/4	not available	SK773-56C	SK773-W	12	2.4	2630	16	0.8	1970
11	2870	1	152.33	SK473-71L/4	not available	SK473-56C-71L/4	not available	SK473-56C	SK473-W	11	2.2	2870	15	0.73	2150



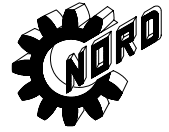
1/2 hp Gearmotors & Speed Reducers



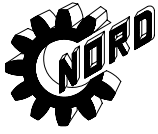
Output Speed n ₂	Output Torque T ₂ [lb-in]	SF f _B	Gear Ratio i	Integral Gearmotor		Gearmotor C-Face		Reducer		5:1 Inverter Duty			20:1 Inverter Duty		
				Standard Motor	EE Motor	Standard Motor	EE Motor	Input	Solid Input	n ₆₀	n ₁₂	T ₆₀	n ₈₀	n ₄	T ₈₀
									Shaft	[rpm]	[rpm]	[lb-in]	[rpm]	[rpm]	[lb-in]
11	2870	1.4	152.33	SK573-71L/4	not available	SK573-56C-71L/4	not available	SK573-56C	SK573-W	11	2.2	2870	15	0.73	2150
11	2870	1.9	146.13	SK673-71L/4	not available	SK673-56C-71L/4	not available	SK673-56C	SK673-W	11	2.2	2870	15	0.73	2150
10	3150	1.9	166.49	SK33N-71L/4	not available	SK33N-56C-71L/4	not available	SK33N-56C	SK33N-W	10	2	3150	13	0.67	2360



3/4 hp Gearmotors & Speed Reducers



Output Speed n ₂ [rpm]	Output Torque T ₂ [lb-in]	SF f _B	Gear Ratio i	Integral Gearmotor		Gearmotor C-Face		Reducer		5:1 Inverter Duty			20:1 Inverter Duty		
				Standard Motor	EE Motor	Standard Motor	EE Motor	C-Face Input	Solid Input Shaft	[60Hz]	[12Hz]		[80Hz]	[4Hz]	
										n ₆₀ [rpm]	n ₁₂ [rpm]	T ₆₀ [lb-in]	n ₈₀ [rpm]	n ₄ [rpm]	T ₈₀ [lb-in]
1267	37	12	1.35	SK11E-80S/4	not available	SK11E-56C-80S/4	not available	SK11E-56C	SK11E-W	1267	253	37	1685	84	28
1110	42	10.5	1.54	SK11E-80S/4	not available	SK11E-56C-80S/4	not available	SK11E-56C	SK11E-W	1110	222	42	1475	74	32
945	50	5.3	1.81	SK11E-80S/4	not available	SK11E-56C-71L/4	not available	SK11E-56C	SK11E-W	945	189	50	1255	63	38
862	55	4.6	1.93	SK172-80S/4	not available	SK172-56C-80S/4	not available	SK172-56C	SK172-W	862	172	55	1145	57	41
838	57	5.1	2.04	SK11E-80S/4	not available	SK11E-56C-80S/4	not available	SK11E-56C	SK11E-W	838	168	57	1115	56	43
745	64	4.5	2.23	SK172-80S/4	not available	SK172-56C-80S/4	not available	SK172-56C	SK172-W	745	149	64	991	50	48
737	64	4.9	2.32	SK11E-80S/4	not available	SK11E-56C-80S/4	not available	SK11E-56C	SK11E-W	737	147	64	980	49	48
635	74	4.6	2.62	SK172-80S/4	not available	SK172-56C-80S/4	not available	SK172-56C	SK172-W	635	127	74	845	42	56
604	78	4.6	2.83	SK11E-80S/4	not available	SK11E-56C-80S/4	not available	SK11E-56C	SK11E-W	604	121	78	803	40	59
580	81	4.7	2.95	SK02-80S/4	not available	SK02-56C-80S/4	not available	SK02-56C	SK02-W	580	116	81	771	39	61
548	87	4.5	3.03	SK172-80S/4	not available	SK172-56C-80S/4	not available	SK172-56C	SK172-W	548	110	87	729	36	65
538	88	4	3.18	SK11E-80S/4	not available	SK11E-56C-80S/4	not available	SK11E-56C	SK11E-W	538	108	88	716	36	66
506	97	4.5	3.38	SK02-80S/4	not available	SK02-56C-80S/4	not available	SK02-56C	SK02-W	506	101	97	673	34	73
493	97	4.4	3.37	SK172-80S/4	not available	SK172-56C-80S/4	not available	SK172-56C	SK172-W	493	99	97	656	33	73
475	97	3.7	3.60	SK11E-80S/4	not available	SK11E-56C-80S/4	not available	SK11E-56C	SK11E-W	475	95	97	632	32	73
440	106	4.3	3.89	SK02-80S/4	not available	SK02-56C-80S/4	not available	SK02-56C	SK02-W	440	88	106	585	29	80
426	115	4	3.90	SK172-80S/4	not available	SK172-56C-80S/4	not available	SK172-56C	SK172-W	426	85	115	567	28	86
408	115	4	4.07	SK172-80S/4	not available	SK172-56C-80S/4	not available	SK172-56C	SK172-W	408	82	115	543	27	86
405	115	3.9	4.22	SK02-80S/4	not available	SK02-56C-80S/4	not available	SK02-56C	SK02-W	405	81	115	539	27	86
355	133	3.8	4.82	SK02-80S/4	not available	SK02-56C-80S/4	not available	SK02-56C	SK02-W	355	71	133	472	24	100
353	133	3.6	4.71	SK172-80S/4	not available	SK172-56C-80S/4	not available	SK172-56C	SK172-W	353	71	133	469	23	100
319	150	3.3	5.21	SK172-80S/4	not available	SK172-56C-80S/4	not available	SK172-56C	SK172-W	319	64	150	424	21	113
307	150	3.3	5.57	SK02-80S/4	not available	SK02-56C-80S/4	not available	SK02-56C	SK02-W	307	61	150	408	20	113
289	159	3.1	5.74	SK172-80S/4	not available	SK172-56C-80S/4	not available	SK172-56C	SK172-W	289	58	159	384	19	119
280	168	3	6.10	SK02-80S/4	not available	SK02-56C-80S/4	not available	SK02-56C	SK02-W	280	56	168	372	19	126
262	177	2.8	6.34	SK172-80S/4	not available	SK172-56C-80S/4	not available	SK172-56C	SK172-W	262	52	177	348	17	133
248	195	2.8	6.89	SK02-80S/4	not available	SK02-56C-80S/4	not available	SK02-56C	SK02-W	248	50	195	330	16	146
240	195	2.7	6.94	SK172-80S/4	not available	SK172-56C-80S/4	not available	SK172-56C	SK172-W	240	48	195	319	16	146
219	210	2.6	7.80	SK02-80S/4	not available	SK02-56C-80S/4	not available	SK02-56C	SK02-W	219	44	210	291	15	159
216	220	2.4	7.90	SK21E-80S/4	not available	SK21E-56C-80S/4	not available	SK21E-56C	SK21E-W	216	43	220	287	14	164
216	220	2.5	7.68	SK172-80S/4	not available	SK172-56C-80S/4	not available	SK172-56C	SK172-W	216	43	220	287	14	166
211	220	1.2	8.10	SK11E-80S/4	not available	SK11E-56C-80S/4	not available	SK11E-56C	SK11E-W	211	42	220	281	14	166
209	230	2.5	8.19	SK02-80S/4	not available	SK02-56C-80S/4	not available	SK02-56C	SK02-W	209	42	230	278	14	173
202	230	2.7	8.25	SK172-80S/4	not available	SK172-56C-80S/4	not available	SK172-56C	SK172-W	202	40	230	269	13	173
184	255	2.2	9.28	SK02-80S/4	not available	SK02-56C-80S/4	not available	SK02-56C	SK02-W	184	37	255	245	12	193
178	265	2.5	9.35	SK172-80S/4	not available	SK172-56C-80S/4	not available	SK172-56C	SK172-W	178	36	265	237	12	200
172	275	2.1	9.95	SK02-80S/4	not available	SK02-56C-80S/4	not available	SK02-56C	SK02-W	172	34	275	229	11	205
168	280	1.25	10.20	SK21E-80S/4	not available	SK21E-56C-80S/4	not available	SK21E-56C	SK21E-W	168	34	280	223	11	210
166	285	2.4	10.07	SK172-80S/4	not available	SK172-56C-80S/4	not available	SK172-56C	SK172-W	166	33	285	221	11	210
160	290	4	10.70	SK12-80S/4	not available	SK12-56C-80S/4	not available	SK12-56C	SK12-W	160	32	290	213	11	220
152	310	1.9	11.27	SK02-80S/4	not available	SK02-56C-80S/4	not available	SK02-56C	SK02-W	152	30	310	202	10	235
146	325	2.2	11.41	SK172-80S/4	not available	SK172-56C-80S/4	not available	SK172-56C	SK172-W	146	29	325	194	9.7	245
137	345	2.2	12.16	SK172-80S/4	not available	SK172-56C-80S/4	not available	SK172-56C	SK172-W	137	27	345	182	9.1	260
133	355	1.7	12.82	SK02-80S/4	not available	SK02-56C-80S/4	not available	SK02-56C	SK02-W	133	27	355	177	8.8	265
128	370	2	12.98	SK172-80S/4	not available	SK172-56C-80S/4	not available	SK172-56C	SK172-W	128	26	370	170	8.5	280
128	370	3.6	13.39	SK12-80S/4	not available	SK12-56C-80S/4	not available	SK12-56C	SK12-W	128	26	370	170	8.5	280
127	370	3.3	13.41	SK272-80S/4	not available	SK272-56C-80S/4	not available	SK272-56C	SK272-W	127	25	370	169	8.4	280
113	415	1.8	14.84	SK172-80S/4	not available	SK172-56C-80S/4	not available	SK172-56C	SK172-W	113	23	415	150	7.5	310
112	425	2.9	15.10	SK272-80S/4	not available	SK272-56C-80S/4	not available	SK272-56C	SK272-W	112	22	425	149	7.4	320



3/4 hp



Gearmotors & Speed Reducers

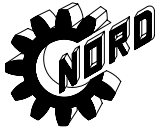
Output Speed n ₂ [rpm]	Output Torque T ₂ [lb-in]	SF f _B	Gear Ratio i	Integral Gearmotor		Gearmotor C-Face		Reducer		5:1 Inverter Duty			20:1 Inverter Duty		
				Standard Motor	EE Motor	Standard Motor	EE Motor	C-Face Input	Solid Input Shaft	[60Hz]	[12Hz]	T ₆₀ [lb-in]	[80Hz]	[4Hz]	T ₈₀ [lb-in]
										n ₆₀ [rpm]	n ₁₂ [rpm]		n ₈₀ [rpm]	n ₄ [rpm]	
107	445	1.4	15.95	SK02-80S/4	not available	SK02-56C-80S/4	not available	SK02-56C	SK02-W	107	21	445	142	7.1	330
102	460	2.9	16.73	SK12-80S/4	not available	SK12-56C-80S/4	not available	SK12-56C	SK12-W	102	20	460	136	6.8	345
98	485	2.6	17.17	SK272-80S/4	not available	SK272-56C-80S/4	not available	SK272-56C	SK272-W	98	20	485	130	6.5	365
96	495	1.5	17.17	SK172-80S/4	not available	SK172-56C-80S/4	not available	SK172-56C	SK172-W	96	19	495	128	6.4	370
92	515	1.5	17.87	SK172-80S/4	not available	SK172-56C-80S/4	not available	SK172-56C	SK172-W	92	18	515	122	6.1	385
91	520	2.4	18.59	SK272-80S/4	not available	SK272-56C-80S/4	not available	SK272-56C	SK272-W	91	18	520	121	6.1	390
91	520	2.7	18.79	SK12-80S/4	not available	SK12-56C-80S/4	not available	SK12-56C	SK12-W	91	18	520	121	6.1	390
84	565	2.2	20.06	SK272-80S/4	not available	SK272-56C-80S/4	not available	SK272-56C	SK272-W	84	17	565	112	5.6	425
83	565	1.1	20.59	SK02-80S/4	not available	SK02-56C-80S/4	not available	SK02-56C	SK02-W	83	17	565	110	5.5	425
80	595	2.1	20.96	SK272-80S/4	not available	SK272-56C-80S/4	not available	SK272-56C	SK272-W	80	16	595	106	5.3	445
80	595	2.1	20.83	SK273-80S/4	not available	SK273-56C-80S/4	not available	SK273-56C	SK273-W	80	16	595	106	5.3	445
80	595	2.5	21.28	SK12-80S/4	not available	SK12-56C-80S/4	not available	SK12-56C	SK12-W	80	16	595	106	5.3	445
77	610	1.3	21.59	SK172-80S/4	not available	SK172-56C-80S/4	not available	SK172-56C	SK172-W	77	15	610	102	5.1	460
74	635	2.9	22.37	SK373-80S/4	not available	SK373-56C-80S/4	not available	SK373-56C	SK373-W	74	15	635	98	4.9	480
71	665	1.9	23.70	SK273-80S/4	not available	SK273-56C-80S/4	not available	SK273-56C	SK273-W	71	14	665	94	4.7	500
70	675	1.2	24.39	SK02-80S/4	not available	SK02-56C-80S/4	not available	SK02-56C	SK02-W	70	14	675	93	4.7	505
70	675	1.2	23.91	SK172-80S/4	not available	SK172-56C-80S/4	not available	SK172-56C	SK172-W	70	14	675	93	4.7	505
69	680	3.2	24.73	SK22-80S/4	not available	SK22-56C-80S/4	not available	SK22-56C	SK22-W	69	14	680	92	4.6	510
68	700	2.8	24.26	SK373-80S/4	not available	SK373-56C-80S/4	not available	SK373-56C	SK373-W	68	14	700	90	4.5	525
67	710	1.8	25.28	SK272-80S/4	not available	SK272-56C-80S/4	not available	SK272-56C	SK272-W	67	13	710	89	4.5	530
67	710	2.5	25.28	SK372-80S/4	not available	SK372-56C-80S/4	not available	SK372-56C	SK372-W	67	13	710	89	4.5	530
66	715	1.7	25.92	SK12-80S/4	not available	SK12-56C-80S/4	not available	SK12-56C	SK12-W	66	13	715	88	4.4	540
61	780	1.6	27.10	SK273-80S/4	not available	SK273-56C-80S/4	not available	SK273-56C	SK273-W	61	12	780	81	4.1	585
60	790	1	27.61	SK172-80S/4	not available	SK172-56C-80S/4	not available	SK172-56C	SK172-W	60	12	790	80	4	590
60	790	2.5	27.78	SK373-80S/4	not available	SK373-56C-80S/4	not available	SK373-56C	SK373-W	60	12	790	80	4	590
59	810	1.5	28.59	SK272-80S/4	not available	SK272-56C-80S/4	not available	SK272-56C	SK272-W	59	12	810	78	3.9	605
59	810	1.5	28.34	SK273-80S/4	not available	SK273-56C-80S/4	not available	SK273-56C	SK273-W	59	12	810	78	3.9	605
59	810	2.2	28.59	SK372-80S/4	not available	SK372-56C-80S/4	not available	SK372-56C	SK372-W	59	12	810	78	3.9	605
58	810	1	29.61	SK02-80S/4	not available	SK02-56C-80S/4	not available	SK02-56C	SK02-W	58	12	810	77	3.9	610
58	810	3.2	29.31	SK22-80S/4	not available	SK22-56C-80S/4	not available	SK22-56C	SK22-W	58	12	810	77	3.9	610
55	860	1.7	31.19	SK12-80S/4	not available	SK12-56C-80S/4	not available	SK12-56C	SK12-W	55	11	860	73	3.7	645
53	890	1.4	31.17	SK272-80S/4	not available	SK272-56C-80S/4	not available	SK272-56C	SK272-W	53	11	890	70	3.5	670
53	890	2	31.17	SK372-80S/4	not available	SK372-56C-80S/4	not available	SK372-56C	SK372-W	53	11	890	70	3.5	670
52	910	1.4	32.11	SK273-80S/4	not available	SK273-56C-80S/4	not available	SK273-56C	SK273-W	52	10	910	69	3.5	685
52	910	2.7	32.94	SK473-80S/4	not available	SK473-56C-80S/4	not available	SK473-56C	SK473-W	52	10	910	69	3.5	685
50	950	2.1	33.34	SK373-80S/4	not available	SK373-56C-80S/4	not available	SK373-56C	SK373-W	50	10	950	67	3.3	710
50	950	3	33.11	SK472-80S/4	not available	SK472-56C-80S/4	not available	SK472-56C	SK472-W	50	10	950	67	3.3	710
48	980	3	35.55	SK22-80S/4	not available	SK22-56C-80S/4	not available	SK22-56C	SK22-W	48	9.6	980	64	3.2	735
47	1010	1.2	35.26	SK272-80S/4	not available	SK272-56C-80S/4	not available	SK272-56C	SK272-W	47	9.4	1010	63	3.1	755
47	1010	1.8	35.26	SK372-80S/4	not available	SK372-56C-80S/4	not available	SK372-56C	SK372-W	47	9.4	1010	63	3.1	755
46	1030	1.2	36.54	SK273-80S/4	not available	SK273-56C-80S/4	not available	SK273-56C	SK273-W	46	9.2	1030	61	3.1	770
46	1030	2.6	37.72	SK473-80S/4	not available	SK473-56C-80S/4	not available	SK473-56C	SK473-W	46	9.2	1030	61	3.1	770
45	1050	1.5	38.31	SK12-80S/4	not available	SK12-56C-80S/4	not available	SK12-56C	SK12-W	45	9	1050	60	3	790
44	1070	1.8	37.54	SK373-80S/4	not available	SK373-56C-80S/4	not available	SK373-56C	SK373-W	44	8.8	1070	59	2.9	800
43	1100	2.6	38.17	SK472-80S/4	not available	SK472-56C-80S/4	not available	SK472-56C	SK472-W	43	8.6	1100	57	2.9	820
42	1120	1.1	39.78	SK272-80S/4	not available	SK272-56C-80S/4	not available	SK272-56C	SK272-W	42	8.4	1120	56	2.8	840
42	1120	1.6	39.78	SK372-80S/4	not available	SK372-56C-80S/4	not available	SK372-56C	SK372-W	42	8.4	1120	56	2.8	840
41	1150	2.3	41.03	SK473-80S/4	not available	SK473-56C-80S/4	not available	SK473-56C	SK473-W	41	8.2	1150	55	2.7	860
40	1190	1	41.78	SK273-80S/4	not available	SK273-56C-80S/4	not available	SK273-56C	SK273-W	40	8	1190	53	2.7	890



3/4 hp Gearmotors & Speed Reducers



Output Speed n ₂ [rpm]	Output Torque T ₂ [lb-in]	SF f _B	Gear Ratio i	Integral Gearmotor		Gearmotor C-Face		Reducer		5:1 Inverter Duty			20:1 Inverter Duty		
				Standard Motor	EE Motor	Standard Motor	EE Motor	C-Face Input	Solid Input Shaft	[60Hz]	[12Hz]		[80Hz]	[4Hz]	
										n ₆₀ [rpm]	n ₁₂ [rpm]	T ₆₀ [lb-in]	n ₈₀ [rpm]	n ₄ [rpm]	T ₈₀ [lb-in]
40	1190	2.2	42.21	SK472-80S/4	not available	SK472-56C-80S/4	not available	SK472-56C	SK472-W	40	8	1190	53	2.7	890
40	1190	2.5	42.82	SK22-80S/4	not available	SK22-56C-80S/4	not available	SK22-56C	SK22-W	40	8	1190	53	2.7	890
38	1250	1.6	42.69	SK373-80S/4	not available	SK373-56C-80S/4	not available	SK373-56C	SK373-W	38	7.6	1250	51	2.5	940
37	1270	1	45.40	SK272-80S/4	not available	SK272-56C-80S/4	not available	SK272-56C	SK272-W	37	7.4	1270	49	2.5	960
37	1270	1.1	45.40	SK372-80S/4	not available	SK372-56C-80S/4	not available	SK372-56C	SK372-W	37	7.4	1270	49	2.5	960
37	1270	2	45.90	SK22-80S/4	not available	SK22-56C-80S/4	not available	SK22-56C	SK22-W	37	7.4	1270	49	2.5	960
37	1270	2.1	45.26	SK473-80S/4	not available	SK473-56C-80S/4	not available	SK473-56C	SK473-W	37	7.4	1270	49	2.5	960
36	1310	1.2	47.87	SK12-80S/4	not available	SK12-56C-80S/4	not available	SK12-56C	SK12-W	36	7.2	1310	48	2.4	980
35	1350	2.1	46.75	SK472-80S/4	not available	SK472-56C-80S/4	not available	SK472-56C	SK472-W	35	7	1350	47	2.3	1020
34	1390	1.4	49.42	SK373-80S/4	not available	SK373-56C-80S/4	not available	SK373-56C	SK373-W	34	6.8	1390	45	2.3	1040
32	1480	1	51.23	SK372-80S/4	not available	SK372-56C-80S/4	not available	SK372-56C	SK372-W	32	6.4	1480	43	2.1	1110
32	1480	1.8	51.70	SK472-80S/4	not available	SK472-56C-80S/4	not available	SK472-56C	SK472-W	32	6.4	1480	43	2.1	1110
32	1480	1.8	50.97	SK473-80S/4	not available	SK473-56C-80S/4	not available	SK473-56C	SK473-W	32	6.4	1480	43	2.1	1110
32	1480	2.2	51.70	SK572-80S/4	not available	SK572-56C-80S/4	not available	SK572-56C	SK572-W	32	6.4	1480	43	2.1	1110
32	1480	2.7	50.97	SK573-80S/4	not available	SK573-56C-80S/4	not available	SK573-56C	SK573-W	32	6.4	1480	43	2.1	1110
31	1520	1.7	53.42	SK473-80S/4	not available	SK473-56C-80S/4	not available	SK473-56C	SK473-W	31	6.2	1520	41	2.1	1140
31	1520	1.9	55.28	SK22-80S/4	not available	SK22-56C-80S/4	not available	SK22-56C	SK22-W	31	6.2	1520	41	2.1	1140
31	1520	2.6	53.42	SK573-80S/4	not available	SK573-56C-80S/4	not available	SK573-56C	SK573-W	31	6.2	1520	41	2.1	1140
30	1580	1.2	55.65	SK373-80S/4	not available	SK373-56C-80S/4	not available	SK373-56C	SK373-W	30	6	1580	40	2	1180
30	1580	3.4	57.53	SK32-80S/4	not available	SK32-56C-80S/4	not available	SK32-56C	SK32-W	30	6	1580	40	2	1180
29	1630	1.6	57.96	SK473-80S/4	not available	SK473-56C-80S/4	not available	SK473-56C	SK473-W	29	5.8	1630	39	1.9	1220
29	1630	2.3	56.90	SK672-80S/4	not available	SK672-56C-80S/4	not available	SK672-56C	SK672-W	29	5.8	1630	39	1.9	1220
29	1630	2.4	57.96	SK573-80S/4	not available	SK573-56C-80S/4	not available	SK573-56C	SK573-W	29	5.8	1630	39	1.9	1220
29	1630	3.4	57.30	SK673-80S/4	not available	SK673-56C-80S/4	not available	SK673-56C	SK673-W	29	5.8	1630	39	1.9	1220
27	1750	3.2	64.26	SK32-80S/4	not available	SK32-56C-80S/4	not available	SK32-56C	SK32-W	27	5.4	1750	36	1.8	1310
26	1820	1.1	63.29	SK373-80S/4	not available	SK373-56C-80S/4	not available	SK373-56C	SK373-W	26	5.2	1820	35	1.7	1370
26	1820	1.5	64.10	SK473-80S/4	not available	SK473-56C-80S/4	not available	SK473-56C	SK473-W	26	5.2	1820	35	1.7	1370
26	1820	2.2	64.10	SK573-80S/4	not available	SK573-56C-80S/4	not available	SK573-56C	SK573-W	26	5.2	1820	35	1.7	1370
25	1890	1	66.38	SK373-80S/4	not available	SK373-56C-80S/4	not available	SK373-56C	SK373-W	25	5	1890	33	1.7	1420
25	1890	1.4	65.56	SK472-80S/4	not available	SK472-56C-80S/4	not available	SK472-56C	SK472-W	25	5	1890	33	1.7	1420
25	1890	2.1	64.18	SK672-80S/4	not available	SK672-56C-80S/4	not available	SK672-56C	SK672-W	25	5	1890	33	1.7	1420
24	1970	1.2	69.81	SK22-80S/4	not available	SK22-56C-80S/4	not available	SK22-56C	SK22-W	24	4.8	1970	32	1.6	1480
24	1970	2.5	72.76	SK32-80S/4	not available	SK32-56C-80S/4	not available	SK32-56C	SK32-W	24	4.8	1970	32	1.6	1480
24	1970	2.8	67.98	SK673-80S/4	not available	SK673-56C-80S/4	not available	SK673-56C	SK673-W	24	4.8	1970	32	1.6	1480
23	2050	1.3	72.18	SK473-80S/4	not available	SK473-56C-80S/4	not available	SK473-56C	SK473-W	23	4.6	2050	31	1.5	1540
23	2050	1.9	72.18	SK573-80S/4	not available	SK573-56C-80S/4	not available	SK573-56C	SK573-W	23	4.6	2050	31	1.5	1540
23	2050	3.7	75.95	SK773-80S/4	not available	SK773-56C-80S/4	not available	SK773-56C	SK773-W	23	4.6	2050	31	1.5	1540
22	2150	2.6	75.38	SK673-80S/4	not available	SK673-56C-80S/4	not available	SK673-56C	SK673-W	22	4.4	2150	29	1.5	1610
21	2250	2	81.27	SK32-80S/4	not available	SK32-56C-80S/4	not available	SK32-56C	SK32-W	21	4.2	2250	28	1.4	1690
21	2250	4.6	79.96	SK43-80S/4	not available	SK43-56C-80S/4	not available	SK43-56C	SK43-W	21	4.2	2250	28	1.4	1690
20	2360	1.1	82.08	SK473-80S/4	not available	SK473-56C-80S/4	not available	SK473-56C	SK473-W	20	4	2360	27	1.3	1770
20	2360	1.7	82.08	SK573-80S/4	not available	SK573-56C-80S/4	not available	SK573-56C	SK573-W	20	4	2360	27	1.3	1770
20	2360	3.2	80.14	SK773-80S/4	not available	SK773-56C-80S/4	not available	SK773-56C	SK773-W	20	4	2360	27	1.3	1770
19	2490	1.2	88.45	SK23-80S/4	not available	SK23-56C-80S/4	not available	SK23-56C	SK23-W	19	3.8	2490	25	1.3	1870
19	2490	1.9	88.18	SK33N-80S/4	not available	SK33N-56C-80S/4	not available	SK33N-56C	SK33N-W	19	3.8	2490	25	1.3	1870
19	2490	2.2	84.47	SK673-80S/4	not available	SK673-56C-80S/4	not available	SK673-56C	SK673-W	19	3.8	2490	25	1.3	1870
18	2630	4.2	94.96	SK43-80S/4	not available	SK43-56C-80S/4	not available	SK43-56C	SK43-W	18	3.6	2630	24	1.2	1970
17	2780	1	95.90	SK473-80S/4	not available	SK473-56C-80S/4	not available	SK473-56C	SK473-W	17	3.4	2780	23	1.1	2080
17	2780	1.1	100.60	SK23-80S/4	not available	SK23-56C-80S/4	not available	SK23-56C	SK23-W	17	3.4	2780	23	1.1	2080



3/4 hp



Gearmotors & Speed Reducers

Output Speed n ₂	Output Torque T ₂ [lb-in]	SF f _B	Gear Ratio i	Integral Gearmotor		Gearmotor C-Face		Reducer		5:1 Inverter Duty			20:1 Inverter Duty		
				Standard Motor	EE Motor	Standard Motor	EE Motor	Input	Solid Input Shaft	[60Hz]	[12Hz]		[80Hz]	[4Hz]	
										n ₆₀	n ₁₂	T ₆₀	n ₈₀	n ₄	T ₈₀
17	2780	1.4	95.90	SK573-80S/4	not available	SK573-56C-80S/4	not available	SK573-56C	SK573-W	17	3.4	2780	23	1.1	2080
16	2780	2.1	98.15	SK773-80S/4	not available	SK773-56C-80S/4	not available	SK773-56C	SK773-W	17	3.4	2780	23	1.1	2080
16	2960	1.3	106.70	SK573-80S/4	not available	SK573-56C-80S/4	not available	SK573-56C	SK573-W	16	3.2	2960	21	1.1	2220
16	2960	1.9	103.46	SK673-80S/4	not available	SK673-56C-80S/4	not available	SK673-56C	SK673-W	16	3.2	2960	21	1.1	2220
16	2960	3.3	107.51	SK43-80S/4	not available	SK43-56C-80S/4	not available	SK43-56C	SK43-W	16	3.2	2960	21	1.1	2220
15	3150	1.5	112.18	SK33N-80S/4	not available	SK33N-56C-80S/4	not available	SK33N-56C	SK33N-W	15	3	3150	20	1	2360
14	3380	1.2	118.30	SK573-80S/4	not available	SK573-56C-80S/4	not available	SK573-56C	SK573-W	14	2.8	3380	19	0.93	2540
14	3380	1.7	119.31	SK673-80S/4	not available	SK673-56C-80S/4	not available	SK673-56C	SK673-W	14	2.8	3380	19	0.93	2540
14	3380	2.3	115.04	SK773-80S/4	not available	SK773-56C-80S/4	not available	SK773-56C	SK773-W	14	2.8	3380	19	0.93	2540
13	3640	1.6	134.02	SK33N-80S/4	not available	SK33N-56C-80S/4	not available	SK33N-56C	SK33N-W	13	2.6	3640	17	0.86	2730
13	3640	3	129.38	SK43-80S/4	not available	SK43-56C-80S/4	not available	SK43-56C	SK43-W	13	2.6	3640	17	0.86	2730
12	3940	1	134.32	SK573-80S/4	not available	SK573-56C-80S/4	not available	SK573-56C	SK573-W	12	2.4	3940	16	0.8	2950
12	3940	1.9	140.89	SK773-80S/4	not available	SK773-56C-80S/4	not available	SK773-56C	SK773-W	12	2.4	3940	16	0.8	2950
12	3940	2.4	141.55	SK43-80S/4	not available	SK43-56C-80S/4	not available	SK43-56C	SK43-W	12	2.4	3940	16	0.8	2950
11	4300	1.3	146.13	SK673-80S/4	not available	SK673-56C-80S/4	not available	SK673-56C	SK673-W	11	2.2	4300	15	0.73	3230
11	4300	1.8	148.64	SK773-80S/4	not available	SK773-56C-80S/4	not available	SK773-56C	SK773-W	11	2.2	4300	15	0.73	3230
10	4730	1.3	166.49	SK33N-80S/4	not available	SK33N-56C-80S/4	not available	SK33N-56C	SK33N-W	10	2	4730	13	0.67	3550
10	4730	2.2	169.86	SK43-80S/4	not available	SK43-56C-80S/4	not available	SK43-56C	SK43-W	10	2	4730	13	0.67	3550



1 hp Gearmotors & Speed Reducers



Output Speed n ₂ [rpm]	Output Torque T ₂ [lb-in]	SF f _b	Gear Ratio i	Integral Gearmotor		Gearmotor C-Face		Reducer		5:1 Inverter Duty			20:1 Inverter Duty		
				Standard Motor	EE Motor	Standard Motor	EE Motor	C-Face Input	Solid Input Shaft	60Hz	12Hz	T ₆₀ [lb-in]	80Hz	4Hz	T ₈₀ [lb-in]
										n ₆₀ [rpm]	n ₁₂ [rpm]		n ₈₀	n ₄	
1222	52	8.5	1.35	SK11E-80L/4	SK11E-80LH/4	SK11E-140TC-80L/4	SK11E-140TC-80LH/4	SK11E-140TC	SK11E-W	1222	244	52	1625	81	39
1071	59	7.5	1.54	SK11E-80L/4	SK11E-80LH/4	SK11E-140TC-80L/4	SK11E-140TC-80LH/4	SK11E-140TC	SK11E-W	1071	214	59	1425	71	44
912	69	3.8	1.81	SK11E-80L/4	SK11E-80LH/4	SK11E-56C-80S/4	SK11E-56C-80SH/4	SK11E-56C	SK11E-W	912	182	69	1215	61	52
862	73	3.5	1.93	SK172-80L/4	SK172-80LH/4	SK172-140TC-80L/4	SK172-140TC-80LH/4	SK172-140TC	SK172-W	862	172	73	1145	57	55
809	78	3.7	2.04	SK11E-80L/4	SK11E-80LH/4	SK11E-140TC-80L/4	SK11E-140TC-80LH/4	SK11E-140TC	SK11E-W	809	162	78	1075	54	59
745	85	3.3	2.23	SK172-80L/4	SK172-80LH/4	SK172-140TC-80L/4	SK172-140TC-80LH/4	SK172-140TC	SK172-W	745	149	85	991	50	64
711	89	3.5	2.32	SK11E-80L/4	SK11E-80LH/4	SK11E-140TC-80L/4	SK11E-140TC-80LH/4	SK11E-140TC	SK11E-W	711	142	89	946	47	67
635	97	3.5	2.62	SK172-80L/4	SK172-80LH/4	SK172-140TC-80L/4	SK172-140TC-80LH/4	SK172-140TC	SK172-W	635	127	97	845	42	73
583	106	3.3	2.83	SK11E-80L/4	SK11E-80LH/4	SK11E-140TC-80L/4	SK11E-140TC-80LH/4	SK11E-140TC	SK11E-W	583	117	106	775	39	80
559	115	3.4	2.95	SK02-80L/4	SK02-80LH/4	SK02-140TC-80L/4	SK02-140TC-80LH/4	SK02-140TC	SK02-W	559	112	115	743	37	86
548	115	3.3	3.03	SK172-80L/4	SK172-80LH/4	SK172-140TC-80L/4	SK172-140TC-80LH/4	SK172-140TC	SK172-W	548	110	115	729	36	86
519	124	2.9	3.18	SK11E-80L/4	SK11E-80LH/4	SK11E-140TC-80L/4	SK11E-140TC-80LH/4	SK11E-140TC	SK11E-W	519	104	124	690	35	93
493	124	3.3	3.37	SK172-80L/4	SK172-80LH/4	SK172-140TC-80L/4	SK172-140TC-80LH/4	SK172-140TC	SK172-W	493	99	124	656	33	93
488	133	3.3	3.38	SK02-80L/4	SK02-80LH/4	SK02-140TC-80L/4	SK02-140TC-80LH/4	SK02-140TC	SK02-W	488	98	133	649	32	100
458	142	2.7	3.60	SK11E-80L/4	SK11E-80LH/4	SK11E-140TC-80L/4	SK11E-140TC-80LH/4	SK11E-140TC	SK11E-W	458	92	142	609	30	107
426	150	3	3.90	SK172-80L/4	SK172-80LH/4	SK172-140TC-80L/4	SK172-140TC-80LH/4	SK172-140TC	SK172-W	426	85	150	567	28	113
424	150	3.1	3.89	SK02-80L/4	SK02-80LH/4	SK02-140TC-80L/4	SK02-140TC-80LH/4	SK02-140TC	SK02-W	424	85	150	564	28	113
408	150	3	4.07	SK172-80L/4	SK172-80LH/4	SK172-140TC-80L/4	SK172-140TC-80LH/4	SK172-140TC	SK172-W	408	82	150	543	27	113
391	159	2.9	4.22	SK02-80L/4	SK02-80LH/4	SK02-140TC-80L/4	SK02-140TC-80LH/4	SK02-140TC	SK02-W	391	78	159	520	26	119
353	177	2.7	4.71	SK172-80L/4	SK172-80LH/4	SK172-140TC-80L/4	SK172-140TC-80LH/4	SK172-140TC	SK172-W	353	71	177	469	23	133
342	186	2.7	4.82	SK02-80L/4	SK02-80LH/4	SK02-140TC-80L/4	SK02-140TC-80LH/4	SK02-140TC	SK02-W	342	68	186	455	23	140
319	195	2.5	5.21	SK172-80L/4	SK172-80LH/4	SK172-140TC-80L/4	SK172-140TC-80LH/4	SK172-140TC	SK172-W	319	64	195	424	21	146
296	210	2.4	5.57	SK02-80L/4	SK02-80LH/4	SK02-140TC-80L/4	SK02-140TC-80LH/4	SK02-140TC	SK02-W	296	59	210	394	20	159
289	220	2.3	5.74	SK172-80L/4	SK172-80LH/4	SK172-140TC-80L/4	SK172-140TC-80LH/4	SK172-140TC	SK172-W	289	58	220	384	19	166
270	230	2.2	6.10	SK02-80L/4	SK02-80LH/4	SK02-140TC-80L/4	SK02-140TC-80LH/4	SK02-140TC	SK02-W	270	54	230	359	18	173
262	240	2.1	6.34	SK172-80L/4	SK172-80LH/4	SK172-140TC-80L/4	SK172-140TC-80LH/4	SK172-140TC	SK172-W	262	52	240	348	17	179
258	245	2.4	6.40	SK21E-80L/4	SK21E-80LH/4	SK21E-140TC-80L/4	SK21E-140TC-80LH/4	SK21E-140TC	SK21E-W	258	52	245	343	17	183
240	265	2.1	6.94	SK172-80L/4	SK172-80LH/4	SK172-140TC-80L/4	SK172-140TC-80LH/4	SK172-140TC	SK172-W	240	48	265	319	16	200
239	265	2	6.89	SK02-80L/4	SK02-80LH/4	SK02-140TC-80L/4	SK02-140TC-80LH/4	SK02-140TC	SK02-W	239	48	265	318	16	200
227	275	4	7.28	SK12-80L/4	SK12-80LH/4	SK12-140TC-80L/4	SK12-140TC-80LH/4	SK12-140TC	SK12-W	227	45	275	302	15	205
222	285	3.6	7.64	SK272-80L/4	SK272-80LH/4	SK272-140TC-80L/4	SK272-140TC-80LH/4	SK272-140TC	SK272-W	222	44	285	295	15	210
216	290	1.9	7.68	SK172-80L/4	SK172-80LH/4	SK172-140TC-80L/4	SK172-140TC-80LH/4	SK172-140TC	SK172-W	216	43	290	287	14	220
212	300	1.9	7.80	SK02-80L/4	SK02-80LH/4	SK02-140TC-80L/4	SK02-140TC-80LH/4	SK02-140TC	SK02-W	212	42	300	282	14	225
210	300	3.7	7.85	SK12-80L/4	SK12-80LH/4	SK12-140TC-80L/4	SK12-140TC-80LH/4	SK12-140TC	SK12-W	210	42	300	279	14	225
209	300	1.8	7.90	SK21E-80L/4	SK21E-80LH/4	SK21E-140TC-80L/4	SK21E-140TC-80LH/4	SK21E-140TC	SK21E-W	209	42	300	278	14	225
202	310	2	8.25	SK172-80L/4	SK172-80LH/4	SK172-140TC-80L/4	SK172-140TC-80LH/4	SK172-140TC	SK172-W	202	40	310	269	13	235
201	310	1.8	8.19	SK02-80L/4	SK02-80LH/4	SK02-140TC-80L/4	SK02-140TC-80LH/4	SK02-140TC	SK02-W	201	40	310	267	13	235
196	320	3.6	8.65	SK272-80L/4	SK272-80LH/4	SK272-140TC-80L/4	SK272-140TC-80LH/4	SK272-140TC	SK272-W	196	39	320	261	13	240
193	325	3.5	8.56	SK12-80L/4	SK12-80LH/4	SK12-140TC-80L/4	SK12-140TC-80LH/4	SK12-140TC	SK12-W	193	39	325	257	13	245
178	355	1.6	9.28	SK02-80L/4	SK02-80LH/4	SK02-140TC-80L/4	SK02-140TC-80LH/4	SK02-140TC	SK02-W	178	36	355	237	12	265
178	355	1.9	9.35	SK172-80L/4	SK172-80LH/4	SK172-140TC-80L/4	SK172-140TC-80LH/4	SK172-140TC	SK172-W	178	36	355	237	12	265
172	365	3.4	9.90	SK272-80L/4	SK272-80LH/4	SK272-140TC-80L/4	SK272-140TC-80LH/4	SK272-140TC	SK272-W	172	34	365	229	11	270
171	370	3.2	9.65	SK12-80L/4	SK12-80LH/4	SK12-140TC-80L/4	SK12-140TC-80LH/4	SK12-140TC	SK12-W	171	34	370	227	11	280
166	380	1.5	9.95	SK02-80L/4	SK02-80LH/4	SK02-140TC-80L/4	SK02-140TC-80LH/4	SK02-140TC	SK02-W	166	33	380	221	11	285
166	380	1.8	10.07	SK172-80L/4	SK172-80LH/4	SK172-140TC-80L/4	SK172-140TC-80LH/4	SK172-140TC	SK172-W	166	33	380	221	11	285
154	405	2.9	10.70	SK12-80L/4	SK12-80LH/4	SK12-140TC-80L/4	SK12-140TC-80LH/4	SK12-140TC	SK12-W	154	31	405	205	10	305
152	415	3	11.17	SK272-80L/4	SK272-80LH/4	SK272-140TC-80L/4	SK272-140TC-80LH/4	SK272-140TC	SK272-W	152	30	415	202	10	310
146	435	1.4	11.27	SK02-80L/4	SK02-80LH/4	SK02-140TC-80L/4	SK02-140TC-80LH/4	SK02-140TC	SK02-W	146	29	435	194	9.7	325
146	435	1.7	11.41	SK172-80L/4	SK172-80LH/4	SK172-140TC-80L/4	SK172-140TC-80LH/4	SK172-140TC	SK172-W	146	29	435	194	9.7	325



1 hp



Gearmotors & Speed Reducers

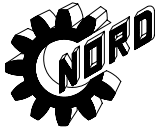
Output Speed n ₂ [rpm]	Output Torque T ₂ [lb-in]	SF f _B	Gear Ratio i	Integral Gearmotor		Gearmotor C-Face		Reducer		5:1 Inverter Duty			20:1 Inverter Duty			
				Standard Motor	EE Motor	Standard Motor	EE Motor	C-Face Input	Solid Input Shaft	[60Hz]		[12Hz]		[80Hz]	[4Hz]	
										n ₆₀ [rpm]	n ₁₂ [rpm]	T ₆₀ [lb-in]	n ₈₀ [rpm]			
143	445	2.8	11.88	SK272-80L/4	SK272-80LH/4	SK272-140TC-80L/4	SK272-140TC-80LH/4	SK272-140TC	SK272-W	143	29	445	190	9.5	330	
137	460	1.6	12.16	SK172-80L/4	SK172-80LH/4	SK172-140TC-80L/4	SK172-140TC-80LH/4	SK172-140TC	SK172-W	137	27	460	182	9.1	345	
129	485	1.3	12.82	SK02-80L/4	SK02-80LH/4	SK02-140TC-80L/4	SK02-140TC-80LH/4	SK02-140TC	SK02-W	129	26	485	172	8.6	365	
128	495	1.5	12.98	SK172-80L/4	SK172-80LH/4	SK172-140TC-80L/4	SK172-140TC-80LH/4	SK172-140TC	SK172-W	128	26	495	170	8.5	370	
127	495	2.5	13.41	SK272-80L/4	SK272-80LH/4	SK272-140TC-80L/4	SK272-140TC-80LH/4	SK272-140TC	SK272-W	127	25	495	169	8.4	370	
123	515	2.6	13.39	SK12-80L/4	SK12-80LH/4	SK12-140TC-80L/4	SK12-140TC-80LH/4	SK12-140TC	SK12-W	123	25	515	164	8.2	385	
113	560	1.3	14.84	SK172-80L/4	SK172-80LH/4	SK172-140TC-80L/4	SK172-140TC-80LH/4	SK172-140TC	SK172-W	113	23	560	150	7.5	420	
112	565	2.2	15.10	SK272-80L/4	SK272-80LH/4	SK272-140TC-80L/4	SK272-140TC-80LH/4	SK272-140TC	SK272-W	112	22	565	149	7.4	425	
104	610	2.9	16.28	SK373-80L/4	SK373-80LH/4	SK373-140TC-80L/4	SK373-140TC-80LH/4	SK373-140TC	SK373-W	104	21	610	138	6.9	460	
103	610	1	15.95	SK02-80L/4	SK02-80LH/4	SK02-140TC-80L/4	SK02-140TC-80LH/4	SK02-140TC	SK02-W	103	21	610	137	6.8	460	
99	635	2.1	16.73	SK12-80L/4	SK12-80LH/4	SK12-140TC-80L/4	SK12-140TC-80LH/4	SK12-140TC	SK12-W	99	20	635	132	6.6	480	
98	645	1.9	17.17	SK272-80L/4	SK272-80LH/4	SK272-140TC-80L/4	SK272-140TC-80LH/4	SK272-140TC	SK272-W	98	20	645	130	6.5	485	
98	645	2.8	17.17	SK372-80L/4	SK372-80LH/4	SK372-140TC-80L/4	SK372-140TC-80LH/4	SK372-140TC	SK372-W	98	20	645	130	6.5	485	
96	655	1.1	17.17	SK172-80L/4	SK172-80LH/4	SK172-140TC-80L/4	SK172-140TC-80LH/4	SK172-140TC	SK172-W	96	19	655	128	6.4	490	
92	680	1.1	17.87	SK172-80L/4	SK172-80LH/4	SK172-140TC-80L/4	SK172-140TC-80LH/4	SK172-140TC	SK172-W	92	18	680	122	6.1	510	
91	690	1.8	18.59	SK272-80L/4	SK272-80LH/4	SK272-140TC-80L/4	SK272-140TC-80LH/4	SK272-140TC	SK272-W	91	18	690	121	6.1	520	
91	690	2.6	18.59	SK372-80L/4	SK372-80LH/4	SK372-140TC-80L/4	SK372-140TC-80LH/4	SK372-140TC	SK372-W	91	18	690	121	6.1	520	
88	715	2	18.79	SK12-80L/4	SK12-80LH/4	SK12-140TC-80L/4	SK12-140TC-80LH/4	SK12-140TC	SK12-W	88	18	715	117	5.9	540	
84	750	1.7	20.06	SK272-80L/4	SK272-80LH/4	SK272-140TC-80L/4	SK272-140TC-80LH/4	SK272-140TC	SK272-W	84	17	750	112	5.6	565	
84	750	2.4	20.06	SK372-80L/4	SK372-80LH/4	SK372-140TC-80L/4	SK372-140TC-80LH/4	SK372-140TC	SK372-W	84	17	750	112	5.6	565	
80	790	1.6	20.96	SK272-80L/4	SK272-80LH/4	SK272-140TC-80L/4	SK272-140TC-80LH/4	SK272-140TC	SK272-W	80	16	790	106	5.3	590	
80	790	1.6	20.83	SK273-80L/4	SK273-80LH/4	SK273-140TC-80L/4	SK273-140TC-80LH/4	SK273-140TC	SK273-W	80	16	790	106	5.3	590	
80	790	2.2	20.96	SK372-80L/4	SK372-80LH/4	SK372-140TC-80L/4	SK372-140TC-80LH/4	SK372-140TC	SK372-W	80	16	790	106	5.3	590	
78	810	1.8	21.28	SK12-80L/4	SK12-80LH/4	SK12-140TC-80L/4	SK12-140TC-80LH/4	SK12-140TC	SK12-W	78	16	810	104	5.2	605	
74	850	2.2	22.37	SK373-80L/4	SK373-80LH/4	SK373-140TC-80L/4	SK373-140TC-80LH/4	SK373-140TC	SK373-W	74	15	850	98	4.9	640	
73	870	2.5	23.10	SK473-80L/4	SK473-80LH/4	SK473-140TC-80L/4	SK473-140TC-80LH/4	SK473-140TC	SK473-W	73	15	870	97	4.9	650	
71	890	1.4	23.70	SK273-80L/4	SK273-80LH/4	SK273-140TC-80L/4	SK273-140TC-80LH/4	SK273-140TC	SK273-W	71	14	890	94	4.7	665	
68	930	2.1	24.26	SK373-80L/4	SK373-80LH/4	SK373-140TC-80L/4	SK373-140TC-80LH/4	SK373-140TC	SK373-W	68	14	930	90	4.5	695	
67	940	1.3	25.28	SK272-80L/4	SK272-80LH/4	SK272-140TC-80L/4	SK272-140TC-80LH/4	SK272-140TC	SK272-W	67	13	940	89	4.5	705	
67	940	1.9	25.28	SK372-80L/4	SK372-80LH/4	SK372-140TC-80L/4	SK372-140TC-80LH/4	SK372-140TC	SK372-W	67	13	940	89	4.5	705	
67	940	2.3	24.73	SK22-80L/4	SK22-80LH/4	SK22-140TC-80L/4	SK22-140TC-80LH/4	SK22-140TC	SK22-W	67	13	940	89	4.5	705	
66	960	2.3	25.60	SK473-80L/4	SK473-80LH/4	SK473-140TC-80L/4	SK473-140TC-80LH/4	SK473-140TC	SK473-W	66	13	960	88	4.4	715	
64	980	1.2	25.92	SK12-80L/4	SK12-80LH/4	SK12-140TC-80L/4	SK12-140TC-80LH/4	SK12-140TC	SK12-W	64	13	980	85	4.3	735	
61	1040	1.2	27.10	SK273-80L/4	SK273-80LH/4	SK273-140TC-80L/4	SK273-140TC-80LH/4	SK273-140TC	SK273-W	61	12	1040	81	4.1	775	
60	1050	1.9	27.78	SK373-80L/4	SK373-80LH/4	SK373-140TC-80L/4	SK373-140TC-80LH/4	SK373-140TC	SK373-W	60	12	1050	80	4	790	
59	1070	1.2	28.59	SK272-80L/4	SK272-80LH/4	SK272-140TC-80L/4	SK272-140TC-80LH/4	SK272-140TC	SK272-W	59	12	1070	78	3.9	800	
59	1070	1.2	28.34	SK273-80L/4	SK273-80LH/4	SK273-140TC-80L/4	SK273-140TC-80LH/4	SK273-140TC	SK273-W	59	12	1070	78	3.9	800	
59	1070	1.7	28.59	SK372-80L/4	SK372-80LH/4	SK372-140TC-80L/4	SK372-140TC-80LH/4	SK372-140TC	SK372-W	59	12	1070	78	3.9	800	
59	1070	2.2	29.01	SK473-80L/4	SK473-80LH/4	SK473-140TC-80L/4	SK473-140TC-80LH/4	SK473-140TC	SK473-W	59	12	1070	78	3.9	800	
58	1090	2.4	28.83	SK472-80L/4	SK472-80LH/4	SK472-140TC-80L/4	SK472-140TC-80LH/4	SK472-140TC	SK472-W	58	12	1090	77	3.9	820	
56	1120	2.3	29.31	SK22-80L/4	SK22-80LH/4	SK22-140TC-80L/4	SK22-140TC-80LH/4	SK22-140TC	SK22-W	56	11	1120	74	3.7	840	
53	1190	1	31.17	SK272-80L/4	SK272-80LH/4	SK272-140TC-80L/4	SK272-140TC-80LH/4	SK272-140TC	SK272-W	53	11	1190	70	3.5	890	
53	1190	1.2	31.19	SK12-80L/4	SK12-80LH/4	SK12-140TC-80L/4	SK12-140TC-80LH/4	SK12-140TC	SK12-W	53	11	1190	70	3.5	890	
53	1190	1.5	31.17	SK372-80L/4	SK372-80LH/4	SK372-140TC-80L/4	SK372-140TC-80LH/4	SK372-140TC	SK372-W	53	11	1190	70	3.5	890	
52	1210	1	32.11	SK273-80L/4	SK273-80LH/4	SK273-140TC-80L/4	SK273-140TC-80LH/4	SK273-140TC	SK273-W	52	10	1210	69	3.5	910	
52	1210	2	32.94	SK473-80L/4	SK473-80LH/4	SK473-140TC-80L/4	SK473-140TC-80LH/4	SK473-140TC	SK473-W	52	10	1210	69	3.5	910	
50	1260	1.5	33.34	SK373-80L/4	SK373-80LH/4	SK373-140TC-80L/4	SK373-140TC-80LH/4	SK373-140TC	SK373-W	50	10	1260	67	3.3	940	
50	1260	2.2	33.11	SK472-80L/4	SK472-80LH/4	SK472-140TC-80L/4	SK472-140TC-80LH/4	SK472-140TC	SK472-W	50	10	1260	67	3.3	940	
47	1350	1.3	35.26	SK372-80L/4	SK372-80LH/4	SK372-140TC-80L/4	SK372-140TC-80LH/4	SK372-140TC	SK372-W	47	9.4	1350	63	3.1	1010	



1 hp Gearmotors & Speed Reducers



Output Speed n ₂	Output Torque T ₂ [lb-in]	SF f _B	Gear Ratio i	Integral Gearmotor		Gearmotor C-Face		Reducer		5:1 Inverter Duty			20:1 Inverter Duty			
				Standard Motor	EE Motor	Standard Motor	EE Motor	Input	Solid Input Shaft	[60Hz]		[12Hz]		[80Hz]	[4Hz]	
										n ₆₀ [rpm]	n ₁₂ [rpm]	T ₆₀ [lb-in]	n ₈₀ [rpm]			
46	1370	1.9	37.72	SK473-80L/4	SK473-80LH/4	SK473-140TC-80L/4	SK473-140TC-80LH/4	SK473-140TC	SK473-W	46	9.2	1370	61	3.1	1030	
46	1370	2.1	35.55	SK22-80L/4	SK22-80LH/4	SK22-140TC-80L/4	SK22-140TC-80LH/4	SK22-140TC	SK22-W	46	9.2	1370	61	3.1	1030	
46	1370	2.9	37.72	SK573-80L/4	SK573-80LH/4	SK573-140TC-80L/4	SK573-140TC-80LH/4	SK573-140TC	SK573-W	46	9.2	1370	61	3.1	1030	
44	1430	1.4	37.54	SK373-80L/4	SK373-80LH/4	SK373-140TC-80L/4	SK373-140TC-80LH/4	SK373-140TC	SK373-W	44	8.8	1430	59	2.9	1080	
43	1470	1.1	38.31	SK12-80L/4	SK12-80LH/4	SK12-140TC-80L/4	SK12-140TC-80LH/4	SK12-140TC	SK12-W	43	8.6	1470	57	2.9	1100	
43	1470	1.9	38.17	SK472-80L/4	SK472-80LH/4	SK472-140TC-80L/4	SK472-140TC-80LH/4	SK472-140TC	SK472-W	43	8.6	1470	57	2.9	1100	
43	1470	2.2	38.17	SK572-80L/4	SK572-80LH/4	SK572-140TC-80L/4	SK572-140TC-80LH/4	SK572-140TC	SK572-W	43	8.6	1470	57	2.9	1100	
43	1470	2.7	38.76	SK32-80L/4	SK32-80LH/4	SK32-140TC-80L/4	SK32-140TC-80LH/4	SK32-140TC	SK32-W	43	8.6	1470	57	2.9	1100	
42	1510	1.2	39.78	SK372-80L/4	SK372-80LH/4	SK372-140TC-80L/4	SK372-140TC-80LH/4	SK372-140TC	SK372-W	42	8.4	1510	56	2.8	1130	
41	1540	1.7	41.03	SK473-80L/4	SK473-80LH/4	SK473-140TC-80L/4	SK473-140TC-80LH/4	SK473-140TC	SK473-W	41	8.2	1540	55	2.7	1160	
41	1540	2.6	41.03	SK573-80L/4	SK573-80LH/4	SK573-140TC-80L/4	SK573-140TC-80LH/4	SK573-140TC	SK573-W	41	8.2	1540	55	2.7	1160	
40	1580	1.7	42.21	SK472-80L/4	SK472-80LH/4	SK472-140TC-80L/4	SK472-140TC-80LH/4	SK472-140TC	SK472-W	40	8	1580	53	2.7	1180	
40	1580	2.1	42.21	SK572-80L/4	SK572-80LH/4	SK572-140TC-80L/4	SK572-140TC-80LH/4	SK572-140TC	SK572-W	40	8	1580	53	2.7	1180	
39	1620	1.9	42.82	SK22-80L/4	SK22-80LH/4	SK22-140TC-80L/4	SK22-140TC-80LH/4	SK22-140TC	SK22-W	39	7.8	1620	52	2.6	1220	
38	1660	1.2	42.69	SK373-80L/4	SK373-80LH/4	SK373-140TC-80L/4	SK373-140TC-80LH/4	SK373-140TC	SK373-W	38	7.6	1660	51	2.5	1240	
37	1710	1.6	45.26	SK473-80L/4	SK473-80LH/4	SK473-140TC-80L/4	SK473-140TC-80LH/4	SK473-140TC	SK473-W	37	7.4	1710	49	2.5	1280	
37	1710	2.3	45.26	SK573-80L/4	SK573-80LH/4	SK573-140TC-80L/4	SK573-140TC-80LH/4	SK573-140TC	SK573-W	37	7.4	1710	49	2.5	1280	
36	1750	1.5	45.90	SK22-80L/4	SK22-80LH/4	SK22-140TC-80L/4	SK22-140TC-80LH/4	SK22-140TC	SK22-W	36	7.2	1750	48	2.4	1310	
36	1750	2.6	46.13	SK672-80L/4	SK672-80LH/4	SK672-140TC-80L/4	SK672-140TC-80LH/4	SK672-140TC	SK672-W	36	7.2	1750	48	2.4	1310	
36	1750	2.7	46.31	SK32-80L/4	SK32-80LH/4	SK32-140TC-80L/4	SK32-140TC-80LH/4	SK32-140TC	SK32-W	36	7.2	1750	48	2.4	1310	
36	1750	3.2	47.00	SK673-80L/4	SK673-80LH/4	SK673-140TC-80L/4	SK673-140TC-80LH/4	SK673-140TC	SK673-W	36	7.2	1750	48	2.4	1310	
35	1810	1.6	46.75	SK472-80L/4	SK472-80LH/4	SK472-140TC-80L/4	SK472-140TC-80LH/4	SK472-140TC	SK472-W	35	7	1810	47	2.3	1350	
35	1810	1.8	46.75	SK572-80L/4	SK572-80LH/4	SK572-140TC-80L/4	SK572-140TC-80LH/4	SK572-140TC	SK572-W	35	7	1810	47	2.3	1350	
34	1860	1	49.42	SK373-80L/4	SK373-80LH/4	SK373-140TC-80L/4	SK373-140TC-80LH/4	SK373-140TC	SK373-W	34	6.8	1860	45	2.3	1390	
32	1970	1.3	51.70	SK472-80L/4	SK472-80LH/4	SK472-140TC-80L/4	SK472-140TC-80LH/4	SK472-140TC	SK472-W	32	6.4	1970	43	2.1	1480	
32	1970	1.3	50.97	SK473-80L/4	SK473-80LH/4	SK473-140TC-80L/4	SK473-140TC-80LH/4	SK473-140TC	SK473-W	32	6.4	1970	43	2.1	1480	
32	1970	1.7	51.70	SK572-80L/4	SK572-80LH/4	SK572-140TC-80L/4	SK572-140TC-80LH/4	SK572-140TC	SK572-W	32	6.4	1970	43	2.1	1480	
32	1970	2	50.97	SK573-80L/4	SK573-80LH/4	SK573-140TC-80L/4	SK573-140TC-80LH/4	SK573-140TC	SK573-W	32	6.4	1970	43	2.1	1480	
32	1970	2.1	52.03	SK672-80L/4	SK672-80LH/4	SK672-140TC-80L/4	SK672-140TC-80LH/4	SK672-140TC	SK672-W	32	6.4	1970	43	2.1	1480	
32	1970	2.8	52.12	SK673-80L/4	SK673-80LH/4	SK673-140TC-80L/4	SK673-140TC-80LH/4	SK673-140TC	SK673-W	32	6.4	1970	43	2.1	1480	
31	2040	1.3	53.42	SK473-80L/4	SK473-80LH/4	SK473-140TC-80L/4	SK473-140TC-80LH/4	SK473-140TC	SK473-W	31	6.2	2040	41	2.1	1530	
31	2040	2	53.42	SK573-80L/4	SK573-80LH/4	SK573-140TC-80L/4	SK573-140TC-80LH/4	SK573-140TC	SK573-W	31	6.2	2040	41	2.1	1530	
30	2100	1.3	55.28	SK22-80L/4	SK22-80LH/4	SK22-140TC-80L/4	SK22-140TC-80LH/4	SK22-140TC	SK22-W	30	6	2100	40	2	1570	
29	2180	1.2	57.96	SK473-80L/4	SK473-80LH/4	SK473-140TC-80L/4	SK473-140TC-80LH/4	SK473-140TC	SK473-W	29	5.8	2180	39	1.9	1630	
29	2180	1.7	56.90	SK672-80L/4	SK672-80LH/4	SK672-140TC-80L/4	SK672-140TC-80LH/4	SK672-140TC	SK672-W	29	5.8	2180	39	1.9	1630	
29	2180	1.8	57.96	SK573-80L/4	SK573-80LH/4	SK573-140TC-80L/4	SK573-140TC-80LH/4	SK573-140TC	SK573-W	29	5.8	2180	39	1.9	1630	
29	2180	2.5	57.53	SK32-80L/4	SK32-80LH/4	SK32-140TC-80L/4	SK32-140TC-80LH/4	SK32-140TC	SK32-W	29	5.8	2180	39	1.9	1630	
29	2180	2.6	57.30	SK673-80L/4	SK673-80LH/4	SK673-140TC-80L/4	SK673-140TC-80LH/4	SK673-140TC	SK673-W	29	5.8	2180	39	1.9	1630	
28	2250	1.7	59.53	SK772-80L/4	SK772-80LH/4	SK772-140TC-80L/4	SK772-140TC-80LH/4	SK772-140TC	SK772-W	28	5.6	2250	37	1.9	1690	
26	2430	1.1	64.10	SK473-80L/4	SK473-80LH/4	SK473-140TC-80L/4	SK473-140TC-80LH/4	SK473-140TC	SK473-W	26	5.2	2430	35	1.7	1820	
26	2430	1.6	64.10	SK573-80L/4	SK573-80LH/4	SK573-140TC-80L/4	SK573-140TC-80LH/4	SK573-140TC	SK573-W	26	5.2	2430	35	1.7	1820	
26	2430	1.7	62.32	SK772-80L/4	SK772-80LH/4	SK772-140TC-80L/4	SK772-140TC-80LH/4	SK772-140TC	SK772-W	26	5.2	2430	35	1.7	1820	
26	2430	2.3	64.26	SK32-80L/4	SK32-80LH/4	SK32-140TC-80L/4	SK32-140TC-80LH/4	SK32-140TC	SK32-W	26	5.2	2430	35	1.7	1820	
26	2430	3.2	64.94	SK773-80L/4	SK773-80LH/4	SK773-140TC-80L/4	SK773-140TC-80LH/4	SK773-140TC	SK773-W	26	5.2	2430	35	1.7	1820	
25	2520	1.2	64.80	SK23-80L/4	SK23-80LH/4	SK23-140TC-80L/4	SK23-140TC-80LH/4	SK23-140TC	SK23-W	25	5	2520	33	1.7	1890	
25	2520	1.6	64.18	SK672-80L/4	SK672-80LH/4	SK672-140TC-80L/4	SK672-140TC-80LH/4	SK672-140TC	SK672-W	25	5	2520	33	1.7	1890	
25	2520	3	68.49	SK773-80L/4	SK773-80LH/4	SK773-140TC-80L/4	SK773-140TC-80LH/4	SK773-140TC	SK773-W	25	5	2520	33	1.7	1890	
24	2630	2.1	67.98	SK673-80L/4	SK673-80LH/4	SK673-140TC-80L/4	SK673-140TC-80LH/4	SK673-140TC	SK673-W	24	4.8	2630	32	1.6	1970	
24	2630	3.6	70.12	SK43-80L/4	SK43-80LH/4	SK43-140TC-80L/4	SK43-140TC-80LH/4	SK43-140TC	SK43-W	24	4.8	2630	32	1.6	1970	



1 hp



Gearmotors & Speed Reducers

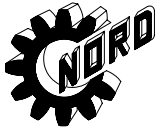
Output Speed n ₂	Output Torque T ₂ [lb-in]	SF f _B	Gear Ratio i	Integral Gearmotor		Gearmotor C-Face		Reducer		5:1 Inverter Duty			20:1 Inverter Duty			
				Standard Motor	EE Motor	Standard Motor	EE Motor	Input	Solid Input Shaft	[60Hz]		[12Hz]		[80Hz]		[4Hz]
										n ₆₀ [rpm]	n ₁₂ [rpm]	T ₆₀ [lb-in]	n ₈₀ [rpm]	n ₄ [rpm]	T ₈₀ [lb-in]	
23	2740	1	72.18	SK473-80L/4	SK473-80LH/4	SK473-140TC-80L/4	SK473-140TC-80LH/4	SK473-140TC	SK473-W	23	4.6	2740	31	1.5	2060	
23	2740	1.5	72.18	SK573-80L/4	SK573-80LH/4	SK573-140TC-80L/4	SK573-140TC-80LH/4	SK573-140TC	SK573-W	23	4.6	2740	31	1.5	2060	
23	2740	1.8	72.76	SK32-80L/4	SK32-80LH/4	SK32-140TC-80L/4	SK32-140TC-80LH/4	SK32-140TC	SK32-W	23	4.6	2740	31	1.5	2060	
23	2740	2.8	75.95	SK773-80L/4	SK773-80LH/4	SK773-140TC-80L/4	SK773-140TC-80LH/4	SK773-140TC	SK773-W	23	4.6	2740	31	1.5	2060	
22	2870	1.9	75.38	SK673-80L/4	SK673-80LH/4	SK673-140TC-80L/4	SK673-140TC-80LH/4	SK673-140TC	SK673-W	22	4.4	2870	29	1.5	2150	
21	3000	1	78.05	SK23-80L/4	SK23-80LH/4	SK23-140TC-80L/4	SK23-140TC-80LH/4	SK23-140TC	SK23-W	21	4.2	3000	28	1.4	2250	
21	3000	3.5	79.96	SK43-80L/4	SK43-80LH/4	SK43-140TC-80L/4	SK43-140TC-80LH/4	SK43-140TC	SK43-W	21	4.2	3000	28	1.4	2250	
20	3150	1.3	82.08	SK573-80L/4	SK573-80LH/4	SK573-140TC-80L/4	SK573-140TC-80LH/4	SK573-140TC	SK573-W	20	4	3150	27	1.3	2360	
20	3150	1.4	81.27	SK32-80L/4	SK32-80LH/4	SK32-140TC-80L/4	SK32-140TC-80LH/4	SK32-140TC	SK32-W	20	4	3150	27	1.3	2360	
20	3150	2.4	80.14	SK773-80L/4	SK773-80LH/4	SK773-140TC-80L/4	SK773-140TC-80LH/4	SK773-140TC	SK773-W	20	4	3150	27	1.3	2360	
19	3320	1.4	88.18	SK33N-80L/4	SK33N-80LH/4	SK33N-140TC-80L/4	SK33N-140TC-80LH/4	SK33N-140TC	SK33N-W	19	3.8	3320	25	1.3	2490	
19	3320	1.7	84.47	SK673-80L/4	SK673-80LH/4	SK673-140TC-80L/4	SK673-140TC-80LH/4	SK673-140TC	SK673-W	19	3.8	3320	25	1.3	2490	
17	3710	1.1	95.90	SK573-80L/4	SK573-80LH/4	SK573-140TC-80L/4	SK573-140TC-80LH/4	SK573-140TC	SK573-W	17	3.4	3710	23	1.1	2780	
17	3710	1.6	98.15	SK773-80L/4	SK773-80LH/4	SK773-140TC-80L/4	SK773-140TC-80LH/4	SK773-140TC	SK773-W	17	3.4	3710	23	1.1	2780	
17	3710	3	94.96	SK43-80L/4	SK43-80LH/4	SK43-140TC-80L/4	SK43-140TC-80LH/4	SK43-140TC	SK43-W	17	3.4	3710	23	1.1	2780	
16	3940	1	106.70	SK573-80L/4	SK573-80LH/4	SK573-140TC-80L/4	SK573-140TC-80LH/4	SK573-140TC	SK573-W	16	3.2	3940	21	1.1	2950	
16	3940	1.4	103.46	SK673-80L/4	SK673-80LH/4	SK673-140TC-80L/4	SK673-140TC-80LH/4	SK673-140TC	SK673-W	16	3.2	3940	21	1.1	2950	
15	4200	1.2	112.18	SK33N-80L/4	SK33N-80LH/4	SK33N-140TC-80L/4	SK33N-140TC-80LH/4	SK33N-140TC	SK33N-W	15	3	4200	20	1	3150	
15	4200	2.3	107.51	SK43-80L/4	SK43-80LH/4	SK43-140TC-80L/4	SK43-140TC-80LH/4	SK43-140TC	SK43-W	15	3	4200	20	1	3150	
14	4510	1.2	119.31	SK673-80L/4	SK673-80LH/4	SK673-140TC-80L/4	SK673-140TC-80LH/4	SK673-140TC	SK673-W	14	2.8	4510	19	0.93	3380	
14	4510	1.7	115.04	SK773-80L/4	SK773-80LH/4	SK773-140TC-80L/4	SK773-140TC-80LH/4	SK773-140TC	SK773-W	14	2.8	4510	19	0.93	3380	
13	4850	2.3	129.38	SK43-80L/4	SK43-80LH/4	SK43-140TC-80L/4	SK43-140TC-80LH/4	SK43-140TC	SK43-W	13	2.6	4850	17	0.86	3640	
12	5260	1.1	134.02	SK33N-80L/4	SK33N-80LH/4	SK33N-140TC-80L/4	SK33N-140TC-80LH/4	SK33N-140TC	SK33N-W	12	2.4	5260	16	0.8	3940	
12	5260	1.5	140.89	SK773-80L/4	SK773-80LH/4	SK773-140TC-80L/4	SK773-140TC-80LH/4	SK773-140TC	SK773-W	12	2.4	5260	16	0.8	3940	
12	5260	1.8	141.55	SK43-80L/4	SK43-80LH/4	SK43-140TC-80L/4	SK43-140TC-80LH/4	SK43-140TC	SK43-W	12	2.4	5260	16	0.8	3940	
12	5260	3.3	139.34	SK53-80L/4	SK53-80LH/4	SK53-140TC-80L/4	SK53-140TC-80LH/4	SK53-140TC	SK53-W	12	2.4	5260	16	0.8	3940	
11	5740	1	146.13	SK673-80L/4	SK673-80LH/4	SK673-140TC-80L/4	SK673-140TC-80LH/4	SK673-140TC	SK673-W	11	2.2	5740	15	0.73	4300	
11	5740	1.3	148.64	SK773-80L/4	SK773-80LH/4	SK773-140TC-80L/4	SK773-140TC-80LH/4	SK773-140TC	SK773-W	11	2.2	5740	15	0.73	4300	
10	6300	1.6	169.86	SK43-80L/4	SK43-80LH/4	SK43-140TC-80L/4	SK43-140TC-80LH/4	SK43-140TC	SK43-W	10	2	6300	13	0.67	4730	



1.5 hp Gearmotors & Speed Reducers



Output Speed n ₂ [rpm]	Output Torque T ₂ [lb-in]	SF f _B	Gear Ratio i	Integral Gearmotor		Gearmotor C-Face		Reducer		5:1 Inverter Duty			20:1 Inverter Duty		
				Standard Motor	EE Motor	Standard Motor	EE Motor	C-Face Input	Solid Input Shaft	[60Hz]	[12Hz]	T ₆₀	[80Hz]	[4Hz]	T ₈₀
				SK11E-90S/4	SK11E-90SH/4	SK11E-140TC-90S/4	SK11E-140TC-90SH/4	SK11E-140TC	SK11E-W	n ₆₀	n ₁₂	[rpm]	n ₈₀	n ₄	[rpm]
1230	77	5.8	1.35	SK11E-90S/4	SK11E-90SH/4	SK11E-140TC-90S/4	SK11E-140TC-90SH/4	SK11E-140TC	SK11E-W	1230	246	77	1635	82	58
1078	88	5	1.54	SK11E-90S/4	SK11E-90SH/4	SK11E-140TC-90S/4	SK11E-140TC-90SH/4	SK11E-140TC	SK11E-W	1078	216	88	1435	72	66
917	106	3.9	1.81	SK11E-90S/4	SK11E-90SH/4	SK11E-140TC-80L/4	SK11E-140TC-80LH/4	SK11E-140TC	SK11E-W	917	183	106	1220	61	80
862	106	3.3	1.93	SK172-90S/4	SK172-90SH/4	SK172-140TC-90S/4	SK172-140TC-90SH/4	SK172-140TC	SK172-W	862	172	106	1145	57	80
814	115	3.8	2.04	SK11E-90S/4	SK11E-90SH/4	SK11E-140TC-90S/4	SK11E-140TC-90SH/4	SK11E-140TC	SK11E-W	814	163	115	1085	54	86
745	124	3.2	2.23	SK172-90S/4	SK172-90SH/4	SK172-140TC-90S/4	SK172-140TC-90SH/4	SK172-140TC	SK172-W	745	149	124	991	50	93
716	133	3.2	2.32	SK11E-90S/4	SK11E-90SH/4	SK11E-140TC-90S/4	SK11E-140TC-90SH/4	SK11E-140TC	SK11E-W	716	143	133	952	48	100
635	150	2.8	2.62	SK172-90S/4	SK172-90SH/4	SK172-140TC-90S/4	SK172-140TC-90SH/4	SK172-140TC	SK172-W	635	127	150	845	42	113
587	159	3	2.83	SK11E-90S/4	SK11E-90SH/4	SK11E-140TC-90S/4	SK11E-140TC-90SH/4	SK11E-140TC	SK11E-W	587	117	159	781	39	119
563	168	2.4	2.95	SK02-90S/4	SK02-90SH/4	SK02-140TC-90S/4	SK02-140TC-90SH/4	SK02-140TC	SK02-W	563	113	168	749	37	126
548	177	2.4	3.03	SK172-90S/4	SK172-90SH/4	SK172-140TC-90S/4	SK172-140TC-90SH/4	SK172-140TC	SK172-W	548	110	177	729	36	133
522	177	2	3.18	SK11E-90S/4	SK11E-90SH/4	SK11E-140TC-90S/4	SK11E-140TC-90SH/4	SK11E-140TC	SK11E-W	522	104	177	694	35	133
493	195	2.2	3.37	SK172-90S/4	SK172-90SH/4	SK172-140TC-90S/4	SK172-140TC-90SH/4	SK172-140TC	SK172-W	493	99	195	656	33	146
491	195	2.3	3.38	SK02-90S/4	SK02-90SH/4	SK02-140TC-90S/4	SK02-140TC-90SH/4	SK02-140TC	SK02-W	491	98	195	653	33	146
461	205	1.8	3.60	SK11E-90S/4	SK11E-90SH/4	SK11E-140TC-90S/4	SK11E-140TC-90SH/4	SK11E-140TC	SK11E-W	461	92	205	613	31	153
427	220	2.1	3.89	SK02-90S/4	SK02-90SH/4	SK02-140TC-90S/4	SK02-140TC-90SH/4	SK02-140TC	SK02-W	427	85	220	568	28	166
426	220	2	3.90	SK172-90S/4	SK172-90SH/4	SK172-140TC-90S/4	SK172-140TC-90SH/4	SK172-140TC	SK172-W	426	85	220	567	28	166
417	230	3.9	3.98	SK12-90S/4	SK12-90SH/4	SK12-140TC-90S/4	SK12-140TC-90SH/4	SK12-140TC	SK12-W	417	83	230	555	28	173
408	230	2	4.07	SK172-90S/4	SK172-90SH/4	SK172-140TC-90S/4	SK172-140TC-90SH/4	SK172-140TC	SK172-W	408	82	230	543	27	173
393	240	1.9	4.22	SK02-90S/4	SK02-90SH/4	SK02-140TC-90S/4	SK02-140TC-90SH/4	SK02-140TC	SK02-W	393	79	240	523	26	179
384	250	4	4.32	SK12-90S/4	SK12-90SH/4	SK12-140TC-90S/4	SK12-140TC-90SH/4	SK12-140TC	SK12-W	384	77	250	511	26	186
371	255	3.7	4.57	SK272-90S/4	SK272-90SH/4	SK272-140TC-90S/4	SK272-140TC-90SH/4	SK272-140TC	SK272-W	371	74	255	493	25	193
370	255	3.8	4.49	SK12-90S/4	SK12-90SH/4	SK12-140TC-90S/4	SK12-140TC-90SH/4	SK12-140TC	SK12-W	370	74	255	492	25	193
361	260	1.9	4.60	SK21E-90S/4	SK21E-90SH/4	SK21E-140TC-90S/4	SK21E-140TC-90SH/4	SK21E-140TC	SK21E-W	361	72	260	480	24	197
353	265	1.8	4.71	SK172-90S/4	SK172-90SH/4	SK172-140TC-90S/4	SK172-140TC-90SH/4	SK172-140TC	SK172-W	353	71	265	469	23	200
344	275	1.8	4.82	SK02-90S/4	SK02-90SH/4	SK02-140TC-90S/4	SK02-140TC-90SH/4	SK02-140TC	SK02-W	344	69	275	458	23	205
341	275	3.5	4.96	SK272-90S/4	SK272-90SH/4	SK272-140TC-90S/4	SK272-140TC-90SH/4	SK272-140TC	SK272-W	341	68	275	454	23	205
337	285	3.7	4.93	SK12-90S/4	SK12-90SH/4	SK12-140TC-90S/4	SK12-140TC-90SH/4	SK12-140TC	SK12-W	337	67	285	448	22	210
319	290	1.7	5.21	SK172-90S/4	SK172-90SH/4	SK172-140TC-90S/4	SK172-140TC-90SH/4	SK172-140TC	SK172-W	319	64	290	424	21	220
301	320	3.4	5.62	SK272-90S/4	SK272-90SH/4	SK272-140TC-90S/4	SK272-140TC-90SH/4	SK272-140TC	SK272-W	301	60	320	400	20	240
298	320	1.6	5.57	SK02-90S/4	SK02-90SH/4	SK02-140TC-90S/4	SK02-140TC-90SH/4	SK02-140TC	SK02-W	298	60	320	396	20	240
289	325	1.5	5.74	SK172-90S/4	SK172-90SH/4	SK172-140TC-90S/4	SK172-140TC-90SH/4	SK172-140TC	SK172-W	289	58	325	384	19	245
287	325	3.3	5.79	SK12-90S/4	SK12-90SH/4	SK12-140TC-90S/4	SK12-140TC-90SH/4	SK12-140TC	SK12-W	287	57	325	382	19	245
272	345	1.5	6.10	SK02-90S/4	SK02-90SH/4	SK02-140TC-90S/4	SK02-140TC-90SH/4	SK02-140TC	SK02-W	272	54	345	362	18	260
266	355	3.4	6.34	SK272-90S/4	SK272-90SH/4	SK272-140TC-90S/4	SK272-140TC-90SH/4	SK272-140TC	SK272-W	266	53	355	354	18	265
262	365	1.4	6.34	SK172-90S/4	SK172-90SH/4	SK172-140TC-90S/4	SK172-140TC-90SH/4	SK172-140TC	SK172-W	262	52	365	348	17	270
259	365	1.6	6.40	SK21E-90S/4	SK21E-90SH/4	SK21E-140TC-90S/4	SK21E-140TC-90SH/4	SK21E-140TC	SK21E-W	259	52	365	344	17	275
254	370	3	6.53	SK12-90S/4	SK12-90SH/4	SK12-140TC-90S/4	SK12-140TC-90SH/4	SK12-140TC	SK12-W	254	51	370	338	17	280
251	380	3.3	6.75	SK272-90S/4	SK272-90SH/4	SK272-140TC-90S/4	SK272-140TC-90SH/4	SK272-140TC	SK272-W	251	50	380	334	17	285
251	380	3.4	6.75	SK372-90S/4	SK372-90SH/4	SK372-140TC-90S/4	SK372-140TC-90SH/4	SK372-140TC	SK372-W	251	50	380	334	17	285
241	390	1.4	6.89	SK02-90S/4	SK02-90SH/4	SK02-140TC-90S/4	SK02-140TC-90SH/4	SK02-140TC	SK02-W	241	48	390	321	16	290
240	400	1.4	6.94	SK172-90S/4	SK172-90SH/4	SK172-140TC-90S/4	SK172-140TC-90SH/4	SK172-140TC	SK172-W	240	48	400	319	16	300
228	415	2.6	7.28	SK12-90S/4	SK12-90SH/4	SK12-140TC-90S/4	SK12-140TC-90SH/4	SK12-140TC	SK12-W	228	46	415	303	15	310
222	425	2.9	7.64	SK272-90S/4	SK272-90SH/4	SK272-140TC-90S/4	SK272-140TC-90SH/4	SK272-140TC	SK272-W	222	44	425	295	15	320
222	425	3.3	7.64	SK372-90S/4	SK372-90SH/4	SK372-140TC-90S/4	SK372-140TC-90SH/4	SK372-140TC	SK372-W	222	44	425	295	15	320
216	435	1.3	7.68	SK172-90S/4	SK172-90SH/4	SK172-140TC-90S/4	SK172-140TC-90SH/4	SK172-140TC	SK172-W	216	43	435	287	14	325
213	445	1.3	7.80	SK02-90S/4	SK02-90SH/4	SK02-140TC-90S/4	SK02-140TC-90SH/4	SK02-140TC	SK02-W	213	43	445	283	14	330
211	450	2.6	7.85	SK12-90S/4	SK12-90SH/4	SK12-140TC-90S/4	SK12-140TC-90SH/4	SK12-140TC	SK12-W	211	42	450	281	14	340
210	450	1.2	7.90	SK21E-90S/4	SK21E-90SH/4	SK21E-140TC-90S/4	SK21E-140TC-90SH/4	SK21E-140TC	SK21E-W	210	42	450	279	14	340



1.5 hp Gearmotors & Speed Reducers



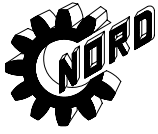
Output Speed n ₂ [rpm]	Output Torque T ₂ [lb-in]	SF f _s	Gear Ratio i	Integral Gearmotor		Gearmotor C-Face		Reducer		5:1 Inverter Duty			20:1 Inverter Duty			
				Standard Motor	EE Motor	Standard Motor	EE Motor	C-Face Input	Solid Input Shaft	[60Hz]		[12Hz]		[80Hz]		[4Hz]
										n ₆₀ [rpm]	n ₁₂ [rpm]	T ₆₀ [lb-in]	n ₈₀ [rpm]	n ₄ [rpm]	T ₈₀ [lb-in]	
203	470	1.2	8.19	SK02-90S/4	SK02-90SH/4	SK02-140TC-90S/4	SK02-140TC-90SH/4	SK02-140TC	SK02-W	203	41	470	270	13	350	
202	470	1.4	8.25	SK172-90S/4	SK172-90SH/4	SK172-140TC-90S/4	SK172-140TC-90SH/4	SK172-140TC	SK172-W	202	40	470	269	13	350	
196	485	2.6	8.65	SK272-90S/4	SK272-90SH/4	SK272-140TC-90S/4	SK272-140TC-90SH/4	SK272-140TC	SK272-W	196	39	485	261	13	365	
196	485	3.1	8.65	SK372-90S/4	SK372-90SH/4	SK372-140TC-90S/4	SK372-140TC-90SH/4	SK372-140TC	SK372-W	196	39	485	261	13	365	
194	485	2.4	8.56	SK12-90S/4	SK12-90SH/4	SK12-140TC-90S/4	SK12-140TC-90SH/4	SK12-140TC	SK12-W	194	39	485	258	13	365	
179	530	1.1	9.28	SK02-90S/4	SK02-90SH/4	SK02-140TC-90S/4	SK02-140TC-90SH/4	SK02-140TC	SK02-W	179	36	530	238	12	400	
178	530	1.2	9.35	SK172-90S/4	SK172-90SH/4	SK172-140TC-90S/4	SK172-140TC-90SH/4	SK172-140TC	SK172-W	178	36	530	237	12	400	
172	550	2.2	9.65	SK12-90S/4	SK12-90SH/4	SK12-140TC-90S/4	SK12-140TC-90SH/4	SK12-140TC	SK12-W	172	34	550	229	11	410	
172	550	2.3	9.90	SK272-90S/4	SK272-90SH/4	SK272-140TC-90S/4	SK272-140TC-90SH/4	SK272-140TC	SK272-W	172	34	550	229	11	410	
172	550	2.7	9.90	SK372-90S/4	SK372-90SH/4	SK372-140TC-90S/4	SK372-140TC-90SH/4	SK372-140TC	SK372-W	172	34	550	229	11	410	
167	565	1	9.95	SK02-90S/4	SK02-90SH/4	SK02-140TC-90S/4	SK02-140TC-90SH/4	SK02-140TC	SK02-W	167	33	565	222	11	425	
166	565	1.2	10.07	SK172-90S/4	SK172-90SH/4	SK172-140TC-90S/4	SK172-140TC-90SH/4	SK172-140TC	SK172-W	166	33	565	221	11	425	
163	580	1.4	10.20	SK31E-90S/4	SK31E-90SH/4	SK31E-140TC-90S/4	SK31E-140TC-90SH/4	SK31E-140TC	SK31E-W	163	33	580	217	11	435	
155	610	1.9	10.70	SK12-90S/4	SK12-90SH/4	SK12-140TC-90S/4	SK12-140TC-90SH/4	SK12-140TC	SK12-W	155	31	610	206	10	460	
152	620	2	11.17	SK272-90S/4	SK272-90SH/4	SK272-140TC-90S/4	SK272-140TC-90SH/4	SK272-140TC	SK272-W	152	30	620	202	10	465	
152	620	2.4	11.17	SK372-90S/4	SK372-90SH/4	SK372-140TC-90S/4	SK372-140TC-90SH/4	SK372-140TC	SK372-W	152	30	620	202	10	465	
152	620	3.8	10.89	SK22-90S/4	SK22-90SH/4	SK22-140TC-90S/4	SK22-140TC-90SH/4	SK22-140TC	SK22-W	152	30	620	202	10	465	
146	645	1.1	11.41	SK172-90S/4	SK172-90SH/4	SK172-140TC-90S/4	SK172-140TC-90SH/4	SK172-140TC	SK172-W	146	29	645	194	9.7	485	
143	665	1.9	11.88	SK272-90S/4	SK272-90SH/4	SK272-140TC-90S/4	SK272-140TC-90SH/4	SK272-140TC	SK272-W	143	29	665	190	9.5	500	
143	665	2.5	11.88	SK372-90S/4	SK372-90SH/4	SK372-140TC-90S/4	SK372-140TC-90SH/4	SK372-140TC	SK372-W	143	29	665	190	9.5	500	
136	700	3.7	12.20	SK22-90S/4	SK22-90SH/4	SK22-140TC-90S/4	SK22-140TC-90SH/4	SK22-140TC	SK22-W	136	27	700	181	9	525	
127	745	1.7	13.41	SK272-90S/4	SK272-90SH/4	SK272-140TC-90S/4	SK272-140TC-90SH/4	SK272-140TC	SK272-W	127	25	745	169	8.4	555	
127	745	2.3	13.41	SK372-90S/4	SK372-90SH/4	SK372-140TC-90S/4	SK372-140TC-90SH/4	SK372-140TC	SK372-W	127	25	745	169	8.4	555	
124	760	1.7	13.39	SK12-90S/4	SK12-90SH/4	SK12-140TC-90S/4	SK12-140TC-90SH/4	SK12-140TC	SK12-W	124	25	760	165	8.2	570	
113	840	3.6	14.69	SK22-90S/4	SK22-90SH/4	SK22-140TC-90S/4	SK22-140TC-90SH/4	SK22-140TC	SK22-W	113	23	840	150	7.5	630	
112	840	1.4	14.80	SK41E-90S/4	SK41E-90SH/4	SK41E-140TC-90S/4	SK41E-140TC-90SH/4	SK41E-140TC	SK41E-W	112	22	840	149	7.4	635	
112	840	1.5	15.10	SK272-90S/4	SK272-90SH/4	SK272-140TC-90S/4	SK272-140TC-90SH/4	SK272-140TC	SK272-W	112	22	840	149	7.4	630	
112	840	2	15.10	SK372-90S/4	SK372-90SH/4	SK372-140TC-90S/4	SK372-140TC-90SH/4	SK372-140TC	SK372-W	112	22	840	149	7.4	630	
104	910	1.9	16.28	SK373-90S/4	SK373-90SH/4	SK373-140TC-90S/4	SK373-140TC-90SH/4	SK373-140TC	SK373-W	104	21	910	138	6.9	685	
102	930	2.8	16.63	SK472-90S/4	SK472-90SH/4	SK472-140TC-90S/4	SK472-140TC-90SH/4	SK472-140TC	SK472-W	102	20	930	136	6.8	695	
99	960	1.4	16.73	SK12-90S/4	SK12-90SH/4	SK12-140TC-90S/4	SK12-140TC-90SH/4	SK12-140TC	SK12-W	99	20	960	132	6.6	715	
99	960	3.1	16.75	SK22-90S/4	SK22-90SH/4	SK22-140TC-90S/4	SK22-140TC-90SH/4	SK22-140TC	SK22-W	99	20	960	132	6.6	715	
98	970	1.3	17.17	SK272-90S/4	SK272-90SH/4	SK272-140TC-90S/4	SK272-140TC-90SH/4	SK272-140TC	SK272-W	98	20	970	130	6.5	725	
98	970	1.8	17.17	SK372-90S/4	SK372-90SH/4	SK372-140TC-90S/4	SK372-140TC-90SH/4	SK372-140TC	SK372-W	98	20	970	130	6.5	725	
92	1030	2.6	18.44	SK472-90S/4	SK472-90SH/4	SK472-140TC-90S/4	SK472-140TC-90SH/4	SK472-140TC	SK472-W	92	18	1030	122	6.1	770	
91	1040	1.2	18.59	SK272-90S/4	SK272-90SH/4	SK272-140TC-90S/4	SK272-140TC-90SH/4	SK272-140TC	SK272-W	91	18	1040	121	6.1	775	
91	1040	1.7	18.59	SK372-90S/4	SK372-90SH/4	SK372-140TC-90S/4	SK372-140TC-90SH/4	SK372-140TC	SK372-W	91	18	1040	121	6.1	775	
88	1070	1.3	18.79	SK12-90S/4	SK12-90SH/4	SK12-140TC-90S/4	SK12-140TC-90SH/4	SK12-140TC	SK12-W	88	18	1070	117	5.9	800	
86	1100	2.6	20.17	SK472-90S/4	SK472-90SH/4	SK472-140TC-90S/4	SK472-140TC-90SH/4	SK472-140TC	SK472-W	86	17	1100	114	5.7	820	
84	1120	1.1	20.06	SK272-90S/4	SK272-90SH/4	SK272-140TC-90S/4	SK272-140TC-90SH/4	SK272-140TC	SK272-W	84	17	1120	112	5.6	840	
84	1120	1.6	20.06	SK372-90S/4	SK372-90SH/4	SK372-140TC-90S/4	SK372-140TC-90SH/4	SK372-140TC	SK372-W	84	17	1120	112	5.6	840	
83	1140	1.8	20.90	SK473-90S/4	SK473-90SH/4	SK473-140TC-90S/4	SK473-140TC-90SH/4	SK473-140TC	SK473-W	83	17	1140	110	5.5	860	
83	1140	2.2	20.03	SK22-90S/4	SK22-90SH/4	SK22-140TC-90S/4	SK22-140TC-90SH/4	SK22-140TC	SK22-W	83	17	1140	110	5.5	860	
80	1190	1	20.96	SK272-90S/4	SK272-90SH/4	SK272-140TC-90S/4	SK272-140TC-90SH/4	SK272-140TC	SK272-W	80	16	1190	106	5.3	890	
80	1190	1.5	20.96	SK372-90S/4	SK372-90SH/4	SK372-140TC-90S/4	SK372-140TC-90SH/4	SK372-140TC	SK372-W	80	16	1190	106	5.3	890	
78	1210	1.2	21.28	SK12-90S/4	SK12-90SH/4	SK12-140TC-90S/4	SK12-140TC-90SH/4	SK12-140TC	SK12-W	78	16	1210	104	5.2	910	
74	1270	1.5	22.37	SK373-90S/4	SK373-90SH/4	SK373-140TC-90S/4	SK373-140TC-90SH/4	SK373-140TC	SK373-W	74	15	1270	98	4.9	960	
73	1290	1.6	23.10	SK473-90S/4	SK473-90SH/4	SK473-140TC-90S/4	SK473-140TC-90SH/4	SK473-140TC	SK473-W	73	15	1290	97	4.9	970	
73	1290	2.2	23.16	SK472-90S/4	SK472-90SH/4	SK472-140TC-90S/4	SK472-140TC-90SH/4	SK472-140TC	SK472-W	73	15	1290	97	4.9	970	



1.5 hp Gearmotors & Speed Reducers



Output Speed n ₂	Output Torque T ₂ [lb-in]	SF f _B	Gear Ratio i	Integral Gearmotor		Gearmotor C-Face		Reducer		5:1 Inverter Duty			20:1 Inverter Duty			
				Standard Motor	EE Motor	Standard Motor	EE Motor	Input	Solid Input Shaft	[60Hz]		[12Hz]		[80Hz]		[4Hz]
										n ₆₀ [rpm]	n ₁₂ [rpm]	T ₆₀ [lb-in]	n ₈₀ [rpm]	n ₄ [rpm]	T ₈₀ [lb-in]	
70	1350	2.1	23.74	SK22-90S/4	SK22-90SH/4	SK22-140TC-90S/4	SK22-140TC-90SH/4	SK22-140TC	SK22-W	70	14	1350	93	4.7	1020	
68	1390	1.4	24.26	SK373-90S/4	SK373-90SH/4	SK373-140TC-90S/4	SK373-140TC-90SH/4	SK373-140TC	SK373-W	68	14	1390	90	4.5	1040	
67	1410	1.3	25.28	SK372-90S/4	SK372-90SH/4	SK372-140TC-90S/4	SK372-140TC-90SH/4	SK372-140TC	SK372-W	67	13	1410	89	4.5	1060	
67	1410	1.5	24.73	SK22-90S/4	SK22-90SH/4	SK22-140TC-90S/4	SK22-140TC-90SH/4	SK22-140TC	SK22-W	67	13	1410	89	4.5	1060	
66	1430	1.5	25.60	SK473-90S/4	SK473-90SH/4	SK473-140TC-90S/4	SK473-140TC-90SH/4	SK473-140TC	SK473-W	66	13	1430	88	4.4	1080	
66	1430	2.8	25.60	SK573-90S/4	SK573-90SH/4	SK573-140TC-90S/4	SK573-140TC-90SH/4	SK573-140TC	SK573-W	66	13	1430	88	4.4	1080	
64	1480	1.9	26.70	SK472-90S/4	SK472-90SH/4	SK472-140TC-90S/4	SK472-140TC-90SH/4	SK472-140TC	SK472-W	64	13	1480	85	4.3	1110	
64	1480	2.7	26.70	SK572-90S/4	SK572-90SH/4	SK572-140TC-90S/4	SK572-140TC-90SH/4	SK572-140TC	SK572-W	64	13	1480	85	4.3	1110	
62	1520	2.5	26.57	SK32-90S/4	SK32-90SH/4	SK32-140TC-90S/4	SK32-140TC-90SH/4	SK32-140TC	SK32-W	62	12	1520	82	4.1	1140	
60	1580	1.2	27.78	SK373-90S/4	SK373-90SH/4	SK373-140TC-90S/4	SK373-140TC-90SH/4	SK373-140TC	SK373-W	60	12	1580	80	4	1180	
59	1600	1.1	28.59	SK372-90S/4	SK372-90SH/4	SK372-140TC-90S/4	SK372-140TC-90SH/4	SK372-140TC	SK372-W	59	12	1600	78	3.9	1200	
59	1600	1.5	29.01	SK473-90S/4	SK473-90SH/4	SK473-140TC-90S/4	SK473-140TC-90SH/4	SK473-140TC	SK473-W	59	12	1600	78	3.9	1200	
59	1600	2.5	29.01	SK573-90S/4	SK573-90SH/4	SK573-140TC-90S/4	SK573-140TC-90SH/4	SK573-140TC	SK573-W	59	12	1600	78	3.9	1200	
58	1630	1.6	28.83	SK472-90S/4	SK472-90SH/4	SK472-140TC-90S/4	SK472-140TC-90SH/4	SK472-140TC	SK472-W	58	12	1630	77	3.9	1220	
58	1630	2	28.80	SK22-90S/4	SK22-90SH/4	SK22-140TC-90S/4	SK22-140TC-90SH/4	SK22-140TC	SK22-W	58	12	1630	77	3.9	1220	
58	1630	2	28.83	SK572-90S/4	SK572-90SH/4	SK572-140TC-90S/4	SK572-140TC-90SH/4	SK572-140TC	SK572-W	58	12	1630	77	3.9	1220	
57	1660	1.6	29.31	SK22-90S/4	SK22-90SH/4	SK22-140TC-90S/4	SK22-140TC-90SH/4	SK22-140TC	SK22-W	57	11	1660	76	3.8	1240	
53	1790	2.5	31.16	SK32-90S/4	SK32-90SH/4	SK32-140TC-90S/4	SK32-140TC-90SH/4	SK32-140TC	SK32-W	53	11	1790	70	3.5	1340	
52	1820	1.4	32.94	SK473-90S/4	SK473-90SH/4	SK473-140TC-90S/4	SK473-140TC-90SH/4	SK473-140TC	SK473-W	52	10	1820	69	3.5	1370	
52	1820	2.2	32.94	SK573-90S/4	SK573-90SH/4	SK573-140TC-90S/4	SK573-140TC-90SH/4	SK573-140TC	SK573-W	52	10	1820	69	3.5	1370	
52	1820	2.6	32.82	SK672-90S/4	SK672-90SH/4	SK672-140TC-90S/4	SK672-140TC-90SH/4	SK672-140TC	SK672-W	52	10	1820	69	3.5	1370	
50	1890	1	33.34	SK373-90S/4	SK373-90SH/4	SK373-140TC-90S/4	SK373-140TC-90SH/4	SK373-140TC	SK373-W	50	10	1890	67	3.3	1420	
50	1890	1.5	33.11	SK472-90S/4	SK472-90SH/4	SK472-140TC-90S/4	SK472-140TC-90SH/4	SK472-140TC	SK472-W	50	10	1890	67	3.3	1420	
50	1890	1.8	33.05	SK32-90S/4	SK32-90SH/4	SK32-140TC-90S/4	SK32-140TC-90SH/4	SK32-140TC	SK32-W	50	10	1890	67	3.3	1420	
50	1890	1.9	33.11	SK572-90S/4	SK572-90SH/4	SK572-140TC-90S/4	SK572-140TC-90SH/4	SK572-140TC	SK572-W	50	10	1890	67	3.3	1420	
48	1970	1.5	34.69	SK22-90S/4	SK22-90SH/4	SK22-140TC-90S/4	SK22-140TC-90SH/4	SK22-140TC	SK22-W	48	9.6	1970	64	3.2	1480	
47	2010	1.5	35.55	SK22-90S/4	SK22-90SH/4	SK22-140TC-90S/4	SK22-140TC-90SH/4	SK22-140TC	SK22-W	47	9.4	2010	63	3.1	1510	
46	2050	1.3	37.72	SK473-90S/4	SK473-90SH/4	SK473-140TC-90S/4	SK473-140TC-90SH/4	SK473-140TC	SK473-W	46	9.2	2050	61	3.1	1540	
46	2050	1.9	37.72	SK573-90S/4	SK573-90SH/4	SK573-140TC-90S/4	SK573-140TC-90SH/4	SK573-140TC	SK573-W	46	9.2	2050	61	3.1	1540	
46	2050	2.5	37.02	SK672-90S/4	SK672-90SH/4	SK672-140TC-90S/4	SK672-140TC-90SH/4	SK672-140TC	SK672-W	46	9.2	2050	61	3.1	1540	
45	2100	2.5	37.23	SK32-90S/4	SK32-90SH/4	SK32-140TC-90S/4	SK32-140TC-90SH/4	SK32-140TC	SK32-W	45	9	2100	60	3	1570	
43	2200	1.3	38.17	SK472-90S/4	SK472-90SH/4	SK472-140TC-90S/4	SK472-140TC-90SH/4	SK472-140TC	SK472-W	43	8.6	2200	57	2.9	1650	
43	2200	1.5	38.17	SK572-90S/4	SK572-90SH/4	SK572-140TC-90S/4	SK572-140TC-90SH/4	SK572-140TC	SK572-W	43	8.6	2200	57	2.9	1650	
43	2200	1.8	38.76	SK32-90S/4	SK32-90SH/4	SK32-140TC-90S/4	SK32-140TC-90SH/4	SK32-140TC	SK32-W	43	8.6	2200	57	2.9	1650	
43	2200	2	38.29	SK772-90S/4	SK772-90SH/4	SK772-140TC-90S/4	SK772-140TC-90SH/4	SK772-140TC	SK772-W	43	8.6	2200	57	2.9	1650	
43	2200	2.5	39.62	SK673-90S/4	SK673-90SH/4	SK673-140TC-90S/4	SK673-140TC-90SH/4	SK673-140TC	SK673-W	43	8.6	2200	57	2.9	1650	
42	2250	1.8	40.13	SK672-90S/4	SK672-90SH/4	SK672-140TC-90S/4	SK672-140TC-90SH/4	SK672-140TC	SK672-W	42	8.4	2250	56	2.8	1690	
42	2250	4.3	40.78	SK872-90S/4	SK872-90SH/4	SK872-140TC-90S/4	SK872-140TC-90SH/4	SK872-140TC	SK872-W	42	8.4	2250	56	2.8	1690	
41	2310	1.2	41.03	SK473-90S/4	SK473-90SH/4	SK473-140TC-90S/4	SK473-140TC-90SH/4	SK473-140TC	SK473-W	41	8.2	2310	55	2.7	1730	
41	2310	1.7	41.03	SK573-90S/4	SK573-90SH/4	SK573-140TC-90S/4	SK573-140TC-90SH/4	SK573-140TC	SK573-W	41	8.2	2310	55	2.7	1730	
41	2310	3.3	42.60	SK773-90S/4	SK773-90SH/4	SK773-140TC-90S/4	SK773-140TC-90SH/4	SK773-140TC	SK773-W	41	8.2	2310	55	2.7	1730	
40	2360	1.1	42.21	SK472-90S/4	SK472-90SH/4	SK472-140TC-90S/4	SK472-140TC-90SH/4	SK472-140TC	SK472-W	40	8	2360	53	2.7	1770	
40	2360	1.4	42.21	SK572-90S/4	SK572-90SH/4	SK572-140TC-90S/4	SK572-140TC-90SH/4	SK572-140TC	SK572-W	40	8	2360	53	2.7	1770	
39	2430	1.2	42.82	SK22-90S/4	SK22-90SH/4	SK22-140TC-90S/4	SK22-140TC-90SH/4	SK22-140TC	SK22-W	39	7.8	2430	52	2.6	1820	
38	2490	1.7	43.45	SK772-90S/4	SK772-90SH/4	SK772-140TC-90S/4	SK772-140TC-90SH/4	SK772-140TC	SK772-W	38	7.6	2490	51	2.5	1870	
	2490	4.4	45.81	SK872-90S/4	SK872-90SH/4	SK872-140TC-90S/4	SK872-140TC-90SH/4	SK872-140TC	SK872-W	38	7.6	2490	51	2.5	1870	
37	2560	1	45.26	SK473-90S/4	SK473-90SH/4	SK473-140TC-90S/4	SK473-140TC-90SH/4	SK473-140TC	SK473-W	37	7.4	2560	49	2.5	1920	
37	2560	1.6	45.26	SK573-90S/4	SK573-90SH/4	SK573-140TC-90S/4	SK573-140TC-90SH/4	SK573-140TC	SK573-W	37	7.4	2560	49	2.5	1920	
36	2630	1	45.90	SK22-90S/4	SK22-90SH/4	SK22-140TC-90S/4	SK22-140TC-90SH/4	SK22-140TC	SK22-W	36	7.2	2630	48	2.4	1970	



1.5 hp Gearmotors & Speed Reducers



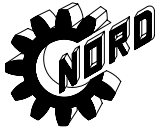
Output Speed n ₂	Output Torque T ₂ [lb-in]	SF f _s	Gear Ratio i	Integral Gearmotor		Gearmotor C-Face		Reducer		5:1 Inverter Duty			20:1 Inverter Duty			
				Standard Motor	EE Motor	Standard Motor	EE Motor	Input	Solid Input Shaft	[60Hz]		[12Hz]		[80Hz]		[4Hz]
										n ₆₀	n ₁₂	T ₆₀	n ₈₀	n ₄	T ₈₀	
36	2630	1.8	46.13	SK672-90S/4	SK672-90SH/4	SK672-140TC-90S/4	SK672-140TC-90SH/4	SK672-140TC	SK672-W	36	7.2	2630	48	2.4	1970	
36	2630	2.1	47.00	SK673-90S/4	SK673-90SH/4	SK673-140TC-90S/4	SK673-140TC-90SH/4	SK673-140TC	SK673-W	36	7.2	2630	48	2.4	1970	
36	2630	2.3	46.25	SK32-90S/4	SK32-90SH/4	SK32-140TC-90S/4	SK32-140TC-90SH/4	SK32-140TC	SK32-W	36	7.2	2630	48	2.4	1970	
35	2700	2.8	49.36	SK773-90S/4	SK773-90SH/4	SK773-140TC-90S/4	SK773-140TC-90SH/4	SK773-140TC	SK773-W	35	7	2700	47	2.3	2020	
35	2700	4.2	49.43	SK873-90S/4	SK873-90SH/4	SK873-140TC-90S/4	SK873-140TC-90SH/4	SK873-140TC	SK873-W	35	7	2700	47	2.3	2020	
34	2780	1.7	48.81	SK772-90S/4	SK772-90SH/4	SK772-140TC-90S/4	SK772-140TC-90SH/4	SK772-140TC	SK772-W	34	6.8	2780	45	2.3	2080	
32	2960	1.3	50.97	SK573-90S/4	SK573-90SH/4	SK573-140TC-90S/4	SK573-140TC-90SH/4	SK573-140TC	SK573-W	32	6.4	2960	43	2.1	2220	
32	2960	1.4	52.03	SK672-90S/4	SK672-90SH/4	SK672-140TC-90S/4	SK672-140TC-90SH/4	SK672-140TC	SK672-W	32	6.4	2960	43	2.1	2220	
32	2960	1.7	51.09	SK772-90S/4	SK772-90SH/4	SK772-140TC-90S/4	SK772-140TC-90SH/4	SK772-140TC	SK772-W	32	6.4	2960	43	2.1	2220	
32	2960	1.9	52.12	SK673-90S/4	SK673-90SH/4	SK673-140TC-90S/4	SK673-140TC-90SH/4	SK673-140TC	SK673-W	32	6.4	2960	43	2.1	2220	
32	2960	4.2	52.79	SK872-90S/4	SK872-90SH/4	SK872-140TC-90S/4	SK872-140TC-90SH/4	SK872-140TC	SK872-W	32	6.4	2960	43	2.1	2220	
31	3050	1.3	53.42	SK573-90S/4	SK573-90SH/4	SK573-140TC-90S/4	SK573-140TC-90SH/4	SK573-140TC	SK573-W	31	6.2	3050	41	2.1	2290	
31	3050	4	55.32	SK873-90S/4	SK873-90SH/4	SK873-140TC-90S/4	SK873-140TC-90SH/4	SK873-140TC	SK873-W	31	6.2	3050	41	2.1	2290	
31	3050	5	53.82	SK63-90S/4	SK63-90SH/4	SK63-140TC-90S/4	SK63-140TC-90SH/4	SK63-140TC	SK63-W	31	6.2	3050	41	2.1	2290	
31	3050	6.1	56.59	SK972-90S/4	SK972-90SH/4	SK972-140TC-90S/4	SK972-140TC-90SH/4	SK972-140TC	SK972-W	31	6.2	3050	41	2.1	2290	
30	3150	2.4	57.73	SK773-90S/4	SK773-90SH/4	SK773-140TC-90S/4	SK773-140TC-90SH/4	SK773-140TC	SK773-W	30	6	3150	40	2	2360	
29	3260	1.2	57.96	SK573-90S/4	SK573-90SH/4	SK573-140TC-90S/4	SK573-140TC-90SH/4	SK573-140TC	SK573-W	29	5.8	3260	39	1.9	2440	
29	3260	1.7	57.53	SK32-90S/4	SK32-90SH/4	SK32-140TC-90S/4	SK32-140TC-90SH/4	SK32-140TC	SK32-W	29	5.8	3260	39	1.9	2440	
29	3260	1.7	57.30	SK673-90S/4	SK673-90SH/4	SK673-140TC-90S/4	SK673-140TC-90SH/4	SK673-140TC	SK673-W	29	5.8	3260	39	1.9	2440	
28	3380	4	63.95	SK873-90S/4	SK873-90SH/4	SK873-140TC-90S/4	SK873-140TC-90SH/4	SK873-140TC	SK873-W	28	5.6	3380	37	1.9	2540	
27	3510	2.5	60.66	SK42-90S/4	SK42-90SH/4	SK42-140TC-90S/4	SK42-140TC-90SH/4	SK42-140TC	SK42-W	27	5.4	3510	36	1.8	2630	
26	3640	1.1	64.10	SK573-90S/4	SK573-90SH/4	SK573-140TC-90S/4	SK573-140TC-90SH/4	SK573-140TC	SK573-W	26	5.2	3640	35	1.7	2730	
26	3640	1.6	64.26	SK32-90S/4	SK32-90SH/4	SK32-140TC-90S/4	SK32-140TC-90SH/4	SK32-140TC	SK32-W	26	5.2	3640	35	1.7	2730	
26	3640	2.1	64.94	SK773-90S/4	SK773-90SH/4	SK773-140TC-90S/4	SK773-140TC-90SH/4	SK773-140TC	SK773-W	26	5.2	3640	35	1.7	2730	
26	3640	4.7	62.87	SK63-90S/4	SK63-90SH/4	SK63-140TC-90S/4	SK63-140TC-90SH/4	SK63-140TC	SK63-W	26	5.2	3640	35	1.7	2730	
26	3640	5.6	67.05	SK972-90S/4	SK972-90SH/4	SK972-140TC-90S/4	SK972-140TC-90SH/4	SK972-140TC	SK972-W	26	5.2	3640	35	1.7	2730	
25	3780	2	68.49	SK773-90S/4	SK773-90SH/4	SK773-140TC-90S/4	SK773-140TC-90SH/4	SK773-140TC	SK773-W	25	5	3780	33	1.7	2830	
24	3940	1.4	67.98	SK673-90S/4	SK673-90SH/4	SK673-140TC-90S/4	SK673-140TC-90SH/4	SK673-140TC	SK673-W	24	4.8	3940	32	1.6	2950	
24	3940	3.7	70.89	SK873-90S/4	SK873-90SH/4	SK873-140TC-90S/4	SK873-140TC-90SH/4	SK873-140TC	SK873-W	24	4.8	3940	32	1.6	2950	
23	4120	1	72.18	SK573-90S/4	SK573-90SH/4	SK573-140TC-90S/4	SK573-140TC-90SH/4	SK573-140TC	SK573-W	23	4.6	4120	31	1.5	3090	
23	4120	1.2	72.76	SK32-90S/4	SK32-90SH/4	SK32-140TC-90S/4	SK32-140TC-90SH/4	SK32-140TC	SK32-W	23	4.6	4120	31	1.5	3090	
23	4120	1.9	75.95	SK773-90S/4	SK773-90SH/4	SK773-140TC-90S/4	SK773-140TC-90SH/4	SK773-140TC	SK773-W	23	4.6	4120	31	1.5	3090	
23	4120	3.4	71.39	SK52-90S/4	SK52-90SH/4	SK52-140TC-90S/4	SK52-140TC-90SH/4	SK52-140TC	SK52-W	23	4.6	4120	31	1.5	3090	
23	4120	3.6	76.27	SK873-90S/4	SK873-90SH/4	SK873-140TC-90S/4	SK873-140TC-90SH/4	SK873-140TC	SK873-W	23	4.6	4120	31	1.5	3090	
22	4300	1.3	75.38	SK673-90S/4	SK673-90SH/4	SK673-140TC-90S/4	SK673-140TC-90SH/4	SK673-140TC	SK673-W	22	4.4	4300	29	1.5	3230	
22	4300	2.2	74.87	SK42-90S/4	SK42-90SH/4	SK42-140TC-90S/4	SK42-140TC-90SH/4	SK42-140TC	SK42-W	22	4.4	4300	29	1.5	3230	
21	4510	3.1	78.56	SK52-90S/4	SK52-90SH/4	SK52-140TC-90S/4	SK52-140TC-90SH/4	SK52-140TC	SK52-W	21	4.2	4510	28	1.4	3380	
21	4510	4.5	77.46	SK63-90S/4	SK63-90SH/4	SK63-140TC-90S/4	SK63-140TC-90SH/4	SK63-140TC	SK63-W	21	4.2	4510	28	1.4	3380	
20	4730	1	81.27	SK32-90S/4	SK32-90SH/4	SK32-140TC-90S/4	SK32-140TC-90SH/4	SK32-140TC	SK32-W	20	4	4730	27	1.3	3550	
20	4730	1.5	85.10	SK42-90S/4	SK42-90SH/4	SK42-140TC-90S/4	SK42-140TC-90SH/4	SK42-140TC	SK42-W	20	4	4730	27	1.3	3550	
20	4730	1.6	80.14	SK773-90S/4	SK773-90SH/4	SK773-140TC-90S/4	SK773-140TC-90SH/4	SK773-140TC	SK773-W	20	4	4730	27	1.3	3550	
20	4730	4	83.00	SK973-90S/4	SK973-90SH/4	SK973-140TC-90S/4	SK973-140TC-90SH/4	SK973-140TC	SK973-W	20	4	4730	27	1.3	3550	
19	4970	1	88.18	SK33N-90S/4	SK33N-90SH/4	SK33N-140TC-90S/4	SK33N-140TC-90SH/4	SK33N-140TC	SK33N-W	19	3.8	4970	25	1.3	3730	
19	4970	1.1	84.47	SK673-90S/4	SK673-90SH/4	SK673-140TC-90S/4	SK673-140TC-90SH/4	SK673-140TC	SK673-W	19	3.8	4970	25	1.3	3730	
19	4970	3	88.16	SK873-90S/4	SK873-90SH/4	SK873-140TC-90S/4	SK873-140TC-90SH/4	SK873-140TC	SK873-W	19	3.8	4970	25	1.3	3730	
19	4970	3.1	86.92	SK52-90S/4	SK52-90SH/4	SK52-140TC-90S/4	SK52-140TC-90SH/4	SK52-140TC	SK52-W	19	3.8	4970	25	1.3	3730	
19	4970	4.1	87.06	SK63-90S/4	SK63-90SH/4	SK63-140TC-90S/4	SK63-140TC-90SH/4	SK63-140TC	SK63-W	19	3.8	4970	25	1.3	3730	
18	5260	4.1	95.04	SK973-90S/4	SK973-90SH/4	SK973-140TC-90S/4	SK973-140TC-90SH/4	SK973-140TC	SK973-W	18	3.6	5260	24	1.2	3940	
17	5570	2	94.96	SK43-90S/4	SK43-90SH/4	SK43-140TC-90S/4	SK43-140TC-90SH/4	SK43-140TC	SK43-W	17	3.4	5570	23	1.1	4180	



1.5 hp Gearmotors & Speed Reducers



Output Speed n_2	Output Torque T_2 [lb-in]	SF f_B	Gear Ratio i	Integral Gearmotor		Gearmotor C-Face		Reducer		5:1 Inverter Duty			20:1 Inverter Duty		
				Standard Motor	EE Motor	Standard Motor	EE Motor	Input	Solid Input Shaft	[60Hz]	[12Hz]		[80Hz]	[4Hz]	
												n_{60} [rpm]	n_{12} [rpm]	T_{60} [lb-in]	n_{80} [rpm]
17	5570	2.7	97.74	SK873-90S/4	SK873-90SH/4	SK873-140TC-90S/4	SK873-140TC-90SH/4	SK873-140TC	SK873-W	17	3.4	5570	23	1.1	4180
17	5570	4.2	105.37	SK973-90S/4	SK973-90SH/4	SK973-140TC-90S/4	SK973-140TC-90SH/4	SK973-140TC	SK973-W	17	3.4	5570	23	1.1	4180
16	5910	1.3	105.08	SK42-90S/4	SK42-90SH/4	SK42-140TC-90S/4	SK42-140TC-90SH/4	SK42-140TC	SK42-W	16	3.2	5910	21	1.1	4440
16	5910	3.3	105.87	SK53-90S/4	SK53-90SH/4	SK53-140TC-90S/4	SK53-140TC-90SH/4	SK53-140TC	SK53-W	16	3.2	5910	21	1.1	4440
15	6300	1.6	107.51	SK43-90S/4	SK43-90SH/4	SK43-140TC-90S/4	SK43-140TC-90SH/4	SK43-140TC	SK43-W	15	3	6300	20	1	4730
15	6300	4	107.89	SK63-90S/4	SK63-90SH/4	SK63-140TC-90S/4	SK63-140TC-90SH/4	SK63-140TC	SK63-W	15	3	6300	20	1	4730
14	6750	1.1	115.04	SK773-90S/4	SK773-90SH/4	SK773-140TC-90S/4	SK773-140TC-90SH/4	SK773-140TC	SK773-W	14	2.8	6750	19	0.93	5070
14	6750	2.2	117.51	SK873-90S/4	SK873-90SH/4	SK873-140TC-90S/4	SK873-140TC-90SH/4	SK873-140TC	SK873-W	14	2.8	6750	19	0.93	5070
14	6750	4.2	124.17	SK973-90S/4	SK973-90SH/4	SK973-140TC-90S/4	SK973-140TC-90SH/4	SK973-140TC	SK973-W	14	2.8	6750	19	0.93	5070
13	7280	1.5	129.38	SK43-90S/4	SK43-90SH/4	SK43-140TC-90S/4	SK43-140TC-90SH/4	SK43-140TC	SK43-W	13	2.6	7280	17	0.86	5460
13	7280	1.7	125.39	SK873-90S/4	SK873-90SH/4	SK873-140TC-90S/4	SK873-140TC-90SH/4	SK873-140TC	SK873-W	13	2.6	7280	17	0.86	5460
12	7890	1.2	141.55	SK43-90S/4	SK43-90SH/4	SK43-140TC-90S/4	SK43-140TC-90SH/4	SK43-140TC	SK43-W	12	2.4	7890	16	0.8	5920
12	7890	1.9	145.57	SK873-90S/4	SK873-90SH/4	SK873-140TC-90S/4	SK873-140TC-90SH/4	SK873-140TC	SK873-W	12	2.4	7890	16	0.8	5920
12	7890	2.5	139.34	SK53-90S/4	SK53-90SH/4	SK53-140TC-90S/4	SK53-140TC-90SH/4	SK53-140TC	SK53-W	12	2.4	7890	16	0.8	5920
12	7890	3.6	146.30	SK973-90S/4	SK973-90SH/4	SK973-140TC-90S/4	SK973-140TC-90SH/4	SK973-140TC	SK973-W	12	2.4	7890	16	0.8	5920
10	9450	1.1	169.86	SK43-90S/4	SK43-90SH/4	SK43-140TC-90S/4	SK43-140TC-90SH/4	SK43-140TC	SK43-W	10	2	9450	13	0.67	7090
10	9460	3	169.33	SK973-90S/4	SK973-90SH/4	SK973-140TC-90S/4	SK973-140TC-90SH/4	SK973-140TC	SK973-W	10	2	9460	13	0.67	7100



2 hp



Gearmotors & Speed Reducers

Output Speed n ₂ [rpm]	Output Torque T ₂ [lb-in]	SF f _B	Gear Ratio i	Integral Gearmotor		Gearmotor C-Face		Reducer		5:1 Inverter Duty			20:1 Inverter Duty			
				Standard Motor	EE Motor	Standard Motor	EE Motor	C-Face Input	Solid Input Shaft	[60Hz]		T ₆₀ [lb-in]	[80Hz]		[4Hz]	
										n ₆₀ [rpm]	n ₁₂ [rpm]		n ₈₀ [rpm]	n ₄ [rpm]	T ₈₀ [lb-in]	
1230	102	4.3	1.35	SK11E-90L/4	SK11E-90LH/4	SK11E-140TC-90L/4	SK11E-140TC-90LH/4	SK11E-140TC	SK11E-W	1230	246	102	1635	82	77	
1078	117	3.78	1.54	SK11E-90L/4	SK11E-90LH/4	SK11E-140TC-90L/4	SK11E-140TC-90LH/4	SK11E-140TC	SK11E-W	1078	216	117	1435	72	88	
917	142	2.9	1.81	SK11E-90L/4	SK11E-90LH/4	SK11E-140TC-90L/4	SK11E-140TC-90LH/4	SK11E-140TC	SK11E-W	917	183	142	1220	61	107	
862	150	2.5	1.93	SK172-90L/4	SK172-90LH/4	SK172-140TC-90L/4	SK172-140TC-90LH/4	SK172-140TC	SK172-W	862	172	150	1145	57	113	
814	159	2.8	2.04	SK11E-90L/4	SK11E-90LH/4	SK11E-140TC-90L/4	SK11E-140TC-90LH/4	SK11E-140TC	SK11E-W	814	163	159	1085	54	119	
745	168	2.4	2.23	SK172-90L/4	SK172-90LH/4	SK172-140TC-90L/4	SK172-140TC-90LH/4	SK172-140TC	SK172-W	745	149	168	991	50	126	
716	177	2.4	2.32	SK11E-90L/4	SK11E-90LH/4	SK11E-140TC-90L/4	SK11E-140TC-90LH/4	SK11E-140TC	SK11E-W	716	143	177	952	48	133	
635	195	2.1	2.62	SK172-90L/4	SK172-90LH/4	SK172-140TC-90L/4	SK172-140TC-90LH/4	SK172-140TC	SK172-W	635	127	195	845	42	146	
611	205	2.9	2.77	SK272-90L/4	SK272-90LH/4	SK272-140TC-90L/4	SK272-140TC-90LH/4	SK272-140TC	SK272-W	611	122	205	813	41	153	
587	210	2.2	2.83	SK11E-90L/4	SK11E-90LH/4	SK11E-140TC-90L/4	SK11E-140TC-90LH/4	SK11E-140TC	SK11E-W	587	117	210	781	39	159	
563	220	1.8	2.95	SK02-90L/4	SK02-90LH/4	SK02-140TC-90L/4	SK02-140TC-90LH/4	SK02-140TC	SK02-W	563	113	220	749	37	166	
548	230	1.8	3.03	SK172-90L/4	SK172-90LH/4	SK172-140TC-90L/4	SK172-140TC-90LH/4	SK172-140TC	SK172-W	548	110	230	729	36	173	
537	235	2.3	3.09	SK21E-90L/4	SK21E-90LH/4	SK21E-140TC-90L/4	SK21E-140TC-90LH/4	SK21E-140TC	SK21E-W	537	107	235	714	36	176	
530	240	2.8	3.19	SK272-90L/4	SK272-90LH/4	SK272-140TC-90L/4	SK272-140TC-90LH/4	SK272-140TC	SK272-W	530	106	240	705	35	179	
522	240	1.5	3.18	SK11E-90L/4	SK11E-90LH/4	SK11E-140TC-90L/4	SK11E-140TC-90LH/4	SK11E-140TC	SK11E-W	522	104	240	694	35	179	
493	255	1.7	3.37	SK172-90L/4	SK172-90LH/4	SK172-140TC-90L/4	SK172-140TC-90LH/4	SK172-140TC	SK172-W	493	99	255	656	33	193	
491	255	1.8	3.38	SK02-90L/4	SK02-90LH/4	SK02-140TC-90L/4	SK02-140TC-90LH/4	SK02-140TC	SK02-W	491	98	255	653	33	193	
481	265	2.9	3.52	SK272-90L/4	SK272-90LH/4	SK272-140TC-90L/4	SK272-140TC-90LH/4	SK272-140TC	SK272-W	481	96	265	640	32	200	
461	275	1.4	3.60	SK11E-90L/4	SK11E-90LH/4	SK11E-140TC-90L/4	SK11E-140TC-90LH/4	SK11E-140TC	SK11E-W	461	92	275	613	31	205	
452	280	2.2	3.67	SK21E-90L/4	SK21E-90LH/4	SK21E-140TC-90L/4	SK21E-140TC-90LH/4	SK21E-140TC	SK21E-W	452	90	280	601	30	210	
427	290	1.6	3.89	SK02-90L/4	SK02-90LH/4	SK02-140TC-90L/4	SK02-140TC-90LH/4	SK02-140TC	SK02-W	427	85	290	568	28	220	
426	290	1.5	3.90	SK172-90L/4	SK172-90LH/4	SK172-140TC-90L/4	SK172-140TC-90LH/4	SK172-140TC	SK172-W	426	85	290	567	28	220	
418	300	2.8	4.05	SK272-90L/4	SK272-90LH/4	SK272-140TC-90L/4	SK272-140TC-90LH/4	SK272-140TC	SK272-W	418	84	300	556	28	225	
408	310	1.5	4.07	SK172-90L/4	SK172-90LH/4	SK172-140TC-90L/4	SK172-140TC-90LH/4	SK172-140TC	SK172-W	408	82	310	543	27	235	
393	320	1.4	4.22	SK02-90L/4	SK02-90LH/4	SK02-140TC-90L/4	SK02-140TC-90LH/4	SK02-140TC	SK02-W	393	79	320	523	26	240	
371	335	2.8	4.57	SK272-90L/4	SK272-90LH/4	SK272-140TC-90L/4	SK272-140TC-90LH/4	SK272-140TC	SK272-W	371	74	335	493	25	250	
370	345	2.8	4.49	SK12-90L/4	SK12-90LH/4	SK12-140TC-90L/4	SK12-140TC-90LH/4	SK12-140TC	SK12-W	370	74	345	492	25	260	
361	350	1.43	4.60	SK21E-90L/4	SK21E-90LH/4	SK21E-140TC-90L/4	SK21E-140TC-90LH/4	SK21E-140TC	SK21E-W	361	72	350	480	24	260	
353	355	1.4	4.71	SK172-90L/4	SK172-90LH/4	SK172-140TC-90L/4	SK172-140TC-90LH/4	SK172-140TC	SK172-W	353	71	355	469	23	265	
344	365	1.4	4.82	SK02-90L/4	SK02-90LH/4	SK02-140TC-90L/4	SK02-140TC-90LH/4	SK02-140TC	SK02-W	344	69	365	458	23	270	
344	365	2.3	4.83	SK31E-90L/4	SK31E-90LH/4	SK31E-140TC-90L/4	SK31E-140TC-90LH/4	SK31E-140TC	SK31E-W	344	69	365	458	23	275	
341	370	2.7	4.96	SK272-90L/4	SK272-90LH/4	SK272-140TC-90L/4	SK272-140TC-90LH/4	SK272-140TC	SK272-W	341	68	370	454	23	280	
337	370	2.7	4.93	SK12-90L/4	SK12-90LH/4	SK12-140TC-90L/4	SK12-140TC-90LH/4	SK12-140TC	SK12-W	337	67	370	448	22	280	
319	400	1.3	5.21	SK172-90L/4	SK172-90LH/4	SK172-140TC-90L/4	SK172-140TC-90LH/4	SK172-140TC	SK172-W	319	64	400	424	21	300	
301	415	2.6	5.62	SK272-90L/4	SK272-90LH/4	SK272-140TC-90L/4	SK272-140TC-90LH/4	SK272-140TC	SK272-W	301	60	415	400	20	310	
298	425	1.2	5.57	SK02-90L/4	SK02-90LH/4	SK02-140TC-90L/4	SK02-140TC-90LH/4	SK02-140TC	SK02-W	298	60	425	396	20	320	
289	435	1.2	5.74	SK172-90L/4	SK172-90LH/4	SK172-140TC-90L/4	SK172-140TC-90LH/4	SK172-140TC	SK172-W	289	58	435	384	19	325	
287	445	2.5	5.79	SK12-90L/4	SK12-90LH/4	SK12-140TC-90L/4	SK12-140TC-90LH/4	SK12-140TC	SK12-W	287	57	445	382	19	330	
272	460	1.1	6.10	SK02-90L/4	SK02-90LH/4	SK02-140TC-90L/4	SK02-140TC-90LH/4	SK02-140TC	SK02-W	272	54	460	362	18	345	
266	480	2.5	6.34	SK272-90L/4	SK272-90LH/4	SK272-140TC-90L/4	SK272-140TC-90LH/4	SK272-140TC	SK272-W	266	53	480	354	18	360	
262	480	1.1	6.34	SK172-90L/4	SK172-90LH/4	SK172-140TC-90L/4	SK172-140TC-90LH/4	SK172-140TC	SK172-W	262	52	480	348	17	360	
259	485	1.2	6.40	SK21E-90L/4	SK21E-90LH/4	SK21E-140TC-90L/4	SK21E-140TC-90LH/4	SK21E-140TC	SK21E-W	259	52	485	344	17	365	
254	495	2.2	6.53	SK12-90L/4	SK12-90LH/4	SK12-140TC-90L/4	SK12-140TC-90LH/4	SK12-140TC	SK12-W	254	51	495	338	17	370	
251	505	2.5	6.75	SK272-90L/4	SK272-90LH/4	SK272-140TC-90L/4	SK272-140TC-90LH/4	SK272-140TC	SK272-W	251	50	505	334	17	380	
242	520	3.1	6.86	SK22-90L/4	SK22-90LH/4	SK22-140TC-90L/4	SK22-140TC-90LH/4	SK22-140TC	SK22-W	242	48	520	322	16	390	
241	520	1	6.89	SK02-90L/4	SK02-90LH/4	SK02-140TC-90L/4	SK02-140TC-90LH/4	SK02-140TC	SK02-W	241	48	520	321	16	390	
240	520	1	6.94	SK172-90L/4	SK172-90LH/4	SK172-140TC-90L/4	SK172-140TC-90LH/4	SK172-140TC	SK172-W	240	48	520	319	16	390	
228	550	2	7.28	SK12-90L/4	SK12-90LH/4	SK12-140TC-90L/4	SK12-140TC-90LH/4	SK12-140TC	SK12-W	228	46	550	303	15	410	



2 hp Gearmotors & Speed Reducers



Output Speed n ₂ [rpm]	Output Torque T ₂ [lb-in]	SF f _B	Gear Ratio i	Integral Gearmotor		Gearmotor C-Face		Reducer		5:1 Inverter Duty			20:1 Inverter Duty			
				Standard Motor	EE Motor	Standard Motor	EE Motor	C-Face Input	Solid Input Shaft	[60Hz]		T ₆₀ [lb-in]	[80Hz]		n ₄ [rpm]	T ₈₀ [lb-in]
										n ₆₀ [rpm]	n ₁₂ [rpm]		n ₈₀ [rpm]	n ₄ [rpm]		
222	565	2.2	7.64	SK272-90L/4	SK272-90LH/4	SK272-140TC-90L/4	SK272-140TC-90LH/4	SK272-140TC	SK272-W	222	44	565	295	15	425	
219	575	2.9	7.57	SK22-90L/4	SK22-90LH/4	SK22-140TC-90L/4	SK22-140TC-90LH/4	SK22-140TC	SK22-W	219	44	575	291	15	430	
211	600	1.9	7.85	SK12-90L/4	SK12-90LH/4	SK12-140TC-90L/4	SK12-140TC-90LH/4	SK12-140TC	SK12-W	211	42	600	281	14	450	
202	630	1	8.25	SK172-90L/4	SK172-90LH/4	SK172-140TC-90L/4	SK172-140TC-90LH/4	SK172-140TC	SK172-W	202	40	630	269	13	470	
202	625	1.5	8.20	SK31E-90L/4	SK31E-90LH/4	SK31E-140TC-90L/4	SK31E-140TC-90LH/4	SK31E-140TC	SK31E-W	202	40	625	269	13	470	
196	645	1.9	8.65	SK272-90L/4	SK272-90LH/4	SK272-140TC-90L/4	SK272-140TC-90LH/4	SK272-140TC	SK272-W	196	39	645	261	13	485	
196	645	2.3	8.65	SK372-90L/4	SK372-90LH/4	SK372-140TC-90L/4	SK372-140TC-90LH/4	SK372-140TC	SK372-W	196	39	645	261	13	485	
196	645	2.8	8.48	SK22-90L/4	SK22-90LH/4	SK22-140TC-90L/4	SK22-140TC-90LH/4	SK22-140TC	SK22-W	196	39	645	261	13	485	
194	645	1.8	8.56	SK12-90L/4	SK12-90LH/4	SK12-140TC-90L/4	SK12-140TC-90LH/4	SK12-140TC	SK12-W	194	39	645	258	13	485	
172	735	1.6	9.65	SK12-90L/4	SK12-90LH/4	SK12-140TC-90L/4	SK12-140TC-90LH/4	SK12-140TC	SK12-W	172	34	735	229	11	550	
172	735	1.7	9.90	SK272-90L/4	SK272-90LH/4	SK272-140TC-90L/4	SK272-140TC-90LH/4	SK272-140TC	SK272-W	172	34	735	229	11	550	
172	735	2.1	9.90	SK372-90L/4	SK372-90LH/4	SK372-140TC-90L/4	SK372-140TC-90LH/4	SK372-140TC	SK372-W	172	34	735	229	11	550	
166	760	2.9	10.45	SK472-90L/4	SK472-90LH/4	SK472-140TC-90L/4	SK472-140TC-90LH/4	SK472-140TC	SK472-W	166	33	760	221	11	570	
163	770	1	10.20	SK31E-90L/4	SK31E-90LH/4	SK31E-140TC-90L/4	SK31E-140TC-90LH/4	SK31E-140TC	SK31E-W	163	33	770	217	11	580	
157	800	2.1	10.55	SK41E-90L/4	SK41E-90LH/4	SK41E-140TC-90L/4	SK41E-140TC-90LH/4	SK41E-140TC	SK41E-W	157	31	800	209	10	600	
155	810	1.5	10.70	SK12-90L/4	SK12-90LH/4	SK12-140TC-90L/4	SK12-140TC-90LH/4	SK12-140TC	SK12-W	155	31	810	206	10	610	
152	830	1.5	11.17	SK272-90L/4	SK272-90LH/4	SK272-140TC-90L/4	SK272-140TC-90LH/4	SK272-140TC	SK272-W	152	30	830	202	10	625	
152	830	1.8	11.17	SK372-90L/4	SK372-90LH/4	SK372-140TC-90L/4	SK372-140TC-90LH/4	SK372-140TC	SK372-W	152	30	830	202	10	625	
152	830	2.9	10.89	SK22-90L/4	SK22-90LH/4	SK22-140TC-90L/4	SK22-140TC-90LH/4	SK22-140TC	SK22-W	152	30	830	202	10	625	
143	890	1.4	11.88	SK272-90L/4	SK272-90LH/4	SK272-140TC-90L/4	SK272-140TC-90LH/4	SK272-140TC	SK272-W	143	29	890	190	9.5	665	
143	890	1.9	11.88	SK372-90L/4	SK372-90LH/4	SK372-140TC-90L/4	SK372-140TC-90LH/4	SK372-140TC	SK372-W	143	29	890	190	9.5	665	
137	920	2.6	12.68	SK472-90L/4	SK472-90LH/4	SK472-140TC-90L/4	SK472-140TC-90LH/4	SK472-140TC	SK472-W	137	27	920	182	9.1	690	
136	930	2.8	12.20	SK22-90L/4	SK22-90LH/4	SK22-140TC-90L/4	SK22-140TC-90LH/4	SK22-140TC	SK22-W	136	27	930	181	9	695	
127	990	1.2	13.41	SK272-90L/4	SK272-90LH/4	SK272-140TC-90L/4	SK272-140TC-90LH/4	SK272-140TC	SK272-W	127	25	990	169	8.4	745	
127	990	1.7	13.41	SK372-90L/4	SK372-90LH/4	SK372-140TC-90L/4	SK372-140TC-90LH/4	SK372-140TC	SK372-W	127	25	990	169	8.4	745	
125	1010	2.5	13.27	SK51-90L/4	SK51-90LH/4	SK51-140TC-90L/4	SK51-140TC-90LH/4	SK51-140TC	SK51-W	125	25	1010	166	8.3	755	
124	1020	1.3	13.39	SK12-90L/4	SK12-90LH/4	SK12-140TC-90L/4	SK12-140TC-90LH/4	SK12-140TC	SK12-W	124	25	1020	165	8.2	765	
124	1020	2.4	14.02	SK472-90L/4	SK472-90LH/4	SK472-140TC-90L/4	SK472-140TC-90LH/4	SK472-140TC	SK472-W	124	25	1020	165	8.2	765	
113	1120	2.3	15.04	SK472-90L/4	SK472-90LH/4	SK472-140TC-90L/4	SK472-140TC-90LH/4	SK472-140TC	SK472-W	113	23	1120	150	7.5	840	
113	1120	2.7	14.69	SK22-90L/4	SK22-90LH/4	SK22-140TC-90L/4	SK22-140TC-90LH/4	SK22-140TC	SK22-W	113	23	1120	150	7.5	840	
112	1120	1	14.80	SK41E-90L/4	SK41E-90LH/4	SK41E-140TC-90L/4	SK41E-140TC-90LH/4	SK41E-140TC	SK41E-W	112	22	1120	149	7.4	840	
112	1120	1.1	15.10	SK272-90L/4	SK272-90LH/4	SK272-140TC-90L/4	SK272-140TC-90LH/4	SK272-140TC	SK272-W	112	22	1120	149	7.4	840	
112	1120	1.5	15.10	SK372-90L/4	SK372-90LH/4	SK372-140TC-90L/4	SK372-140TC-90LH/4	SK372-140TC	SK372-W	112	22	1120	149	7.4	840	
104	1210	1.5	16.28	SK373-90L/4	SK373-90LH/4	SK373-140TC-90L/4	SK373-140TC-90LH/4	SK373-140TC	SK373-W	104	21	1210	138	6.9	910	
102	1240	2.1	16.63	SK472-90L/4	SK472-90LH/4	SK472-140TC-90L/4	SK472-140TC-90LH/4	SK472-140TC	SK472-W	102	20	1240	136	6.8	930	
99	1270	1.1	16.73	SK12-90L/4	SK12-90LH/4	SK12-140TC-90L/4	SK12-140TC-90LH/4	SK12-140TC	SK12-W	99	20	1270	132	6.6	960	
99	1270	2.4	16.75	SK22-90L/4	SK22-90LH/4	SK22-140TC-90L/4	SK22-140TC-90LH/4	SK22-140TC	SK22-W	99	20	1270	132	6.6	960	
98	1280	1	17.17	SK272-90L/4	SK272-90LH/4	SK272-140TC-90L/4	SK272-140TC-90LH/4	SK272-140TC	SK272-W	98	20	1280	130	6.5	960	
98	1280	1.4	17.17	SK372-90L/4	SK372-90LH/4	SK372-140TC-90L/4	SK372-140TC-90LH/4	SK372-140TC	SK372-W	98	20	1280	130	6.5	960	
92	1370	1.9	18.44	SK472-90L/4	SK472-90LH/4	SK472-140TC-90L/4	SK472-140TC-90LH/4	SK472-140TC	SK472-W	92	18	1370	122	6.1	1030	
92	1370	2.5	18.44	SK572-90L/4	SK572-90LH/4	SK572-140TC-90L/4	SK572-140TC-90LH/4	SK572-140TC	SK572-W	92	18	1370	122	6.1	1030	
92	1370	2.9	18.86	SK573-90L/4	SK573-90LH/4	SK573-140TC-90L/4	SK573-140TC-90LH/4	SK573-140TC	SK573-W	92	18	1370	122	6.1	1030	
91	1390	1.3	18.59	SK372-90L/4	SK372-90LH/4	SK372-140TC-90L/4	SK372-140TC-90LH/4	SK372-140TC	SK372-W	91	18	1390	121	6.1	1040	
89	1420	3	18.67	SK32-90L/4	SK32-90LH/4	SK32-140TC-90L/4	SK32-140TC-90LH/4	SK32-140TC	SK32-W	89	18	1420	118	5.9	1060	
88	1430	1	18.79	SK12-90L/4	SK12-90LH/4	SK12-140TC-90L/4	SK12-140TC-90LH/4	SK12-140TC	SK12-W	88	18	1430	117	5.9	1080	
86	1470	1.9	20.17	SK472-90L/4	SK472-90LH/4	SK472-140TC-90L/4	SK472-140TC-90LH/4	SK472-140TC	SK472-W	86	17	1470	114	5.7	1100	
86	1470	2.7	20.17	SK572-90L/4	SK572-90LH/4	SK572-140TC-90L/4	SK572-140TC-90LH/4	SK572-140TC	SK572-W	86	17	1470	114	5.7	1100	
84	1510	1.2	20.06	SK372-90L/4	SK372-90LH/4	SK372-140TC-90L/4	SK372-140TC-90LH/4	SK372-140TC	SK372-W	84	17	1510	112	5.6	1130	
83	1520	1.3	20.90	SK473-90L/4	SK473-90LH/4	SK473-140TC-90L/4	SK473-140TC-90LH/4	SK473-140TC	SK473-W	83	17	1520	110	5.5	1140	



2 hp



Gearmotors & Speed Reducers

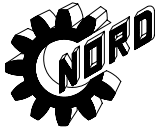
Output Speed n ₂	Output Torque T ₂ [lb-in]	SF f _B	Gear Ratio i	Integral Gearmotor		Gearmotor C-Face		Reducer		5:1 Inverter Duty			20:1 Inverter Duty		
				Standard Motor	EE Motor	Standard Motor	EE Motor	Input	Solid Input Shaft	[60Hz] [12Hz]		[80Hz] [4Hz]			
										n ₆₀ [rpm]	n ₁₂ [rpm]	T ₆₀ [lb-in]	n ₈₀ [rpm]	n ₄ [rpm]	T ₈₀ [lb-in]
83	1520	1.7	20.03	SK22-90L/4	SK22-90LH/4	SK22-140TC-90L/4	SK22-140TC-90LH/4	SK22-140TC	SK22-W	83	17	1520	110	5.5	1140
80	1520	2.6	20.90	SK573-90L/4	SK573-90LH/4	SK573-140TC-90L/4	SK573-140TC-90LH/4	SK573-140TC	SK573-W	83	17	1520	110	5.5	1140
80	1580	1.1	20.96	SK372-90L/4	SK372-90LH/4	SK372-140TC-90L/4	SK372-140TC-90LH/4	SK372-140TC	SK372-W	80	16	1580	106	5.3	1180
80	1580	2.9	20.70	SK32-90L/4	SK32-90LH/4	SK32-140TC-90L/4	SK32-140TC-90LH/4	SK32-140TC	SK32-W	80	16	1580	106	5.3	1180
74	1710	1.1	22.37	SK373-90L/4	SK373-90LH/4	SK373-140TC-90L/4	SK373-140TC-90LH/4	SK373-140TC	SK373-W	74	15	1710	98	4.9	1280
73	1730	1.2	23.10	SK473-90L/4	SK473-90LH/4	SK473-140TC-90L/4	SK473-140TC-90LH/4	SK473-140TC	SK473-W	73	15	1730	97	4.9	1290
73	1730	1.6	23.16	SK472-90L/4	SK472-90LH/4	SK472-140TC-90L/4	SK472-140TC-90LH/4	SK472-140TC	SK472-W	73	15	1730	97	4.9	1290
73	1730	2.3	23.16	SK572-90L/4	SK572-90LH/4	SK572-140TC-90L/4	SK572-140TC-90LH/4	SK572-140TC	SK572-W	73	15	1730	97	4.9	1290
73	1730	2.3	23.10	SK573-90L/4	SK573-90LH/4	SK573-140TC-90L/4	SK573-140TC-90LH/4	SK573-140TC	SK573-W	73	15	1730	97	4.9	1290
72	1750	2.9	23.12	SK32-90L/4	SK32-90LH/4	SK32-140TC-90L/4	SK32-140TC-90LH/4	SK32-140TC	SK32-W	72	14	1750	96	4.8	1310
70	1810	1.6	23.74	SK22-90L/4	SK22-90LH/4	SK22-140TC-90L/4	SK22-140TC-90LH/4	SK22-140TC	SK22-W	70	14	1810	93	4.7	1350
68	1860	1	24.26	SK373-90L/4	SK373-90LH/4	SK373-140TC-90L/4	SK373-140TC-90LH/4	SK373-140TC	SK373-W	68	14	1860	90	4.5	1390
67	1890	1.2	24.73	SK22-90L/4	SK22-90LH/4	SK22-140TC-90L/4	SK22-140TC-90LH/4	SK22-140TC	SK22-W	67	13	1890	89	4.5	1410
66	1910	1.2	25.60	SK473-90L/4	SK473-90LH/4	SK473-140TC-90L/4	SK473-140TC-90LH/4	SK473-140TC	SK473-W	66	13	1910	88	4.4	1430
66	1910	2.1	25.60	SK573-90L/4	SK573-90LH/4	SK573-140TC-90L/4	SK573-140TC-90LH/4	SK573-140TC	SK573-W	66	13	1910	88	4.4	1430
64	1970	1.4	26.70	SK472-90L/4	SK472-90LH/4	SK472-140TC-90L/4	SK472-140TC-90LH/4	SK472-140TC	SK472-W	64	13	1970	85	4.3	1480
64	1970	2	26.70	SK572-90L/4	SK572-90LH/4	SK572-140TC-90L/4	SK572-140TC-90LH/4	SK572-140TC	SK572-W	64	13	1970	85	4.3	1480
62	2040	1.9	26.57	SK32-90L/4	SK32-90LH/4	SK32-140TC-90L/4	SK32-140TC-90LH/4	SK32-140TC	SK32-W	62	12	2040	82	4.1	1530
62	2040	2.7	28.05	SK673-90L/4	SK673-90LH/4	SK673-140TC-90L/4	SK673-140TC-90LH/4	SK673-140TC	SK673-W	62	12	2040	82	4.1	1530
59	2140	1.1	29.01	SK473-90L/4	SK473-90LH/4	SK473-140TC-90L/4	SK473-140TC-90LH/4	SK473-140TC	SK473-W	59	12	2140	78	3.9	1610
59	2140	1.9	29.01	SK573-90L/4	SK573-90LH/4	SK573-140TC-90L/4	SK573-140TC-90LH/4	SK573-140TC	SK573-W	59	12	2140	78	3.9	1610
59	2140	2.3	28.55	SK672-90L/4	SK672-90LH/4	SK672-140TC-90L/4	SK672-140TC-90LH/4	SK672-140TC	SK672-W	59	12	2140	78	3.9	1610
59	2140	2.6	29.53	SK673-90L/4	SK673-90LH/4	SK673-140TC-90L/4	SK673-140TC-90LH/4	SK673-140TC	SK673-W	59	12	2140	78	3.9	1610
58	2180	1.2	28.83	SK472-90L/4	SK472-90LH/4	SK472-140TC-90L/4	SK472-140TC-90LH/4	SK472-140TC	SK472-W	58	12	2180	77	3.9	1630
58	2180	1.5	28.80	SK22-90L/4	SK22-90LH/4	SK22-140TC-90L/4	SK22-140TC-90LH/4	SK22-140TC	SK22-W	58	12	2180	77	3.9	1630
58	2180	1.5	28.83	SK572-90L/4	SK572-90LH/4	SK572-140TC-90L/4	SK572-140TC-90LH/4	SK572-140TC	SK572-W	58	12	2180	77	3.9	1630
57	2210	1.2	29.31	SK22-90L/4	SK22-90LH/4	SK22-140TC-90L/4	SK22-140TC-90LH/4	SK22-140TC	SK22-W	57	11	2210	76	3.8	1660
54	2340	3	30.46	SK42-90L/4	SK42-90LH/4	SK42-140TC-90L/4	SK42-140TC-90LH/4	SK42-140TC	SK42-W	54	11	2340	72	3.6	1750
53	2380	1.9	31.16	SK32-90L/4	SK32-90LH/4	SK32-140TC-90L/4	SK32-140TC-90LH/4	SK32-140TC	SK32-W	53	11	2380	70	3.5	1790
52	2430	1	32.94	SK473-90L/4	SK473-90LH/4	SK473-140TC-90L/4	SK473-140TC-90LH/4	SK473-140TC	SK473-W	52	10	2430	69	3.5	1820
52	2430	1.6	32.94	SK573-90L/4	SK573-90LH/4	SK573-140TC-90L/4	SK573-140TC-90LH/4	SK573-140TC	SK573-W	52	10	2430	69	3.5	1820
52	2430	2	32.82	SK672-90L/4	SK672-90LH/4	SK672-140TC-90L/4	SK672-140TC-90LH/4	SK672-140TC	SK672-W	52	10	2430	69	3.5	1820
50	2520	1.1	33.11	SK472-90L/4	SK472-90LH/4	SK472-140TC-90L/4	SK472-140TC-90LH/4	SK472-140TC	SK472-W	50	10	2520	67	3.3	1890
50	2520	1.3	33.05	SK32-90L/4	SK32-90LH/4	SK32-140TC-90L/4	SK32-140TC-90LH/4	SK32-140TC	SK32-W	50	10	2520	67	3.3	1890
50	2520	1.4	33.11	SK572-90L/4	SK572-90LH/4	SK572-140TC-90L/4	SK572-140TC-90LH/4	SK572-140TC	SK572-W	50	10	2520	67	3.3	1890
50	2520	2.7	34.05	SK772-90L/4	SK772-90LH/4	SK772-140TC-90L/4	SK772-140TC-90LH/4	SK772-140TC	SK772-W	50	10	2520	67	3.3	1890
49	2580	2.8	35.64	SK772-90L/4	SK772-90LH/4	SK772-140TC-90L/4	SK772-140TC-90LH/4	SK772-140TC	SK772-W	49	9.8	2580	65	3.3	1930
48	2630	1.1	34.69	SK22-90L/4	SK22-90LH/4	SK22-140TC-90L/4	SK22-140TC-90LH/4	SK22-140TC	SK22-W	48	9.6	2630	64	3.2	1970
47	2680	1.1	35.55	SK22-90L/4	SK22-90LH/4	SK22-140TC-90L/4	SK22-140TC-90LH/4	SK22-140TC	SK22-W	47	9.4	2680	63	3.1	2010
47	2680	2.7	36.79	SK773-90L/4	SK773-90LH/4	SK773-140TC-90L/4	SK773-140TC-90LH/4	SK773-140TC	SK773-W	47	9.4	2680	63	3.1	2010
46	2740	1	37.72	SK473-90L/4	SK473-90LH/4	SK473-140TC-90L/4	SK473-140TC-90LH/4	SK473-140TC	SK473-W	46	9.2	2740	61	3.1	2060
46	2740	1.5	37.72	SK573-90L/4	SK573-90LH/4	SK573-140TC-90L/4	SK573-140TC-90LH/4	SK573-140TC	SK573-W	46	9.2	2740	61	3.1	2060
46	2740	1.8	37.02	SK672-90L/4	SK672-90LH/4	SK672-140TC-90L/4	SK672-140TC-90LH/4	SK672-140TC	SK672-W	46	9.2	2740	61	3.1	2060
45	2810	1.9	37.23	SK32-90L/4	SK32-90LH/4	SK32-140TC-90L/4	SK32-140TC-90LH/4	SK32-140TC	SK32-W	45	9	2810	60	3	2100
43	2930	1	38.17	SK472-90L/4	SK472-90LH/4	SK472-140TC-90L/4	SK472-140TC-90LH/4	SK472-140TC	SK472-W	43	8.6	2930	57	2.9	2200
43	2930	1.1	38.17	SK572-90L/4	SK572-90LH/4	SK572-140TC-90L/4	SK572-140TC-90LH/4	SK572-140TC	SK572-W	43	8.6	2930	57	2.9	2200
43	2930	1.3	38.76	SK32-90L/4	SK32-90LH/4	SK32-140TC-90L/4	SK32-140TC-90LH/4	SK32-140TC	SK32-W	43	8.6	2930	57	2.9	2200
43	2930	1.5	38.29	SK772-90L/4	SK772-90LH/4	SK772-140TC-90L/4	SK772-140TC-90LH/4	SK772-140TC	SK772-W	43	8.6	2930	57	2.9	2200
43	2930	1.9	39.62	SK673-90L/4	SK673-90LH/4	SK673-140TC-90L/4	SK673-140TC-90LH/4	SK673-140TC	SK673-W	43	8.6	2930	57	2.9	2200



2 hp Gearmotors & Speed Reducers



Output Speed n ₂	Output Torque T ₂ [lb-in]	SF f _B	Gear Ratio i	Integral Gearmotor		Gearmotor C-Face		Reducer		5:1 Inverter Duty			20:1 Inverter Duty		
				Standard Motor	EE Motor	Standard Motor	EE Motor	Input	Solid Input Shaft	[60Hz] [12Hz]		[80Hz] [4Hz]			
										n ₆₀ [rpm]	n ₁₂ [rpm]	T ₆₀ [lb-in]	n ₈₀ [rpm]	n ₄ [rpm]	T ₈₀ [lb-in]
43	2930	3.1	39.91	SK873-90L/4	SK873-90LH/4	SK873-140TC-90L/4	SK873-140TC-90LH/4	SK873-140TC	SK873-W	43	8.6	2930	57	2.9	2200
42	3000	1.4	40.13	SK672-90L/4	SK672-90LH/4	SK672-140TC-90L/4	SK672-140TC-90LH/4	SK672-140TC	SK672-W	42	8.4	3000	56	2.8	2250
42	3000	3.2	40.78	SK872-90L/4	SK872-90LH/4	SK872-140TC-90L/4	SK872-140TC-90LH/4	SK872-140TC	SK872-W	42	8.4	3000	56	2.8	2250
41	3080	1.3	41.03	SK573-90L/4	SK573-90LH/4	SK573-140TC-90L/4	SK573-140TC-90LH/4	SK573-140TC	SK573-W	41	8.2	3080	55	2.7	2310
41	3080	2.5	42.60	SK773-90L/4	SK773-90LH/4	SK773-140TC-90L/4	SK773-140TC-90LH/4	SK773-140TC	SK773-W	41	8.2	3080	55	2.7	2310
41	3080	2.8	40.98	SK43-90L/4	SK43-90LH/4	SK43-140TC-90L/4	SK43-140TC-90LH/4	SK43-140TC	SK43-W	41	8.2	3080	55	2.7	2310
40	3150	1	42.21	SK572-90L/4	SK572-90LH/4	SK572-140TC-90L/4	SK572-140TC-90LH/4	SK572-140TC	SK572-W	40	8	3150	53	2.7	2360
38	3320	1.3	43.45	SK772-90L/4	SK772-90LH/4	SK772-140TC-90L/4	SK772-140TC-90LH/4	SK772-140TC	SK772-W	38	7.6	3320	51	2.5	2490
38	3320	3.3	45.81	SK872-90L/4	SK872-90LH/4	SK872-140TC-90L/4	SK872-140TC-90LH/4	SK872-140TC	SK872-W	38	7.6	3320	51	2.5	2490
37	3410	1.2	45.26	SK573-90L/4	SK573-90LH/4	SK573-140TC-90L/4	SK573-140TC-90LH/4	SK573-140TC	SK573-W	37	7.4	3410	49	2.5	2560
36	3510	1.3	46.13	SK672-90L/4	SK672-90LH/4	SK672-140TC-90L/4	SK672-140TC-90LH/4	SK672-140TC	SK672-W	36	7.2	3510	48	2.4	2630
36	3510	1.6	47.00	SK673-90L/4	SK673-90LH/4	SK673-140TC-90L/4	SK673-140TC-90LH/4	SK673-140TC	SK673-W	36	7.2	3510	48	2.4	2630
36	3510	1.7	46.25	SK32-90L/4	SK32-90LH/4	SK32-140TC-90L/4	SK32-140TC-90LH/4	SK32-140TC	SK32-W	36	7.2	3510	48	2.4	2630
35	3600	2.1	49.36	SK773-90L/4	SK773-90LH/4	SK773-140TC-90L/4	SK773-140TC-90LH/4	SK773-140TC	SK773-W	35	7	3600	47	2.3	2700
35	3600	3.1	49.43	SK873-90L/4	SK873-90LH/4	SK873-140TC-90L/4	SK873-140TC-90LH/4	SK873-140TC	SK873-W	35	7	3600	47	2.3	2700
34	3710	1.3	48.81	SK772-90L/4	SK772-90LH/4	SK772-140TC-90L/4	SK772-140TC-90LH/4	SK772-140TC	SK772-W	34	6.8	3710	45	2.3	2780
34	3710	2.5	48.56	SK43-90L/4	SK43-90LH/4	SK43-140TC-90L/4	SK43-140TC-90LH/4	SK43-140TC	SK43-W	34	6.8	3710	45	2.3	2780
32	3940	1	50.97	SK573-90L/4	SK573-90LH/4	SK573-140TC-90L/4	SK573-140TC-90LH/4	SK573-140TC	SK573-W	32	6.4	3940	43	2.1	2950
32	3940	1	52.03	SK672-90L/4	SK672-90LH/4	SK672-140TC-90L/4	SK672-140TC-90LH/4	SK672-140TC	SK672-W	32	6.4	3940	43	2.1	2950
32	3940	1.3	51.09	SK772-90L/4	SK772-90LH/4	SK772-140TC-90L/4	SK772-140TC-90LH/4	SK772-140TC	SK772-W	32	6.4	3940	43	2.1	2950
32	3940	1.4	52.12	SK673-90L/4	SK673-90LH/4	SK673-140TC-90L/4	SK673-140TC-90LH/4	SK673-140TC	SK673-W	32	6.4	3940	43	2.1	2950
32	3940	3.2	52.79	SK872-90L/4	SK872-90LH/4	SK872-140TC-90L/4	SK872-140TC-90LH/4	SK872-140TC	SK872-W	32	6.4	3940	43	2.1	2950
31	4070	1	53.42	SK573-90L/4	SK573-90LH/4	SK573-140TC-90L/4	SK573-140TC-90LH/4	SK573-140TC	SK573-W	31	6.2	4070	41	2.1	3050
31	4070	3	55.32	SK873-90L/4	SK873-90LH/4	SK873-140TC-90L/4	SK873-140TC-90LH/4	SK873-140TC	SK873-W	31	6.2	4070	41	2.1	3050
31	4070	4.6	56.59	SK972-90L/4	SK972-90LH/4	SK972-140TC-90L/4	SK972-140TC-90LH/4	SK972-140TC	SK972-W	31	6.2	4070	41	2.1	3050
30	4200	1.8	57.73	SK773-90L/4	SK773-90LH/4	SK773-140TC-90L/4	SK773-140TC-90LH/4	SK773-140TC	SK773-W	30	6	4200	40	2	3150
29	4350	1.2	57.53	SK32-90L/4	SK32-90LH/4	SK32-140TC-90L/4	SK32-140TC-90LH/4	SK32-140TC	SK32-W	29	5.8	4350	39	1.9	3260
29	4350	1.3	57.30	SK673-90L/4	SK673-90LH/4	SK673-140TC-90L/4	SK673-140TC-90LH/4	SK673-140TC	SK673-W	29	5.8	4350	39	1.9	3260
28	4510	2.3	58.27	SK43-90L/4	SK43-90LH/4	SK43-140TC-90L/4	SK43-140TC-90LH/4	SK43-140TC	SK43-W	28	5.6	4510	37	1.9	3380
28	4510	3	63.95	SK873-90L/4	SK873-90LH/4	SK873-140TC-90L/4	SK873-140TC-90LH/4	SK873-140TC	SK873-W	28	5.6	4510	37	1.9	3380
27	4670	1.9	60.66	SK42-90L/4	SK42-90LH/4	SK42-140TC-90L/4	SK42-140TC-90LH/4	SK42-140TC	SK42-W	27	5.4	4670	36	1.8	3510
26	4850	1.2	64.26	SK32-90L/4	SK32-90LH/4	SK32-140TC-90L/4	SK32-140TC-90LH/4	SK32-140TC	SK32-W	26	5.2	4850	35	1.7	3640
26	4850	1.6	64.94	SK773-90L/4	SK773-90LH/4	SK773-140TC-90L/4	SK773-140TC-90LH/4	SK773-140TC	SK773-W	26	5.2	4850	35	1.7	3640
26	4850	4.2	67.05	SK972-90L/4	SK972-90LH/4	SK972-140TC-90L/4	SK972-140TC-90LH/4	SK972-140TC	SK972-W	26	5.2	4850	35	1.7	3640
25	5050	1.5	68.49	SK773-90L/4	SK773-90LH/4	SK773-140TC-90L/4	SK773-140TC-90LH/4	SK773-140TC	SK773-W	25	5	5050	33	1.7	3780
24	5260	1.1	67.98	SK673-90L/4	SK673-90LH/4	SK673-140TC-90L/4	SK673-140TC-90LH/4	SK673-140TC	SK673-W	24	4.8	5260	32	1.6	3940
24	5260	2.1	70.12	SK43-90L/4	SK43-90LH/4	SK43-140TC-90L/4	SK43-140TC-90LH/4	SK43-140TC	SK43-W	24	4.8	5260	32	1.6	3940
24	5260	2.8	70.89	SK873-90L/4	SK873-90LH/4	SK873-140TC-90L/4	SK873-140TC-90LH/4	SK873-140TC	SK873-W	24	4.8	5260	32	1.6	3940
23	5490	1.4	75.95	SK773-90L/4	SK773-90LH/4	SK773-140TC-90L/4	SK773-140TC-90LH/4	SK773-140TC	SK773-W	23	4.6	5490	31	1.5	4120
23	5490	2.6	71.39	SK52-90L/4	SK52-90LH/4	SK52-140TC-90L/4	SK52-140TC-90LH/4	SK52-140TC	SK52-W	23	4.6	5490	31	1.5	4120
23	5490	2.7	76.27	SK873-90L/4	SK873-90LH/4	SK873-140TC-90L/4	SK873-140TC-90LH/4	SK873-140TC	SK873-W	23	4.6	5490	31	1.5	4120
22	5740	1	75.38	SK673-90L/4	SK673-90LH/4	SK673-140TC-90L/4	SK673-140TC-90LH/4	SK673-140TC	SK673-W	22	4.4	5740	29	1.5	4300
22	5740	1.7	74.87	SK42-90L/4	SK42-90LH/4	SK42-140TC-90L/4	SK42-140TC-90LH/4	SK42-140TC	SK42-W	22	4.4	5740	29	1.5	4300
21	6010	1.8	79.96	SK43-90L/4	SK43-90LH/4	SK43-140TC-90L/4	SK43-140TC-90LH/4	SK43-140TC	SK43-W	21	4.2	6010	28	1.4	4510
21	6010	2.4	78.56	SK52-90L/4	SK52-90LH/4	SK52-140TC-90L/4	SK52-140TC-90LH/4	SK52-140TC	SK52-W	21	4.2	6010	28	1.4	4510
20	6300	1.1	85.10	SK42-90L/4	SK42-90LH/4	SK42-140TC-90L/4	SK42-140TC-90LH/4	SK42-140TC	SK42-W	20	4	6300	27	1.3	4730
20	6300	1.2	80.14	SK773-90L/4	SK773-90LH/4	SK773-140TC-90L/4	SK773-140TC-90LH/4	SK773-140TC	SK773-W	20	4	6300	27	1.3	4730
20	6300	3	83.00	SK973-90L/4	SK973-90LH/4	SK973-140TC-90L/4	SK973-140TC-90LH/4	SK973-140TC	SK973-W	20	4	6300	27	1.3	4730
19	6640	2.2	88.16	SK873-90L/4	SK873-90LH/4	SK873-140TC-90L/4	SK873-140TC-90LH/4	SK873-140TC	SK873-W	19	3.8	6640	25	1.3	4980



2 hp Gearmotors & Speed Reducers



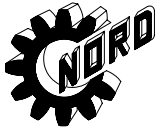
Output Speed n ₂	Output Torque T ₂ [lb-in]	SF f _B	Gear Ratio i	Integral Gearmotor		Gearmotor C-Face		Reducer		5:1 Inverter Duty			20:1 Inverter Duty		
				Standard Motor	EE Motor	Standard Motor	EE Motor	Input	Solid Input Shaft	[60Hz] [12Hz]		[80Hz] [4Hz]			
										n ₆₀ [rpm]	n ₁₂ [rpm]	T ₆₀ [lb-in]	n ₈₀ [rpm]	n ₄ [rpm]	T ₈₀ [lb-in]
18	6640	2.3	86.92	SK52-90L/4	SK52-90LH/4	SK52-140TC-90L/4	SK52-140TC-90LH/4	SK52-140TC	SK52-W	19	3.8	6640	25	1.3	4980
17	7010	3.1	95.04	SK973-90L/4	SK973-90LH/4	SK973-140TC-90L/4	SK973-140TC-90LH/4	SK973-140TC	SK973-W	18	3.6	7010	24	1.2	5260
17	7420	1.5	94.96	SK43-90L/4	SK43-90LH/4	SK43-140TC-90L/4	SK43-140TC-90LH/4	SK43-140TC	SK43-W	17	3.4	7420	23	1.1	5560
17	7420	2	97.74	SK873-90L/4	SK873-90LH/4	SK873-140TC-90L/4	SK873-140TC-90LH/4	SK873-140TC	SK873-W	17	3.4	7420	23	1.1	5560
17	7420	2.7	95.49	SK53-90L/4	SK53-90LH/4	SK53-140TC-90L/4	SK53-140TC-90LH/4	SK53-140TC	SK53-W	17	3.4	7420	23	1.1	5560
17	7420	3.2	105.37	SK973-90L/4	SK973-90LH/4	SK973-140TC-90L/4	SK973-140TC-90LH/4	SK973-140TC	SK973-W	17	3.4	7420	23	1.1	5560
16	7890	1	105.08	SK42-90L/4	SK42-90LH/4	SK42-140TC-90L/4	SK42-140TC-90LH/4	SK42-140TC	SK42-W	16	3.2	7890	21	1.1	5920
16	7890	2.5	105.87	SK53-90L/4	SK53-90LH/4	SK53-140TC-90L/4	SK53-140TC-90LH/4	SK53-140TC	SK53-W	16	3.2	7890	21	1.1	5920
15	8410	1.2	107.51	SK43-90L/4	SK43-90LH/4	SK43-140TC-90L/4	SK43-140TC-90LH/4	SK43-140TC	SK43-W	15	3	8410	20	1	6310
14	9010	1.7	117.51	SK873-90L/4	SK873-90LH/4	SK873-140TC-90L/4	SK873-140TC-90LH/4	SK873-140TC	SK873-W	14	2.8	9010	19	0.93	6760
14	9010	3.1	124.17	SK973-90L/4	SK973-90LH/4	SK973-140TC-90L/4	SK973-140TC-90LH/4	SK973-140TC	SK973-W	14	2.8	9010	19	0.93	6760
13	9700	1.1	129.38	SK43-90L/4	SK43-90LH/4	SK43-140TC-90L/4	SK43-140TC-90LH/4	SK43-140TC	SK43-W	13	2.6	9700	17	0.86	7280
13	9700	1.3	125.39	SK873-90L/4	SK873-90LH/4	SK873-140TC-90L/4	SK873-140TC-90LH/4	SK873-140TC	SK873-W	13	2.6	9700	17	0.86	7280
12	10500	1.4	145.57	SK873-90L/4	SK873-90LH/4	SK873-140TC-90L/4	SK873-140TC-90LH/4	SK873-140TC	SK873-W	12	2.4	10500	16	0.8	7880
12	10500	1.9	139.34	SK53-90L/4	SK53-90LH/4	SK53-140TC-90L/4	SK53-140TC-90LH/4	SK53-140TC	SK53-W	12	2.4	10500	16	0.8	7880
12	10500	2.7	146.30	SK973-90L/4	SK973-90LH/4	SK973-140TC-90L/4	SK973-140TC-90LH/4	SK973-140TC	SK973-W	12	2.4	10500	16	0.8	7880
10	12600	2.2	169.33	SK973-90L/4	SK973-90LH/4	SK973-140TC-90L/4	SK973-140TC-90LH/4	SK973-140TC	SK973-W	10	2	12600	13	0.67	9460



3 hp Gearmotors & Speed Reducers



Output Speed n ₂ [rpm]	Output Torque T ₂ [lb-in]	SF f _s	Gear Ratio i	Integral Gearmotor		Gearmotor C-Face		Reducer		5:1 Inverter Duty			20:1 Inverter Duty		
				Standard Motor	EE Motor	Standard Motor	EE Motor	C-Face Input	Solid Input Shaft	[60Hz] n ₆₀ [rpm]	[12Hz] n ₁₂ [rpm]	T ₆₀ [lb-in]	[80Hz] n ₈₀ [rpm]	[4Hz] n ₄ [rpm]	T ₈₀ [lb-in]
1263	150	2.9	1.35	SK11E-100L/4	SK11E-100LH/4	SK11E-180TC-100L/4	SK11E-180TC-100LH/4	SK11E-180TC	SK11E-W	1263	253	150	1680	84	113
1168	162	3.3	1.46	SK21E-100L/4	SK21E-100LH/4	SK21E-180TC-100L/4	SK21E-180TC-100LH/4	SK21E-180TC	SK21E-W	1168	234	162	1555	78	122
1107	171	2.6	1.54	SK11E-100L/4	SK11E-100LH/4	SK11E-180TC-100L/4	SK11E-180TC-100LH/4	SK11E-180TC	SK11E-W	1107	221	171	1470	74	128
942	205	2.4	1.81	SK11E-100L/4	SK11E-100LH/4	SK11E-180TC-100L/4	SK11E-180TC-100LH/4	SK11E-180TC	SK11E-W	942	188	205	1255	63	153
922	197	2.9	1.85	SK21E-100L/4	SK21E-100LH/4	SK21E-180TC-100L/4	SK21E-180TC-100LH/4	SK21E-180TC	SK21E-W	922	184	197	1225	61	148
836	230	2.3	2.04	SK11E-100L/4	SK11E-100LH/4	SK11E-180TC-100L/4	SK11E-180TC-100LH/4	SK11E-180TC	SK11E-W	836	167	230	1110	56	173
735	255	1.7	2.32	SK11E-100L/4	SK11E-100LH/4	SK11E-180TC-100L/4	SK11E-180TC-100LH/4	SK11E-180TC	SK11E-W	735	147	255	978	49	193
705	265	2.4	2.42	SK21E-100L/4	SK21E-100LH/4	SK21E-180TC-100L/4	SK21E-180TC-100LH/4	SK21E-180TC	SK21E-W	705	141	265	938	47	200
629	300	2.3	2.71	SK21E-100L/4	SK21E-100LH/4	SK21E-180TC-100L/4	SK21E-180TC-100LH/4	SK21E-180TC	SK21E-W	629	126	300	837	42	225
611	310	3.3	2.79	SK22-100L/4	SK22-100LH/4	SK22-180TC-100L/4	SK22-180TC-100LH/4	SK22-180TC	SK22-W	611	122	310	813	41	230
602	320	1.5	2.83	SK11E-100L/4	SK11E-100LH/4	SK11E-180TC-100L/4	SK11E-180TC-100LH/4	SK11E-180TC	SK11E-W	602	120	320	801	40	240
576	325	2.8	2.96	SK12-100L/4	SK12-100LH/4	SK12-180TC-100L/4	SK12-180TC-100LH/4	SK12-180TC	SK12-W	576	115	325	766	38	245
552	345	1.6	3.09	SK21E-100L/4	SK21E-100LH/4	SK21E-180TC-100L/4	SK21E-180TC-100LH/4	SK21E-180TC	SK21E-W	552	110	345	734	37	260
515	365	2.5	3.31	SK31E-100L/4	SK31E-100LH/4	SK31E-180TC-100L/4	SK31E-180TC-100LH/4	SK31E-180TC	SK31E-W	515	103	365	685	34	275
503	370	2.6	3.39	SK12-100L/4	SK12-100LH/4	SK12-180TC-100L/4	SK12-180TC-100LH/4	SK12-180TC	SK12-W	503	101	370	669	33	280
465	405	1.5	3.67	SK21E-100L/4	SK21E-100LH/4	SK21E-180TC-100L/4	SK21E-180TC-100LH/4	SK21E-180TC	SK21E-W	465	93	405	618	31	305
428	445	2.3	3.98	SK12-100L/4	SK12-100LH/4	SK12-180TC-100L/4	SK12-180TC-100LH/4	SK12-180TC	SK12-W	428	86	445	569	28	330
395	480	2.1	4.32	SK12-100L/4	SK12-100LH/4	SK12-180TC-100L/4	SK12-180TC-100LH/4	SK12-180TC	SK12-W	395	79	480	525	26	360
380	495	2.1	4.49	SK12-100L/4	SK12-100LH/4	SK12-180TC-100L/4	SK12-180TC-100LH/4	SK12-180TC	SK12-W	380	76	495	505	25	370
369	515	2.6	4.62	SK22-100L/4	SK22-100LH/4	SK22-180TC-100L/4	SK22-180TC-100LH/4	SK22-180TC	SK22-W	369	74	515	491	25	385
353	535	1.6	4.83	SK31E-100L/4	SK31E-100LH/4	SK31E-180TC-100L/4	SK31E-180TC-100LH/4	SK31E-180TC	SK31E-W	353	71	535	469	23	400
346	550	1.9	4.93	SK12-100L/4	SK12-100LH/4	SK12-180TC-100L/4	SK12-180TC-100LH/4	SK12-180TC	SK12-W	346	69	550	460	23	410
329	575	2.4	5.18	SK22-100L/4	SK22-100LH/4	SK22-180TC-100L/4	SK22-180TC-100LH/4	SK22-180TC	SK22-W	329	66	575	438	22	430
294	645	1.7	5.79	SK12-100L/4	SK12-100LH/4	SK12-180TC-100L/4	SK12-180TC-100LH/4	SK12-180TC	SK12-W	294	59	645	391	20	485
294	645	3	5.79	SK22-100L/4	SK22-100LH/4	SK22-180TC-100L/4	SK22-180TC-100LH/4	SK22-180TC	SK22-W	294	59	645	391	20	485
262	725	2.8	6.51	SK22-100L/4	SK22-100LH/4	SK22-180TC-100L/4	SK22-180TC-100LH/4	SK22-180TC	SK22-W	262	52	725	348	17	545
261	725	1.5	6.53	SK12-100L/4	SK12-100LH/4	SK12-180TC-100L/4	SK12-180TC-100LH/4	SK12-180TC	SK12-W	261	52	725	347	17	545
249	760	3	6.86	SK22-100L/4	SK22-100LH/4	SK22-180TC-100L/4	SK22-180TC-100LH/4	SK22-180TC	SK22-W	249	50	760	331	17	570
237	800	2.1	7.18	SK41E-100L/4	SK41E-100LH/4	SK41E-180TC-100L/4	SK41E-180TC-100LH/4	SK41E-180TC	SK41E-W	237	47	800	315	16	600
234	810	1.4	7.28	SK12-100L/4	SK12-100LH/4	SK12-180TC-100L/4	SK12-180TC-100LH/4	SK12-180TC	SK12-W	234	47	810	311	16	605
225	840	2.6	7.57	SK22-100L/4	SK22-100LH/4	SK22-180TC-100L/4	SK22-180TC-100LH/4	SK22-180TC	SK22-W	225	45	840	299	15	630
217	870	1.3	7.85	SK12-100L/4	SK12-100LH/4	SK12-180TC-100L/4	SK12-180TC-100LH/4	SK12-180TC	SK12-W	217	43	870	289	14	650
208	910	1	8.20	SK31E-100L/4	SK31E-100LH/4	SK31E-180TC-100L/4	SK31E-180TC-100LH/4	SK31E-180TC	SK31E-W	208	42	910	277	14	680
201	940	2.4	8.48	SK22-100L/4	SK22-100LH/4	SK22-180TC-100L/4	SK22-180TC-100LH/4	SK22-180TC	SK22-W	201	40	940	267	13	705
199	950	1.2	8.56	SK12-100L/4	SK12-100LH/4	SK12-180TC-100L/4	SK12-180TC-100LH/4	SK12-180TC	SK12-W	199	40	950	265	13	710
177	1070	1.1	9.65	SK12-100L/4	SK12-100LH/4	SK12-180TC-100L/4	SK12-180TC-100LH/4	SK12-180TC	SK12-W	177	35	1070	235	12	800
162	1170	1.4	10.55	SK41E-100L/4	SK41E-100LH/4	SK41E-180TC-100L/4	SK41E-180TC-100LH/4	SK41E-180TC	SK41E-W	162	32	1170	215	11	880
159	1190	1	10.70	SK12-100L/4	SK12-100LH/4	SK12-180TC-100L/4	SK12-180TC-100LH/4	SK12-180TC	SK12-W	159	32	1190	211	11	890
157	1200	2.3	10.89	SK22-100L/4	SK22-100LH/4	SK22-180TC-100L/4	SK22-180TC-100LH/4	SK22-180TC	SK22-W	157	31	1200	209	10	900
140	1350	2.2	12.20	SK22-100L/4	SK22-100LH/4	SK22-180TC-100L/4	SK22-180TC-100LH/4	SK22-180TC	SK22-W	140	28	1350	186	9.3	1020
128	1480	1.7	13.27	SK51-100L/4	SK51-100LH/4	SK51-180TC-100L/4	SK51-180TC-100LH/4	SK51-180TC	SK51-W	128	26	1480	170	8.5	1110
117	1620	3.1	14.55	SK32-100L/4	SK32-100LH/4	SK32-180TC-100L/4	SK32-180TC-100LH/4	SK32-180TC	SK32-W	117	23	1620	156	7.8	1220
116	1630	1.8	14.69	SK22-100L/4	SK22-100LH/4	SK22-180TC-100L/4	SK22-180TC-100LH/4	SK22-180TC	SK22-W	116	23	1630	154	7.7	1220
113	1670	2.7	15.03	SK32-100L/4	SK32-100LH/4	SK32-180TC-100L/4	SK32-180TC-100LH/4	SK32-180TC	SK32-W	113	23	1670	150	7.5	1260
105	1810	3.1	16.25	SK32-100L/4	SK32-100LH/4	SK32-180TC-100L/4	SK32-180TC-100LH/4	SK32-180TC	SK32-W	105	21	1810	140	7	1350
102	1860	1.6	16.75	SK22-100L/4	SK22-100LH/4	SK22-180TC-100L/4	SK22-180TC-100LH/4	SK22-180TC	SK22-W	102	20	1860	136	6.8	1390
102	1860	2.5	16.66	SK32-100L/4	SK32-100LH/4	SK32-180TC-100L/4	SK32-180TC-100LH/4	SK32-180TC	SK32-W	102	20	1860	136	6.8	1390
91	2080	2.7	18.67	SK32-100L/4	SK32-100LH/4	SK32-180TC-100L/4	SK32-180TC-100LH/4	SK32-180TC	SK32-W	91	18	2080	121	6.1	1560
85	2220	1.1	20.03	SK22-100L/4	SK22-100LH/4	SK22-180TC-100L/4	SK22-180TC-100LH/4	SK22-180TC	SK22-W	85	17	2220	113	5.7	1670



3 hp



Gearmotors & Speed Reducers

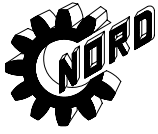
Output Speed n ₂ [rpm]	Output Torque T ₂ [lb-in]	SF f _s	Gear Ratio i	Integral Gearmotor		Gearmotor C-Face		Reducer		5:1 Inverter Duty			20:1 Inverter Duty		
				Standard Motor	EE Motor	Standard Motor	EE Motor	C-Face Input	Solid Input	[60Hz]	[12Hz]	[80Hz]		[4Hz]	
										Shaft	n ₆₀ [rpm]	n ₁₂ [rpm]	T ₆₀ [lb-in]	n ₈₀ [rpm]	n ₄ [rpm]
82	2310	2.5	20.70	SK32-100L/4	SK32-100LH/4	SK32-180TC-100L/4	SK32-180TC-100LH/4	SK32-180TC	SK32-W	82	16	2310	109	5.5	1730
78	2430	3.4	21.87	SK42-100L/4	SK42-100LH/4	SK42-180TC-100L/4	SK42-180TC-100LH/4	SK42-180TC	SK42-W	78	16	2430	104	5.2	1820
74	2560	2.2	23.12	SK32-100L/4	SK32-100LH/4	SK32-180TC-100L/4	SK32-180TC-100LH/4	SK32-180TC	SK32-W	74	15	2560	98	4.9	1920
72	2630	1.1	23.74	SK22-100L/4	SK22-100LH/4	SK22-180TC-100L/4	SK22-180TC-100LH/4	SK22-180TC	SK22-W	72	14	2630	96	4.8	1970
70	2700	2.8	24.41	SK42-100L/4	SK42-100LH/4	SK42-180TC-100L/4	SK42-180TC-100LH/4	SK42-180TC	SK42-W	70	14	2700	93	4.7	2020
69	2740	2.9	24.67	SK42-100L/4	SK42-100LH/4	SK42-180TC-100L/4	SK42-180TC-100LH/4	SK42-180TC	SK42-W	69	14	2740	92	4.6	2060
64	2960	1.3	26.57	SK32-100L/4	SK32-100LH/4	SK32-180TC-100L/4	SK32-180TC-100LH/4	SK32-180TC	SK32-W	64	13	2960	85	4.3	2220
59	3200	1	28.80	SK22-100L/4	SK22-100LH/4	SK22-180TC-100L/4	SK22-180TC-100LH/4	SK22-180TC	SK22-W	59	12	3200	78	3.9	2400
58	3260	2.8	29.29	SK42-100L/4	SK42-100LH/4	SK42-180TC-100L/4	SK42-180TC-100LH/4	SK42-180TC	SK42-W	58	12	3260	77	3.9	2440
56	3380	2.8	30.46	SK42-100L/4	SK42-100LH/4	SK42-180TC-100L/4	SK42-180TC-100LH/4	SK42-180TC	SK42-W	56	11	3380	74	3.7	2540
55	3440	1.3	31.16	SK32-100L/4	SK32-100LH/4	SK32-180TC-100L/4	SK32-180TC-100LH/4	SK32-180TC	SK32-W	55	11	3440	73	3.7	2580
48	3940	2.8	35.25	SK42-100L/4	SK42-100LH/4	SK42-180TC-100L/4	SK42-180TC-100LH/4	SK42-180TC	SK42-W	48	9.6	3940	64	3.2	2950
46	4120	1.3	37.23	SK32-100L/4	SK32-100LH/4	SK32-180TC-100L/4	SK32-180TC-100LH/4	SK32-180TC	SK32-W	46	9.2	4120	61	3.1	3090
44	4300	3.4	38.45	SK52-100L/4	SK52-100LH/4	SK52-180TC-100L/4	SK52-180TC-100LH/4	SK52-180TC	SK52-W	44	8.8	4300	59	2.9	3230
42	4500	2	40.98	SK43-100L/4	SK43-100LH/4	SK43-180TC-100L/4	SK43-180TC-100LH/4	SK43-180TC	SK43-W	42	8.4	4500	56	2.8	3380
41	4610	2.3	41.29	SK42-100L/4	SK42-100LH/4	SK42-180TC-100L/4	SK42-180TC-100LH/4	SK42-180TC	SK42-W	41	8.2	4610	55	2.7	3460
37	5120	1.2	46.25	SK32-100L/4	SK32-100LH/4	SK32-180TC-100L/4	SK32-180TC-100LH/4	SK32-180TC	SK32-W	37	7.4	5120	49	2.5	3840
35	5400	1.7	48.56	SK43-100L/4	SK43-100LH/4	SK43-180TC-100L/4	SK43-180TC-100LH/4	SK43-180TC	SK43-W	35	7	5400	47	2.3	4050
35	5410	3.1	48.90	SK52-100L/4	SK52-100LH/4	SK52-180TC-100L/4	SK52-180TC-100LH/4	SK52-180TC	SK52-W	35	7	5410	47	2.3	4060
33	5740	1.7	50.98	SK42-100L/4	SK42-100LH/4	SK42-180TC-100L/4	SK42-180TC-100LH/4	SK42-180TC	SK42-W	33	6.6	5740	44	2.2	4300
32	5910	2.9	53.81	SK52-100L/4	SK52-100LH/4	SK52-180TC-100L/4	SK52-180TC-100LH/4	SK52-180TC	SK52-W	32	6.4	5910	43	2.1	4440
29	6520	1.6	58.27	SK43-100L/4	SK43-100LH/4	SK43-180TC-100L/4	SK43-180TC-100LH/4	SK43-180TC	SK43-W	29	5.8	6520	39	1.9	4890
29	6520	2.6	59.54	SK52-100L/4	SK52-100LH/4	SK52-180TC-100L/4	SK52-180TC-100LH/4	SK52-180TC	SK52-W	29	5.8	6520	39	1.9	4890
29	6520	2.6	58.94	SK53-100L/4	SK53-100LH/4	SK53-180TC-100L/4	SK53-180TC-100LH/4	SK53-180TC	SK53-W	29	5.8	6520	39	1.9	4890
28	6750	1.3	60.66	SK42-100L/4	SK42-100LH/4	SK42-180TC-100L/4	SK42-180TC-100LH/4	SK42-180TC	SK42-W	28	5.6	6750	37	1.9	5070
27	7010	3.7	62.87	SK63-100L/4	SK63-100LH/4	SK63-180TC-100L/4	SK63-180TC-100LH/4	SK63-180TC	SK63-W	27	5.4	7010	36	1.8	5260
26	7270	2.3	65.35	SK53-100L/4	SK53-100LH/4	SK53-180TC-100L/4	SK53-180TC-100LH/4	SK53-180TC	SK53-W	26	5.2	7270	35	1.7	5460
24	7880	1.4	70.12	SK43-100L/4	SK43-100LH/4	SK43-180TC-100L/4	SK43-180TC-100LH/4	SK43-180TC	SK43-W	24	4.8	7880	32	1.6	5910
24	7890	1.8	71.39	SK52-100L/4	SK52-100LH/4	SK52-180TC-100L/4	SK52-180TC-100LH/4	SK52-180TC	SK52-W	24	4.8	7890	32	1.6	5920
23	8220	1.2	74.87	SK42-100L/4	SK42-100LH/4	SK42-180TC-100L/4	SK42-180TC-100LH/4	SK42-180TC	SK42-W	23	4.6	8220	31	1.5	6170
22	8590	1.6	78.56	SK52-100L/4	SK52-100LH/4	SK52-180TC-100L/4	SK52-180TC-100LH/4	SK52-180TC	SK52-W	22	4.4	8590	29	1.5	6450
22	8590	3.4	77.46	SK63-100L/4	SK63-100LH/4	SK63-180TC-100L/4	SK63-180TC-100LH/4	SK63-180TC	SK63-W	22	4.4	8590	29	1.5	6450
21	9010	1.2	79.96	SK43-100L/4	SK43-100LH/4	SK43-180TC-100L/4	SK43-180TC-100LH/4	SK43-180TC	SK43-W	21	4.2	9010	28	1.4	6760
21	9000	1.8	79.69	SK53-100L/4	SK53-100LH/4	SK53-180TC-100L/4	SK53-180TC-100LH/4	SK53-180TC	SK53-W	21	4.2	9000	28	1.4	6750
20	9460	1.6	86.92	SK52-100L/4	SK52-100LH/4	SK52-180TC-100L/4	SK52-180TC-100LH/4	SK52-180TC	SK52-W	20	4	9460	27	1.3	7100
20	9460	2.9	87.06	SK63-100L/4	SK63-100LH/4	SK63-180TC-100L/4	SK63-180TC-100LH/4	SK63-180TC	SK63-W	20	4	9460	27	1.3	7100
18	10500	1	94.96	SK43-100L/4	SK43-100LH/4	SK43-180TC-100L/4	SK43-180TC-100LH/4	SK43-180TC	SK43-W	18	3.6	10500	24	1.2	7880
18	10500	1.9	95.49	SK53-100L/4	SK53-100LH/4	SK53-180TC-100L/4	SK53-180TC-100LH/4	SK53-180TC	SK53-W	18	3.6	10500	24	1.2	7880
16	11800	1.7	105.87	SK53-100L/4	SK53-100LH/4	SK53-180TC-100L/4	SK53-180TC-100LH/4	SK53-180TC	SK53-W	16	3.2	11800	21	1.1	8870
16	11800	2.7	107.89	SK63-100L/4	SK63-100LH/4	SK63-180TC-100L/4	SK63-180TC-100LH/4	SK63-180TC	SK63-W	16	3.2	11800	21	1.1	8870
14	13500	3.2	124.41	SK73-100L/4	SK73-100LH/4	SK73-180TC-100L/4	SK73-180TC-100LH/4	SK73-180TC	SK73-W	14	2.8	13500	19	0.93	10100
12	15800	1.3	139.34	SK53-100L/4	SK53-100LH/4	SK53-180TC-100L/4	SK53-180TC-100LH/4	SK53-180TC	SK53-W	12	2.4	15800	16	0.8	11800
12	15800	2.1	145.71	SK63-100L/4	SK63-100LH/4	SK63-180TC-100L/4	SK63-180TC-100LH/4	SK63-180TC	SK63-W	12	2.4	15800	16	0.8	11800
10	18900	2.6	166.03	SK73-100L/4	SK73-100LH/4	SK73-180TC-100L/4	SK73-180TC-100LH/4	SK73-180TC	SK73-W	10	2	18900	13	0.67	14200



5 hp Gearmotors & Speed Reducers



Output Speed n ₂ [rpm]	Output Torque T ₂ [lb-in]	SF f _B	Gear Ratio i	Integral Gearmotor		Gearmotor C-Face		Reducer		5:1 Inverter Duty			20:1 Inverter Duty		
				Standard Motor	EE Motor	Standard Motor	EE Motor	C-Face Input	Solid Input Shaft	[60Hz] n ₆₀ [rpm]	[12Hz] n ₁₂ [rpm]	T ₆₀ [lb-in]	[80Hz] n ₈₀ [rpm]	n ₄ [rpm]	T ₈₀ [lb-in]
1278	245	1.8	1.35	SK11E-100L/40	SK11E-112MH/4	SK11E-180TC-100L/40	SK11E-180TC-112M/4	SK11E-180TC	SK11E-W	1278	256	245	1700	85	185
1182	265	2	1.46	SK21E-100L/4	SK21E-112MH/4	SK21E-180TC-100L/40	SK21E-180TC-112M/4	SK21E-180TC	SK21E-W	1182	236	265	1570	79	200
1120	280	1.58	1.54	SK11E-100L/40	SK11E-112MH/4	SK11E-180TC-100L/40	SK11E-180TC-112M/4	SK11E-180TC	SK11E-W	1120	224	280	1490	74	210
980	320	2.2	1.76	SK31E-100L/40	SK31E-112MH/4	SK31E-180TC-100L/40	SK31E-180TC-112M/4	SK31E-180TC	SK31E-W	980	196	320	1305	65	240
953	325	1.5	1.81	SK11E-100L/40	SK11E-112MH/4	SK11E-180TC-100L/40	SK11E-180TC-112M/4	SK11E-180TC	SK11E-W	953	191	325	1265	63	245
932	335	1.7	1.85	SK21E-100L/40	SK21E-112MH/4	SK21E-180TC-100L/40	SK21E-180TC-112M/4	SK21E-180TC	SK21E-W	932	186	335	1240	62	250
900	355	1.7	1.88	SK272-100L/40	SK272-112MH/4	SK272-180TC-100L/40	SK272-180TC-112M/4	SK272-180TC	SK272-W	900	180	355	1195	60	265
900	355	1.7	1.88	SK372-100L/40	SK372-112MH/4	SK372-180TC-100L/40	SK372-180TC-112M/4	SK372-180TC	SK372-W	900	180	355	1195	60	265
846	370	1.4	2.04	SK11E-100L/40	SK11E-112MH/4	SK11E-180TC-100L/40	SK11E-180TC-112M/4	SK11E-180TC	SK11E-W	846	169	370	1125	56	280
829	380	1.6	2.08	SK21E-100L/40	SK21E-112MH/4	SK21E-180TC-100L/40	SK21E-180TC-112M/4	SK21E-180TC	SK21E-W	829	166	380	1105	55	285
829	380	2.1	2.08	SK31E-100L/40	SK31E-112MH/4	SK31E-180TC-100L/40	SK31E-180TC-112M/4	SK31E-180TC	SK31E-W	829	166	380	1105	55	285
780	405	1.6	2.17	SK272-100L/40	SK272-112MH/4	SK272-180TC-100L/40	SK272-180TC-112M/4	SK272-180TC	SK272-W	780	156	405	1035	52	305
780	405	1.6	2.17	SK372-100L/40	SK372-112MH/4	SK372-180TC-100L/40	SK372-180TC-112M/4	SK372-180TC	SK372-W	780	156	405	1035	52	305
744	425	1	2.32	SK11E-100L/40	SK11E-112MH/4	SK11E-180TC-100L/40	SK11E-180TC-112M/4	SK11E-180TC	SK11E-W	744	149	425	990	49	320
713	445	1.5	2.42	SK21E-100L/40	SK21E-112MH/4	SK21E-180TC-100L/40	SK21E-180TC-112M/4	SK21E-180TC	SK21E-W	713	143	445	948	47	330
669	470	1.9	2.58	SK31E-100L/40	SK31E-112MH/4	SK31E-180TC-100L/40	SK31E-180TC-112M/4	SK31E-180TC	SK31E-W	669	134	470	890	44	350
637	495	1.4	2.71	SK21E-100L/40	SK21E-112MH/4	SK21E-180TC-100L/40	SK21E-180TC-112M/4	SK21E-180TC	SK21E-W	637	127	495	847	42	370
637	495	2.1	2.73	SK472-100L/40	SK472-112MH/4	SK472-180TC-100L/40	SK472-180TC-112M/4	SK472-180TC	SK472-W	637	127	495	847	42	370
618	515	2	2.79	SK22-100L/40	SK22-112MH/4	SK22-180TC-100L/40	SK22-180TC-112M/4	SK22-180TC	SK22-W	618	124	515	822	41	385
611	515	1.7	2.77	SK272-100L/40	SK272-112MH/4	SK272-180TC-100L/40	SK272-180TC-112M/4	SK272-180TC	SK272-W	611	122	515	813	41	385
611	515	1.7	2.77	SK372-100L/40	SK372-112MH/4	SK372-180TC-100L/40	SK372-180TC-112M/4	SK372-180TC	SK372-W	611	122	515	813	41	385
583	540	1.7	2.96	SK12-100L/40	SK12-112MH/4	SK12-180TC-100L/40	SK12-180TC-112M/4	SK12-180TC	SK12-W	583	117	540	775	39	405
583	540	2.3	2.96	SK32-100L/40	SK32-112MH/4	SK32-180TC-100L/40	SK32-180TC-112M/4	SK32-180TC	SK32-W	583	117	540	775	39	405
558	565	1	3.09	SK21E-100L/40	SK21E-112MH/4	SK21E-180TC-100L/40	SK21E-180TC-112M/4	SK21E-180TC	SK21E-W	558	112	565	742	37	425
548	575	2	3.17	SK472-100L/40	SK472-112MH/4	SK472-180TC-100L/40	SK472-180TC-112M/4	SK472-180TC	SK472-W	548	110	575	729	36	430
530	595	1.6	3.19	SK272-100L/40	SK272-112MH/4	SK272-180TC-100L/40	SK272-180TC-112M/4	SK272-180TC	SK272-W	530	106	595	705	35	445
530	595	1.6	3.19	SK372-100L/40	SK372-112MH/4	SK372-180TC-100L/40	SK372-180TC-112M/4	SK372-180TC	SK372-W	530	106	595	705	35	445
521	600	1.5	3.31	SK31E-100L/40	SK31E-112MH/4	SK31E-180TC-100L/40	SK31E-180TC-112M/4	SK31E-180TC	SK31E-W	521	104	600	693	35	450
509	620	1.6	3.39	SK12-100L/40	SK12-112MH/4	SK12-180TC-100L/40	SK12-180TC-112M/4	SK12-180TC	SK12-W	509	102	620	677	34	465
504	625	2	3.42	SK41E-100L/40	SK41E-112MH/4	SK41E-180TC-100L/40	SK41E-180TC-112M/4	SK41E-180TC	SK41E-W	504	101	625	670	34	470
489	645	1.8	3.53	SK22-100L/40	SK22-112MH/4	SK22-180TC-100L/40	SK22-180TC-112M/4	SK22-180TC	SK22-W	489	98	645	650	33	485
481	655	1.7	3.52	SK272-100L/40	SK272-112MH/4	SK272-180TC-100L/40	SK272-180TC-112M/4	SK272-180TC	SK272-W	481	96	655	640	32	490
481	655	1.7	3.52	SK372-100L/40	SK372-112MH/4	SK372-180TC-100L/40	SK372-180TC-112M/4	SK372-180TC	SK372-W	481	96	655	640	32	490
479	655	2.1	3.63	SK472-100L/40	SK472-112MH/4	SK472-180TC-100L/40	SK472-180TC-112M/4	SK472-180TC	SK472-W	479	96	655	637	32	490
470	675	1.5	3.67	SK31E-100L/40	SK31E-112MH/4	SK31E-180TC-100L/40	SK31E-180TC-112M/4	SK31E-180TC	SK31E-W	470	94	675	625	31	505
460	680	2.2	3.75	SK32-100L/40	SK32-112MH/4	SK32-180TC-100L/40	SK32-180TC-112M/4	SK32-180TC	SK32-W	460	92	680	612	31	510
445	710	1.8	3.88	SK41E-100L/40	SK41E-112MH/4	SK41E-180TC-100L/40	SK41E-180TC-112M/4	SK41E-180TC	SK41E-W	445	89	710	592	30	530
435	725	1.7	3.97	SK22-100L/40	SK22-112MH/4	SK22-180TC-100L/40	SK22-180TC-112M/4	SK22-180TC	SK22-W	435	87	725	579	29	545
433	725	1.4	3.98	SK12-100L/40	SK12-112MH/4	SK12-180TC-100L/40	SK12-180TC-112M/4	SK12-180TC	SK12-W	433	87	725	576	29	545
418	750	1.6	4.05	SK272-100L/40	SK272-112MH/4	SK272-180TC-100L/40	SK272-180TC-112M/4	SK272-180TC	SK272-W	418	84	750	556	28	565
418	750	1.6	4.05	SK372-100L/40	SK372-112MH/4	SK372-180TC-100L/40	SK372-180TC-112M/4	SK372-180TC	SK372-W	418	84	750	556	28	565
412	760	2	4.23	SK472-100L/40	SK472-112MH/4	SK472-180TC-100L/40	SK472-180TC-112M/4	SK472-180TC	SK472-W	412	82	760	548	27	570
402	785	1.8	4.29	SK41E-100L/40	SK41E-112MH/4	SK41E-180TC-100L/40	SK41E-180TC-112M/4	SK41E-180TC	SK41E-W	402	80	785	535	27	590
399	790	1.3	4.32	SK12-100L/40	SK12-112MH/4	SK12-180TC-100L/40	SK12-180TC-112M/4	SK12-180TC	SK12-W	399	80	790	531	27	590
389	810	2.1	4.43	SK32-100L/40	SK32-112MH/4	SK32-180TC-100L/40	SK32-180TC-112M/4	SK32-180TC	SK32-W	389	78	810	517	26	610
384	820	1.3	4.49	SK12-100L/40	SK12-112MH/4	SK12-180TC-100L/40	SK12-180TC-112M/4	SK12-180TC	SK12-W	384	77	820	511	26	615
373	850	1.6	4.62	SK22-100L/40	SK22-112MH/4	SK22-180TC-100L/40	SK22-180TC-112M/4	SK22-180TC	SK22-W	373	75	850	496	25	640
371	850	1.4	4.57	SK272-100L/40	SK272-112MH/4	SK272-180TC-100L/40	SK272-180TC-112M/4	SK272-180TC	SK272-W	371	74	850	493	25	640
371	850	1.4	4.57	SK372-100L/40	SK372-112MH/4	SK372-180TC-100L/40	SK372-180TC-112M/4	SK372-180TC	SK372-W	371	74	850	493	25	640



Gearmotors & Speed Reducers

5 hp



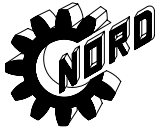
Output Speed n ₂ [rpm]	Output Torque T ₂ [lb-in]	SF f _B	Gear Ratio i	Integral Gearmotor		Gearmotor C-Face		Reducer		5:1 Inverter Duty			20:1 Inverter Duty		
				Standard Motor	EE Motor	Standard Motor	EE Motor	C-Face Input	Solid Input	60Hz	12Hz	80Hz		4Hz	
												n ₆₀ [rpm]	n ₁₂ [rpm]	T ₆₀ [lb-in]	n ₈₀ [rpm]
362	870	2.1	4.80	SK672-100L/40	SK672-112MH/4	SK672-180TC-100L/40	SK672-180TC-112M/4	SK672-180TC	SK672-W	362	72	870	481	24	650
361	880	1.9	4.82	SK472-100L/40	SK472-112MH/4	SK472-180TC-100L/40	SK472-180TC-112M/4	SK472-180TC	SK472-W	361	72	880	480	24	655
361	880	1.9	4.82	SK572-100L/40	SK572-112MH/4	SK572-180TC-100L/40	SK572-180TC-112M/4	SK572-180TC	SK572-W	361	72	880	480	24	655
357	890	1	4.83	SK31E-100L/40	SK31E-112MH/4	SK31E-180TC-100L/40	SK31E-180TC-112M/4	SK31E-180TC	SK31E-W	357	71	890	475	24	665
350	900	1.1	4.93	SK12-100L/40	SK12-112MH/4	SK12-180TC-100L/40	SK12-180TC-112M/4	SK12-180TC	SK12-W	350	70	900	466	23	675
341	920	1.3	4.96	SK272-100L/40	SK272-112MH/4	SK272-180TC-100L/40	SK272-180TC-112M/4	SK272-180TC	SK272-W	341	68	920	454	23	690
341	920	1.3	4.96	SK372-100L/40	SK372-112MH/4	SK372-180TC-100L/40	SK372-180TC-112M/4	SK372-180TC	SK372-W	341	68	920	454	23	690
333	950	1.5	5.18	SK22-100L/40	SK22-112MH/4	SK22-180TC-100L/40	SK22-180TC-112M/4	SK22-180TC	SK22-W	333	67	950	443	22	710
327	970	2.3	5.28	SK32-100L/40	SK32-112MH/4	SK32-180TC-100L/40	SK32-180TC-112M/4	SK32-180TC	SK32-W	327	65	970	435	22	725
317	990	2	5.49	SK672-100L/40	SK672-112MH/4	SK672-180TC-100L/40	SK672-180TC-112M/4	SK672-180TC	SK672-W	317	63	990	422	21	745
314	1000	1.9	5.50	SK32-100L/40	SK32-112MH/4	SK32-180TC-100L/40	SK32-180TC-112M/4	SK32-180TC	SK32-W	314	63	1000	418	21	750
314	1000	1.9	5.50	SK51-100L/40	SK51-112MH/4	SK51-180TC-100L/40	SK51-180TC-112M/4	SK51-180TC	SK51-W	314	63	1000	418	21	755
310	1020	1.9	5.61	SK472-100L/40	SK472-112MH/4	SK472-180TC-100L/40	SK472-180TC-112M/4	SK472-180TC	SK472-W	310	62	1020	412	21	765
310	1020	1.9	5.61	SK572-100L/40	SK572-112MH/4	SK572-180TC-100L/40	SK572-180TC-112M/4	SK572-180TC	SK572-W	310	62	1020	412	21	765
303	1040	2.2	5.70	SK32-100L/40	SK32-112MH/4	SK32-180TC-100L/40	SK32-180TC-112M/4	SK32-180TC	SK32-W	303	61	1040	403	20	785
301	1040	1.2	5.62	SK272-100L/40	SK272-112MH/4	SK272-180TC-100L/40	SK272-180TC-112M/4	SK272-180TC	SK272-W	301	60	1040	400	20	785
301	1040	1.2	5.62	SK372-100L/40	SK372-112MH/4	SK372-180TC-100L/40	SK372-180TC-112M/4	SK372-180TC	SK372-W	301	60	1040	400	20	785
298	1060	1	5.79	SK12-100L/40	SK12-112MH/4	SK12-180TC-100L/40	SK12-180TC-112M/4	SK12-180TC	SK12-W	298	60	1060	396	20	795
298	1060	1.8	5.79	SK22-100L/40	SK22-112MH/4	SK22-180TC-100L/40	SK22-180TC-112M/4	SK22-180TC	SK22-W	298	60	1060	396	20	795
290	1090	2.1	6.02	SK772-100L/40	SK772-112MH/4	SK772-180TC-100L/40	SK772-180TC-112M/4	SK772-180TC	SK772-W	290	58	1090	386	19	820
278	1130	1.9	6.26	SK672-100L/40	SK672-112MH/4	SK672-180TC-100L/40	SK672-180TC-112M/4	SK672-180TC	SK672-W	278	56	1130	370	18	850
276	1140	1.8	6.30	SK472-100L/40	SK472-112MH/4	SK472-180TC-100L/40	SK472-180TC-112M/4	SK472-180TC	SK472-W	276	55	1140	367	18	860
276	1140	1.8	6.30	SK572-100L/40	SK572-112MH/4	SK572-180TC-100L/40	SK572-180TC-112M/4	SK572-180TC	SK572-W	276	55	1140	367	18	860
273	1150	2.2	6.31	SK32-100L/40	SK32-112MH/4	SK32-180TC-100L/40	SK32-180TC-112M/4	SK32-180TC	SK32-W	273	55	1150	363	18	860
266	1190	1	6.34	SK272-100L/40	SK272-112MH/4	SK272-180TC-100L/40	SK272-180TC-112M/4	SK272-180TC	SK272-W	266	53	1190	354	18	890
266	1190	1.1	6.34	SK372-100L/40	SK372-112MH/4	SK372-180TC-100L/40	SK372-180TC-112M/4	SK372-180TC	SK372-W	266	53	1190	354	18	890
265	1190	1.7	6.51	SK22-100L/40	SK22-112MH/4	SK22-180TC-100L/40	SK22-180TC-112M/4	SK22-180TC	SK22-W	265	53	1190	352	18	890
256	1230	2.1	6.74	SK32-100L/40	SK32-112MH/4	SK32-180TC-100L/40	SK32-180TC-112M/4	SK32-180TC	SK32-W	256	51	1230	340	17	920
256	1230	2.1	6.83	SK772-100L/40	SK772-112MH/4	SK772-180TC-100L/40	SK772-180TC-112M/4	SK772-180TC	SK772-W	256	51	1230	340	17	920
251	1260	1	6.75	SK272-100L/40	SK272-112MH/4	SK272-180TC-100L/40	SK272-180TC-112M/4	SK272-180TC	SK272-W	251	50	1260	334	17	940
251	1260	1	6.75	SK372-100L/40	SK372-112MH/4	SK372-180TC-100L/40	SK372-180TC-112M/4	SK372-180TC	SK372-W	251	50	1260	334	17	940
251	1260	1.8	6.86	SK22-100L/40	SK22-112MH/4	SK22-180TC-100L/40	SK22-180TC-112M/4	SK22-180TC	SK22-W	251	50	1260	334	17	940
245	1280	1.6	7.05	SK32-100L/40	SK32-112MH/4	SK32-180TC-100L/40	SK32-180TC-112M/4	SK32-180TC	SK32-W	245	49	1280	326	16	960
245	1280	2	7.14	SK772-100L/40	SK772-112MH/4	SK772-180TC-100L/40	SK772-180TC-112M/4	SK772-180TC	SK772-W	245	49	1280	326	16	960
241	1310	1.6	7.23	SK472-100L/40	SK472-112MH/4	SK472-180TC-100L/40	SK472-180TC-112M/4	SK472-180TC	SK472-W	241	48	1310	321	16	980
241	1310	1.8	7.23	SK572-100L/40	SK572-112MH/4	SK572-180TC-100L/40	SK572-180TC-112M/4	SK572-180TC	SK572-W	241	48	1310	321	16	980
240	1310	1.3	7.18	SK41E-100L/40	SK41E-112MH/4	SK41E-180TC-100L/40	SK41E-180TC-112M/4	SK41E-180TC	SK41E-W	240	48	1310	319	16	980
237	1330	2.4	7.28	SK42-100L/40	SK42-112MH/4	SK42-180TC-100L/40	SK42-180TC-112M/4	SK42-180TC	SK42-W	237	47	1330	315	16	1000
236	1340	1.9	7.37	SK672-100L/40	SK672-112MH/4	SK672-180TC-100L/40	SK672-180TC-112M/4	SK672-180TC	SK672-W	236	47	1340	314	16	1000
228	1380	1.6	7.57	SK22-100L/40	SK22-112MH/4	SK22-180TC-100L/40	SK22-180TC-112M/4	SK22-180TC	SK22-W	228	46	1380	303	15	1040
222	1420	1	7.64	SK372-100L/40	SK372-112MH/4	SK372-180TC-100L/40	SK372-180TC-112M/4	SK372-180TC	SK372-W	222	44	1420	295	15	1060
220	1430	1.7	7.93	SK672-100L/40	SK672-112MH/4	SK672-180TC-100L/40	SK672-180TC-112M/4	SK672-180TC	SK672-W	220	44	1430	293	15	1080
218	1440	2.1	7.90	SK32-100L/40	SK32-112MH/4	SK32-180TC-100L/40	SK32-180TC-112M/4	SK32-180TC	SK32-W	218	44	1440	290	14	1080
216	1460	2	8.10	SK772-100L/40	SK772-112MH/4	SK772-180TC-100L/40	SK772-180TC-112M/4	SK772-180TC	SK772-W	216	43	1460	287	14	1100
209	1510	1.8	8.31	SK672-100L/40	SK672-112MH/4	SK672-180TC-100L/40	SK672-180TC-112M/4	SK672-180TC	SK672-W	209	42	1510	278	14	1130
208	1510	1.4	8.34	SK472-100L/40	SK472-112MH/4	SK472-180TC-100L/40	SK472-180TC-112M/4	SK472-180TC	SK472-W	208	42	1510	277	14	1140
208	1510	1.8	8.34	SK572-100L/40	SK572-112MH/4	SK572-180TC-100L/40	SK572-180TC-112M/4	SK572-180TC	SK572-W	208	42	1510	277	14	1140
206	1530	1.9	8.36	SK32-100L/40	SK32-112MH/4	SK32-180TC-100L/40	SK32-180TC-112M/4	SK32-180TC	SK32-W	206	41	1530	274	14	1150
203	1550	1.5	8.48	SK22-100L/40	SK22-112MH/4	SK22-180TC-100L/40	SK22-180TC-112M/4	SK22-180TC	SK22-W	203	41	1550	270	13	1160



5 hp Gearmotors & Speed Reducers



Output Speed n ₂	Output Torque T ₂ [lb-in]	SF f _B	Gear Ratio i	Integral Gearmotor		Gearmotor C-Face		Reducer		5:1 Inverter Duty			20:1 Inverter Duty		
				Standard Motor	EE Motor	Standard Motor	EE Motor	Solid Input	Shaft Input	[60Hz] n ₆₀ [rpm]	[12Hz] n ₁₂ [rpm]	T ₆₀ [lb-in]	[80Hz] n ₈₀ [rpm]	n ₄ [rpm]	T ₈₀ [lb-in]
203	1550	2.3	8.50	SK42-100L/40	SK42-112MH/4	SK42-180TC-100L/40	SK42-180TC-112M/4	SK42-180TC	SK42-W	203	41	1550	270	13	1160
192	1650	1.9	9.11	SK772-100L/40	SK772-112MH/4	SK772-180TC-100L/40	SK772-180TC-112M/4	SK772-180TC	SK772-W	192	38	1650	255	13	1230
190	1660	1.71	9.09	SK51-100L/40	SK51-112MH/4	SK51-180TC-100L/40	SK51-180TC-112M/4	SK51-180TC	SK51-W	190	38	1660	253	13	1240
188	1670	1.3	9.22	SK472-100L/40	SK472-112MH/4	SK472-180TC-100L/40	SK472-180TC-112M/4	SK472-180TC	SK472-W	188	38	1670	250	13	1260
188	1670	1.8	9.22	SK572-100L/40	SK572-112MH/4	SK572-180TC-100L/40	SK572-180TC-112M/4	SK572-180TC	SK572-W	188	38	1670	250	13	1260
186	1700	1.7	9.33	SK672-100L/40	SK672-112MH/4	SK672-180TC-100L/40	SK672-180TC-112M/4	SK672-180TC	SK672-W	186	37	1700	247	12	1270
176	1790	1.9	9.80	SK32-100L/40	SK32-112MH/4	SK32-180TC-100L/40	SK32-180TC-112M/4	SK32-180TC	SK32-W	176	35	1790	234	12	1340
170	1860	1.9	10.23	SK772-100L/40	SK772-112MH/4	SK772-180TC-100L/40	SK772-180TC-112M/4	SK772-180TC	SK772-W	170	34	1860	226	11	1390
169	1870	2.3	10.20	SK42-100L/40	SK42-112MH/4	SK42-180TC-100L/40	SK42-180TC-112M/4	SK42-180TC	SK42-W	169	34	1870	225	11	1400
166	1900	1.2	10.45	SK472-100L/40	SK472-112MH/4	SK472-180TC-100L/40	SK472-180TC-112M/4	SK472-180TC	SK472-W	166	33	1900	221	11	1430
166	1900	1.7	10.45	SK572-100L/40	SK572-112MH/4	SK572-180TC-100L/40	SK572-180TC-112M/4	SK572-180TC	SK572-W	166	33	1900	221	11	1430
166	1900	1.7	10.52	SK672-100L/40	SK672-112MH/4	SK672-180TC-100L/40	SK672-180TC-112M/4	SK672-180TC	SK672-W	166	33	1900	221	11	1430
158	1990	1.4	10.89	SK22-100L/40	SK22-112MH/4	SK22-180TC-100L/40	SK22-180TC-112M/4	SK22-180TC	SK22-W	158	32	1990	210	11	1490
147	2140	1.9	11.71	SK32-100L/40	SK32-112MH/4	SK32-180TC-100L/40	SK32-180TC-112M/4	SK32-180TC	SK32-W	147	29	2140	196	9.8	1610
144	2190	1.7	12.09	SK672-100L/40	SK672-112MH/4	SK672-180TC-100L/40	SK672-180TC-112M/4	SK672-180TC	SK672-W	144	29	2190	192	9.6	1640
144	2190	1.8	12.10	SK772-100L/40	SK772-112MH/4	SK772-180TC-100L/40	SK772-180TC-112M/4	SK772-180TC	SK772-W	144	29	2190	192	9.6	1640
141	2240	1.3	12.20	SK22-100L/40	SK22-112MH/4	SK22-180TC-100L/40	SK22-180TC-112M/4	SK22-180TC	SK22-W	141	28	2240	188	9.4	1680
140	2250	2.3	12.28	SK42-100L/40	SK42-112MH/4	SK42-180TC-100L/40	SK42-180TC-112M/4	SK42-180TC	SK42-W	140	28	2250	186	9.3	1690
137	2300	1	12.68	SK472-100L/40	SK472-112MH/4	SK472-180TC-100L/40	SK472-180TC-112M/4	SK472-180TC	SK472-W	137	27	2300	182	9.1	1730
137	2300	1.5	12.68	SK572-100L/40	SK572-112MH/4	SK572-180TC-100L/40	SK572-180TC-112M/4	SK572-180TC	SK572-W	137	27	2300	182	9.1	1730
130	2420	1	13.27	SK51-100L/40	SK51-112MH/4	SK51-180TC-100L/40	SK51-180TC-112M/4	SK51-180TC	SK51-W	130	26	2420	173	8.6	1820
128	2460	1.7	13.54	SK772-100L/40	SK772-112MH/4	SK772-180TC-100L/40	SK772-180TC-112M/4	SK772-180TC	SK772-W	128	26	2460	170	8.5	1850
127	2480	2	13.66	SK773-100L/40	SK773-112MH/4	SK773-180TC-100L/40	SK773-180TC-112M/4	SK773-180TC	SK773-W	127	25	2480	169	8.4	1860
125	2520	1.6	13.87	SK672-100L/40	SK672-112MH/4	SK672-180TC-100L/40	SK672-180TC-112M/4	SK672-180TC	SK672-W	125	25	2520	166	8.3	1890
124	2540	1	14.02	SK472-100L/40	SK472-112MH/4	SK472-180TC-100L/40	SK472-180TC-112M/4	SK472-180TC	SK472-W	124	25	2540	165	8.2	1910
124	2540	1.5	14.02	SK572-100L/40	SK572-112MH/4	SK572-180TC-100L/40	SK572-180TC-112M/4	SK572-180TC	SK572-W	124	25	2540	165	8.2	1910
120	2630	2.3	14.38	SK42-100L/40	SK42-112MH/4	SK42-180TC-100L/40	SK42-180TC-112M/4	SK42-180TC	SK42-W	120	24	2630	160	8	1970
119	2650	1.9	14.55	SK32-100L/40	SK32-112MH/4	SK32-180TC-100L/40	SK32-180TC-112M/4	SK32-180TC	SK32-W	119	24	2650	158	7.9	1980
117	2690	1.1	14.69	SK22-100L/40	SK22-112MH/4	SK22-180TC-100L/40	SK22-180TC-112M/4	SK22-180TC	SK22-W	117	23	2690	156	7.8	2020
115	2740	1.6	15.03	SK32-100L/40	SK32-112MH/4	SK32-180TC-100L/40	SK32-180TC-112M/4	SK32-180TC	SK32-W	115	23	2740	153	7.6	2060
114	2760	2.1	15.12	SK42-100L/40	SK42-112MH/4	SK42-180TC-100L/40	SK42-180TC-112M/4	SK42-180TC	SK42-W	114	23	2760	152	7.6	2070
114	2760	2.1	15.25	SK872-100L/40	SK872-112MH/4	SK872-180TC-100L/40	SK872-180TC-112M/4	SK872-180TC	SK872-W	114	23	2760	152	7.6	2070
113	2790	1	15.04	SK572-100L/40	SK572-112MH/4	SK572-180TC-100L/40	SK572-180TC-112M/4	SK572-180TC	SK572-W	113	23	2790	150	7.5	2090
113	2790	1.5	15.44	SK672-100L/40	SK672-112MH/4	SK672-180TC-100L/40	SK672-180TC-112M/4	SK672-180TC	SK672-W	113	23	2790	150	7.5	2090
112	2810	1.4	15.59	SK572-100L/40	SK572-112MH/4	SK572-180TC-100L/40	SK572-180TC-112M/4	SK572-180TC	SK572-W	112	22	2810	149	7.4	2110
112	2810	1.9	15.58	SK773-100L/40	SK773-112MH/4	SK773-180TC-100L/40	SK773-180TC-112M/4	SK773-180TC	SK773-W	112	22	2810	149	7.4	2110
110	2870	1.6	15.66	SK772-100L/40	SK772-112MH/4	SK772-180TC-100L/40	SK772-180TC-112M/4	SK772-180TC	SK772-W	110	22	2870	146	7.3	2150
109	2890	2.1	15.89	SK772-100L/40	SK772-112MH/4	SK772-180TC-100L/40	SK772-180TC-112M/4	SK772-180TC	SK772-W	109	22	2890	145	7.2	2170
106	2970	1.3	16.37	SK573-100L/40	SK573-112MH/4	SK573-180TC-100L/40	SK573-180TC-112M/4	SK573-180TC	SK573-W	106	21	2970	141	7	2230
106	2970	1.8	16.42	SK673-100L/40	SK673-112MH/4	SK673-180TC-100L/40	SK673-180TC-112M/4	SK673-180TC	SK673-W	106	21	2970	141	7	2230
106	2970	1.9	16.25	SK32-100L/40	SK32-112MH/4	SK32-180TC-100L/40	SK32-180TC-112M/4	SK32-180TC	SK32-W	106	21	2970	141	7	2230
104	3040	1.5	16.66	SK32-100L/40	SK32-112MH/4	SK32-180TC-100L/40	SK32-180TC-112M/4	SK32-180TC	SK32-W	104	21	3040	138	6.9	2280
104	3040	2.1	16.78	SK872-100L/40	SK872-112MH/4	SK872-180TC-100L/40	SK872-180TC-112M/4	SK872-180TC	SK872-W	104	21	3040	138	6.9	2280
103	3060	1	16.75	SK22-100L/40	SK22-112MH/4	SK22-180TC-100L/40	SK22-180TC-112M/4	SK22-180TC	SK22-W	103	21	3060	137	6.8	2300
102	3090	1	16.63	SK572-100L/40	SK572-112MH/4	SK572-180TC-100L/40	SK572-180TC-112M/4	SK572-180TC	SK572-W	102	20	3090	136	6.8	2320
100	3150	1.5	17.42	SK672-100L/40	SK672-112MH/4	SK672-180TC-100L/40	SK672-180TC-112M/4	SK672-180TC	SK672-W	100	20	3150	133	6.7	2360
100	3150	1.5	17.36	SK772-100L/40	SK772-112MH/4	SK772-180TC-100L/40	SK772-180TC-112M/4	SK772-180TC	SK772-W	100	20	3150	133	6.7	2360
100	3150	1.8	17.50	SK773-100L/40	SK773-112MH/4	SK773-180TC-100L/40	SK773-180TC-112M/4	SK773-180TC	SK773-W	100	20	3150	133	6.7	2360
99	3190	2.5	17.37	SK63-100L/40	SK63-112MH/4	SK63-180TC-100L/40	SK63-180TC-112M/4	SK63-180TC	SK63-W	99	20	3190	132	6.6	2390



Gearmotors & Speed Reducers

5 hp



Output Speed n ₂	Output Torque T ₂ [lb-in]	SF f _B	Gear Ratio i	Integral Gearmotor		Gearmotor C-Face		Reducer		5:1 Inverter Duty			20:1 Inverter Duty				
				Standard Motor	EE Motor	Standard Motor	EE Motor	Solid Input	Shaft Input	[60Hz]		[12Hz]		[80Hz]		[4Hz]	
										n ₆₀	n ₁₂	T ₆₀	n ₈₀	n ₄	T ₈₀		
97	3210	2.5	17.77	SK972-100L/40	SK972-112MH/4	SK972-180TC-100L/40	SK972-180TC-112M/4	SK972-180TC	SK972-W	98	20	3210	130	6.5	2410		
97	3250	2.1	17.71	SK42-100L/40	SK42-112MH/4	SK42-180TC-100L/40	SK42-180TC-112M/4	SK42-180TC	SK42-W	97	19	3250	129	6.5	2440		
97	3250	2.4	17.81	SK52-100L/40	SK52-112MH/4	SK52-180TC-100L/40	SK52-180TC-112M/4	SK52-180TC	SK52-W	97	19	3250	129	6.5	2440		
96	3280	1.2	17.98	SK572-100L/40	SK572-112MH/4	SK572-180TC-100L/40	SK572-180TC-112M/4	SK572-180TC	SK572-W	96	19	3280	128	6.4	2460		
94	3350	1.6	18.45	SK673-100L/40	SK673-112MH/4	SK673-180TC-100L/40	SK673-180TC-112M/4	SK673-180TC	SK673-W	94	19	3350	125	6.3	2520		
94	3350	2.1	18.53	SK772-100L/40	SK772-112MH/4	SK772-180TC-100L/40	SK772-180TC-112M/4	SK772-180TC	SK772-W	94	19	3350	125	6.3	2520		
92	3430	1	18.44	SK572-100L/40	SK572-112MH/4	SK572-180TC-100L/40	SK572-180TC-112M/4	SK572-180TC	SK572-W	92	18	3430	122	6.1	2570		
92	3430	1.1	18.86	SK672-100L/40	SK672-112MH/4	SK672-180TC-100L/40	SK672-180TC-112M/4	SK672-180TC	SK672-W	92	18	3430	122	6.1	2570		
92	3430	1.2	18.86	SK573-100L/40	SK573-112MH/4	SK573-180TC-100L/40	SK573-180TC-112M/4	SK573-180TC	SK573-W	92	18	3430	122	6.1	2570		
92	3430	1.6	18.67	SK32-100L/40	SK32-112MH/4	SK32-180TC-100L/40	SK32-180TC-112M/4	SK32-180TC	SK32-W	92	18	3430	122	6.1	2570		
92	3430	1.9	18.77	SK872-100L/40	SK872-112MH/4	SK872-180TC-100L/40	SK872-180TC-112M/4	SK872-180TC	SK872-W	92	18	3430	122	6.1	2570		
89	3540	1.5	19.45	SK672-100L/40	SK672-112MH/4	SK672-180TC-100L/40	SK672-180TC-112M/4	SK672-180TC	SK672-W	89	18	3540	118	5.9	2660		
89	3540	2	19.61	SK773-100L/40	SK773-112MH/4	SK773-180TC-100L/40	SK773-180TC-112M/4	SK773-180TC	SK773-W	89	18	3540	118	5.9	2660		
89	3540	2.1	19.72	SK873-100L/40	SK873-112MH/4	SK873-180TC-100L/40	SK873-180TC-112M/4	SK873-180TC	SK873-W	89	18	3540	118	5.9	2660		
88	3580	2.4	19.60	SK52-100L/40	SK52-112MH/4	SK52-180TC-100L/40	SK52-180TC-112M/4	SK52-180TC	SK52-W	88	18	3580	117	5.9	2690		
86	3660	1.1	20.17	SK572-100L/40	SK572-112MH/4	SK572-180TC-100L/40	SK572-180TC-112M/4	SK572-180TC	SK572-W	86	17	3660	114	5.7	2750		
85	3710	2.3	20.37	SK972-100L/40	SK972-112MH/4	SK972-180TC-100L/40	SK972-180TC-112M/4	SK972-180TC	SK972-W	85	17	3710	113	5.7	2780		
83	3800	1	20.90	SK573-100L/40	SK573-112MH/4	SK573-180TC-100L/40	SK573-180TC-112M/4	SK573-180TC	SK573-W	83	17	3800	110	5.5	2850		
83	3800	1.5	20.70	SK32-100L/40	SK32-112MH/4	SK32-180TC-100L/40	SK32-180TC-112M/4	SK32-180TC	SK32-W	83	17	3800	110	5.5	2850		
83	3800	1.5	20.90	SK673-100L/40	SK673-112MH/4	SK673-180TC-100L/40	SK673-180TC-112M/4	SK673-180TC	SK673-W	83	17	3800	110	5.5	2850		
83	3800	1.9	21.02	SK772-100L/40	SK772-112MH/4	SK772-180TC-100L/40	SK772-180TC-112M/4	SK772-180TC	SK772-W	83	17	3800	110	5.5	2850		
83	3800	2.5	20.77	SK63-100L/40	SK63-112MH/4	SK63-180TC-100L/40	SK63-180TC-112M/4	SK63-180TC	SK63-W	83	17	3800	110	5.5	2850		
80	3940	1.3	21.51	SK672-100L/40	SK672-112MH/4	SK672-180TC-100L/40	SK672-180TC-112M/4	SK672-180TC	SK672-W	80	16	3940	106	5.3	2950		
80	3940	2.4	21.68	SK52-100L/40	SK52-112MH/4	SK52-180TC-100L/40	SK52-180TC-112M/4	SK52-180TC	SK52-W	80	16	3940	106	5.3	2950		
79	3990	2.1	21.87	SK42-100L/40	SK42-112MH/4	SK42-180TC-100L/40	SK42-180TC-112M/4	SK42-180TC	SK42-W	79	16	3990	105	5.3	2990		
78	4040	1.8	22.37	SK773-100L/40	SK773-112MH/4	SK773-180TC-100L/40	SK773-180TC-112M/4	SK773-180TC	SK773-W	78	16	4040	104	5.2	3030		
78	4040	2.5	21.98	SK63-100L/40	SK63-112MH/4	SK63-180TC-100L/40	SK63-180TC-112M/4	SK63-180TC	SK63-W	78	16	4040	104	5.2	3030		
77	4100	2.3	22.62	SK972-100L/40	SK972-112MH/4	SK972-180TC-100L/40	SK972-180TC-112M/4	SK972-180TC	SK972-W	77	15	4100	102	5.1	3070		
75	4200	1.3	23.12	SK32-100L/40	SK32-112MH/4	SK32-180TC-100L/40	SK32-180TC-112M/4	SK32-180TC	SK32-W	75	15	4200	100	5	3150		
74	4260	1.3	23.20	SK673-100L/40	SK673-112MH/4	SK673-180TC-100L/40	SK673-180TC-112M/4	SK673-180TC	SK673-W	74	15	4260	98	4.9	3190		
74	4260	2	23.38	SK873-100L/40	SK873-112MH/4	SK873-180TC-100L/40	SK873-180TC-112M/4	SK873-180TC	SK873-W	74	15	4260	98	4.9	3190		
73	4320	1.7	23.62	SK772-100L/40	SK772-112MH/4	SK772-180TC-100L/40	SK772-180TC-112M/4	SK772-180TC	SK772-W	73	15	4320	97	4.9	3240		
72	4380	2.2	23.92	SK52-100L/40	SK52-112MH/4	SK52-180TC-100L/40	SK52-180TC-112M/4	SK52-180TC	SK52-W	72	14	4380	96	4.8	3290		
71	4440	1.7	24.41	SK42-100L/40	SK42-112MH/4	SK42-180TC-100L/40	SK42-180TC-112M/4	SK42-180TC	SK42-W	71	14	4440	94	4.7	3330		
70	4510	1.6	24.72	SK772-100L/40	SK772-112MH/4	SK772-180TC-100L/40	SK772-180TC-112M/4	SK772-180TC	SK772-W	70	14	4510	93	4.7	3380		
70	4510	1.6	25.13	SK773-100L/40	SK773-112MH/4	SK773-180TC-100L/40	SK773-180TC-112M/4	SK773-180TC	SK773-W	70	14	4510	93	4.7	3380		
70	4510	1.8	24.67	SK42-100L/40	SK42-112MH/4	SK42-180TC-100L/40	SK42-180TC-112M/4	SK42-180TC	SK42-W	70	14	4510	93	4.7	3380		
68	4640	1.1	25.32	SK672-100L/40	SK672-112MH/4	SK672-180TC-100L/40	SK672-180TC-112M/4	SK672-180TC	SK672-W	68	14	4640	90	4.5	3480		
66	4780	1.2	26.06	SK673-100L/40	SK673-112MH/4	SK673-180TC-100L/40	SK673-180TC-112M/4	SK673-180TC	SK673-W	66	13	4780	88	4.4	3590		
66	4780	2.1	26.49	SK873-100L/40	SK873-112MH/4	SK873-180TC-100L/40	SK873-180TC-112M/4	SK873-180TC	SK873-W	66	13	4780	88	4.4	3590		
66	4780	2.6	26.28	SK63-100L/40	SK63-112MH/4	SK63-180TC-100L/40	SK63-180TC-112M/4	SK63-180TC	SK63-W	66	13	4780	88	4.4	3590		
65	4850	1.1	26.71	SK772-100L/40	SK772-112MH/4	SK772-180TC-100L/40	SK772-180TC-112M/4	SK772-180TC	SK772-W	65	13	4850	86	4.3	3640		
65	4850	2.2	26.46	SK52-100L/40	SK52-112MH/4	SK52-180TC-100L/40	SK52-180TC-112M/4	SK52-180TC	SK52-W	65	13	4850	86	4.3	3640		
62	5090	1.1	28.05	SK673-100L/40	SK673-112MH/4	SK673-180TC-100L/40	SK673-180TC-112M/4	SK673-180TC	SK673-W	62	12	5090	82	4.1	3820		
61	5170	1.4	28.47	SK773-100L/40	SK773-112MH/4	SK773-180TC-100L/40	SK773-180TC-112M/4	SK773-180TC	SK773-W	61	12	5170	81	4.1	3880		
61	5170	2.7	28.34	SK872-100L/40	SK872-112MH/4	SK872-180TC-100L/40	SK872-180TC-112M/4	SK872-180TC	SK872-W	61	12	5170	81	4.1	3880		
59	5350	1	29.53	SK673-100L/40	SK673-112MH/4	SK673-180TC-100L/40	SK673-180TC-112M/4	SK673-180TC	SK673-W	59	12	5350	78	3.9	4010		
59	5350	1.7	29.29	SK42-100L/40	SK42-112MH/4	SK42-180TC-100L/40	SK42-180TC-112M/4	SK42-180TC	SK42-W	59	12	5350	78	3.9	4010		
58	5430	1.1	30.31	SK772-100L/40	SK772-112MH/4	SK772-180TC-100L/40	SK772-180TC-112M/4	SK772-180TC	SK772-W	58	12	5430	77	3.9	4080		



5 hp Gearmotors & Speed Reducers



Output Speed	Output Torque	SF	Gear Ratio	Integral Gearmotor		Gearmotor C-Face		Reducer		5:1 Inverter Duty			20:1 Inverter Duty				
				Standard	EE Motor	Standard	EE Motor	Solid		[60Hz]	[12Hz]			[80Hz]	[4Hz]		
				Motor	Motor	Motor	Motor	Input	Input Shaft	n ₆₀	n ₁₂	T ₆₀	n ₈₀	n ₄	T ₈₀		
n ₂	T ₂ [lb-in]	f _B	i							[rpm]	[rpm]	[lb-in]	[rpm]	[rpm]	[lb-in]		
57	5530	1.7	30.46	SK42-100L/40	SK42-112MH/4	SK42-180TC-100L/40	SK42-180TC-112M/4	SK42-180TC	SK42-W	57	11	5530	76	3.8	4150		
56	5630	2.4	30.91	SK63-100L/40	SK63-112MH/4	SK63-180TC-100L/40	SK63-180TC-112M/4	SK63-180TC	SK63-W	56	11	5630	74	3.7	4220		
55	5740	2	31.42	SK873-100L/40	SK873-112MH/4	SK873-180TC-100L/40	SK873-180TC-112M/4	SK873-180TC	SK873-W	55	11	5740	73	3.7	4300		
54	5840	2.1	32.09	SK52-100L/40	SK52-112MH/4	SK52-180TC-100L/40	SK52-180TC-112M/4	SK52-180TC	SK52-W	54	11	5840	72	3.6	4380		
54	5840	2.4	31.83	SK872-100L/40	SK872-112MH/4	SK872-180TC-100L/40	SK872-180TC-112M/4	SK872-180TC	SK872-W	54	11	5840	72	3.6	4380		
53	5950	1.2	32.97	SK773-100L/40	SK773-112MH/4	SK773-180TC-100L/40	SK773-180TC-112M/4	SK773-180TC	SK773-W	53	11	5950	70	3.5	4460		
53	5950	1.9	32.56	SK52-100L/40	SK52-112MH/4	SK52-180TC-100L/40	SK52-180TC-112M/4	SK52-180TC	SK52-W	53	11	5950	70	3.5	4460		
50	6300	1.1	34.05	SK772-100L/40	SK772-112MH/4	SK772-180TC-100L/40	SK772-180TC-112M/4	SK772-180TC	SK772-W	50	10	6300	67	3.3	4730		
49	6430	1.1	35.64	SK772-100L/40	SK772-112MH/4	SK772-180TC-100L/40	SK772-180TC-112M/4	SK772-180TC	SK772-W	49	9.8	6430	65	3.3	4830		
49	6430	1.7	35.25	SK42-100L/40	SK42-112MH/4	SK42-180TC-100L/40	SK42-180TC-112M/4	SK42-180TC	SK42-W	49	9.8	6430	65	3.3	4830		
49	6430	1.9	35.32	SK873-100L/40	SK873-112MH/4	SK873-180TC-100L/40	SK873-180TC-112M/4	SK873-180TC	SK873-W	49	9.8	6430	65	3.3	4830		
48	6570	1.9	36.03	SK52-100L/40	SK52-112MH/4	SK52-180TC-100L/40	SK52-180TC-112M/4	SK52-180TC	SK52-W	48	9.6	6570	64	3.2	4930		
48	6570	2.3	36.11	SK63-100L/40	SK63-112MH/4	SK63-180TC-100L/40	SK63-180TC-112M/4	SK63-180TC	SK63-W	48	9.6	6570	64	3.2	4930		
47	6710	1.1	36.79	SK773-100L/40	SK773-112MH/4	SK773-180TC-100L/40	SK773-180TC-112M/4	SK773-180TC	SK773-W	47	9.4	6710	63	3.1	5030		
47	6710	2	36.68	SK872-100L/40	SK872-112MH/4	SK872-180TC-100L/40	SK872-180TC-112M/4	SK872-180TC	SK872-W	47	9.4	6710	63	3.1	5030		
45	7010	2.1	38.45	SK52-100L/40	SK52-112MH/4	SK52-180TC-100L/40	SK52-180TC-112M/4	SK52-180TC	SK52-W	45	9	7010	60	3	5260		
43	7330	1.8	39.91	SK873-100L/40	SK873-112MH/4	SK873-180TC-100L/40	SK873-180TC-112M/4	SK873-180TC	SK873-W	43	8.6	7330	57	2.9	5500		
43	7330	2.8	39.59	SK972-100L/40	SK972-112MH/4	SK972-180TC-100L/40	SK972-180TC-112M/4	SK972-180TC	SK972-W	43	8.6	7330	57	2.9	5500		
42	7500	1.2	40.98	SK43-100L/40	SK43-112MH/4	SK43-180TC-100L/40	SK43-180TC-112M/4	SK43-180TC	SK43-W	42	8.4	7500	56	2.8	5630		
42	7510	1.3	40.78	SK872-100L/40	SK872-112MH/4	SK872-180TC-100L/40	SK872-180TC-112M/4	SK872-180TC	SK872-W	42	8.4	7510	56	2.8	5630		
42	7510	1.4	41.29	SK42-100L/40	SK42-112MH/4	SK42-180TC-100L/40	SK42-180TC-112M/4	SK42-180TC	SK42-W	42	8.4	7510	56	2.8	5630		
41	7690	1	42.60	SK773-100L/40	SK773-112MH/4	SK773-180TC-100L/40	SK773-180TC-112M/4	SK773-180TC	SK773-W	41	8.2	7690	55	2.7	5770		
41	7690	2.1	42.27	SK973-100L/40	SK973-112MH/4	SK973-180TC-100L/40	SK973-180TC-112M/4	SK973-180TC	SK973-W	41	8.2	7690	55	2.7	5770		
40	7890	1.9	43.75	SK873-100L/40	SK873-112MH/4	SK873-180TC-100L/40	SK873-180TC-112M/4	SK873-180TC	SK873-W	40	8	7890	53	2.7	5920		
40	7890	2	44.15	SK973-100L/40	SK973-112MH/4	SK973-180TC-100L/40	SK973-180TC-112M/4	SK973-180TC	SK973-W	40	8	7890	53	2.7	5920		
40	7890	2.4	43.43	SK63-100L/40	SK63-112MH/4	SK63-180TC-100L/40	SK63-180TC-112M/4	SK63-180TC	SK63-W	40	8	7890	53	2.7	5920		
38	8290	1.3	45.81	SK872-100L/40	SK872-112MH/4	SK872-180TC-100L/40	SK872-180TC-112M/4	SK872-180TC	SK872-W	38	7.6	8290	51	2.5	6220		
37	8520	2.4	46.91	SK972-100L/40	SK972-112MH/4	SK972-180TC-100L/40	SK972-180TC-112M/4	SK972-180TC	SK972-W	37	7.4	8520	49	2.5	6390		
36	8750	1.1	48.56	SK43-100L/40	SK43-112MH/4	SK43-180TC-100L/40	SK43-180TC-112M/4	SK43-180TC	SK43-W	36	7.2	8750	48	2.4	6570		
35	9010	1.7	49.43	SK873-100L/40	SK873-112MH/4	SK873-180TC-100L/40	SK873-180TC-112M/4	SK873-180TC	SK873-W	35	7	9010	47	2.3	6760		
35	9010	1.9	48.90	SK52-100L/40	SK52-112MH/4	SK52-180TC-100L/40	SK52-180TC-112M/4	SK52-180TC	SK52-W	35	7	9010	47	2.3	6760		
34	9280	1	50.98	SK42-100L/40	SK42-112MH/4	SK42-180TC-100L/40	SK42-180TC-112M/4	SK42-180TC	SK42-W	34	6.8	9280	45	2.3	6960		
34	9280	2	52.01	SK973-100L/40	SK973-112MH/4	SK973-180TC-100L/40	SK973-180TC-112M/4	SK973-180TC	SK973-W	34	6.8	9280	45	2.3	6960		
34	9280	2.3	50.73	SK63-100L/40	SK63-112MH/4	SK63-180TC-100L/40	SK63-180TC-112M/4	SK63-180TC	SK63-W	34	6.8	9280	45	2.3	6960		
32	9850	1.3	52.79	SK872-100L/40	SK872-112MH/4	SK872-180TC-100L/40	SK872-180TC-112M/4	SK872-180TC	SK872-W	32	6.4	9850	43	2.1	7390		
32	9850	1.7	53.81	SK52-100L/40	SK52-112MH/4	SK52-180TC-100L/40	SK52-180TC-112M/4	SK52-180TC	SK52-W	32	6.4	9850	43	2.1	7390		
32	9850	2.4	53.82	SK63-100L/40	SK63-112MH/4	SK63-180TC-100L/40	SK63-180TC-112M/4	SK63-180TC	SK63-W	32	6.4	9850	43	2.1	7390		
31	10200	1.5	55.32	SK873-100L/40	SK873-112MH/4	SK873-180TC-100L/40	SK873-180TC-112M/4	SK873-180TC	SK873-W	31	6.2	10200	41	2.1	7630		
31	10200	1.8	56.59	SK972-100L/40	SK972-112MH/4	SK972-180TC-100L/40	SK972-180TC-112M/4	SK972-180TC	SK972-W	31	6.2	10200	41	2.1	7630		
30	10500	1	58.27	SK43-100L/40	SK43-112MH/4	SK43-180TC-100L/40	SK43-180TC-112M/4	SK43-180TC	SK43-W	30	6	10500	40	2	7880		
30	10500	2.3	59.18	SK973-100L/40	SK973-112MH/4	SK973-180TC-100L/40	SK973-180TC-112M/4	SK973-180TC	SK973-W	30	6	10500	40	2	7880		
29	10900	1.5	59.54	SK52-100L/40	SK52-112MH/4	SK52-180TC-100L/40	SK52-180TC-112M/4	SK52-180TC	SK52-W	29	5.8	10900	39	1.9	8150		
29	10900	1.6	58.94	SK53-100L/40	SK53-112MH/4	SK53-180TC-100L/40	SK53-180TC-112M/4	SK53-180TC	SK53-W	29	5.8	10900	39	1.9	8150		
28	11300	1.3	63.95	SK873-100L/40	SK873-112MH/4	SK873-180TC-100L/40	SK873-180TC-112M/4	SK873-180TC	SK873-W	28	5.6	11300	37	1.9	8440		
27	11700	2.2	62.87	SK63-100L/40	SK63-112MH/4	SK63-180TC-100L/40	SK63-180TC-112M/4	SK63-180TC	SK63-W	27	5.4	11700	36	1.8	8760		
26	12100	1.4	65.35	SK53-100L/40	SK53-112MH/4	SK53-180TC-100L/40	SK53-180TC-112M/4	SK53-180TC	SK53-W	26	5.2	12100	35	1.7	9090		
26	12100	1.7	67.05	SK972-100L/40	SK972-112MH/4	SK972-180TC-100L/40	SK972-180TC-112M/4	SK972-180TC	SK972-W	26	5.2	12100	35	1.7	9100		
25	12600	2.1	67.45	SK973-100L/40	SK973-112MH/4	SK973-180TC-100L/40	SK973-180TC-112M/4	SK973-180TC	SK973-W	25	5	12600	33	1.7	9460		
24	13100	1.1	71.39	SK52-100L/40	SK52-112MH/4	SK52-180TC-100L/40	SK52-180TC-112M/4	SK52-180TC	SK52-W	24	4.8	13100	32	1.6	9850		



5 hp Gearmotors & Speed Reducers



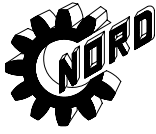
Output Speed n ₂	Output Torque T ₂ [lb-in]	SF f _B	Gear Ratio i	Integral Gearmotor		Gearmotor C-Face		Reducer		5:1 Inverter Duty			20:1 Inverter Duty		
				Standard Motor	EE Motor	Standard Motor	EE Motor	Input	Solid Input Shaft	[60Hz] [12Hz]		[80Hz] [4Hz]			
										n ₆₀ [rpm]	n ₁₂ [rpm]	T ₆₀ [lb-in]	n ₈₀ [rpm]	n ₄ [rpm]	T ₈₀ [lb-in]
24		1.1	70.89	SK873-100L/40	SK873-112MH/4	SK873-180TC-100L/40	SK873-180TC-112M/4	SK873-180TC	SK873-W	24	4.8	13100	32	1.6	9850
23	13700	1.1	76.27	SK873-100L/40	SK873-112MH/4	SK873-180TC-100L/40	SK873-180TC-112M/4	SK873-180TC	SK873-W	23	4.6	13700	31	1.5	10300
23		2.1	77.24	SK973-100L/40	SK973-112MH/4	SK973-180TC-100L/40	SK973-180TC-112M/4	SK973-180TC	SK973-W	23	4.6	13700	31	1.5	10300
22	14300	1	78.56	SK52-100L/40	SK52-112MH/4	SK52-180TC-100L/40	SK52-180TC-112M/4	SK52-180TC	SK52-W	22	4.4	14300	29	1.5	10700
22		1	81.51	SK873-100L/40	SK873-112MH/4	SK873-180TC-100L/40	SK873-180TC-112M/4	SK873-180TC	SK873-W	22	4.4	14300	29	1.5	10700
22	14300	1.2	79.69	SK53-100L/40	SK53-112MH/4	SK53-180TC-100L/40	SK53-180TC-112M/4	SK53-180TC	SK53-W	22	4.4	14300	29	1.5	10700
22		2.1	77.46	SK63-100L/40	SK63-112MH/4	SK63-180TC-100L/40	SK63-180TC-112M/4	SK63-180TC	SK63-W	22	4.4	14300	29	1.5	10700
20	15800	1	86.92	SK52-100L/40	SK52-112MH/4	SK52-180TC-100L/40	SK52-180TC-112M/4	SK52-180TC	SK52-W	20	4	15800	27	1.3	11800
20		1.8	87.06	SK63-100L/40	SK63-112MH/4	SK63-180TC-100L/40	SK63-180TC-112M/4	SK63-180TC	SK63-W	20	4	15800	27	1.3	11800
20	15800	1.8	83.00	SK973-100L/40	SK973-112MH/4	SK973-180TC-100L/40	SK973-180TC-112M/4	SK973-180TC	SK973-W	20	4	15800	27	1.3	11800
19		2.2	91.38	SK73-100L/40	SK73-112MH/4	SK73-180TC-100L/40	SK73-180TC-112M/4	SK73-180TC	SK73-W	19	3.8	16600	25	1.3	12400
18	17500	1.1	95.49	SK53-100L/40	SK53-112MH/4	SK53-180TC-100L/40	SK53-180TC-112M/4	SK53-180TC	SK53-W	18	3.6	17500	24	1.2	13100
18		1.6	95.04	SK973-100L/40	SK973-112MH/4	SK973-180TC-100L/40	SK973-180TC-112M/4	SK973-180TC	SK973-W	18	3.6	17500	24	1.2	13100
17	18500	1.5	105.37	SK973-100L/40	SK973-112MH/4	SK973-180TC-100L/40	SK973-180TC-112M/4	SK973-180TC	SK973-W	17	3.4	18500	23	1.1	13900
17		1.9	100.46	SK73-100L/40	SK73-112MH/4	SK73-180TC-100L/40	SK73-180TC-112M/4	SK73-180TC	SK73-W	17	3.4	18500	23	1.1	13900
16	19700	1	105.87	SK53-100L/40	SK53-112MH/4	SK53-180TC-100L/40	SK53-180TC-112M/4	SK53-180TC	SK53-W	16	3.2	19700	21	1.1	14800
16		1.6	107.89	SK63-100L/40	SK63-112MH/4	SK63-180TC-100L/40	SK63-180TC-112M/4	SK63-180TC	SK63-W	16	3.2	19700	21	1.1	14800
14	22500	1.3	124.17	SK973-100L/40	SK973-112MH/4	SK973-180TC-100L/40	SK973-180TC-112M/4	SK973-180TC	SK973-W	14	2.8	22500	19	0.93	16900
14		1.9	124.41	SK73-100L/40	SK73-112MH/4	SK73-180TC-100L/40	SK73-180TC-112M/4	SK73-180TC	SK73-W	14	2.8	22500	19	0.93	16900
13	24200	2.7	136.78	SK83-100L/40	SK83-112MH/4	SK83-180TC-100L/40	SK83-180TC-112M/4	SK83-180TC	SK83-W	13	2.6	24200	17	0.86	18200
12		1.1	146.30	SK973-100L/40	SK973-112MH/4	SK973-180TC-100L/40	SK973-180TC-112M/4	SK973-180TC	SK973-W	12	2.4	26300	16	0.8	19700
12	26300	1.2	145.71	SK63-100L/40	SK63-112MH/4	SK63-180TC-100L/40	SK63-180TC-112M/4	SK63-180TC	SK63-W	12	2.4	26300	16	0.8	19700
10		1.6	166.03	SK73-100L/40	SK73-112MH/4	SK73-180TC-100L/40	SK73-180TC-112M/4	SK73-180TC	SK73-W	10	2	31500	13	0.67	23600



7.5 hp Gearmotors & Speed Reducers



Output Speed n ₂ [rpm]	Output Torque T ₂ [lb-in]	SF f _s	Gear Ratio i	Integral Gearmotor		Gearmotor C-Face		Reducer		5:1 Inverter Duty			20:1 Inverter Duty		
				Standard Motor	EE Motor	Standard Motor	EE Motor	C-Face Input	Solid Input Shaft	[60Hz] n ₆₀ [rpm]	[12Hz] n ₁₂ [rpm]	T ₆₀ [lb-in]	[80Hz] n ₈₀ [rpm]	[4Hz] n ₄ [rpm]	T ₈₀ [lb-in]
1304	360	3.5	1.33	SK31E-132S/4	SK31E-132SH/4	SK31E-210TC-132S/4	SK31E-210TC-132SH/4	SK31E-210TC	SK31E-W	1304	261	360	1735	87	270
986	480	2.8	1.76	SK31E-132S/4	SK31E-132SH/4	SK31E-210TC-132S/4	SK31E-210TC-132SH/4	SK31E-210TC	SK31E-W	986	197	480	1310	66	360
834	565	2.6	2.08	SK31E-132S/4	SK31E-132SH/4	SK31E-210TC-132S/4	SK31E-210TC-132SH/4	SK31E-210TC	SK31E-W	834	167	565	1110	55	425
672	710	2.3	2.58	SK31E-132S/4	SK31E-132SH/4	SK31E-210TC-132S/4	SK31E-210TC-132SH/4	SK31E-210TC	SK31E-W	672	134	710	894	45	530
637	745	2.3	2.73	SK472-132S/4	SK472-132SH/4	SK472-210TC-132S/4	SK472-210TC-132SH/4	SK472-210TC	SK472-W	637	127	745	847	42	555
598	790	3.2	2.91	SK672-132S/4	SK672-132SH/4	SK672-210TC-132S/4	SK672-210TC-132SH/4	SK672-210TC	SK672-W	598	120	790	795	40	590
586	810	3.4	2.96	SK32-132S/4	SK32-132SH/4	SK32-210TC-132S/4	SK32-210TC-132SH/4	SK32-210TC	SK32-W	586	117	810	779	39	605
563	840	2.9	3.08	SK41E-132S/4	SK41E-132SH/4	SK41E-210TC-132S/4	SK41E-210TC-132SH/4	SK41E-210TC	SK41E-W	563	113	840	749	37	630
548	870	2.1	3.17	SK472-132S/4	SK472-132SH/4	SK472-210TC-132S/4	SK472-210TC-132SH/4	SK472-210TC	SK472-W	548	110	870	729	36	650
524	900	1	3.31	SK31E-132S/4	SK31E-132SH/4	SK31E-210TC-132S/4	SK31E-210TC-132SH/4	SK31E-210TC	SK31E-W	524	105	900	697	35	675
507	930	1.3	3.42	SK41E-132S/4	SK41E-132SH/4	SK41E-210TC-132S/4	SK41E-210TC-132SH/4	SK41E-210TC	SK41E-W	507	101	930	674	34	695
504	940	3.2	3.45	SK672-132S/4	SK672-132SH/4	SK672-210TC-132S/4	SK672-210TC-132SH/4	SK672-210TC	SK672-W	504	101	940	670	34	705
479	990	1.8	3.63	SK472-132S/4	SK472-132SH/4	SK472-210TC-132S/4	SK472-210TC-132SH/4	SK472-210TC	SK472-W	479	96	990	637	32	745
479	990	2.8	3.63	SK572-132S/4	SK572-132SH/4	SK572-210TC-132S/4	SK572-210TC-132SH/4	SK572-210TC	SK572-W	479	96	990	637	32	745
473	1000	1	3.67	SK31E-132S/4	SK31E-132SH/4	SK31E-210TC-132S/4	SK31E-210TC-132SH/4	SK31E-210TC	SK31E-W	473	95	1000	629	31	750
463	1020	3.2	3.75	SK32-132S/4	SK32-132SH/4	SK32-210TC-132S/4	SK32-210TC-132SH/4	SK32-210TC	SK32-W	463	93	1020	616	31	765
447	1060	1.2	3.88	SK41E-132S/4	SK41E-132SH/4	SK41E-210TC-132S/4	SK41E-210TC-132SH/4	SK41E-210TC	SK41E-W	447	89	1060	595	30	795
443	1070	3.2	3.93	SK672-132S/4	SK672-132SH/4	SK672-210TC-132S/4	SK672-210TC-132SH/4	SK672-210TC	SK672-W	443	89	1070	589	29	800
414	1140	3	4.20	SK672-132S/4	SK672-132SH/4	SK672-210TC-132S/4	SK672-210TC-132SH/4	SK672-210TC	SK672-W	414	83	1140	551	28	860
412	1150	1.7	4.23	SK472-132S/4	SK472-132SH/4	SK472-210TC-132S/4	SK472-210TC-132SH/4	SK472-210TC	SK472-W	412	82	1150	548	27	860
412	1150	2.4	4.23	SK572-132S/4	SK572-132SH/4	SK572-210TC-132S/4	SK572-210TC-132SH/4	SK572-210TC	SK572-W	412	82	1150	548	27	860
404	1170	1.2	4.29	SK41E-132S/4	SK41E-132SH/4	SK41E-210TC-132S/4	SK41E-210TC-132SH/4	SK41E-210TC	SK41E-W	404	81	1170	537	27	880
392	1200	2.9	4.43	SK32-132S/4	SK32-132SH/4	SK32-210TC-132S/4	SK32-210TC-132SH/4	SK32-210TC	SK32-W	392	78	1200	521	26	900
362	1310	3	4.80	SK672-132S/4	SK672-132SH/4	SK672-210TC-132S/4	SK672-210TC-132SH/4	SK672-210TC	SK672-W	362	72	1310	481	24	980
361	1310	1.5	4.82	SK472-132S/4	SK472-132SH/4	SK472-210TC-132S/4	SK472-210TC-132SH/4	SK472-210TC	SK472-W	361	72	1310	480	24	980
361	1310	2.1	4.82	SK572-132S/4	SK572-132SH/4	SK572-210TC-132S/4	SK572-210TC-132SH/4	SK572-210TC	SK572-W	361	72	1310	480	24	980
329	1430	1.2	5.27	SK41E-132S/4	SK41E-132SH/4	SK41E-210TC-132S/4	SK41E-210TC-132SH/4	SK41E-210TC	SK41E-W	329	66	1430	438	22	1080
329	1430	3.4	5.28	SK32-132S/4	SK32-132SH/4	SK32-210TC-132S/4	SK32-210TC-132SH/4	SK32-210TC	SK32-W	329	66	1430	438	22	1080
317	1500	2.8	5.49	SK672-132S/4	SK672-132SH/4	SK672-210TC-132S/4	SK672-210TC-132SH/4	SK672-210TC	SK672-W	317	63	1500	422	21	1120
315	1500	1.3	5.50	SK51-132S/4	SK51-132SH/4	SK51-210TC-132S/4	SK51-210TC-132SH/4	SK51-210TC	SK51-W	315	63	1500	419	21	1130
315	1510	2.6	5.50	SK32-132S/4	SK32-132SH/4	SK32-210TC-132S/4	SK32-210TC-132SH/4	SK32-210TC	SK32-W	315	63	1510	419	21	1130
310	1520	1.3	5.61	SK472-132S/4	SK472-132SH/4	SK472-210TC-132S/4	SK472-210TC-132SH/4	SK472-210TC	SK472-W	310	62	1520	412	21	1140
310	1520	2	5.61	SK572-132S/4	SK572-132SH/4	SK572-210TC-132S/4	SK572-210TC-132SH/4	SK572-210TC	SK572-W	310	62	1520	412	21	1140
304	1560	3.2	5.70	SK32-132S/4	SK32-132SH/4	SK32-210TC-132S/4	SK32-210TC-132SH/4	SK32-210TC	SK32-W	304	61	1560	404	20	1170
278	1700	2.7	6.26	SK672-132S/4	SK672-132SH/4	SK672-210TC-132S/4	SK672-210TC-132SH/4	SK672-210TC	SK672-W	278	56	1700	370	18	1270
276	1720	1.2	6.30	SK472-132S/4	SK472-132SH/4	SK472-210TC-132S/4	SK472-210TC-132SH/4	SK472-210TC	SK472-W	276	55	1720	367	18	1290
276	1720	1.8	6.30	SK572-132S/4	SK572-132SH/4	SK572-210TC-132S/4	SK572-210TC-132SH/4	SK572-210TC	SK572-W	276	55	1720	367	18	1290
275	1720	3.4	6.31	SK32-132S/4	SK32-132SH/4	SK32-210TC-132S/4	SK32-210TC-132SH/4	SK32-210TC	SK32-W	275	55	1720	366	18	1290
257	1840	2.9	6.74	SK32-132S/4	SK32-132SH/4	SK32-210TC-132S/4	SK32-210TC-132SH/4	SK32-210TC	SK32-W	257	51	1840	342	17	1380
254	1860	1.9	6.82	SK51-132S/4	SK51-132SH/4	SK51-210TC-132S/4	SK51-210TC-132SH/4	SK51-210TC	SK51-W	254	51	1860	338	17	1400
246	1920	1.1	7.05	SK32-132S/4	SK32-132SH/4	SK32-210TC-132S/4	SK32-210TC-132SH/4	SK32-210TC	SK32-W	246	49	1920	327	16	1440
241	1970	1	7.23	SK472-132S/4	SK472-132SH/4	SK472-210TC-132S/4	SK472-210TC-132SH/4	SK472-210TC	SK472-W	241	48	1970	321	16	1470
241	1970	1.6	7.23	SK572-132S/4	SK572-132SH/4	SK572-210TC-132S/4	SK572-210TC-132SH/4	SK572-210TC	SK572-W	241	48	1970	321	16	1470
238	1990	3.5	7.28	SK42-132S/4	SK42-132SH/4	SK42-210TC-132S/4	SK42-210TC-132SH/4	SK42-210TC	SK42-W	238	48	1990	317	16	1490
236	2000	2.2	7.37	SK672-132S/4	SK672-132SH/4	SK672-210TC-132S/4	SK672-210TC-132SH/4	SK672-210TC	SK672-W	236	47	2000	314	16	1500
220	2150	2.2	7.93	SK672-132S/4	SK672-132SH/4	SK672-210TC-132S/4	SK672-210TC-132SH/4	SK672-210TC	SK672-W	220	44	2150	293	15	1610
220	2150	2.7	7.90	SK32-132S/4	SK32-132SH/4	SK32-210TC-132S/4	SK32-210TC-132SH/4	SK32-210TC	SK32-W	220	44	2150	293	15	1610
209	2270	2	8.31	SK672-132S/4	SK672-132SH/4	SK672-210TC-132S/4	SK672-210TC-132SH/4	SK672-210TC	SK672-W	209	42	2270	278	14	1700
208	2270	1.5	8.34	SK572-132S/4	SK572-132SH/4	SK572-210TC-132S/4	SK572-210TC-132SH/4	SK572-210TC	SK572-W	208	42	2270	277	14	1710



7.5 hp Gearmotors & Speed Reducers



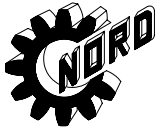
Output Speed n ₂ [rpm]	Output Torque T ₂ [lb-in]	SF f _s	Gear Ratio i	Integral Gearmotor		Gearmotor C-Face		Reducer		5:1 Inverter Duty			20:1 Inverter Duty		
				Standard Motor	EE Motor	Standard Motor	EE Motor	C-Face Input	Solid Input Shaft	[60Hz] n ₆₀ [rpm]	[12Hz] n ₁₂ [rpm]	T ₆₀ [lb-in]	[80Hz] n ₈₀ [rpm]	n ₄ [rpm]	T ₈₀ [lb-in]
208	2270	2.3	8.36	SK32-132S/4	SK32-132SH/4	SK32-210TC-132S/4	SK32-210TC-132SH/4	SK32-210TC	SK32-W	208	42	2270	277	14	1710
204	2320	3.2	8.50	SK42-132S/4	SK42-132SH/4	SK42-210TC-132S/4	SK42-210TC-132SH/4	SK42-210TC	SK42-W	204	41	2320	271	14	1740
192	2460	2.3	9.11	SK772-132S/4	SK772-132SH/4	SK772-210TC-132S/4	SK772-210TC-132SH/4	SK772-210TC	SK772-W	192	38	2460	255	13	1850
188	2510	1.3	9.22	SK572-132S/4	SK572-132SH/4	SK572-210TC-132S/4	SK572-210TC-132SH/4	SK572-210TC	SK572-W	188	38	2510	250	13	1890
186	2540	1.8	9.33	SK672-132S/4	SK672-132SH/4	SK672-210TC-132S/4	SK672-210TC-132SH/4	SK672-210TC	SK672-W	186	37	2540	247	12	1910
177	2670	2.1	9.80	SK32-132S/4	SK32-132SH/4	SK32-210TC-132S/4	SK32-210TC-132SH/4	SK32-210TC	SK32-W	177	35	2670	235	12	2010
175	2700	1	9.09	SK51-132S/4	SK51-132SH/4	SK51-210TC-132S/4	SK51-210TC-132SH/4	SK51-210TC	SK51-W	175	35	2700	233	12	2030
170	2780	2.1	10.23	SK772-132S/4	SK772-132SH/4	SK772-210TC-132S/4	SK772-210TC-132SH/4	SK772-210TC	SK772-W	170	34	2780	226	11	2080
170	2780	3.2	10.20	SK42-132S/4	SK42-132SH/4	SK42-210TC-132S/4	SK42-210TC-132SH/4	SK42-210TC	SK42-W	170	34	2780	226	11	2080
169	2800	3.2	10.34	SK872-132S/4	SK872-132SH/4	SK872-210TC-132S/4	SK872-210TC-132SH/4	SK872-210TC	SK872-W	169	34	2800	225	11	2100
166	2850	1.2	10.45	SK572-132S/4	SK572-132SH/4	SK572-210TC-132S/4	SK572-210TC-132SH/4	SK572-210TC	SK572-W	166	33	2850	221	11	2140
166	2850	1.7	10.52	SK672-132S/4	SK672-132SH/4	SK672-210TC-132S/4	SK672-210TC-132SH/4	SK672-210TC	SK672-W	166	33	2850	221	11	2140
151	3130	3.2	11.61	SK872-132S/4	SK872-132SH/4	SK872-210TC-132S/4	SK872-210TC-132SH/4	SK872-210TC	SK872-W	151	30	3130	201	10	2350
148	3200	2	11.71	SK32-132S/4	SK32-132SH/4	SK32-210TC-132S/4	SK32-210TC-132SH/4	SK32-210TC	SK32-W	148	30	3200	197	9.8	2400
144	3280	1.4	12.09	SK672-132S/4	SK672-132SH/4	SK672-210TC-132S/4	SK672-210TC-132SH/4	SK672-210TC	SK672-W	144	29	3280	192	9.6	2460
144	3280	1.9	12.10	SK772-132S/4	SK772-132SH/4	SK772-210TC-132S/4	SK772-210TC-132SH/4	SK772-210TC	SK772-W	144	29	3280	192	9.6	2460
141	3350	3.2	12.28	SK42-132S/4	SK42-132SH/4	SK42-210TC-132S/4	SK42-210TC-132SH/4	SK42-210TC	SK42-W	141	28	3350	188	9.4	2520
137	3450	1	12.68	SK572-132S/4	SK572-132SH/4	SK572-210TC-132S/4	SK572-210TC-132SH/4	SK572-210TC	SK572-W	137	27	3450	182	9.1	2590
132	3580	3	13.23	SK872-132S/4	SK872-132SH/4	SK872-210TC-132S/4	SK872-210TC-132SH/4	SK872-210TC	SK872-W	132	26	3580	176	8.8	2690
128	3690	1.7	13.54	SK772-132S/4	SK772-132SH/4	SK772-210TC-132S/4	SK772-210TC-132SH/4	SK772-210TC	SK772-W	128	26	3690	170	8.5	2770
127	3730	1.8	13.66	SK773-132S/4	SK773-132SH/4	SK773-210TC-132S/4	SK773-210TC-132SH/4	SK773-210TC	SK773-W	127	25	3730	169	8.4	2800
125	3780	1.1	13.87	SK672-132S/4	SK672-132SH/4	SK672-210TC-132S/4	SK672-210TC-132SH/4	SK672-210TC	SK672-W	125	25	3780	166	8.3	2830
124	3810	1	14.02	SK572-132S/4	SK572-132SH/4	SK572-210TC-132S/4	SK572-210TC-132SH/4	SK572-210TC	SK572-W	124	25	3810	165	8.2	2860
121	3910	2.6	14.38	SK42-132S/4	SK42-132SH/4	SK42-210TC-132S/4	SK42-210TC-132SH/4	SK42-210TC	SK42-W	121	24	3910	161	8	2930
120	3940	2.9	14.56	SK872-132S/4	SK872-132SH/4	SK872-210TC-132S/4	SK872-210TC-132SH/4	SK872-210TC	SK872-W	120	24	3940	160	8	2950
119	3970	1.5	14.55	SK32-132S/4	SK32-132SH/4	SK32-210TC-132S/4	SK32-210TC-132SH/4	SK32-210TC	SK32-W	119	24	3970	158	7.9	2980
115	4120	1.1	15.03	SK32-132S/4	SK32-132SH/4	SK32-210TC-132S/4	SK32-210TC-132SH/4	SK32-210TC	SK32-W	115	23	4120	153	7.6	3090
115	4120	2.7	15.12	SK42-132S/4	SK42-132SH/4	SK42-210TC-132S/4	SK42-210TC-132SH/4	SK42-210TC	SK42-W	115	23	4120	153	7.6	3090
114	4150	2.9	15.25	SK872-132S/4	SK872-132SH/4	SK872-210TC-132S/4	SK872-210TC-132SH/4	SK872-210TC	SK872-W	114	23	4150	152	7.6	3110
113	4190	1	15.44	SK672-132S/4	SK672-132SH/4	SK672-210TC-132S/4	SK672-210TC-132SH/4	SK672-210TC	SK672-W	113	23	4190	150	7.5	3140
112	4220	1.6	15.58	SK773-132S/4	SK773-132SH/4	SK773-210TC-132S/4	SK773-210TC-132SH/4	SK773-210TC	SK773-W	112	22	4220	149	7.4	3170
110	4300	1.1	15.66	SK772-132S/4	SK772-132SH/4	SK772-210TC-132S/4	SK772-210TC-132SH/4	SK772-210TC	SK772-W	110	22	4300	146	7.3	3230
109	4340	1.4	15.89	SK772-132S/4	SK772-132SH/4	SK772-210TC-132S/4	SK772-210TC-132SH/4	SK772-210TC	SK772-W	109	22	4340	145	7.2	3250
107	4420	1.3	16.25	SK32-132S/4	SK32-132SH/4	SK32-210TC-132S/4	SK32-210TC-132SH/4	SK32-210TC	SK32-W	107	21	4420	142	7.1	3310
106	4460	1.2	16.42	SK673-132S/4	SK673-132SH/4	SK673-210TC-132S/4	SK673-210TC-132SH/4	SK673-210TC	SK673-W	106	21	4460	141	7	3350
104	4550	1	16.66	SK32-132S/4	SK32-132SH/4	SK32-210TC-132S/4	SK32-210TC-132SH/4	SK32-210TC	SK32-W	104	21	4550	138	6.9	3410
104	4550	2.7	16.78	SK872-132S/4	SK872-132SH/4	SK872-210TC-132S/4	SK872-210TC-132SH/4	SK872-210TC	SK872-W	104	21	4550	138	6.9	3410
104	4550	2.9	16.69	SK873-132S/4	SK873-132SH/4	SK873-210TC-132S/4	SK873-210TC-132SH/4	SK873-210TC	SK873-W	104	21	4550	138	6.9	3410
100	4730	1	17.42	SK672-132S/4	SK672-132SH/4	SK672-210TC-132S/4	SK672-210TC-132SH/4	SK672-210TC	SK672-W	100	20	4730	133	6.7	3550
100	4730	1	17.36	SK772-132S/4	SK772-132SH/4	SK772-210TC-132S/4	SK772-210TC-132SH/4	SK772-210TC	SK772-W	100	20	4730	133	6.7	3550
100	4730	1.5	17.50	SK773-132S/4	SK773-132SH/4	SK773-210TC-132S/4	SK773-210TC-132SH/4	SK773-210TC	SK773-W	100	20	4730	133	6.7	3550
98	4820	2.2	17.71	SK42-132S/4	SK42-132SH/4	SK42-210TC-132S/4	SK42-210TC-132SH/4	SK42-210TC	SK42-W	98	20	4820	130	6.5	3620
97	4880	1.8	17.92	SK42-132S/4	SK42-132SH/4	SK42-210TC-132S/4	SK42-210TC-132SH/4	SK42-210TC	SK42-W	97	19	4880	129	6.5	3660
97	4880	3.4	17.81	SK52-132S/4	SK52-132SH/4	SK52-210TC-132S/4	SK52-210TC-132SH/4	SK52-210TC	SK52-W	97	19	4880	129	6.5	3660
95	4970	2.5	18.32	SK872-132S/4	SK872-132SH/4	SK872-210TC-132S/4	SK872-210TC-132SH/4	SK872-210TC	SK872-W	95	19	4970	126	6.3	3730
94	5030	1.1	18.45	SK673-132S/4	SK673-132SH/4	SK673-210TC-132S/4	SK673-210TC-132SH/4	SK673-210TC	SK673-W	94	19	5030	125	6.3	3770
94	5030	1.4	18.53	SK772-132S/4	SK772-132SH/4	SK772-210TC-132S/4	SK772-210TC-132SH/4	SK772-210TC	SK772-W	94	19	5030	125	6.3	3770
93	5090	1.1	18.67	SK32-132S/4	SK32-132SH/4	SK32-210TC-132S/4	SK32-210TC-132SH/4	SK32-210TC	SK32-W	93	19	5090	124	6.2	3820
92	5140	2.5	18.77	SK872-132S/4	SK872-132SH/4	SK872-210TC-132S/4	SK872-210TC-132SH/4	SK872-210TC	SK872-W	92	18	5140	122	6.1	3860



7.5 hp Gearmotors & Speed Reducers



Output Speed n ₂	Output Torque T ₂ [lb-in]	SF f _s	Gear Ratio i	Integral Gearmotor		Gearmotor C-Face		Reducer		5:1 Inverter Duty			20:1 Inverter Duty		
				Standard Motor	EE Motor	Standard Motor	EE Motor	Input	Solid Input Shaft	60Hz	12Hz	T ₆₀	80Hz	4Hz	T ₈₀
										n ₆₀ [rpm]	n ₁₂ [rpm]		n ₈₀ [rpm]	n ₄ [rpm]	
89	5310	1.3	19.61	SK773-132S/4	SK773-132SH/4	SK773-210TC-132S/4	SK773-210TC-132SH/4	SK773-210TC	SK773-W	89	18	5310	118	5.9	3980
89	5310	2.7	19.72	SK873-132S/4	SK873-132SH/4	SK873-210TC-132S/4	SK873-210TC-132SH/4	SK873-210TC	SK873-W	89	18	5310	118	5.9	3980
89	5310	3.2	19.60	SK52-132S/4	SK52-132SH/4	SK52-210TC-132S/4	SK52-210TC-132SH/4	SK52-210TC	SK52-W	89	18	5310	118	5.9	3980
84	5630	1	20.70	SK32-132S/4	SK32-132SH/4	SK32-210TC-132S/4	SK32-210TC-132SH/4	SK32-210TC	SK32-W	84	17	5630	112	5.6	4220
83	5700	1	20.90	SK673-132S/4	SK673-132SH/4	SK673-210TC-132S/4	SK673-210TC-132SH/4	SK673-210TC	SK673-W	83	17	5700	110	5.5	4280
83	5700	1.3	21.02	SK772-132S/4	SK772-132SH/4	SK772-210TC-132S/4	SK772-210TC-132SH/4	SK772-210TC	SK772-W	83	17	5700	110	5.5	4280
81	5840	1.8	21.50	SK42-132S/4	SK42-132SH/4	SK42-210TC-132S/4	SK42-210TC-132SH/4	SK42-210TC	SK42-W	81	16	5840	108	5.4	4380
80	5910	2.8	21.68	SK52-132S/4	SK52-132SH/4	SK52-210TC-132S/4	SK52-210TC-132SH/4	SK52-210TC	SK52-W	80	16	5910	106	5.3	4440
79	5980	1.6	21.87	SK42-132S/4	SK42-132SH/4	SK42-210TC-132S/4	SK42-210TC-132SH/4	SK42-210TC	SK42-W	79	16	5980	105	5.3	4490
79	5980	2.3	22.16	SK872-132S/4	SK872-132SH/4	SK872-210TC-132S/4	SK872-210TC-132SH/4	SK872-210TC	SK872-W	79	16	5980	105	5.3	4490
78	6060	1.2	22.37	SK773-132S/4	SK773-132SH/4	SK773-210TC-132S/4	SK773-210TC-132SH/4	SK773-210TC	SK773-W	78	16	6060	104	5.2	4550
74	6390	2.3	23.38	SK873-132S/4	SK873-132SH/4	SK873-210TC-132S/4	SK873-210TC-132SH/4	SK873-210TC	SK873-W	74	15	6390	98	4.9	4790
73	6480	1.1	23.62	SK772-132S/4	SK772-132SH/4	SK772-210TC-132S/4	SK772-210TC-132SH/4	SK772-210TC	SK772-W	73	15	6480	97	4.9	4860
73	6480	2.6	23.92	SK52-132S/4	SK52-132SH/4	SK52-210TC-132S/4	SK52-210TC-132SH/4	SK52-210TC	SK52-W	73	15	6480	97	4.9	4860
72	6570	2.3	24.07	SK52-132S/4	SK52-132SH/4	SK52-210TC-132S/4	SK52-210TC-132SH/4	SK52-210TC	SK52-W	72	14	6570	96	4.8	4930
71	6660	1.1	24.41	SK42-132S/4	SK42-132SH/4	SK42-210TC-132S/4	SK42-210TC-132SH/4	SK42-210TC	SK42-W	71	14	6660	94	4.7	5000
70	6750	1.1	24.72	SK772-132S/4	SK772-132SH/4	SK772-210TC-132S/4	SK772-210TC-132SH/4	SK772-210TC	SK772-W	70	14	6750	93	4.7	5070
70	6750	1.1	25.13	SK773-132S/4	SK773-132SH/4	SK773-210TC-132S/4	SK773-210TC-132SH/4	SK773-210TC	SK773-W	70	14	6750	93	4.7	5070
70	6750	1.2	24.67	SK42-132S/4	SK42-132SH/4	SK42-210TC-132S/4	SK42-210TC-132SH/4	SK42-210TC	SK42-W	70	14	6750	93	4.7	5070
70	6750	2	24.90	SK872-132S/4	SK872-132SH/4	SK872-210TC-132S/4	SK872-210TC-132SH/4	SK872-210TC	SK872-W	70	14	6750	93	4.7	5070
67	7050	1.6	25.88	SK42-132S/4	SK42-132SH/4	SK42-210TC-132S/4	SK42-210TC-132SH/4	SK42-210TC	SK42-W	67	13	7050	89	4.5	5290
66	7170	2.1	26.49	SK873-132S/4	SK873-132SH/4	SK873-210TC-132S/4	SK873-210TC-132SH/4	SK873-210TC	SK873-W	66	13	7170	88	4.4	5380
66	7170	2.3	26.46	SK52-132S/4	SK52-132SH/4	SK52-210TC-132S/4	SK52-210TC-132SH/4	SK52-210TC	SK52-W	66	13	7170	88	4.4	5380
66	7170	3.2	26.57	SK972-132S/4	SK972-132SH/4	SK972-210TC-132S/4	SK972-210TC-132SH/4	SK972-210TC	SK972-W	66	13	7170	88	4.4	5380
64	7390	3.6	27.50	SK973-132S/4	SK973-132SH/4	SK973-210TC-132S/4	SK973-210TC-132SH/4	SK973-210TC	SK973-W	64	13	7390	85	4.3	5540
61	7750	1.8	28.34	SK872-132S/4	SK872-132SH/4	SK872-210TC-132S/4	SK872-210TC-132SH/4	SK872-210TC	SK872-W	61	12	7750	81	4.1	5820
60	7890	2.3	28.85	SK52-132S/4	SK52-132SH/4	SK52-210TC-132S/4	SK52-210TC-132SH/4	SK52-210TC	SK52-W	60	12	7890	80	4	5920
59	8020	1.1	29.29	SK42-132S/4	SK42-132SH/4	SK42-210TC-132S/4	SK42-210TC-132SH/4	SK42-210TC	SK42-W	59	12	8020	78	3.9	6020
57	8290	1.1	30.46	SK42-132S/4	SK42-132SH/4	SK42-210TC-132S/4	SK42-210TC-132SH/4	SK42-210TC	SK42-W	57	11	8290	76	3.8	6220
56	8440	2.7	30.73	SK972-132S/4	SK972-132SH/4	SK972-210TC-132S/4	SK972-210TC-132SH/4	SK972-210TC	SK972-W	56	11	8440	74	3.7	6330
56	8440	3.4	30.80	SK973-132S/4	SK973-132SH/4	SK973-210TC-132S/4	SK973-210TC-132SH/4	SK973-210TC	SK973-W	56	11	8440	74	3.7	6330
56	8440	3.5	30.91	SK63-132S/4	SK63-132SH/4	SK63-210TC-132S/4	SK63-210TC-132SH/4	SK63-210TC	SK63-W	56	11	8440	74	3.7	6330
55	8590	1.7	31.42	SK873-132S/4	SK873-132SH/4	SK873-210TC-132S/4	SK873-210TC-132SH/4	SK873-210TC	SK873-W	55	11	8590	73	3.7	6450
54	8750	1.4	32.09	SK52-132S/4	SK52-132SH/4	SK52-210TC-132S/4	SK52-210TC-132SH/4	SK52-210TC	SK52-W	54	11	8750	72	3.6	6570
54	8750	1.6	31.83	SK872-132S/4	SK872-132SH/4	SK872-210TC-132S/4	SK872-210TC-132SH/4	SK872-210TC	SK872-W	54	11	8750	72	3.6	6570
53	8920	1.2	32.56	SK52-132S/4	SK52-132SH/4	SK52-210TC-132S/4	SK52-210TC-132SH/4	SK52-210TC	SK52-W	53	11	8920	70	3.5	6690
49	9650	1.1	35.25	SK42-132S/4	SK42-132SH/4	SK42-210TC-132S/4	SK42-210TC-132SH/4	SK42-210TC	SK42-W	49	9.8	9650	65	3.3	7240
49	9650	1.5	35.32	SK873-132S/4	SK873-132SH/4	SK873-210TC-132S/4	SK873-210TC-132SH/4	SK873-210TC	SK873-W	49	9.8	9650	65	3.3	7240
49	9650	2.9	35.88	SK973-132S/4	SK973-132SH/4	SK973-210TC-132S/4	SK973-210TC-132SH/4	SK973-210TC	SK973-W	49	9.8	9650	65	3.3	7240
48	9850	1.3	36.03	SK52-132S/4	SK52-132SH/4	SK52-210TC-132S/4	SK52-210TC-132SH/4	SK52-210TC	SK52-W	48	9.6	9850	64	3.2	7390
48	9850	2.1	36.41	SK972-132S/4	SK972-132SH/4	SK972-210TC-132S/4	SK972-210TC-132SH/4	SK972-210TC	SK972-W	48	9.6	9850	64	3.2	7390
48	9850	3.2	36.11	SK63-132S/4	SK63-132SH/4	SK63-210TC-132S/4	SK63-210TC-132SH/4	SK63-210TC	SK63-W	48	9.6	9850	64	3.2	7390
47	10100	1.3	36.68	SK872-132S/4	SK872-132SH/4	SK872-210TC-132S/4	SK872-210TC-132SH/4	SK872-210TC	SK872-W	47	9.4	10100	63	3.1	7550
47	10100	1.7	36.69	SK52-132S/4	SK52-132SH/4	SK52-210TC-132S/4	SK52-210TC-132SH/4	SK52-210TC	SK52-W	47	9.4	10100	63	3.1	7550
47	10100	2.6	37.05	SK62-132S/4	SK62-132SH/4	SK62-210TC-132S/4	SK62-210TC-132SH/4	SK62-210TC	SK62-W	47	9.4	10100	63	3.1	7550
47	10100	2.8	37.09	SK973-132S/4	SK973-132SH/4	SK973-210TC-132S/4	SK973-210TC-132SH/4	SK973-210TC	SK973-W	47	9.4	10100	63	3.1	7550
45	10500	1.4	38.45	SK52-132S/4	SK52-132SH/4	SK52-210TC-132S/4	SK52-210TC-132SH/4	SK52-210TC	SK52-W	45	9	10500	60	3	7880
43	11000	1.4	39.91	SK873-132S/4	SK873-132SH/4	SK873-210TC-132S/4	SK873-210TC-132SH/4	SK873-210TC	SK873-W	43	8.6	11000	57	2.9	8250
43	11000	1.5	40.37	SK52-132S/4	SK52-132SH/4	SK52-210TC-132S/4	SK52-210TC-132SH/4	SK52-210TC	SK52-W	43	8.6	11000	57	2.9	8250



7.5 hp Gearmotors & Speed Reducers



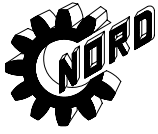
Output Speed	Output Torque [lb-in]	SF f _s	Gear Ratio i	Integral Gearmotor		Gearmotor C-Face		Reducer		5:1 Inverter Duty			20:1 Inverter Duty		
				Standard Motor	EE Motor	Standard Motor	EE Motor	Input	Solid Input	[60Hz]	[12Hz]	[80Hz] [4Hz]			
										n ₆₀	n ₁₂	T ₆₀	n ₈₀	n ₄	T ₈₀
41	11000	1.9	39.59	SK972-132S/4	SK972-132SH/4	SK972-210TC-132S/4	SK972-210TC-132SH/4	SK972-210TC	SK972-W	43	8.6	11000	57	2.9	8250
40	11500	2.5	42.27	SK973-132S/4	SK973-132SH/4	SK973-210TC-132S/4	SK973-210TC-132SH/4	SK973-210TC	SK973-W	41	8.2	11500	55	2.7	8650
40	11800	1.3	43.75	SK873-132S/4	SK873-132SH/4	SK873-210TC-132S/4	SK873-210TC-132SH/4	SK873-210TC	SK873-W	40	8	11800	53	2.7	8870
40	11800	2.4	44.15	SK973-132S/4	SK973-132SH/4	SK973-210TC-132S/4	SK973-210TC-132SH/4	SK973-210TC	SK973-W	40	8	11800	53	2.7	8870
40	11800	2.8	43.43	SK63-132S/4	SK63-132SH/4	SK63-210TC-132S/4	SK63-210TC-132SH/4	SK63-210TC	SK63-W	40	8	11800	53	2.7	8870
37	12800	1.6	46.91	SK972-132S/4	SK972-132SH/4	SK972-210TC-132S/4	SK972-210TC-132SH/4	SK972-210TC	SK972-W	37	7.4	12800	49	2.5	9590
36	13100	1.7	48.73	SK62-132S/4	SK62-132SH/4	SK62-210TC-132S/4	SK62-210TC-132SH/4	SK62-210TC	SK62-W	36	7.2	13100	48	2.4	9850
35	13500	1.1	49.43	SK873-132S/4	SK873-132SH/4	SK873-210TC-132S/4	SK873-210TC-132SH/4	SK873-210TC	SK873-W	35	7	13500	47	2.3	10100
35	13500	1.3	48.90	SK52-132S/4	SK52-132SH/4	SK52-210TC-132S/4	SK52-210TC-132SH/4	SK52-210TC	SK52-W	35	7	13500	47	2.3	10100
34	13900	2	52.01	SK973-132S/4	SK973-132SH/4	SK973-210TC-132S/4	SK973-210TC-132SH/4	SK973-210TC	SK973-W	34	6.8	13900	45	2.3	10400
34	13900	2.4	50.73	SK63-132S/4	SK63-132SH/4	SK63-210TC-132S/4	SK63-210TC-132SH/4	SK63-210TC	SK63-W	34	6.8	13900	45	2.3	10400
33	14300	3.4	52.24	SK73-132S/4	SK73-132SH/4	SK73-210TC-132S/4	SK73-210TC-132SH/4	SK73-210TC	SK73-W	33	6.6	14300	44	2.2	10700
32	14800	1.1	53.81	SK52-132S/4	SK52-132SH/4	SK52-210TC-132S/4	SK52-210TC-132SH/4	SK52-210TC	SK52-W	32	6.4	14800	43	2.1	11100
32	14800	2.2	53.82	SK63-132S/4	SK63-132SH/4	SK63-210TC-132S/4	SK63-210TC-132SH/4	SK63-210TC	SK63-W	32	6.4	14800	43	2.1	11100
31	15300	1	55.32	SK873-132S/4	SK873-132SH/4	SK873-210TC-132S/4	SK873-210TC-132SH/4	SK873-210TC	SK873-W	31	6.2	15300	41	2.1	11400
30	15800	1.8	59.18	SK973-132S/4	SK973-132SH/4	SK973-210TC-132S/4	SK973-210TC-132SH/4	SK973-210TC	SK973-W	30	6	15800	40	2	11800
29	16300	1	59.54	SK52-132S/4	SK52-132SH/4	SK52-210TC-132S/4	SK52-210TC-132SH/4	SK52-210TC	SK52-W	29	5.8	16300	39	1.9	12200
29	16300	3.1	60.46	SK73-132S/4	SK73-132SH/4	SK73-210TC-132S/4	SK73-210TC-132SH/4	SK73-210TC	SK73-W	29	5.8	16300	39	1.9	12200
28	16900	1.9	62.87	SK63-132S/4	SK63-132SH/4	SK63-210TC-132S/4	SK63-210TC-132SH/4	SK63-210TC	SK63-W	28	5.6	16900	37	1.9	12700
25	18900	1.5	67.45	SK973-132S/4	SK973-132SH/4	SK973-210TC-132S/4	SK973-210TC-132SH/4	SK973-210TC	SK973-W	25	5	18900	33	1.7	14200
23	20600	1.4	77.24	SK973-132S/4	SK973-132SH/4	SK973-210TC-132S/4	SK973-210TC-132SH/4	SK973-210TC	SK973-W	23	4.6	20600	31	1.5	15400
23	20600	2.3	74.87	SK73-132S/4	SK73-132SH/4	SK73-210TC-132S/4	SK73-210TC-132SH/4	SK73-210TC	SK73-W	23	4.6	20600	31	1.5	15400
22	21500	1.5	77.46	SK63-132S/4	SK63-132SH/4	SK63-210TC-132S/4	SK63-210TC-132SH/4	SK63-210TC	SK63-W	22	4.4	21500	29	1.5	16100
22	21500	3.7	80.62	SK83-132S/4	SK83-132SH/4	SK83-210TC-132S/4	SK83-210TC-132SH/4	SK83-210TC	SK83-W	22	4.4	21500	29	1.5	16100
20	23600	1.2	87.06	SK63-132S/4	SK63-132SH/4	SK63-210TC-132S/4	SK63-210TC-132SH/4	SK63-210TC	SK63-W	20	4	23600	27	1.3	17700
20	23600	1.2	83.00	SK973-132S/4	SK973-132SH/4	SK973-210TC-132S/4	SK973-210TC-132SH/4	SK973-210TC	SK973-W	20	4	23600	27	1.3	17700
19	24900	1.9	91.38	SK73-132S/4	SK73-132SH/4	SK73-210TC-132S/4	SK73-210TC-132SH/4	SK73-210TC	SK73-W	19	3.8	24900	25	1.3	18700
19	24900	4.1	93.34	SK93-132S/4	SK93-132SH/4	SK93-210TC-132S/4	SK93-210TC-132SH/4	SK93-210TC	SK93-W	19	3.8	24900	25	1.3	18700
18	26300	1.1	95.04	SK973-132S/4	SK973-132SH/4	SK973-210TC-132S/4	SK973-210TC-132SH/4	SK973-210TC	SK973-W	18	3.6	26300	24	1.2	19700
17	27800	1	105.37	SK973-132S/4	SK973-132SH/4	SK973-210TC-132S/4	SK973-210TC-132SH/4	SK973-210TC	SK973-W	17	3.4	27800	23	1.1	20900
17	27800	1.2	100.46	SK73-132S/4	SK73-132SH/4	SK73-210TC-132S/4	SK73-210TC-132SH/4	SK73-210TC	SK73-W	17	3.4	27800	23	1.1	20900
17	27800	2.9	104.00	SK83-132S/4	SK83-132SH/4	SK83-210TC-132S/4	SK83-210TC-132SH/4	SK83-210TC	SK83-W	17	3.4	27800	23	1.1	20900
16	29600	1.1	106.95	SK63-132S/4	SK63-132SH/4	SK63-210TC-132S/4	SK63-210TC-132SH/4	SK63-210TC	SK63-W	16	3.2	29600	21	1.1	22200
16	29600	1.1	107.89	SK63-132S/4	SK63-132SH/4	SK63-210TC-132S/4	SK63-210TC-132SH/4	SK63-210TC	SK63-W	16	3.2	29600	21	1.1	22200
16	29600	3.5	109.14	SK93-132S/4	SK93-132SH/4	SK93-210TC-132S/4	SK93-210TC-132SH/4	SK93-210TC	SK93-W	16	3.2	29600	21	1.1	22200
14	33800	1.5	124.57	SK73-132S/4	SK73-132SH/4	SK73-210TC-132S/4	SK73-210TC-132SH/4	SK73-210TC	SK73-W	14	2.8	33800	19	0.93	25300
13	36400	1.8	136.78	SK83-132S/4	SK83-132SH/4	SK83-210TC-132S/4	SK83-210TC-132SH/4	SK83-210TC	SK83-W	13	2.6	36400	17	0.86	27300
11	43000	1.8	164.70	SK83-132S/4	SK83-132SH/4	SK83-210TC-132S/4	SK83-210TC-132SH/4	SK83-210TC	SK83-W	11	2.2	43000	15	0.73	32200
10	47300	1.1	166.03	SK73-132S/4	SK73-132SH/4	SK73-210TC-132S/4	SK73-210TC-132SH/4	SK73-210TC	SK73-W	10	2	47300	13	0.67	35500



10 hp Gearmotors & Speed Reducers



Output Speed n ₂ [rpm]	Output Torque T ₂ [lb-in]	SF f _s	Gear Ratio i	Integral Gearmotor		Gearmotor C-Face		Reducer		5:1 Inverter Duty			20:1 Inverter Duty			
				Standard Motor	EE Motor	Standard Motor	EE Motor	C-Face Input	Solid Input Shaft	[60Hz]		[12Hz]		[80Hz]		[4Hz]
										n ₆₀ [rpm]	n ₁₂ [rpm]	T ₆₀ [lb-in]	n ₈₀ [rpm]	n ₄ [rpm]	T ₈₀ [lb-in]	
1304	480	2.6	1.33	SK31E-132M/4	SK31E-132MH/4	SK31E-210TC-132M/4	SK31E-210TC-132MH/4	SK31E-210TC	SK31E-W	1304	261	480	1735	87	360	
986	635	2.1	1.76	SK31E-132M/4	SK31E-132MH/4	SK31E-210TC-132M/4	SK31E-210TC-132MH/4	SK31E-210TC	SK31E-W	986	197	635	1310	66	480	
953	665	2.7	1.82	SK41E-132M/4	SK41E-132MH/4	SK41E-210TC-132M/4	SK41E-210TC-132MH/4	SK41E-210TC	SK41E-W	953	191	665	1265	63	500	
834	750	1.9	2.08	SK31E-132M/4	SK31E-132MH/4	SK31E-210TC-132M/4	SK31E-210TC-132MH/4	SK31E-210TC	SK31E-W	834	167	750	1110	55	565	
811	780	2.6	2.14	SK41E-132M/4	SK41E-132MH/4	SK41E-210TC-132M/4	SK41E-210TC-132MH/4	SK41E-210TC	SK41E-W	811	162	780	1080	54	585	
694	910	2.4	2.50	SK41E-132M/4	SK41E-132MH/4	SK41E-210TC-132M/4	SK41E-210TC-132MH/4	SK41E-210TC	SK41E-W	694	139	910	923	46	685	
672	940	1.7	2.58	SK31E-132M/4	SK31E-132MH/4	SK31E-210TC-132M/4	SK31E-210TC-132MH/4	SK31E-210TC	SK31E-W	672	134	940	894	45	705	
637	990	1.7	2.73	SK472-132M/4	SK472-132MH/4	SK472-210TC-132M/4	SK472-210TC-132MH/4	SK472-210TC	SK472-W	637	127	990	847	42	745	
637	990	2.2	2.73	SK572-132M/4	SK572-132MH/4	SK572-210TC-132M/4	SK572-210TC-132MH/4	SK572-210TC	SK572-W	637	127	990	847	42	745	
598	1050	2.4	2.91	SK672-132M/4	SK672-132MH/4	SK672-210TC-132M/4	SK672-210TC-132MH/4	SK672-210TC	SK672-W	598	120	1050	795	40	790	
586	1080	2.5	2.96	SK32-132M/4	SK32-132MH/4	SK32-210TC-132M/4	SK32-210TC-132MH/4	SK32-210TC	SK32-W	586	117	1080	779	39	810	
563	1120	2.2	3.08	SK41E-132M/4	SK41E-132MH/4	SK41E-210TC-132M/4	SK41E-210TC-132MH/4	SK41E-210TC	SK41E-W	563	113	1120	749	37	840	
548	1150	1.5	3.17	SK472-132M/4	SK472-132MH/4	SK472-210TC-132M/4	SK472-210TC-132MH/4	SK472-210TC	SK472-W	548	110	1150	729	36	860	
548	1150	1.9	3.17	SK572-132M/4	SK572-132MH/4	SK572-210TC-132M/4	SK572-210TC-132MH/4	SK572-210TC	SK572-W	548	110	1150	729	36	860	
507	1250	1	3.42	SK41E-132M/4	SK41E-132MH/4	SK41E-210TC-132M/4	SK41E-210TC-132MH/4	SK41E-210TC	SK41E-W	507	101	1250	674	34	940	
504	1250	2.4	3.45	SK672-132M/4	SK672-132MH/4	SK672-210TC-132M/4	SK672-210TC-132MH/4	SK672-210TC	SK672-W	504	101	1250	670	34	940	
479	1320	1.4	3.63	SK472-132M/4	SK472-132MH/4	SK472-210TC-132M/4	SK472-210TC-132MH/4	SK472-210TC	SK472-W	479	96	1320	637	32	990	
479	1320	2.1	3.63	SK572-132M/4	SK572-132MH/4	SK572-210TC-132M/4	SK572-210TC-132MH/4	SK572-210TC	SK572-W	479	96	1320	637	32	990	
463	1360	2.4	3.75	SK32-132M/4	SK32-132MH/4	SK32-210TC-132M/4	SK32-210TC-132MH/4	SK32-210TC	SK32-W	463	93	1360	616	31	1020	
443	1430	2.4	3.93	SK672-132M/4	SK672-132MH/4	SK672-210TC-132M/4	SK672-210TC-132MH/4	SK672-210TC	SK672-W	443	89	1430	589	29	1070	
414	1520	2.3	4.20	SK672-132M/4	SK672-132MH/4	SK672-210TC-132M/4	SK672-210TC-132MH/4	SK672-210TC	SK672-W	414	83	1520	551	28	1140	
412	1530	1.2	4.23	SK472-132M/4	SK472-132MH/4	SK472-210TC-132M/4	SK472-210TC-132MH/4	SK472-210TC	SK472-W	412	82	1530	548	27	1150	
412	1530	1.8	4.23	SK572-132M/4	SK572-132MH/4	SK572-210TC-132M/4	SK572-210TC-132MH/4	SK572-210TC	SK572-W	412	82	1530	548	27	1150	
392	1610	2.2	4.43	SK32-132M/4	SK32-132MH/4	SK32-210TC-132M/4	SK32-210TC-132MH/4	SK32-210TC	SK32-W	392	78	1610	521	26	1210	
362	1740	2.2	4.80	SK672-132M/4	SK672-132MH/4	SK672-210TC-132M/4	SK672-210TC-132MH/4	SK672-210TC	SK672-W	362	72	1740	481	24	1310	
361	1740	1.1	4.82	SK472-132M/4	SK472-132MH/4	SK472-210TC-132M/4	SK472-210TC-132MH/4	SK472-210TC	SK472-W	361	72	1740	480	24	1310	
361	1740	1.6	4.82	SK572-132M/4	SK572-132MH/4	SK572-210TC-132M/4	SK572-210TC-132MH/4	SK572-210TC	SK572-W	361	72	1740	480	24	1310	
329	1920	2.5	5.28	SK32-132M/4	SK32-132MH/4	SK32-210TC-132M/4	SK32-210TC-132MH/4	SK32-210TC	SK32-W	329	66	1920	438	22	1440	
317	1990	2.1	5.49	SK672-132M/4	SK672-132MH/4	SK672-210TC-132M/4	SK672-210TC-132MH/4	SK672-210TC	SK672-W	317	63	1990	422	21	1490	
315	2000	2	5.50	SK32-132M/4	SK32-132MH/4	SK32-210TC-132M/4	SK32-210TC-132MH/4	SK32-210TC	SK32-W	315	63	2000	419	21	1500	
310	2040	1	5.61	SK472-132M/4	SK472-132MH/4	SK472-210TC-132M/4	SK472-210TC-132MH/4	SK472-210TC	SK472-W	310	62	2040	412	21	1530	
310	2040	1.5	5.61	SK572-132M/4	SK572-132MH/4	SK572-210TC-132M/4	SK572-210TC-132MH/4	SK572-210TC	SK572-W	310	62	2040	412	21	1530	
304	2070	2.4	5.70	SK32-132M/4	SK32-132MH/4	SK32-210TC-132M/4	SK32-210TC-132MH/4	SK32-210TC	SK32-W	304	61	2070	404	20	1550	
302	2090	3	5.75	SK42-132M/4	SK42-132MH/4	SK42-210TC-132M/4	SK42-210TC-132MH/4	SK42-210TC	SK42-W	302	60	2090	402	20	1570	
280	2250	2.7	6.19	SK42-132M/4	SK42-132MH/4	SK42-210TC-132M/4	SK42-210TC-132MH/4	SK42-210TC	SK42-W	280	56	2250	372	19	1690	
278	2270	2	6.26	SK672-132M/4	SK672-132MH/4	SK672-210TC-132M/4	SK672-210TC-132MH/4	SK672-210TC	SK672-W	278	56	2270	370	18	1700	
276	2280	1.3	6.30	SK572-132M/4	SK572-132MH/4	SK572-210TC-132M/4	SK572-210TC-132MH/4	SK572-210TC	SK572-W	276	55	2280	367	18	1710	
275	2290	2.5	6.31	SK32-132M/4	SK32-132MH/4	SK32-210TC-132M/4	SK32-210TC-132MH/4	SK32-210TC	SK32-W	275	55	2290	366	18	1720	
261	2420	2.9	6.65	SK42-132M/4	SK42-132MH/4	SK42-210TC-132M/4	SK42-210TC-132MH/4	SK42-210TC	SK42-W	261	52	2420	347	17	1810	
257	2450	2.2	6.74	SK32-132M/4	SK32-132MH/4	SK32-210TC-132M/4	SK32-210TC-132MH/4	SK32-210TC	SK32-W	257	51	2450	342	17	1840	
256	2460	2.1	6.83	SK772-132M/4	SK772-132MH/4	SK772-210TC-132M/4	SK772-210TC-132MH/4	SK772-210TC	SK772-W	256	51	2460	340	17	1850	
254	2480	1.4	6.82	SK51-132M/4	SK51-132MH/4	SK51-210TC-132M/4	SK51-210TC-132MH/4	SK51-210TC	SK51-W	254	51	2480	338	17	1860	
245	2580	2.1	7.14	SK772-132M/4	SK772-132MH/4	SK772-210TC-132M/4	SK772-210TC-132MH/4	SK772-210TC	SK772-W	245	49	2580	326	16	1930	
241	2620	1.2	7.23	SK572-132M/4	SK572-132MH/4	SK572-210TC-132M/4	SK572-210TC-132MH/4	SK572-210TC	SK572-W	241	48	2620	321	16	1970	
238	2650	2.6	7.28	SK42-132M/4	SK42-132MH/4	SK42-210TC-132M/4	SK42-210TC-132MH/4	SK42-210TC	SK42-W	238	48	2650	317	16	1980	
236	2670	1.7	7.37	SK672-132M/4	SK672-132MH/4	SK672-210TC-132M/4	SK672-210TC-132MH/4	SK672-210TC	SK672-W	236	47	2670	314	16	2010	
232	2720	2.8	7.58	SK872-132M/4	SK872-132MH/4	SK872-210TC-132M/4	SK872-210TC-132MH/4	SK872-210TC	SK872-W	232	46	2720	309	15	2040	
220	2870	1.7	7.93	SK672-132M/4	SK672-132MH/4	SK672-210TC-132M/4	SK672-210TC-132MH/4	SK672-210TC	SK672-W	220	44	2870	293	15	2150	
220	2870	2	7.90	SK32-132M/4	SK32-132MH/4	SK32-210TC-132M/4	SK32-210TC-132MH/4	SK32-210TC	SK32-W	220	44	2870	293	15	2150	



10 hp Gearmotors & Speed Reducers



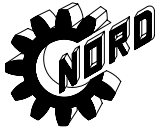
Output Speed n ₂ [rpm]	Output Torque T ₂ [lb-in]	SF f _s	Gear Ratio i	Integral Gearmotor		Gearmotor C-Face		Reducer		5:1 Inverter Duty			20:1 Inverter Duty		
				Standard Motor	EE Motor	Standard Motor	EE Motor	C-Face Input	Solid Input	60Hz	12Hz	80Hz		4Hz	
												n ₆₀ [rpm]	n ₁₂ [rpm]	T ₆₀ [lb-in]	n ₈₀ [rpm]
216	2920	1.9	8.10	SK772-132M/4	SK772-132MH/4	SK772-210TC-132M/4	SK772-210TC-132MH/4	SK772-210TC	SK772-W	216	43	2920	287	14	2190
209	3020	1.5	8.31	SK672-132M/4	SK672-132MH/4	SK672-210TC-132M/4	SK672-210TC-132MH/4	SK672-210TC	SK672-W	209	42	3020	278	14	2260
208	3040	1.1	8.34	SK572-132M/4	SK572-132MH/4	SK572-210TC-132M/4	SK572-210TC-132MH/4	SK572-210TC	SK572-W	208	42	3040	277	14	2280
208	3040	1.7	8.36	SK32-132M/4	SK32-132MH/4	SK32-210TC-132M/4	SK32-210TC-132MH/4	SK32-210TC	SK32-W	208	42	3040	277	14	2280
204	3090	2.4	8.50	SK42-132M/4	SK42-132MH/4	SK42-210TC-132M/4	SK42-210TC-132MH/4	SK42-210TC	SK42-W	204	41	3090	271	14	2320
204	3090	2.6	8.58	SK872-132M/4	SK872-132MH/4	SK872-210TC-132M/4	SK872-210TC-132MH/4	SK872-210TC	SK872-W	204	41	3090	271	14	2320
192	3280	1.7	9.11	SK772-132M/4	SK772-132MH/4	SK772-210TC-132M/4	SK772-210TC-132MH/4	SK772-210TC	SK772-W	192	38	3280	255	13	2460
188	3350	1	9.22	SK572-132M/4	SK572-132MH/4	SK572-210TC-132M/4	SK572-210TC-132MH/4	SK572-210TC	SK572-W	188	38	3350	250	13	2520
186	3390	1.4	9.33	SK672-132M/4	SK672-132MH/4	SK672-210TC-132M/4	SK672-210TC-132MH/4	SK672-210TC	SK672-W	186	37	3390	247	12	2540
181	3490	2.6	9.64	SK872-132M/4	SK872-132MH/4	SK872-210TC-132M/4	SK872-210TC-132MH/4	SK872-210TC	SK872-W	181	36	3490	241	12	2620
177	3570	1.6	9.80	SK32-132M/4	SK32-132MH/4	SK32-210TC-132M/4	SK32-210TC-132MH/4	SK32-210TC	SK32-W	177	35	3570	235	12	2680
170	3710	1.6	10.23	SK772-132M/4	SK772-132MH/4	SK772-210TC-132M/4	SK772-210TC-132MH/4	SK772-210TC	SK772-W	170	34	3710	226	11	2780
170	3710	2.4	10.20	SK42-132M/4	SK42-132MH/4	SK42-210TC-132M/4	SK42-210TC-132MH/4	SK42-210TC	SK42-W	170	34	3710	226	11	2780
169	3740	2.4	10.34	SK872-132M/4	SK872-132MH/4	SK872-210TC-132M/4	SK872-210TC-132MH/4	SK872-210TC	SK872-W	169	34	3740	225	11	2800
166	3800	1.3	10.52	SK672-132M/4	SK672-132MH/4	SK672-210TC-132M/4	SK672-210TC-132MH/4	SK672-210TC	SK672-W	166	33	3800	221	11	2850
164	3840	2.9	10.58	SK52-132M/4	SK52-132MH/4	SK52-210TC-132M/4	SK52-210TC-132MH/4	SK52-210TC	SK52-W	164	33	3840	218	11	2880
151	4180	2.4	11.61	SK872-132M/4	SK872-132MH/4	SK872-210TC-132M/4	SK872-210TC-132MH/4	SK872-210TC	SK872-W	151	30	4180	201	10	3130
148	4260	1.5	11.71	SK32-132M/4	SK32-132MH/4	SK32-210TC-132M/4	SK32-210TC-132MH/4	SK32-210TC	SK32-W	148	30	4260	197	9.8	3190
144	4380	1.1	12.09	SK672-132M/4	SK672-132MH/4	SK672-210TC-132M/4	SK672-210TC-132MH/4	SK672-210TC	SK672-W	144	29	4380	192	9.6	3290
144	4380	1.4	12.10	SK772-132M/4	SK772-132MH/4	SK772-210TC-132M/4	SK772-210TC-132MH/4	SK772-210TC	SK772-W	144	29	4380	192	9.6	3290
142	4440	3	12.20	SK52-132M/4	SK52-132MH/4	SK52-210TC-132M/4	SK52-210TC-132MH/4	SK52-210TC	SK52-W	142	28	4440	189	9.4	3330
141	4470	2.4	12.28	SK42-132M/4	SK42-132MH/4	SK42-210TC-132M/4	SK42-210TC-132MH/4	SK42-210TC	SK42-W	141	28	4470	188	9.4	3350
132	4780	2.3	13.23	SK872-132M/4	SK872-132MH/4	SK872-210TC-132M/4	SK872-210TC-132MH/4	SK872-210TC	SK872-W	132	26	4780	176	8.8	3590
129	4890	2.9	13.45	SK52-132M/4	SK52-132MH/4	SK52-210TC-132M/4	SK52-210TC-132MH/4	SK52-210TC	SK52-W	129	26	4890	172	8.6	3660
128	4930	1.3	13.54	SK772-132M/4	SK772-132MH/4	SK772-210TC-132M/4	SK772-210TC-132MH/4	SK772-210TC	SK772-W	128	26	4930	170	8.5	3700
124	5090	2.6	14.00	SK52-132M/4	SK52-132MH/4	SK52-210TC-132M/4	SK52-210TC-132MH/4	SK52-210TC	SK52-W	124	25	5090	165	8.2	3820
121	5210	2	14.38	SK42-132M/4	SK42-132MH/4	SK42-210TC-132M/4	SK42-210TC-132MH/4	SK42-210TC	SK42-W	121	24	5210	161	8	3910
120	5260	2.2	14.56	SK872-132M/4	SK872-132MH/4	SK872-210TC-132M/4	SK872-210TC-132MH/4	SK872-210TC	SK872-W	120	24	5260	160	8	3940
119	5300	1.1	14.55	SK32-132M/4	SK32-132MH/4	SK32-210TC-132M/4	SK32-210TC-132MH/4	SK32-210TC	SK32-W	119	24	5300	158	7.9	3980
115	5490	2	15.12	SK42-132M/4	SK42-132MH/4	SK42-210TC-132M/4	SK42-210TC-132MH/4	SK42-210TC	SK42-W	115	23	5490	153	7.6	4120
114	5530	2.1	15.25	SK872-132M/4	SK872-132MH/4	SK872-210TC-132M/4	SK872-210TC-132MH/4	SK872-210TC	SK872-W	114	23	5530	152	7.6	4150
112	5630	1.2	15.58	SK773-132M/4	SK773-132MH/4	SK773-210TC-132M/4	SK773-210TC-132MH/4	SK773-210TC	SK773-W	112	22	5630	149	7.4	4220
109	5790	1.1	15.89	SK772-132M/4	SK772-132MH/4	SK772-210TC-132M/4	SK772-210TC-132MH/4	SK772-210TC	SK772-W	109	22	5790	145	7.2	4340
107	5890	1	16.25	SK32-132M/4	SK32-132MH/4	SK32-210TC-132M/4	SK32-210TC-132MH/4	SK32-210TC	SK32-W	107	21	5890	142	7.1	4420
104	6060	2	16.78	SK872-132M/4	SK872-132MH/4	SK872-210TC-132M/4	SK872-210TC-132MH/4	SK872-210TC	SK872-W	104	21	6060	138	6.9	4550
104	6060	2.2	16.69	SK873-132M/4	SK873-132MH/4	SK873-210TC-132M/4	SK873-210TC-132MH/4	SK873-210TC	SK873-W	104	21	6060	138	6.9	4550
100	6300	1.1	17.50	SK773-132M/4	SK773-132MH/4	SK773-210TC-132M/4	SK773-210TC-132MH/4	SK773-210TC	SK773-W	100	20	6300	133	6.7	4730
100	6300	2.7	17.37	SK63-132M/4	SK63-132MH/4	SK63-210TC-132M/4	SK63-210TC-132MH/4	SK63-210TC	SK63-W	100	20	6300	133	6.7	4730
98	6430	1.6	17.71	SK42-132M/4	SK42-132MH/4	SK42-210TC-132M/4	SK42-210TC-132MH/4	SK42-210TC	SK42-W	98	20	6430	130	6.5	4830
98	6430	2.6	17.77	SK972-132M/4	SK972-132MH/4	SK972-210TC-132M/4	SK972-210TC-132MH/4	SK972-210TC	SK972-W	98	20	6430	130	6.5	4830
97	6500	1.4	17.92	SK42-132M/4	SK42-132MH/4	SK42-210TC-132M/4	SK42-210TC-132MH/4	SK42-210TC	SK42-W	97	19	6500	129	6.5	4870
97	6500	2.6	17.81	SK52-132M/4	SK52-132MH/4	SK52-210TC-132M/4	SK52-210TC-132MH/4	SK52-210TC	SK52-W	97	19	6500	129	6.5	4870
96	6570	2.8	18.14	SK973-132M/4	SK973-132MH/4	SK973-210TC-132M/4	SK973-210TC-132MH/4	SK973-210TC	SK973-W	96	19	6570	128	6.4	4930
95	6640	1.9	18.32	SK872-132M/4	SK872-132MH/4	SK872-210TC-132M/4	SK872-210TC-132MH/4	SK872-210TC	SK872-W	95	19	6640	126	6.3	4980
94	6710	1	18.53	SK772-132M/4	SK772-132MH/4	SK772-210TC-132M/4	SK772-210TC-132MH/4	SK772-210TC	SK772-W	94	19	6710	125	6.3	5030
92	6850	1.9	18.77	SK872-132M/4	SK872-132MH/4	SK872-210TC-132M/4	SK872-210TC-132MH/4	SK872-210TC	SK872-W	92	18	6850	122	6.1	5140
89	7080	1	19.61	SK773-132M/4	SK773-132MH/4	SK773-210TC-132M/4	SK773-210TC-132MH/4	SK773-210TC	SK773-W	89	18	7080	118	5.9	5310
89	7080	2	19.72	SK873-132M/4	SK873-132MH/4	SK873-210TC-132M/4	SK873-210TC-132MH/4	SK873-210TC	SK873-W	89	18	7080	118	5.9	5310
89	7080	2.4	19.60	SK52-132M/4	SK52-132MH/4	SK52-210TC-132M/4	SK52-210TC-132MH/4	SK52-210TC	SK52-W	89	18	7080	118	5.9	5310



10 hp Gearmotors & Speed Reducers



Output Speed	Output Torque	SF	Gear Ratio	Integral Gearmotor		Gearmotor C-Face		Reducer		5:1 Inverter Duty			20:1 Inverter Duty			
				Standard Motor	EE Motor	Standard Motor	EE Motor	Input	Solid Input	[60Hz]		[12Hz]		[80Hz]		[4Hz]
										n ₂	T ₂	f _B	i	n ₆₀	n ₁₂	T ₆₀
[rpm]	[lb-in]									[rpm]	[rpm]	[lb-in]	[rpm]	[rpm]	[lb-in]	
85	7420	2.5	20.37	SK972-132M/4	SK972-132MH/4	SK972-210TC-132M/4	SK972-210TC-132MH/4	SK972-210TC	SK972-W	85	17	7420	113	5.7	5560	
85	7420	2.7	20.54	SK973-132M/4	SK973-132MH/4	SK973-210TC-132M/4	SK973-210TC-132MH/4	SK973-210TC	SK973-W	85	17	7420	113	5.7	5560	
84	7510	2.8	20.77	SK63-132M/4	SK63-132MH/4	SK63-210TC-132M/4	SK63-210TC-132MH/4	SK63-210TC	SK63-W	84	17	7510	112	5.6	5630	
83	7590	1	21.02	SK772-132M/4	SK772-132MH/4	SK772-210TC-132M/4	SK772-210TC-132MH/4	SK772-210TC	SK772-W	83	17	7590	110	5.5	5700	
82	7690	2.8	21.37	SK973-132M/4	SK973-132MH/4	SK973-210TC-132M/4	SK973-210TC-132MH/4	SK973-210TC	SK973-W	82	16	7690	109	5.5	5770	
81	7790	1.3	21.50	SK42-132M/4	SK42-132MH/4	SK42-210TC-132M/4	SK42-210TC-132MH/4	SK42-210TC	SK42-W	81	16	7790	108	5.4	5840	
80	7890	2.1	21.68	SK52-132M/4	SK52-132MH/4	SK52-210TC-132M/4	SK52-210TC-132MH/4	SK52-210TC	SK52-W	80	16	7890	106	5.3	5920	
79	7980	1.2	21.87	SK42-132M/4	SK42-132MH/4	SK42-210TC-132M/4	SK42-210TC-132MH/4	SK42-210TC	SK42-W	79	16	7980	105	5.3	5990	
79	7980	1.7	22.16	SK872-132M/4	SK872-132MH/4	SK872-210TC-132M/4	SK872-210TC-132MH/4	SK872-210TC	SK872-W	79	16	7980	105	5.3	5990	
79	7980	2.7	21.98	SK63-132M/4	SK63-132MH/4	SK63-210TC-132M/4	SK63-210TC-132MH/4	SK63-210TC	SK63-W	79	16	7980	105	5.3	5990	
78	8080	2.7	22.53	SK972-132M/4	SK972-132MH/4	SK972-210TC-132M/4	SK972-210TC-132MH/4	SK972-210TC	SK972-W	78	16	8080	104	5.2	6060	
77	8190	2.4	22.62	SK972-132M/4	SK972-132MH/4	SK972-210TC-132M/4	SK972-210TC-132MH/4	SK972-210TC	SK972-W	77	15	8190	102	5.1	6140	
74	8520	1.7	23.38	SK873-132M/4	SK873-132MH/4	SK873-210TC-132M/4	SK873-210TC-132MH/4	SK873-210TC	SK873-W	74	15	8520	98	4.9	6390	
73	8640	2	23.92	SK52-132M/4	SK52-132MH/4	SK52-210TC-132M/4	SK52-210TC-132MH/4	SK52-210TC	SK52-W	73	15	8640	97	4.9	6480	
72	8750	1.7	24.07	SK52-132M/4	SK52-132MH/4	SK52-210TC-132M/4	SK52-210TC-132MH/4	SK52-210TC	SK52-W	72	14	8750	96	4.8	6570	
72	8750	2.7	24.20	SK973-132M/4	SK973-132MH/4	SK973-210TC-132M/4	SK973-210TC-132MH/4	SK973-210TC	SK973-W	72	14	8750	96	4.8	6570	
70	9010	1.5	24.90	SK872-132M/4	SK872-132MH/4	SK872-210TC-132M/4	SK872-210TC-132MH/4	SK872-210TC	SK872-W	70	14	9010	93	4.7	6760	
67	9410	1.2	25.88	SK42-132M/4	SK42-132MH/4	SK42-210TC-132M/4	SK42-210TC-132MH/4	SK42-210TC	SK42-W	67	13	9410	89	4.5	7060	
66	9550	1.6	26.49	SK873-132M/4	SK873-132MH/4	SK873-210TC-132M/4	SK873-210TC-132MH/4	SK873-210TC	SK873-W	66	13	9550	88	4.4	7160	
66	9550	1.8	26.46	SK52-132M/4	SK52-132MH/4	SK52-210TC-132M/4	SK52-210TC-132MH/4	SK52-210TC	SK52-W	66	13	9550	88	4.4	7160	
66	9550	2.4	26.57	SK972-132M/4	SK972-132MH/4	SK972-210TC-132M/4	SK972-210TC-132MH/4	SK972-210TC	SK972-W	66	13	9550	88	4.4	7160	
66	9550	2.7	26.28	SK63-132M/4	SK63-132MH/4	SK63-210TC-132M/4	SK63-210TC-132MH/4	SK63-210TC	SK63-W	66	13	9550	88	4.4	7160	
64	9850	2.7	27.50	SK973-132M/4	SK973-132MH/4	SK973-210TC-132M/4	SK973-210TC-132MH/4	SK973-210TC	SK973-W	64	13	9850	85	4.3	7390	
61	10300	1.3	28.34	SK872-132M/4	SK872-132MH/4	SK872-210TC-132M/4	SK872-210TC-132MH/4	SK872-210TC	SK872-W	61	12	10300	81	4.1	7750	
60	10500	1.7	28.85	SK52-132M/4	SK52-132MH/4	SK52-210TC-132M/4	SK52-210TC-132MH/4	SK52-210TC	SK52-W	60	12	10500	80	4	7880	
56	11300	2	30.73	SK972-132M/4	SK972-132MH/4	SK972-210TC-132M/4	SK972-210TC-132MH/4	SK972-210TC	SK972-W	56	11	11300	74	3.7	8440	
56	11300	2.5	30.80	SK973-132M/4	SK973-132MH/4	SK973-210TC-132M/4	SK973-210TC-132MH/4	SK973-210TC	SK973-W	56	11	11300	74	3.7	8440	
56	11300	2.6	30.91	SK63-132M/4	SK63-132MH/4	SK63-210TC-132M/4	SK63-210TC-132MH/4	SK63-210TC	SK63-W	56	11	11300	74	3.7	8440	
55	11500	1.3	31.42	SK873-132M/4	SK873-132MH/4	SK873-210TC-132M/4	SK873-210TC-132MH/4	SK873-210TC	SK873-W	55	11	11500	73	3.7	8600	
54	11700	1.2	31.83	SK872-132M/4	SK872-132MH/4	SK872-210TC-132M/4	SK872-210TC-132MH/4	SK872-210TC	SK872-W	54	11	11700	72	3.6	8760	
52	12100	3.2	33.24	SK73-132M/4	SK73-132MH/4	SK73-210TC-132M/4	SK73-210TC-132MH/4	SK73-210TC	SK73-W	52	10	12100	69	3.5	9100	
49	12900	1.2	35.32	SK873-132M/4	SK873-132MH/4	SK873-210TC-132M/4	SK873-210TC-132MH/4	SK873-210TC	SK873-W	49	9.8	12900	65	3.3	9650	
49	12900	2.2	35.88	SK973-132M/4	SK973-132MH/4	SK973-210TC-132M/4	SK973-210TC-132MH/4	SK973-210TC	SK973-W	49	9.8	12900	65	3.3	9650	
48	13100	1.5	36.41	SK972-132M/4	SK972-132MH/4	SK972-210TC-132M/4	SK972-210TC-132MH/4	SK972-210TC	SK972-W	48	9.6	13100	64	3.2	9850	
48	13100	2.4	36.11	SK63-132M/4	SK63-132MH/4	SK63-210TC-132M/4	SK63-210TC-132MH/4	SK63-210TC	SK63-W	48	9.6	13100	64	3.2	9850	
47	13400	1	36.68	SK872-132M/4	SK872-132MH/4	SK872-210TC-132M/4	SK872-210TC-132MH/4	SK872-210TC	SK872-W	47	9.4	13400	63	3.1	10100	
47	13400	1.3	36.69	SK52-132M/4	SK52-132MH/4	SK52-210TC-132M/4	SK52-210TC-132MH/4	SK52-210TC	SK52-W	47	9.4	13400	63	3.1	10100	
47	13400	2	37.05	SK62-132M/4	SK62-132MH/4	SK62-210TC-132M/4	SK62-210TC-132MH/4	SK62-210TC	SK62-W	47	9.4	13400	63	3.1	10100	
47	13400	2.1	37.09	SK973-132M/4	SK973-132MH/4	SK973-210TC-132M/4	SK973-210TC-132MH/4	SK973-210TC	SK973-W	47	9.4	13400	63	3.1	10100	
46	13700	3	37.63	SK73-132M/4	SK73-132MH/4	SK73-210TC-132M/4	SK73-210TC-132MH/4	SK73-210TC	SK73-W	46	9.2	13700	61	3.1	10300	
43	14700	1	39.91	SK873-132M/4	SK873-132MH/4	SK873-210TC-132M/4	SK873-210TC-132MH/4	SK873-210TC	SK873-W	43	8.6	14700	57	2.9	11000	
43	14700	1.2	40.37	SK52-132M/4	SK52-132MH/4	SK52-210TC-132M/4	SK52-210TC-132MH/4	SK52-210TC	SK52-W	43	8.6	14700	57	2.9	11000	
43	14700	1.4	39.59	SK972-132M/4	SK972-132MH/4	SK972-210TC-132M/4	SK972-210TC-132MH/4	SK972-210TC	SK972-W	43	8.6	14700	57	2.9	11000	
41	15400	1.8	42.27	SK973-132M/4	SK973-132MH/4	SK973-210TC-132M/4	SK973-210TC-132MH/4	SK973-210TC	SK973-W	41	8.2	15400	55	2.7	11500	
40	15800	1.8	44.15	SK973-132M/4	SK973-132MH/4	SK973-210TC-132M/4	SK973-210TC-132MH/4	SK973-210TC	SK973-W	40	8	15800	53	2.7	11800	
40	15800	2.1	43.43	SK63-132M/4	SK63-132MH/4	SK63-210TC-132M/4	SK63-210TC-132MH/4	SK63-210TC	SK63-W	40	8	15800	53	2.7	11800	
38	16600	2.9	45.66	SK73-132M/4	SK73-132MH/4	SK73-210TC-132M/4	SK73-210TC-132MH/4	SK73-210TC	SK73-W	38	7.6	16600	51	2.5	12400	
37	17000	1.2	46.91	SK972-132M/4	SK972-132MH/4	SK972-210TC-132M/4	SK972-210TC-132MH/4	SK972-210TC	SK972-W	37	7.4	17000	49	2.5	12800	
34	18500	1.5	52.01	SK973-132M/4	SK973-132MH/4	SK973-210TC-132M/4	SK973-210TC-132MH/4	SK973-210TC	SK973-W	34	6.8	18500	45	2.3	13900	



10 hp Gearmotors & Speed Reducers



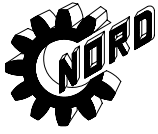
Output Speed	Output Torque [lb-in]	SF f _B	Gear Ratio i	Integral Gearmotor		Gearmotor C-Face		Reducer		5:1 Inverter Duty			20:1 Inverter Duty		
				Standard Motor	EE Motor	Standard Motor	EE Motor	Input	Solid Input	n ₆₀	n ₁₂	T ₆₀	n ₈₀	n ₄	T ₈₀
									Shaft	[rpm]	[rpm]	[lb-in]	[rpm]	[rpm]	[lb-in]
33	18500	1.8	50.73	SK63-132M/4	SK63-132MH/4	SK63-210TC-132M/4	SK63-210TC-132MH/4	SK63-210TC	SK63-W	34	6.8	18500	45	2.3	13900
32	19100	2.6	52.24	SK73-132M/4	SK73-132MH/4	SK73-210TC-132M/4	SK73-210TC-132MH/4	SK73-210TC	SK73-W	33	6.6	19100	44	2.2	14300
30	19700	1.7	53.82	SK63-132M/4	SK63-132MH/4	SK63-210TC-132M/4	SK63-210TC-132MH/4	SK63-210TC	SK63-W	32	6.4	19700	43	2.1	14800
29	21000	1.3	59.18	SK973-132M/4	SK973-132MH/4	SK973-210TC-132M/4	SK973-210TC-132MH/4	SK973-210TC	SK973-W	30	6	21000	40	2	15800
28	21700	2.3	60.46	SK73-132M/4	SK73-132MH/4	SK73-210TC-132M/4	SK73-210TC-132MH/4	SK73-210TC	SK73-W	29	5.8	21700	39	1.9	16300
28	22500	1.4	62.87	SK63-132M/4	SK63-132MH/4	SK63-210TC-132M/4	SK63-210TC-132MH/4	SK63-210TC	SK63-W	28	5.6	22500	37	1.9	16900
25	22500	3.1	61.89	SK83-132M/4	SK83-132MH/4	SK83-210TC-132M/4	SK83-210TC-132MH/4	SK83-210TC	SK83-W	28	5.6	22500	37	1.9	16900
25	25200	1.1	67.45	SK973-132M/4	SK973-132MH/4	SK973-210TC-132M/4	SK973-210TC-132MH/4	SK973-210TC	SK973-W	25	5	25200	33	1.7	18900
25	25200	3	70.24	SK83-132M/4	SK83-132MH/4	SK83-210TC-132M/4	SK83-210TC-132MH/4	SK83-210TC	SK83-W	25	5	25200	33	1.7	18900
23	27400	1	77.24	SK973-132M/4	SK973-132MH/4	SK973-210TC-132M/4	SK973-210TC-132MH/4	SK973-210TC	SK973-W	23	4.6	27400	31	1.5	20600
23	27400	1.7	74.87	SK73-132M/4	SK73-132MH/4	SK73-210TC-132M/4	SK73-210TC-132MH/4	SK73-210TC	SK73-W	23	4.6	27400	31	1.5	20600
22	28700	1.1	77.46	SK63-132M/4	SK63-132MH/4	SK63-210TC-132M/4	SK63-210TC-132MH/4	SK63-210TC	SK63-W	22	4.4	28700	29	1.5	21500
22	28700	2.8	80.62	SK83-132M/4	SK83-132MH/4	SK83-210TC-132M/4	SK83-210TC-132MH/4	SK83-210TC	SK83-W	22	4.4	28700	29	1.5	21500
19	33200	1.4	91.38	SK73-132M/4	SK73-132MH/4	SK73-210TC-132M/4	SK73-210TC-132MH/4	SK73-210TC	SK73-W	19	3.8	33200	25	1.3	24900
19	33200	3.1	93.34	SK93-132M/4	SK93-132MH/4	SK93-210TC-132M/4	SK93-210TC-132MH/4	SK93-210TC	SK93-W	19	3.8	33200	25	1.3	24900
17	37100	2.2	104.00	SK83-132M/4	SK83-132MH/4	SK83-210TC-132M/4	SK83-210TC-132MH/4	SK83-210TC	SK83-W	17	3.4	37100	23	1.1	27800
16	39400	2.6	109.14	SK93-132M/4	SK93-132MH/4	SK93-210TC-132M/4	SK93-210TC-132MH/4	SK93-210TC	SK93-W	16	3.2	39400	21	1.1	29600
14	45000	1.1	124.57	SK73-132M/4	SK73-132MH/4	SK73-210TC-132M/4	SK73-210TC-132MH/4	SK73-210TC	SK73-W	14	2.8	45000	19	0.93	33800
11	57300	1.4	164.70	SK83-132M/4	SK83-132MH/4	SK83-210TC-132M/4	SK83-210TC-132MH/4	SK83-210TC	SK83-W	11	2.2	57300	15	0.73	43000



15 hp Gearmotors & Speed Reducers



Output Speed n_2 [rpm]	Output Torque T_2 [lb-in]	SF f_B	Gear Ratio i	Integral Gearmotor		Gearmotor C-Face		Reducer		5:1 Inverter Duty			20:1 Inverter Duty		
				Standard Motor	EE Motor	Standard Motor	EE Motor	C-Face Input	Solid Input Shaft	[60Hz]	[12Hz]		[80Hz]	[4Hz]	
										n_{60} [rpm]	n_{12} [rpm]	T_{60} [lb-in]	n_{80} [rpm]	n_4 [rpm]	T_{80} [lb-in]
1255	755	2.1	1.41	SK41E-160M/4	SK41E-160MH/4	Consult NORD	Consult NORD	SK41E-250TC	SK41E-W	1255	251	755	1670	83	565
1180	800	2.1	1.50	SK41E-160M/4	SK41E-160MH/4	Consult NORD	Consult NORD	SK41E-250TC	SK41E-W	1180	236	800	1570	78	600
1086	870	2	1.63	SK41E-160M/4	SK41E-160MH/4	Consult NORD	Consult NORD	SK41E-250TC	SK41E-W	1086	217	870	1445	72	655
967	980	2	1.82	SK41E-160M/4	SK41E-160MH/4	Consult NORD	Consult NORD	SK41E-250TC	SK41E-W	967	193	980	1285	64	735
854	1110	3.1	2.06	SK51E-160M/4	SK51E-160MH/4	Consult NORD	Consult NORD	SK51E-250TC	SK51E-W	854	171	1110	1135	57	830
822	1150	1.9	2.14	SK41E-160M/4	SK41E-160MH/4	Consult NORD	Consult NORD	SK41E-250TC	SK41E-W	822	164	1150	1095	55	860
733	1290	2.5	2.38	SK772-160M/4	SK772-160MH/4	Consult NORD	Consult NORD	SK772-250TC	SK772-W	733	147	1290	975	49	970
704	1350	1.8	2.50	SK41E-160M/4	SK41E-160MH/4	Consult NORD	Consult NORD	SK41E-250TC	SK41E-W	704	141	1350	936	47	1010
704	1350	2.8	2.50	SK51E-160M/4	SK51E-160MH/4	Consult NORD	Consult NORD	SK51E-250TC	SK51E-W	704	141	1350	936	47	1010
622	1520	2.3	2.81	SK772-160M/4	SK772-160MH/4	Consult NORD	Consult NORD	SK772-250TC	SK772-W	622	124	1520	827	41	1140
615	1540	2.6	2.86	SK51E-160M/4	SK51E-160MH/4	Consult NORD	Consult NORD	SK51E-250TC	SK51E-W	615	123	1540	818	41	1160
583	1620	3.3	3.02	SK42-160M/4	SK42-160MH/4	Consult NORD	Consult NORD	SK42-250TC	SK42-W	583	117	1620	775	39	1220
571	1660	1.5	3.08	SK41E-160M/4	SK41E-160MH/4	Consult NORD	Consult NORD	SK41E-250TC	SK41E-W	571	114	1660	759	38	1240
548	1730	3.2	3.21	SK42-160M/4	SK42-160MH/4	Consult NORD	Consult NORD	SK42-250TC	SK42-W	548	110	1730	729	36	1290
542	1740	2.5	3.22	SK772-160M/4	SK772-160MH/4	Consult NORD	Consult NORD	SK772-250TC	SK772-W	542	108	1740	721	36	1310
532	1780	2.4	3.31	SK51E-160M/4	SK51E-160MH/4	Consult NORD	Consult NORD	SK51E-250TC	SK51E-W	532	106	1780	708	35	1330
503	1880	3.1	3.50	SK42-160M/4	SK42-160MH/4	Consult NORD	Consult NORD	SK42-250TC	SK42-W	503	101	1880	669	33	1410
458	2060	2.3	3.81	SK772-160M/4	SK772-160MH/4	Consult NORD	Consult NORD	SK772-250TC	SK772-W	458	92	2060	609	30	1550
452	2090	3	3.89	SK42-160M/4	SK42-160MH/4	Consult NORD	Consult NORD	SK42-250TC	SK42-W	452	90	2090	601	30	1570
436	2170	1.6	4.04	SK51E-160M/4	SK51E-160MH/4	Consult NORD	Consult NORD	SK51E-250TC	SK51E-W	436	87	2170	580	29	1630
400	2360	2.1	4.37	SK772-160M/4	SK772-160MH/4	Consult NORD	Consult NORD	SK772-250TC	SK772-W	400	80	2360	532	27	1770
384	2460	2.8	4.58	SK42-160M/4	SK42-160MH/4	Consult NORD	Consult NORD	SK42-250TC	SK42-W	384	77	2460	511	26	1850
367	2580	3.3	4.79	SK42-160M/4	SK42-160MH/4	Consult NORD	Consult NORD	SK42-250TC	SK42-W	367	73	2580	488	24	1930
356	2660	3.1	4.92	SK872-160M/4	SK872-160MH/4	Consult NORD	Consult NORD	SK872-250TC	SK872-W	356	71	2660	473	24	1990
345	2740	3.2	5.10	SK42-160M/4	SK42-160MH/4	Consult NORD	Consult NORD	SK42-250TC	SK42-W	345	69	2740	459	23	2060
338	2800	1.8	5.16	SK772-160M/4	SK772-160MH/4	Consult NORD	Consult NORD	SK772-250TC	SK772-W	338	68	2800	450	22	2100
329	2880	2.5	5.35	SK42-160M/4	SK42-160MH/4	Consult NORD	Consult NORD	SK42-250TC	SK42-W	329	66	2880	438	22	2160
314	3010	3	5.57	SK872-160M/4	SK872-160MH/4	Consult NORD	Consult NORD	SK872-250TC	SK872-W	314	63	3010	418	21	2260
306	3090	3.2	5.75	SK42-160M/4	SK42-160MH/4	Consult NORD	Consult NORD	SK42-250TC	SK42-W	306	61	3090	407	20	2320
290	3260	1.6	6.02	SK772-160M/4	SK772-160MH/4	Consult NORD	Consult NORD	SK772-250TC	SK772-W	290	58	3260	386	19	2440
284	3330	2.9	6.19	SK42-160M/4	SK42-160MH/4	Consult NORD	Consult NORD	SK42-250TC	SK42-W	284	57	3330	378	19	2500
276	3430	2.9	6.34	SK872-160M/4	SK872-160MH/4	Consult NORD	Consult NORD	SK872-250TC	SK872-W	276	55	3430	367	18	2570
274	3450	3.5	6.42	SK52-160M/4	SK52-160MH/4	Consult NORD	Consult NORD	SK52-250TC	SK52-W	274	55	3450	364	18	2590
265	3570	2.9	6.65	SK42-160M/4	SK42-160MH/4	Consult NORD	Consult NORD	SK42-250TC	SK42-W	265	53	3570	352	18	2680
259	3660	2.9	6.75	SK872-160M/4	SK872-160MH/4	Consult NORD	Consult NORD	SK872-250TC	SK872-W	259	52	3660	344	17	2740
256	3690	1.4	6.83	SK772-160M/4	SK772-160MH/4	Consult NORD	Consult NORD	SK772-250TC	SK772-W	256	51	3690	340	17	2770
245	3860	1.4	7.14	SK772-160M/4	SK772-160MH/4	Consult NORD	Consult NORD	SK772-250TC	SK772-W	245	49	3860	326	16	2890
242	3910	2.4	7.28	SK42-160M/4	SK42-160MH/4	Consult NORD	Consult NORD	SK42-250TC	SK42-W	242	48	3910	322	16	2930
242	3910	3.3	7.27	SK52-160M/4	SK52-160MH/4	Consult NORD	Consult NORD	SK52-250TC	SK52-W	242	48	3910	322	16	2930
232	4080	2.7	7.58	SK872-160M/4	SK872-160MH/4	Consult NORD	Consult NORD	SK872-250TC	SK872-W	232	46	4080	309	15	3060
229	4130	3.4	7.70	SK52-160M/4	SK52-160MH/4	Consult NORD	Consult NORD	SK52-250TC	SK52-W	229	46	4130	305	15	3100
216	4380	1.3	8.10	SK772-160M/4	SK772-160MH/4	Consult NORD	Consult NORD	SK772-250TC	SK772-W	216	43	4380	287	14	3290
207	4570	2.1	8.50	SK42-160M/4	SK42-160MH/4	Consult NORD	Consult NORD	SK42-250TC	SK42-W	207	41	4570	275	14	3430
204	4640	2.4	8.58	SK872-160M/4	SK872-160MH/4	Consult NORD	Consult NORD	SK872-250TC	SK872-W	204	41	4640	271	14	3480
199	4750	3.1	8.83	SK52-160M/4	SK52-160MH/4	Consult NORD	Consult NORD	SK52-250TC	SK52-W	199	40	4750	265	13	3560
192	4930	1.1	9.11	SK772-160M/4	SK772-160MH/4	Consult NORD	Consult NORD	SK772-250TC	SK772-W	192	38	4930	255	13	3700
181	5220	2.2	9.64	SK872-160M/4	SK872-160MH/4	Consult NORD	Consult NORD	SK872-250TC	SK872-W	181	36	5220	241	12	3920
173	5470	1.9	10.20	SK42-160M/4	SK42-160MH/4	Consult NORD	Consult NORD	SK42-250TC	SK42-W	173	35	5470	230	12	4100
170	5570	1	10.23	SK772-160M/4	SK772-160MH/4	Consult NORD	Consult NORD	SK772-250TC	SK772-W	170	34	5570	226	11	4180



Gearmotors & Speed Reducers

15 hp



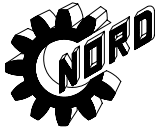
Output Speed n ₂ [rpm]	Output Torque T ₂ [lb-in]	SF f _B	Gear Ratio i	Integral Gearmotor		Gearmotor C-Face		Reducer		5:1 Inverter Duty			20:1 Inverter Duty		
				Standard Motor	EE Motor	Standard Motor	EE Motor	C-Face Input	Solid Input Shaft	[60Hz]	[12Hz]	T ₆₀ [lb-in]	[80Hz]	[4Hz]	T ₈₀ [lb-in]
										n ₆₀ [rpm]	n ₁₂ [rpm]		n ₈₀ [rpm]	n ₄ [rpm]	
169	5590	2.1	10.34	SK872-160M/4	SK872-160MH/4	Consult NORD	Consult NORD	SK872-250TC	SK872-W	169	34	5590	225	11	4200
168	5630	3.3	10.47	SK973-160M/4	SK973-160MH/4	Consult NORD	Consult NORD	SK973-250TC	SK973-W	168	34	5630	223	11	4220
166	5700	2.7	10.58	SK52-160M/4	SK52-160MH/4	Consult NORD	Consult NORD	SK52-250TC	SK52-W	166	33	5700	221	11	4280
151	6270	1.9	11.61	SK872-160M/4	SK872-160MH/4	Consult NORD	Consult NORD	SK872-250TC	SK872-W	151	30	6270	201	10	4700
149	6350	2.9	11.79	SK973-160M/4	SK973-160MH/4	Consult NORD	Consult NORD	SK973-250TC	SK973-W	149	30	6350	198	9.9	4760
144	6570	2.4	12.20	SK52-160M/4	SK52-160MH/4	Consult NORD	Consult NORD	SK52-250TC	SK52-W	144	29	6570	192	9.6	4930
143	6610	1.6	12.28	SK42-160M/4	SK42-160MH/4	Consult NORD	Consult NORD	SK42-250TC	SK42-W	143	29	6610	190	9.5	4960
142	6660	2.9	12.41	SK973-160M/4	SK973-160MH/4	Consult NORD	Consult NORD	SK973-250TC	SK973-W	142	28	6660	189	9.4	5000
132	7170	1.7	13.23	SK872-160M/4	SK872-160MH/4	Consult NORD	Consult NORD	SK872-250TC	SK872-W	132	26	7170	176	8.8	5380
131	7220	2.3	13.45	SK52-160M/4	SK52-160MH/4	Consult NORD	Consult NORD	SK52-250TC	SK52-W	131	26	7220	174	8.7	5420
126	7510	2.3	14.00	SK52-160M/4	SK52-160MH/4	Consult NORD	Consult NORD	SK52-250TC	SK52-W	126	25	7510	168	8.4	5630
126	7510	2.7	13.96	SK973-160M/4	SK973-160MH/4	Consult NORD	Consult NORD	SK973-250TC	SK973-W	126	25	7510	168	8.4	5630
122	7750	1.3	14.38	SK42-160M/4	SK42-160MH/4	Consult NORD	Consult NORD	SK42-250TC	SK42-W	122	24	7750	162	8.1	5820
120	7890	1.6	14.56	SK872-160M/4	SK872-160MH/4	Consult NORD	Consult NORD	SK872-250TC	SK872-W	120	24	7890	160	8	5920
116	8150	1.4	15.12	SK42-160M/4	SK42-160MH/4	Consult NORD	Consult NORD	SK42-250TC	SK42-W	116	23	8150	154	7.7	6110
114	8290	1.4	15.25	SK872-160M/4	SK872-160MH/4	Consult NORD	Consult NORD	SK872-250TC	SK872-W	114	23	8290	152	7.6	6220
113	8370	2.5	15.46	SK973-160M/4	SK973-160MH/4	Consult NORD	Consult NORD	SK973-250TC	SK973-W	113	23	8370	150	7.5	6280
111	8520	3.1	15.80	SK62-160M/4	SK62-160MH/4	Consult NORD	Consult NORD	SK62-250TC	SK62-W	111	22	8520	148	7.4	6390
104	9100	1.3	16.78	SK872-160M/4	SK872-160MH/4	Consult NORD	Consult NORD	SK872-250TC	SK872-W	104	21	9100	138	6.9	6830
104	9100	1.5	16.69	SK873-160M/4	SK873-160MH/4	Consult NORD	Consult NORD	SK873-250TC	SK873-W	104	21	9100	138	6.9	6830
101	9360	2.9	17.37	SK63-160M/4	SK63-160MH/4	Consult NORD	Consult NORD	SK63-250TC	SK63-W	101	20	9360	134	6.7	7020
99	9550	1.1	17.71	SK42-160M/4	SK42-160MH/4	Consult NORD	Consult NORD	SK42-250TC	SK42-W	99	20	9550	132	6.6	7160
99	9550	1.8	17.81	SK52-160M/4	SK52-160MH/4	Consult NORD	Consult NORD	SK52-250TC	SK52-W	99	20	9550	132	6.6	7160
98	9650	2.3	17.77	SK973-160M/4	SK973-160MH/4	Consult NORD	Consult NORD	SK973-250TC	SK973-W	98	20	9650	130	6.5	7240
97	9750	2.8	18.14	SK62-160M/4	SK62-160MH/4	Consult NORD	Consult NORD	SK62-250TC	SK62-W	97	19	9750	129	6.5	7320
95	9960	1.2	18.32	SK872-160M/4	SK872-160MH/4	Consult NORD	Consult NORD	SK872-250TC	SK872-W	95	19	9960	126	6.3	7470
90	10500	1.6	19.60	SK52-160M/4	SK52-160MH/4	Consult NORD	Consult NORD	SK52-250TC	SK52-W	90	18	10500	120	6	7880
89	10600	1.3	19.72	SK873-160M/4	SK873-160MH/4	Consult NORD	Consult NORD	SK873-250TC	SK873-W	89	18	10600	118	5.9	7970
85	11100	2.1	20.37	SK973-160M/4	SK973-160MH/4	Consult NORD	Consult NORD	SK973-250TC	SK973-W	85	17	11100	113	5.7	8350
85	11100	2.2	20.54	SK973-160M/4	SK973-160MH/4	Consult NORD	Consult NORD	SK973-250TC	SK973-W	85	17	11100	113	5.7	8350
85	11100	2.5	20.77	SK63-160M/4	SK63-160MH/4	Consult NORD	Consult NORD	SK63-250TC	SK63-W	85	17	11100	113	5.7	8350
82	11500	2.2	21.37	SK973-160M/4	SK973-160MH/4	Consult NORD	Consult NORD	SK973-250TC	SK973-W	82	16	11500	109	5.5	8650
81	11700	1.4	21.68	SK52-160M/4	SK52-160MH/4	Consult NORD	Consult NORD	SK52-250TC	SK52-W	81	16	11700	108	5.4	8760
80	11800	2.4	21.98	SK63-160M/4	SK63-160MH/4	Consult NORD	Consult NORD	SK63-250TC	SK63-W	80	16	11800	106	5.3	8870
79	12000	1.1	22.16	SK872-160M/4	SK872-160MH/4	Consult NORD	Consult NORD	SK872-250TC	SK872-W	79	16	12000	105	5.3	8980
78	12100	1.8	22.53	SK973-160M/4	SK973-160MH/4	Consult NORD	Consult NORD	SK973-250TC	SK973-W	78	16	12100	104	5.2	9100
77	12300	2	22.62	SK973-160M/4	SK973-160MH/4	Consult NORD	Consult NORD	SK973-250TC	SK973-W	77	15	12300	102	5.1	9220
74	12800	1.2	23.38	SK873-160M/4	SK873-160MH/4	Consult NORD	Consult NORD	SK873-250TC	SK873-W	74	15	12800	98	4.9	9590
74	12800	1.3	23.92	SK52-160M/4	SK52-160MH/4	Consult NORD	Consult NORD	SK52-250TC	SK52-W	74	15	12800	98	4.9	9590
72	13100	2.1	24.20	SK973-160M/4	SK973-160MH/4	Consult NORD	Consult NORD	SK973-250TC	SK973-W	72	14	13100	96	4.8	9850
70	13500	1	24.90	SK872-160M/4	SK872-160MH/4	Consult NORD	Consult NORD	SK872-250TC	SK872-W	70	14	13500	93	4.7	10100
67	14100	1.2	26.46	SK52-160M/4	SK52-160MH/4	Consult NORD	Consult NORD	SK52-250TC	SK52-W	67	13	14100	89	4.5	10600
67	14100	2	26.28	SK63-160M/4	SK63-160MH/4	Consult NORD	Consult NORD	SK63-250TC	SK63-W	67	13	14100	89	4.5	10600
66	14300	1	26.49	SK873-160M/4	SK873-160MH/4	Consult NORD	Consult NORD	SK873-250TC	SK873-W	66	13	14300	88	4.4	10700
66	14300	1.6	26.57	SK973-160M/4	SK973-160MH/4	Consult NORD	Consult NORD	SK973-250TC	SK973-W	66	13	14300	88	4.4	10700
64	14800	1.9	27.50	SK973-160M/4	SK973-160MH/4	Consult NORD	Consult NORD	SK973-250TC	SK973-W	64	13	14800	85	4.3	11100
62	15300	2.9	28.32	SK73-160M/4	SK73-160MH/4	Consult NORD	Consult NORD	SK73-250TC	SK73-W	62	12	15300	82	4.1	11400
61	15500	2.3	28.63	SK72-160M/4	SK72-160MH/4	Consult NORD	Consult NORD	SK72-250TC	SK72-W	61	12	15500	81	4.1	11600
57	16600	1.9	30.91	SK63-160M/4	SK63-160MH/4	Consult NORD	Consult NORD	SK63-250TC	SK63-W	57	11	16600	76	3.8	12400



15 hp Gearmotors & Speed Reducers



Output Speed n_2 [rpm]	Output Torque T_2 [lb-in]	SF f_B	Gear Ratio i	Integral Gearmotor		Gearmotor C-Face		Reducer		5:1 Inverter Duty			20:1 Inverter Duty		
				Standard Motor	EE Motor	Standard Motor	EE Motor	C-Face Input	Solid Input Shaft	[60Hz]	[12Hz]		[80Hz]	[4Hz]	
										n_{60} [rpm]	n_{12} [rpm]	T_{60} [lb-in]	n_{80} [rpm]	n_4 [rpm]	T_{80} [lb-in]
56	16900	1.7	30.80	SK973-160M/4	SK973-160MH/4	Consult NORD	Consult NORD	SK973-250TC	SK973-W	56	11	16900	74	3.7	12700
55	17200	3.4	32.12	SK82-160M/4	SK82-160MH/4	Consult NORD	Consult NORD	SK82-250TC	SK82-W	55	11	17200	73	3.7	12900
53	17800	1.6	33.04	SK72-160M/4	SK72-160MH/4	Consult NORD	Consult NORD	SK72-250TC	SK72-W	53	11	17800	70	3.5	13400
53	17800	2.5	33.24	SK73-160M/4	SK73-160MH/4	Consult NORD	Consult NORD	SK73-250TC	SK73-W	53	11	17800	70	3.5	13400
49	19300	1.5	35.88	SK973-160M/4	SK973-160MH/4	Consult NORD	Consult NORD	SK973-250TC	SK973-W	49	9.8	19300	65	3.3	14500
49	19300	1.7	36.11	SK63-160M/4	SK63-160MH/4	Consult NORD	Consult NORD	SK63-250TC	SK63-W	49	9.8	19300	65	3.3	14500
48	19700	1.4	37.05	SK62-160M/4	SK62-160MH/4	Consult NORD	Consult NORD	SK62-250TC	SK62-W	48	9.6	19700	64	3.2	14800
47	20100	1.4	37.09	SK973-160M/4	SK973-160MH/4	Consult NORD	Consult NORD	SK973-250TC	SK973-W	47	9.4	20100	63	3.1	15100
47	20100	2.2	37.63	SK73-160M/4	SK73-160MH/4	Consult NORD	Consult NORD	SK73-250TC	SK73-W	47	9.4	20100	63	3.1	15100
45	21000	3.3	39.08	SK83-160M/4	SK83-160MH/4	Consult NORD	Consult NORD	SK83-250TC	SK83-W	45	9	21000	60	3	15800
44	21500	1.7	40.45	SK82-160M/4	SK82-160MH/4	Consult NORD	Consult NORD	SK82-250TC	SK82-W	44	8.8	21500	59	2.9	16100
41	23100	1.2	42.27	SK973-160M/4	SK973-160MH/4	Consult NORD	Consult NORD	SK973-250TC	SK973-W	41	8.2	23100	55	2.7	17300
41	23100	1.4	43.43	SK63-160M/4	SK63-160MH/4	Consult NORD	Consult NORD	SK63-250TC	SK63-W	41	8.2	23100	55	2.7	17300
40	23600	1.5	43.71	SK72-160M/4	SK72-160MH/4	Consult NORD	Consult NORD	SK72-250TC	SK72-W	40	8	23600	53	2.7	17700
40	23600	3.3	44.38	SK83-160M/4	SK83-160MH/4	Consult NORD	Consult NORD	SK83-250TC	SK83-W	40	8	23600	53	2.7	17700
39	24200	2	45.66	SK73-160M/4	SK73-160MH/4	Consult NORD	Consult NORD	SK73-250TC	SK73-W	39	7.8	24200	52	2.6	18200
36	26300	1.8	48.82	SK82-160M/4	SK82-160MH/4	Consult NORD	Consult NORD	SK82-250TC	SK82-W	36	7.2	26300	48	2.4	19700
35	27000	1.2	50.73	SK63-160M/4	SK63-160MH/4	Consult NORD	Consult NORD	SK63-250TC	SK63-W	35	7	27000	47	2.3	20300
34	27800	1.8	52.24	SK73-160M/4	SK73-160MH/4	Consult NORD	Consult NORD	SK73-250TC	SK73-W	34	6.8	27800	45	2.3	20900
34	27800	2.8	51.51	SK83-160M/4	SK83-160MH/4	Consult NORD	Consult NORD	SK83-250TC	SK83-W	34	6.8	27800	45	2.3	20900
33	28700	1.1	53.82	SK63-160M/4	SK63-160MH/4	Consult NORD	Consult NORD	SK63-250TC	SK63-W	33	6.6	28700	44	2.2	21500
29	32600	1.5	60.46	SK73-160M/4	SK73-160MH/4	Consult NORD	Consult NORD	SK73-250TC	SK73-W	29	5.8	32600	39	1.9	24500
28	33800	1	62.87	SK63-160M/4	SK63-160MH/4	Consult NORD	Consult NORD	SK63-250TC	SK63-W	28	5.6	33800	37	1.9	25300
28	33800	2.4	61.89	SK83-160M/4	SK83-160MH/4	Consult NORD	Consult NORD	SK83-250TC	SK83-W	28	5.6	33800	37	1.9	25300
25	37800	2.1	70.24	SK83-160M/4	SK83-160MH/4	Consult NORD	Consult NORD	SK83-250TC	SK83-W	25	5	37800	33	1.7	28400
24	39400	1.2	74.87	SK73-160M/4	SK73-160MH/4	Consult NORD	Consult NORD	SK73-250TC	SK73-W	24	4.8	39400	32	1.6	29600
24	39400	3	72.47	SK93-160M/4	SK93-160MH/4	Consult NORD	Consult NORD	SK93-250TC	SK93-W	24	4.8	39400	32	1.6	29600
22	43000	1.8	80.62	SK83-160M/4	SK83-160MH/4	Consult NORD	Consult NORD	SK83-250TC	SK83-W	22	4.4	43000	29	1.5	32200
19	49800	2.5	93.34	SK93-160M/4	SK93-160MH/4	Consult NORD	Consult NORD	SK93-250TC	SK93-W	19	3.8	49800	25	1.3	37300
17	55600	1.5	104.00	SK83-160M/4	SK83-160MH/4	Consult NORD	Consult NORD	SK83-250TC	SK83-W	17	3.4	55600	23	1.1	41700
16	59100	1.7	109.14	SK93-160M/4	SK93-160MH/4	Consult NORD	Consult NORD	SK93-250TC	SK93-W	16	3.2	59100	21	1.1	44300
14	67600	1.8	123.05	SK93-160M/4	SK93-160MH/4	Consult NORD	Consult NORD	SK93-250TC	SK93-W	14	2.8	67600	19	0.93	50700



Gearmotors & Speed Reducers

20 hp



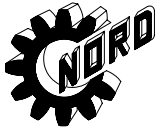
Output Speed n_2 [rpm]	Output Torque T_2 [lb-in]	SF f_B	Gear Ratio i	Integral Gearmotor		Gearmotor C-Face		Reducer		5:1 Inverter Duty			20:1 Inverter Duty		
				Standard Motor	EE Motor	Standard Motor	EE Motor	C-Face Input	Solid Input Shaft	n_{60} [rpm]	n_{12} [rpm]	T_{60} [lb-in]	n_{80} [rpm]	n_4 [rpm]	T_{80} [lb-in]
1252	1010	1.6	1.41	SK41E-160L/4	SK41E-160LH/4	Consult NORD	Consult NORD	SK41E-250TC	SK41E-W	1252	250	1010	1665	83	755
1177	1070	1.6	1.50	SK41E-160L/4	SK41E-160LH/4	Consult NORD	Consult NORD	SK41E-250TC	SK41E-W	1177	235	1070	1565	78	800
1083	1160	1.52	1.63	SK41E-160L/4	SK41E-160LH/4	Consult NORD	Consult NORD	SK41E-250TC	SK41E-W	1083	217	1160	1440	72	870
967	1300	1.5	1.82	SK41E-160L/4	SK41E-160LH/4	Consult NORD	Consult NORD	SK41E-250TC	SK41E-W	967	193	1300	1285	64	980
967	1300	2.3	1.82	SK51E-160L/4	SK51E-160LH/4	Consult NORD	Consult NORD	SK51E-250TC	SK51E-W	967	193	1300	1285	64	980
854	1480	2.3	2.06	SK51E-160L/4	SK51E-160LH/4	Consult NORD	Consult NORD	SK51E-250TC	SK51E-W	854	171	1480	1135	57	1110
822	1530	1.4	2.14	SK41E-160L/4	SK41E-160LH/4	Consult NORD	Consult NORD	SK41E-250TC	SK41E-W	822	164	1530	1095	55	1150
733	1720	1.9	2.38	SK772-160L/4	SK772-160LH/4	Consult NORD	Consult NORD	SK772-250TC	SK772-W	733	147	1720	975	49	1290
704	1790	1.3	2.50	SK41E-160L/4	SK41E-160LH/4	Consult NORD	Consult NORD	SK41E-250TC	SK41E-W	704	141	1790	936	47	1340
704	1790	2.1	2.50	SK51E-160L/4	SK51E-160LH/4	Consult NORD	Consult NORD	SK51E-250TC	SK51E-W	704	141	1790	936	47	1340
622	2030	1.7	2.81	SK772-160L/4	SK772-160LH/4	Consult NORD	Consult NORD	SK772-250TC	SK772-W	622	124	2030	827	41	1520
615	2050	2	2.86	SK51E-160L/4	SK51E-160LH/4	Consult NORD	Consult NORD	SK51E-250TC	SK51E-W	615	123	2050	818	41	1540
596	2120	2.4	2.94	SK872-160L/4	SK872-160LH/4	Consult NORD	Consult NORD	SK872-250TC	SK872-W	596	119	2120	793	40	1590
583	2160	2.5	3.02	SK42-160L/4	SK42-160LH/4	Consult NORD	Consult NORD	SK42-250TC	SK42-W	583	117	2160	775	39	1620
571	2210	1.1	3.08	SK41E-160L/4	SK41E-160LH/4	Consult NORD	Consult NORD	SK41E-250TC	SK41E-W	571	114	2210	759	38	1660
548	2300	2.4	3.21	SK42-160L/4	SK42-160LH/4	Consult NORD	Consult NORD	SK42-250TC	SK42-W	548	110	2300	729	36	1730
542	2330	1.8	3.22	SK772-160L/4	SK772-160LH/4	Consult NORD	Consult NORD	SK772-250TC	SK772-W	542	108	2330	721	36	1750
532	2370	1.8	3.31	SK51E-160L/4	SK51E-160LH/4	Consult NORD	Consult NORD	SK51E-250TC	SK51E-W	532	106	2370	708	35	1780
526	2400	2.3	3.33	SK872-160L/4	SK872-160LH/4	Consult NORD	Consult NORD	SK872-250TC	SK872-W	526	105	2400	700	35	1800
503	2510	2.3	3.50	SK42-160L/4	SK42-160LH/4	Consult NORD	Consult NORD	SK42-250TC	SK42-W	503	101	2510	669	33	1880
463	2730	2.2	3.78	SK872-160L/4	SK872-160LH/4	Consult NORD	Consult NORD	SK872-250TC	SK872-W	463	93	2730	616	31	2050
458	2750	1.7	3.81	SK772-160L/4	SK772-160LH/4	Consult NORD	Consult NORD	SK772-250TC	SK772-W	458	92	2750	609	30	2060
452	2790	2.2	3.89	SK42-160L/4	SK42-160LH/4	Consult NORD	Consult NORD	SK42-250TC	SK42-W	452	90	2790	601	30	2090
436	2890	1.2	4.04	SK51E-160L/4	SK51E-160LH/4	Consult NORD	Consult NORD	SK51E-250TC	SK51E-W	436	87	2890	580	29	2170
431	2930	2.6	4.08	SK52-160L/4	SK52-160LH/4	Consult NORD	Consult NORD	SK52-250TC	SK52-W	431	86	2930	573	29	2200
414	3040	2.1	4.23	SK872-160L/4	SK872-160LH/4	Consult NORD	Consult NORD	SK872-250TC	SK872-W	414	83	3040	551	28	2280
402	3130	3	4.38	SK52-160L/4	SK52-160LH/4	Consult NORD	Consult NORD	SK52-250TC	SK52-W	402	80	3130	535	27	2350
400	3150	1.6	4.37	SK772-160L/4	SK772-160LH/4	Consult NORD	Consult NORD	SK772-250TC	SK772-W	400	80	3150	532	27	2360
384	3280	2.1	4.58	SK42-160L/4	SK42-160LH/4	Consult NORD	Consult NORD	SK42-250TC	SK42-W	384	77	3280	511	26	2460
382	3300	2.5	4.61	SK52-160L/4	SK52-160LH/4	Consult NORD	Consult NORD	SK52-250TC	SK52-W	382	76	3300	508	25	2480
367	3430	2.5	4.79	SK42-160L/4	SK42-160LH/4	Consult NORD	Consult NORD	SK42-250TC	SK42-W	367	73	3430	488	24	2580
356	3540	2.4	4.92	SK872-160L/4	SK872-160LH/4	Consult NORD	Consult NORD	SK872-250TC	SK872-W	356	71	3540	473	24	2660
346	3650	2.9	5.08	SK52-160L/4	SK52-160LH/4	Consult NORD	Consult NORD	SK52-250TC	SK52-W	346	69	3650	460	23	2740
345	3660	2.4	5.10	SK42-160L/4	SK42-160LH/4	Consult NORD	Consult NORD	SK42-250TC	SK42-W	345	69	3660	459	23	2740
338	3740	1.4	5.16	SK772-160L/4	SK772-160LH/4	Consult NORD	Consult NORD	SK772-250TC	SK772-W	338	68	3740	450	22	2800
329	3830	1.9	5.35	SK42-160L/4	SK42-160LH/4	Consult NORD	Consult NORD	SK42-250TC	SK42-W	329	66	3830	438	22	2870
314	4020	2.3	5.60	SK52-160L/4	SK52-160LH/4	Consult NORD	Consult NORD	SK52-250TC	SK52-W	314	63	4020	418	21	3010
314	4020	2.3	5.57	SK872-160L/4	SK872-160LH/4	Consult NORD	Consult NORD	SK872-250TC	SK872-W	314	63	4020	418	21	3010
306	4120	2.4	5.75	SK42-160L/4	SK42-160LH/4	Consult NORD	Consult NORD	SK42-250TC	SK42-W	306	61	4120	407	20	3090
304	4150	2.8	5.79	SK52-160L/4	SK52-160LH/4	Consult NORD	Consult NORD	SK52-250TC	SK52-W	304	61	4150	404	20	3110
290	4350	1.2	6.02	SK772-160L/4	SK772-160LH/4	Consult NORD	Consult NORD	SK772-250TC	SK772-W	290	58	4350	386	19	3260
289	4360	2.9	6.09	SK52-160L/4	SK52-160LH/4	Consult NORD	Consult NORD	SK52-250TC	SK52-W	289	58	4360	384	19	3270
284	4440	2.1	6.19	SK42-160L/4	SK42-160LH/4	Consult NORD	Consult NORD	SK42-250TC	SK42-W	284	57	4440	378	19	3330
276	4570	2.2	6.34	SK872-160L/4	SK872-160LH/4	Consult NORD	Consult NORD	SK872-250TC	SK872-W	276	55	4570	367	18	3430
274	4600	2.6	6.42	SK52-160L/4	SK52-160LH/4	Consult NORD	Consult NORD	SK52-250TC	SK52-W	274	55	4600	364	18	3450
265	4760	2.2	6.65	SK42-160L/4	SK42-160LH/4	Consult NORD	Consult NORD	SK42-250TC	SK42-W	265	53	4760	352	18	3570
259	4870	2.2	6.75	SK872-160L/4	SK872-160LH/4	Consult NORD	Consult NORD	SK872-250TC	SK872-W	259	52	4870	344	17	3650
256	4930	1.1	6.83	SK772-160L/4	SK772-160LH/4	Consult NORD	Consult NORD	SK772-250TC	SK772-W	256	51	4930	340	17	3700



20 hp Gearmotors & Speed Reducers



Output Speed n ₂ [rpm]	Output Torque T ₂ [lb-in]	SF f _B	Gear Ratio i	Integral Gearmotor		Gearmotor C-Face		Reducer		5:1 Inverter Duty			20:1 Inverter Duty		
				Standard Motor	EE Motor	Standard Motor	EE Motor	C-Face Input	Solid Input Shaft	60Hz	12Hz		80Hz	4Hz	
										n ₆₀ [rpm]	n ₁₂ [rpm]	T ₆₀ [lb-in]	n ₈₀ [rpm]	n ₄ [rpm]	T ₈₀ [lb-in]
245	5150	1	7.14	SK772-160L/4	SK772-160LH/4	Consult NORD	Consult NORD	SK772-250TC	SK772-W	245	49	5150	326	16	3860
242	5210	1.8	7.28	SK42-160L/4	SK42-160LH/4	Consult NORD	Consult NORD	SK42-250TC	SK42-W	242	48	5210	322	16	3910
242	5210	2.5	7.27	SK52-160L/4	SK52-160LH/4	Consult NORD	Consult NORD	SK52-250TC	SK52-W	242	48	5210	322	16	3910
232	5430	2	7.58	SK872-160L/4	SK872-160LH/4	Consult NORD	Consult NORD	SK872-250TC	SK872-W	232	46	5430	309	15	4080
229	5510	2.6	7.70	SK52-160L/4	SK52-160LH/4	Consult NORD	Consult NORD	SK52-250TC	SK52-W	229	46	5510	305	15	4130
216	5840	1	8.10	SK772-160L/4	SK772-160LH/4	Consult NORD	Consult NORD	SK772-250TC	SK772-W	216	43	5840	287	14	4380
207	6090	1.6	8.50	SK42-160L/4	SK42-160LH/4	Consult NORD	Consult NORD	SK42-250TC	SK42-W	207	41	6090	275	14	4570
204	6180	1.8	8.58	SK872-160L/4	SK872-160LH/4	Consult NORD	Consult NORD	SK872-250TC	SK872-W	204	41	6180	271	14	4630
204	6180	2.3	8.64	SK972-160L/4	SK972-160LH/4	Consult NORD	Consult NORD	SK972-250TC	SK972-W	204	41	6180	271	14	4630
199	6340	2.3	8.83	SK52-160L/4	SK52-160LH/4	Consult NORD	Consult NORD	SK52-250TC	SK52-W	199	40	6340	265	13	4750
194	6500	2.4	9.05	SK972-160L/4	SK972-160LH/4	Consult NORD	Consult NORD	SK972-250TC	SK972-W	194	39	6500	258	13	4870
181	6970	1.6	9.64	SK872-160L/4	SK872-160LH/4	Consult NORD	Consult NORD	SK872-250TC	SK872-W	181	36	6970	241	12	5230
173	7290	1.4	10.20	SK42-160L/4	SK42-160LH/4	Consult NORD	Consult NORD	SK42-250TC	SK42-W	173	35	7290	230	12	5470
169	7460	1.6	10.34	SK872-160L/4	SK872-160LH/4	Consult NORD	Consult NORD	SK872-250TC	SK872-W	169	34	7460	225	11	5600
168	7510	2.4	10.47	SK972-160L/4	SK972-160LH/4	Consult NORD	Consult NORD	SK972-250TC	SK972-W	168	34	7510	223	11	5630
166	7590	2.1	10.58	SK52-160L/4	SK52-160LH/4	Consult NORD	Consult NORD	SK52-250TC	SK52-W	166	33	7590	221	11	5700
152	8290	2.7	11.59	SK62-160L/4	SK62-160LH/4	Consult NORD	Consult NORD	SK62-250TC	SK62-W	152	30	8290	202	10	6220
151	8350	1.4	11.61	SK872-160L/4	SK872-160LH/4	Consult NORD	Consult NORD	SK872-250TC	SK872-W	151	30	8350	201	10	6270
149	8460	2.2	11.79	SK972-160L/4	SK972-160LH/4	Consult NORD	Consult NORD	SK972-250TC	SK972-W	149	30	8460	198	9.9	6350
144	8750	1.8	12.20	SK52-160L/4	SK52-160LH/4	Consult NORD	Consult NORD	SK52-250TC	SK52-W	144	29	8750	192	9.6	6570
143	8820	1.2	12.28	SK42-160L/4	SK42-160LH/4	Consult NORD	Consult NORD	SK42-250TC	SK42-W	143	29	8820	190	9.5	6610
142	8880	2.2	12.41	SK972-160L/4	SK972-160LH/4	Consult NORD	Consult NORD	SK972-250TC	SK972-W	142	28	8880	189	9.4	6660
132	9550	1.3	13.23	SK872-160L/4	SK872-160LH/4	Consult NORD	Consult NORD	SK872-250TC	SK872-W	132	26	9550	176	8.8	7160
131	9630	1.7	13.45	SK52-160L/4	SK52-160LH/4	Consult NORD	Consult NORD	SK52-250TC	SK52-W	131	26	9630	174	8.7	7220
126	10000	1.7	14.00	SK52-160L/4	SK52-160LH/4	Consult NORD	Consult NORD	SK52-250TC	SK52-W	126	25	10000	168	8.4	7510
126	10000	2	13.96	SK972-160L/4	SK972-160LH/4	Consult NORD	Consult NORD	SK972-250TC	SK972-W	126	25	10000	168	8.4	7510
126	10000	2.5	13.92	SK62-160L/4	SK62-160LH/4	Consult NORD	Consult NORD	SK62-250TC	SK62-W	126	25	10000	168	8.4	7510
122	10300	1	14.38	SK42-160L/4	SK42-160LH/4	Consult NORD	Consult NORD	SK42-250TC	SK42-W	122	24	10300	162	8.1	7750
120	10500	1.2	14.56	SK872-160L/4	SK872-160LH/4	Consult NORD	Consult NORD	SK872-250TC	SK872-W	120	24	10500	160	8	7880
116	10900	1	15.12	SK42-160L/4	SK42-160LH/4	Consult NORD	Consult NORD	SK42-250TC	SK42-W	116	23	10900	154	7.7	8150
114	11100	1.1	15.25	SK872-160L/4	SK872-160LH/4	Consult NORD	Consult NORD	SK872-250TC	SK872-W	114	23	11100	152	7.6	8300
113	11200	1.9	15.46	SK972-160L/4	SK972-160LH/4	Consult NORD	Consult NORD	SK972-250TC	SK972-W	113	23	11200	150	7.5	8370
111	11400	2.3	15.80	SK62-160L/4	SK62-160LH/4	Consult NORD	Consult NORD	SK62-250TC	SK62-W	111	22	11400	148	7.4	8520
104	12100	1	16.78	SK872-160L/4	SK872-160LH/4	Consult NORD	Consult NORD	SK872-250TC	SK872-W	104	21	12100	138	6.9	9100
104	12100	1.1	16.69	SK873-160L/4	SK873-160LH/4	Consult NORD	Consult NORD	SK873-250TC	SK873-W	104	21	12100	138	6.9	9100
104	12100	2.6	16.86	SK72-160L/4	SK72-160LH/4	Consult NORD	Consult NORD	SK72-250TC	SK72-W	104	21	12100	138	6.9	9100
101	12500	2.2	17.37	SK63-160L/4	SK63-160LH/4	Consult NORD	Consult NORD	SK63-250TC	SK63-W	101	20	12500	134	6.7	9370
99	12700	1.3	17.81	SK52-160L/4	SK52-160LH/4	Consult NORD	Consult NORD	SK52-250TC	SK52-W	99	20	12700	132	6.6	9550
98	12900	1.7	17.77	SK972-160L/4	SK972-160LH/4	Consult NORD	Consult NORD	SK972-250TC	SK972-W	98	20	12900	130	6.5	9650
98	12900	2.6	18.00	SK73-160L/4	SK73-160LH/4	Consult NORD	Consult NORD	SK73-250TC	SK73-W	98	20	12900	130	6.5	9650
97	13000	2.1	18.14	SK62-160L/4	SK62-160LH/4	Consult NORD	Consult NORD	SK62-250TC	SK62-W	97	19	13000	129	6.5	9750
96	13100	1.8	18.14	SK973-160L/4	SK973-160LH/4	Consult NORD	Consult NORD	SK973-250TC	SK973-W	96	19	13100	128	6.4	9850
90	14000	1.2	19.60	SK52-160L/4	SK52-160LH/4	Consult NORD	Consult NORD	SK52-250TC	SK52-W	90	18	14000	120	6	10500
89	14200	1	19.72	SK873-160L/4	SK873-160LH/4	Consult NORD	Consult NORD	SK873-250TC	SK873-W	89	18	14200	118	5.9	10600
85	14800	1.6	20.37	SK972-160L/4	SK972-160LH/4	Consult NORD	Consult NORD	SK972-250TC	SK972-W	85	17	14800	113	5.7	11100
85	14800	1.7	20.54	SK973-160L/4	SK973-160LH/4	Consult NORD	Consult NORD	SK973-250TC	SK973-W	85	17	14800	113	5.7	11100
85	14800	1.9	20.77	SK63-160L/4	SK63-160LH/4	Consult NORD	Consult NORD	SK63-250TC	SK63-W	85	17	14800	113	5.7	11100
85	14800	2.6	20.62	SK73-160L/4	SK73-160LH/4	Consult NORD	Consult NORD	SK73-250TC	SK73-W	85	17	14800	113	5.7	11100
82	15400	1.7	21.37	SK973-160L/4	SK973-160LH/4	Consult NORD	Consult NORD	SK973-250TC	SK973-W	82	16	15400	109	5.5	11500



20 hp Gearmotors & Speed Reducers



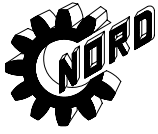
Output Speed n ₂ [rpm]	Output Torque T ₂ [lb-in]	SF f _B	Gear Ratio i	Integral Gearmotor		Gearmotor C-Face		Reducer		5:1 Inverter Duty			20:1 Inverter Duty		
				Standard Motor	EE Motor	Standard Motor	EE Motor	C-Face Input	Solid Input	[60Hz]	[12Hz]	T ₆₀	[80Hz]	[4Hz]	T ₈₀
												Shaft	n ₆₀ [rpm]	n ₁₂ [rpm]	[lb-in]
81	15600	1.1	21.68	SK52-160L/4	SK52-160LH/4	Consult NORD	Consult NORD	SK52-250TC	SK52-W	81	16	15600	108	5.4	11700
81	15600	2.6	21.64	SK72-160L/4	SK72-160LH/4	Consult NORD	Consult NORD	SK72-250TC	SK72-W	81	16	15600	108	5.4	11700
80	15800	1.8	21.98	SK63-160L/4	SK63-160LH/4	Consult NORD	Consult NORD	SK63-250TC	SK63-W	80	16	15800	106	5.3	11800
77	16400	1.5	22.62	SK972-160L/4	SK972-160LH/4	Consult NORD	Consult NORD	SK972-250TC	SK972-W	77	15	16400	102	5.1	12300
75	16800	2.5	23.34	SK73-160L/4	SK73-160LH/4	Consult NORD	Consult NORD	SK73-250TC	SK73-W	75	15	16800	100	5	12600
74	17000	1	23.92	SK52-160L/4	SK52-160LH/4	Consult NORD	Consult NORD	SK52-250TC	SK52-W	74	15	17000	98	4.9	12800
72	17500	1.6	24.20	SK973-160L/4	SK973-160LH/4	Consult NORD	Consult NORD	SK973-250TC	SK973-W	72	14	17500	96	4.8	13100
67	18800	1.5	26.28	SK63-160L/4	SK63-160LH/4	Consult NORD	Consult NORD	SK63-250TC	SK63-W	67	13	18800	89	4.5	14100
66	19100	2.9	26.62	SK82-160L/4	SK82-160LH/4	Consult NORD	Consult NORD	SK82-250TC	SK82-W	66	13	19100	88	4.4	14300
64	19700	1.4	27.50	SK973-160L/4	SK973-160LH/4	Consult NORD	Consult NORD	SK973-250TC	SK973-W	64	13	19700	85	4.3	14800
62	20300	2.2	28.32	SK73-160L/4	SK73-160LH/4	Consult NORD	Consult NORD	SK73-250TC	SK73-W	62	12	20300	82	4.1	15300
61	20700	1.7	28.63	SK72-160L/4	SK72-160LH/4	Consult NORD	Consult NORD	SK72-250TC	SK72-W	61	12	20700	81	4.1	15500
57	22100	1.4	30.91	SK63-160L/4	SK63-160LH/4	Consult NORD	Consult NORD	SK63-250TC	SK63-W	57	11	22100	76	3.8	16600
56	22500	1.3	30.80	SK973-160L/4	SK973-160LH/4	Consult NORD	Consult NORD	SK973-250TC	SK973-W	56	11	22500	74	3.7	16900
55	22900	2.5	32.12	SK82-160L/4	SK82-160LH/4	Consult NORD	Consult NORD	SK82-250TC	SK82-W	55	11	22900	73	3.7	17200
54	23400	2.7	32.52	SK83-160L/4	SK83-160LH/4	Consult NORD	Consult NORD	SK83-250TC	SK83-W	54	11	23400	72	3.6	17500
53	23800	1.2	33.04	SK72-160L/4	SK72-160LH/4	Consult NORD	Consult NORD	SK72-250TC	SK72-W	53	11	23800	70	3.5	17800
53	23800	1.9	33.24	SK73-160L/4	SK73-160LH/4	Consult NORD	Consult NORD	SK73-250TC	SK73-W	53	11	23800	70	3.5	17800
49	25700	1.1	35.88	SK973-160L/4	SK973-160LH/4	Consult NORD	Consult NORD	SK973-250TC	SK973-W	49	9.8	25700	65	3.3	19300
49	25700	1.3	36.11	SK63-160L/4	SK63-160LH/4	Consult NORD	Consult NORD	SK63-250TC	SK63-W	49	9.8	25700	65	3.3	19300
48	26300	1	37.05	SK62-160L/4	SK62-160LH/4	Consult NORD	Consult NORD	SK62-250TC	SK62-W	48	9.6	26300	64	3.2	19700
47	26800	1.1	37.09	SK973-160L/4	SK973-160LH/4	Consult NORD	Consult NORD	SK973-250TC	SK973-W	47	9.4	26800	63	3.1	20100
47	26800	1.6	37.63	SK73-160L/4	SK73-160LH/4	Consult NORD	Consult NORD	SK73-250TC	SK73-W	47	9.4	26800	63	3.1	20100
45	28000	2.5	39.08	SK83-160L/4	SK83-160LH/4	Consult NORD	Consult NORD	SK83-250TC	SK83-W	45	9	28000	60	3	21000
44	28700	1.3	40.45	SK82-160L/4	SK82-160LH/4	Consult NORD	Consult NORD	SK82-250TC	SK82-W	44	8.8	28700	59	2.9	21500
41	30800	1.1	43.43	SK63-160L/4	SK63-160LH/4	Consult NORD	Consult NORD	SK63-250TC	SK63-W	41	8.2	30800	55	2.7	23100
40	31500	1.1	43.71	SK72-160L/4	SK72-160LH/4	Consult NORD	Consult NORD	SK72-250TC	SK72-W	40	8	31500	53	2.7	23600
40	31500	2.5	44.38	SK83-160L/4	SK83-160LH/4	Consult NORD	Consult NORD	SK83-250TC	SK83-W	40	8	31500	53	2.7	23600
39	32300	1.5	45.66	SK73-160L/4	SK73-160LH/4	Consult NORD	Consult NORD	SK73-250TC	SK73-W	39	7.8	32300	52	2.6	24300
38	33200	3.1	46.57	SK93-160L/4	SK93-160LH/4	Consult NORD	Consult NORD	SK93-250TC	SK93-W	38	7.6	33200	51	2.5	24900
36	35000	1.3	48.82	SK82-160L/4	SK82-160LH/4	Consult NORD	Consult NORD	SK82-250TC	SK82-W	36	7.2	35000	48	2.4	26300
34	37100	1.3	52.24	SK73-160L/4	SK73-160LH/4	Consult NORD	Consult NORD	SK73-250TC	SK73-W	34	6.8	37100	45	2.3	27800
34	37100	2.1	51.51	SK83-160L/4	SK83-160LH/4	Consult NORD	Consult NORD	SK83-250TC	SK83-W	34	6.8	37100	45	2.3	27800
33	38200	2.8	53.80	SK93-160L/4	SK93-160LH/4	Consult NORD	Consult NORD	SK93-250TC	SK93-W	33	6.6	38200	44	2.2	28700
29	43500	1.1	60.46	SK73-160L/4	SK73-160LH/4	Consult NORD	Consult NORD	SK73-250TC	SK73-W	29	5.8	43500	39	1.9	32600
29	43500	2.6	61.63	SK93-160L/4	SK93-160LH/4	Consult NORD	Consult NORD	SK93-250TC	SK93-W	29	5.8	43500	39	1.9	32600
28	45000	1.8	61.89	SK83-160L/4	SK83-160LH/4	Consult NORD	Consult NORD	SK83-250TC	SK83-W	28	5.6	45000	37	1.9	33800
25	50400	1.6	70.24	SK83-160L/4	SK83-160LH/4	Consult NORD	Consult NORD	SK83-250TC	SK83-W	25	5	50400	33	1.7	37800
24	52500	2.3	72.47	SK93-160L/4	SK93-160LH/4	Consult NORD	Consult NORD	SK93-250TC	SK93-W	24	4.8	52500	32	1.6	39400
22	57300	1.4	80.62	SK83-160L/4	SK83-160LH/4	Consult NORD	Consult NORD	SK83-250TC	SK83-W	22	4.4	57300	29	1.5	43000
22	57300	2.7	81.40	SK103-160L/4	SK103-160LH/4	Consult NORD	Consult NORD	SK103-250TC	SK103-W	22	4.4	57300	29	1.5	43000
19	66400	1.9	93.34	SK93-160L/4	SK93-160LH/4	Consult NORD	Consult NORD	SK93-250TC	SK93-W	19	3.8	66400	25	1.3	49800
17	74200	1.1	104.00	SK83-160L/4	SK83-160LH/4	Consult NORD	Consult NORD	SK83-250TC	SK83-W	17	3.4	74200	23	1.1	55600
16	78800	1.3	109.14	SK93-160L/4	SK93-160LH/4	Consult NORD	Consult NORD	SK93-250TC	SK93-W	16	3.2	78800	21	1.1	59100
14	90100	1.4	123.05	SK93-160L/4	SK93-160LH/4	Consult NORD	Consult NORD	SK93-250TC	SK93-W	14	2.8	90100	19	0.93	67600
13	97000	2.1	136.51	SK103-160L/4	SK103-160LH/4	Consult NORD	Consult NORD	SK103-250TC	SK103-W	13	2.6	97000	17	0.86	72800



25 hp Gearmotors & Speed Reducers



Output Speed n ₂ [rpm]	Output Torque T ₂ [lb-in]	SF f _B	Gear Ratio i	Integral Gearmotor		Gearmotor C-Face		Reducer		5:1 Inverter Duty			20:1 Inverter Duty		
				Standard Motor	EE Motor	Standard Motor	EE Motor	C-Face Input	Solid Input Shaft	60Hz	12Hz		80Hz	4Hz	
										n ₆₀ [rpm]	n ₁₂ [rpm]	T ₆₀ [lb-in]	n ₈₀ [rpm]	n ₄ [rpm]	T ₈₀ [lb-in]
1411	1120	2.2	1.24	SK51E-180MX/4	SK51E-180MH/4	Consult NORD	Consult NORD	SK51E-280TC	SK51E-W	1411	282	1120	1875	94	840
1215	1300	2.1	1.44	SK51E-180MX/4	SK51E-180MH/4	Consult NORD	Consult NORD	SK51E-280TC	SK51E-W	1215	243	1300	1615	81	970
1151	1370	2	1.52	SK51E-180MX/4	SK51E-180MH/4	Consult NORD	Consult NORD	SK51E-280TC	SK51E-W	1151	230	1370	1530	77	1030
1067	1480	1.9	1.64	SK51E-180MX/4	SK51E-180MH/4	Consult NORD	Consult NORD	SK51E-280TC	SK51E-W	1067	213	1480	1420	71	1110
970	1630	1.9	1.82	SK51E-180MX/4	SK51E-180MH/4	Consult NORD	Consult NORD	SK51E-280TC	SK51E-W	970	194	1630	1290	65	1220
857	1840	1.8	2.06	SK51E-180MX/4	SK51E-180MH/4	Consult NORD	Consult NORD	SK51E-280TC	SK51E-W	857	171	1840	1140	57	1380
706	2230	1.7	2.50	SK51E-180MX/4	SK51E-180MH/4	Consult NORD	Consult NORD	SK51E-280TC	SK51E-W	706	141	2230	939	47	1670
635	2480	3.2	2.78	SK52-180MX/4	SK52-180MH/4	Consult NORD	Consult NORD	SK52-280TC	SK52-W	635	127	2480	845	42	1860
617	2560	1.6	2.86	SK51E-180MX/4	SK51E-180MH/4	Consult NORD	Consult NORD	SK51E-280TC	SK51E-W	617	123	2560	821	41	1920
596	2650	2.6	2.94	SK872-180M/4	SK872-180M/4	Consult NORD	Consult NORD	SK872-280TC	SK872-W	596	119	2650	793	40	1980
546	2890	2.9	3.23	SK52-180MX/4	SK52-180MH/4	Consult NORD	Consult NORD	SK52-280TC	SK52-W	546	109	2890	726	36	2160
533	2960	1.5	3.31	SK51E-180MX/4	SK51E-180MH/4	Consult NORD	Consult NORD	SK51E-280TC	SK51E-W	533	107	2960	709	35	2220
526	3000	2.5	3.33	SK872-180M/4	SK872-180M/4	Consult NORD	Consult NORD	SK872-280TC	SK872-W	526	105	3000	700	35	2250
519	3040	2.9	3.40	SK52-180MX/4	SK52-180MH/4	Consult NORD	Consult NORD	SK52-280TC	SK52-W	519	104	3040	690	35	2280
481	3280	2.9	3.67	SK52-180MX/4	SK52-180MH/4	Consult NORD	Consult NORD	SK52-280TC	SK52-W	481	96	3280	640	32	2460
463	3410	2.4	3.78	SK872-180M/4	SK872-180M/4	Consult NORD	Consult NORD	SK872-280TC	SK872-W	463	93	3410	616	31	2560
433	3640	2.7	4.08	SK52-180MX/4	SK52-180MH/4	Consult NORD	Consult NORD	SK52-280TC	SK52-W	433	87	3640	576	29	2730
414	3810	2.2	4.23	SK872-180M/4	SK872-180M/4	Consult NORD	Consult NORD	SK872-280TC	SK872-W	414	83	3810	551	28	2860
403	3910	2.9	4.38	SK52-180MX/4	SK52-180MH/4	Consult NORD	Consult NORD	SK52-280TC	SK52-W	403	81	3910	536	27	2930
383	4120	2.6	4.61	SK52-180MX/4	SK52-180MH/4	Consult NORD	Consult NORD	SK52-280TC	SK52-W	383	77	4120	509	25	3090
356	4430	2.4	4.92	SK872-180M/4	SK872-180M/4	Consult NORD	Consult NORD	SK872-280TC	SK872-W	356	71	4430	473	24	3320
347	4540	2.7	5.08	SK52-180MX/4	SK52-180MH/4	Consult NORD	Consult NORD	SK52-280TC	SK52-W	347	69	4540	462	23	3410
315	5000	2.1	5.60	SK52-180MX/4	SK52-180MH/4	Consult NORD	Consult NORD	SK52-280TC	SK52-W	315	63	5000	419	21	3750
314	5020	2.2	5.57	SK872-180M/4	SK872-180M/4	Consult NORD	Consult NORD	SK872-280TC	SK872-W	314	63	5020	418	21	3760
305	5170	2.5	5.79	SK52-180MX/4	SK52-180MH/4	Consult NORD	Consult NORD	SK52-280TC	SK52-W	305	61	5170	406	20	3880
290	5430	2.4	6.09	SK52-180MX/4	SK52-180MH/4	Consult NORD	Consult NORD	SK52-280TC	SK52-W	290	58	5430	386	19	4080
276	5710	2	6.34	SK872-180M/4	SK872-180M/4	Consult NORD	Consult NORD	SK872-280TC	SK872-W	276	55	5710	367	18	4280
275	5740	2.3	6.42	SK52-180MX/4	SK52-180MH/4	Consult NORD	Consult NORD	SK52-280TC	SK52-W	275	55	5740	366	18	4300
262	6020	2.9	6.75	SK972-180M/4	SK972-180M/4	Consult NORD	Consult NORD	SK972-280TC	SK972-W	262	52	6020	348	17	4510
259	6090	1.8	6.75	SK872-180M/4	SK872-180M/4	Consult NORD	Consult NORD	SK872-280TC	SK872-W	259	52	6090	344	17	4570
243	6490	2.1	7.27	SK52-180MX/4	SK52-180MH/4	Consult NORD	Consult NORD	SK52-280TC	SK52-W	243	49	6490	323	16	4870
232	6800	1.6	7.58	SK872-180M/4	SK872-180M/4	Consult NORD	Consult NORD	SK872-280TC	SK872-W	232	46	6800	309	15	5100
229	6890	2	7.70	SK52-180MX/4	SK52-180MH/4	Consult NORD	Consult NORD	SK52-280TC	SK52-W	229	46	6890	305	15	5170
229	6890	2.6	7.68	SK972-180M/4	SK972-180M/4	Consult NORD	Consult NORD	SK972-280TC	SK972-W	229	46	6890	305	15	5170
204	7730	1.5	8.58	SK872-180M/4	SK872-180M/4	Consult NORD	Consult NORD	SK872-280TC	SK872-W	204	41	7730	271	14	5800
204	7730	2.4	8.64	SK972-180M/4	SK972-180M/4	Consult NORD	Consult NORD	SK972-280TC	SK972-W	204	41	7730	271	14	5800
201	7840	3.4	8.78	SK62-180MX/4	SK62-180MH/4	Consult NORD	Consult NORD	SK62-280TC	SK62-W	201	40	7840	267	13	5880
200	7890	1.9	8.83	SK52-180MX/4	SK52-180MH/4	Consult NORD	Consult NORD	SK52-280TC	SK52-W	200	40	7890	266	13	5920
194	8120	2.2	9.05	SK972-180M/4	SK972-180M/4	Consult NORD	Consult NORD	SK972-280TC	SK972-W	194	39	8120	258	13	6090
181	8710	1.3	9.64	SK872-180M/4	SK872-180M/4	Consult NORD	Consult NORD	SK872-280TC	SK872-W	181	36	8710	241	12	6530
169	9330	1.3	10.34	SK872-180M/4	SK872-180M/4	Consult NORD	Consult NORD	SK872-280TC	SK872-W	169	34	9330	225	11	7000
168	9380	2	10.47	SK972-180M/4	SK972-180M/4	Consult NORD	Consult NORD	SK972-280TC	SK972-W	168	34	9380	223	11	7040
167	9440	1.7	10.58	SK52-180MX/4	SK52-180MH/4	Consult NORD	Consult NORD	SK52-280TC	SK52-W	167	33	9440	222	11	7080
167	9440	2.9	10.55	SK62-180MX/4	SK62-180MH/4	Consult NORD	Consult NORD	SK62-280TC	SK62-W	167	33	9440	222	11	7080
152	10400	2.6	11.59	SK62-180MX/4	SK62-180MH/4	Consult NORD	Consult NORD	SK62-280TC	SK62-W	152	30	10400	202	10	7780
151	10400	1.1	11.61	SK872-180M/4	SK872-180M/4	Consult NORD	Consult NORD	SK872-280TC	SK872-W	151	30	10400	201	10	7830
149	10600	1.8	11.79	SK972-180M/4	SK972-180M/4	Consult NORD	Consult NORD	SK972-280TC	SK972-W	149	30	10600	198	9.9	7930
145	10900	1.4	12.20	SK52-180MX/4	SK52-180MH/4	Consult NORD	Consult NORD	SK52-280TC	SK52-W	145	29	10900	193	9.6	8150
142	11100	1.7	12.41	SK972-180M/4	SK972-180M/4	Consult NORD	Consult NORD	SK972-280TC	SK972-W	142	28	11100	189	9.4	8330



25 hp Gearmotors & Speed Reducers



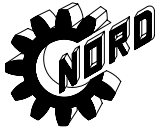
Output Speed n ₂ [rpm]	Output Torque T ₂ [lb-in]	SF f _B	Gear Ratio i	Integral Gearmotor		Gearmotor C-Face		Reducer		5:1 Inverter Duty			20:1 Inverter Duty		
				Standard Motor	EE Motor	Standard Motor	EE Motor	C-Face Input	Solid Input Shaft	60Hz	12Hz	T ₆₀	80Hz	4Hz	T ₈₀
										n ₆₀ [rpm]	n ₁₂ [rpm]	[lb-in]	n ₈₀ [rpm]	n ₄ [rpm]	[lb-in]
131	12000	1.4	13.45	SK52-180MX/4	SK52-180MH/4	Consult NORD	Consult NORD	SK52-280TC	SK52-W	131	26	12000	174	8.7	9030
127	12400	2.2	13.92	SK62-180MX/4	SK62-180MH/4	Consult NORD	Consult NORD	SK62-280TC	SK62-W	127	25	12400	169	8.4	9310
126	12500	1.4	14.00	SK52-180MX/4	SK52-180MH/4	Consult NORD	Consult NORD	SK52-280TC	SK52-W	126	25	12500	168	8.4	9390
126	12500	1.6	13.96	SK972-180M/4	SK972-180M/4	Consult NORD	Consult NORD	SK972-280TC	SK972-W	126	25	12500	168	8.4	9390
123	12800	2.8	14.33	SK72-180MX/4	SK72-180MH/4	Consult NORD	Consult NORD	SK72-280TC	SK72-W	123	25	12800	164	8.2	9610
113	13900	1.5	15.46	SK972-180M/4	SK972-180M/4	Consult NORD	Consult NORD	SK972-280TC	SK972-W	113	23	13900	150	7.5	10500
112	14100	1.9	15.80	SK62-180MX/4	SK62-180MH/4	Consult NORD	Consult NORD	SK62-280TC	SK62-W	112	22	14100	149	7.4	10600
105	15000	2.4	16.86	SK72-180MX/4	SK72-180MH/4	Consult NORD	Consult NORD	SK72-280TC	SK72-W	105	21	15000	140	7	11300
102	15500	1.8	17.37	SK63-180MX/4	SK63-180MH/4	Consult NORD	Consult NORD	SK63-280TC	SK63-W	102	20	15500	136	6.8	11600
99	15900	1.1	17.81	SK52-180MX/4	SK52-180MH/4	Consult NORD	Consult NORD	SK52-280TC	SK52-W	99	20	15900	132	6.6	11900
98	16100	1.4	17.77	SK972-180M/4	SK972-180M/4	Consult NORD	Consult NORD	SK972-280TC	SK972-W	98	20	16100	130	6.5	12100
98	16100	2.8	18.00	SK73-180MX/4	SK73-180MH/4	Consult NORD	Consult NORD	SK73-280TC	SK73-W	98	20	16100	130	6.5	12100
97	16200	1.7	18.14	SK62-180MX/4	SK62-180MH/4	Consult NORD	Consult NORD	SK62-280TC	SK62-W	97	19	16200	129	6.5	12200
96	16400	1.4	18.14	SK973-180M/4	SK973-180M/4	Consult NORD	Consult NORD	SK973-280TC	SK973-W	96	19	16400	128	6.4	12300
90	17500	1	19.60	SK52-180MX/4	SK52-180MH/4	Consult NORD	Consult NORD	SK52-280TC	SK52-W	90	18	17500	120	6	13100
86	18300	2.4	20.62	SK73-180MX/4	SK73-180MH/4	Consult NORD	Consult NORD	SK73-280TC	SK73-W	86	17	18300	114	5.7	13700
85	18500	1.3	20.54	SK973-180M/4	SK973-180M/4	Consult NORD	Consult NORD	SK973-280TC	SK973-W	85	17	18500	113	5.7	13900
85	18500	1.5	20.77	SK63-180MX/4	SK63-180MH/4	Consult NORD	Consult NORD	SK63-280TC	SK63-W	85	17	18500	113	5.7	13900
84	18800	3.8	21.04	SK83-180MX/4	SK83-180MH/4	Consult NORD	Consult NORD	SK83-280TC	SK83-W	84	17	18800	112	5.6	14100
82	19200	1.3	21.37	SK973-180M/4	SK973-180M/4	Consult NORD	Consult NORD	SK973-280TC	SK973-W	82	16	19200	109	5.5	14400
81	19500	1.8	21.72	SK72-180MX/4	SK72-180MH/4	Consult NORD	Consult NORD	SK72-280TC	SK72-W	81	16	19500	108	5.4	14600
80	19700	1.4	21.98	SK63-180MX/4	SK63-180MH/4	Consult NORD	Consult NORD	SK63-280TC	SK63-W	80	16	19700	106	5.3	14800
76	20700	2.1	23.34	SK73-180MX/4	SK73-180MH/4	Consult NORD	Consult NORD	SK73-280TC	SK73-W	76	15	20700	101	5.1	15600
72	21900	1.3	24.20	SK973-180M/4	SK973-180M/4	Consult NORD	Consult NORD	SK973-280TC	SK973-W	72	14	21900	96	4.8	16400
72	21900	3.2	24.42	SK83-180MX/4	SK83-180MH/4	Consult NORD	Consult NORD	SK83-280TC	SK83-W	72	14	21900	96	4.8	16400
67	23500	1.2	26.28	SK63-180MX/4	SK63-180MH/4	Consult NORD	Consult NORD	SK63-280TC	SK63-W	67	13	23500	89	4.5	17600
64	24600	1.1	27.50	SK973-180M/4	SK973-180M/4	Consult NORD	Consult NORD	SK973-280TC	SK973-W	64	13	24600	85	4.3	18500
63	25000	2.9	28.03	SK83-180MX/4	SK83-180MH/4	Consult NORD	Consult NORD	SK83-280TC	SK83-W	63	13	25000	84	4.2	18800
62	25400	1.7	28.32	SK73-180MX/4	SK73-180MH/4	Consult NORD	Consult NORD	SK73-280TC	SK73-W	62	12	25400	82	4.1	19100
57	27700	1.1	30.91	SK63-180MX/4	SK63-180MH/4	Consult NORD	Consult NORD	SK63-280TC	SK63-W	57	11	27700	76	3.8	20700
56	28100	1	30.80	SK973-180M/4	SK973-180M/4	Consult NORD	Consult NORD	SK973-280TC	SK973-W	56	11	28100	74	3.7	21100
54	29200	2.6	32.52	SK83-180MX/4	SK83-180MH/4	Consult NORD	Consult NORD	SK83-280TC	SK83-W	54	11	29200	72	3.6	21900
53	29700	1.5	33.24	SK73-180MX/4	SK73-180MH/4	Consult NORD	Consult NORD	SK73-280TC	SK73-W	53	11	29700	70	3.5	22300
49	32200	1	36.11	SK63-180MX/4	SK63-180MH/4	Consult NORD	Consult NORD	SK63-280TC	SK63-W	49	9.8	32200	65	3.3	24100
47	33500	1.3	37.63	SK73-180MX/4	SK73-180MH/4	Consult NORD	Consult NORD	SK73-280TC	SK73-W	47	9.4	33500	63	3.1	25200
45	35000	2.3	39.08	SK83-180MX/4	SK83-180MH/4	Consult NORD	Consult NORD	SK83-280TC	SK83-W	45	9	35000	60	3	26300
45	35000	3.1	39.54	SK93-180MX/4	SK93-180MH/4	Consult NORD	Consult NORD	SK93-280TC	SK93-W	45	9	35000	60	3	26300
40	39400	2	44.38	SK83-180MX/4	SK83-180MH/4	Consult NORD	Consult NORD	SK83-280TC	SK83-W	40	8	39400	53	2.7	29600
39	40400	1.2	45.66	SK73-180MX/4	SK73-180MH/4	Consult NORD	Consult NORD	SK73-280TC	SK73-W	39	7.8	40400	52	2.6	30300
38	41500	2.6	46.57	SK93-180MX/4	SK93-180MH/4	Consult NORD	Consult NORD	SK93-280TC	SK93-W	38	7.6	41500	51	2.5	31100
34	46400	1.1	52.24	SK73-180MX/4	SK73-180MH/4	Consult NORD	Consult NORD	SK73-280TC	SK73-W	34	6.8	46400	45	2.3	34800
34	46400	1.7	51.51	SK83-180MX/4	SK83-180MH/4	Consult NORD	Consult NORD	SK83-280TC	SK83-W	34	6.8	46400	45	2.3	34800
33	47800	2.3	53.80	SK93-180MX/4	SK93-180MH/4	Consult NORD	Consult NORD	SK93-280TC	SK93-W	33	6.6	47800	44	2.2	35800
29	54400	1.5	61.89	SK83-180MX/4	SK83-180MH/4	Consult NORD	Consult NORD	SK83-280TC	SK83-W	29	5.8	54400	39	1.9	40800
29	54400	2.1	61.63	SK93-180MX/4	SK93-180MH/4	Consult NORD	Consult NORD	SK93-280TC	SK93-W	29	5.8	54400	39	1.9	40800
25	63000	1.3	70.24	SK83-180MX/4	SK83-180MH/4	Consult NORD	Consult NORD	SK83-280TC	SK83-W	25	5	63000	33	1.7	47300
25	63000	2.8	70.38	SK103-180MX/4	SK103-180MH/4	Consult NORD	Consult NORD	SK103-280TC	SK103-W	25	5	63000	33	1.7	47300
24	65700	1.8	72.47	SK93-180MX/4	SK93-180MH/4	Consult NORD	Consult NORD	SK93-280TC	SK93-W	24	4.8	65700	32	1.6	49300
22	71700	1.1	80.62	SK83-180MX/4	SK83-180MH/4	Consult NORD	Consult NORD	SK83-280TC	SK83-W	22	4.4	71700	29	1.5	53800



25 hp Gearmotors & Speed Reducers



Output Speed n_2 [rpm]	Output Torque T_2 [lb-in]	SF f_B	Gear Ratio i	Integral Gearmotor		Gearmotor C-Face		Reducer		5:1 Inverter Duty			20:1 Inverter Duty		
				Standard Motor	EE Motor	Standard Motor	EE Motor	C-Face Input	Solid Input Shaft	[60Hz]	[12Hz]		[80Hz]	[4Hz]	
										n_{60} [rpm]	n_{12} [rpm]	T_{60} [lb-in]	n_{80} [rpm]	n_4 [rpm]	T_{80} [lb-in]
22	71700	2.5	81.40	SK103-180MX/4	SK103-180MH/4	Consult NORD	Consult NORD	SK103-280TC	SK103-W	22	4.4	71700	29	1.5	53800
19	83000	1.5	93.34	SK93-180MX/4	SK93-180MH/4	Consult NORD	Consult NORD	SK93-280TC	SK93-W	19	3.8	83000	25	1.3	62200



Gearmotors & Speed Reducers

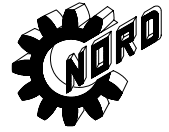
30 hp



Output Speed n_2 [rpm]	Output Torque T_2 [lb-in]	SF f_B	Gear Ratio i	Integral Gearmotor		Gearmotor C-Face		Reducer		5:1 Inverter Duty			20:1 Inverter Duty		
				Standard Motor	EE Motor	Standard Motor	EE Motor	C-Face Input	Solid Input Shaft	n_{60} [rpm]	n_{12} [rpm]	T_{60} [lb-in]	n_{80} [rpm]	n_4 [rpm]	T_{80} [lb-in]
1415	1340	1.8	1.24	SK51E-180LX/4	SK51E-180LH/4	Consult NORD	Consult NORD	SK51E-280TC	SK51E-W	1415	283	1340	1880	94	1000
1219	1550	1.7	1.44	SK51E-180LX/4	SK51E-180LH/4	Consult NORD	Consult NORD	SK51E-280TC	SK51E-W	1219	244	1550	1620	81	1160
1155	1640	1.7	1.52	SK51E-180LX/4	SK51E-180LH/4	Consult NORD	Consult NORD	SK51E-280TC	SK51E-W	1155	231	1640	1535	77	1230
1070	1770	1.6	1.64	SK51E-180LX/4	SK51E-180LH/4	Consult NORD	Consult NORD	SK51E-280TC	SK51E-W	1070	214	1770	1425	71	1330
970	1950	1.5	1.82	SK51E-180LX/4	SK51E-180LH/4	Consult NORD	Consult NORD	SK51E-280TC	SK51E-W	970	194	1950	1290	65	1460
857	2200	1.5	2.06	SK51E-180LX/4	SK51E-180LH/4	Consult NORD	Consult NORD	SK51E-280TC	SK51E-W	857	171	2200	1140	57	1650
706	2680	1.4	2.50	SK51E-180LX/4	SK51E-180LH/4	Consult NORD	Consult NORD	SK51E-280TC	SK51E-W	706	141	2680	939	47	2010
635	2980	2.6	2.78	SK52-180LX/4	SK52-180LH/4	Consult NORD	Consult NORD	SK52-280TC	SK52-W	635	127	2980	845	42	2240
617	3060	1.3	2.86	SK51E-180LX/4	SK51E-180LH/4	Consult NORD	Consult NORD	SK51E-280TC	SK51E-W	617	123	3060	821	41	2300
596	3180	2.2	2.94	SK872-180L/4	SK872-180L/4	Consult NORD	Consult NORD	SK872-280TC	SK872-W	596	119	3180	793	40	2380
546	3460	2.4	3.23	SK52-180LX/4	SK52-180LH/4	Consult NORD	Consult NORD	SK52-280TC	SK52-W	546	109	3460	726	36	2600
533	3550	1.2	3.31	SK51E-180LX/4	SK51E-180LH/4	Consult NORD	Consult NORD	SK51E-280TC	SK51E-W	533	107	3550	709	35	2660
526	3590	2.1	3.33	SK872-180L/4	SK872-180L/4	Consult NORD	Consult NORD	SK872-280TC	SK872-W	526	105	3590	700	35	2700
519	3650	2.5	3.40	SK52-180LX/4	SK52-180LH/4	Consult NORD	Consult NORD	SK52-280TC	SK52-W	519	104	3650	690	35	2740
481	3930	2.4	3.67	SK52-180LX/4	SK52-180LH/4	Consult NORD	Consult NORD	SK52-280TC	SK52-W	481	96	3930	640	32	2950
463	4090	2	3.78	SK872-180L/4	SK872-180L/4	Consult NORD	Consult NORD	SK872-280TC	SK872-W	463	93	4090	616	31	3070
433	4370	2.3	4.08	SK52-180LX/4	SK52-180LH/4	Consult NORD	Consult NORD	SK52-280TC	SK52-W	433	87	4370	576	29	3280
418	4520	3	4.23	SK972-180L/4	SK972-180L/4	Consult NORD	Consult NORD	SK972-280TC	SK972-W	418	84	4520	556	28	3390
414	4570	1.8	4.23	SK872-180L/4	SK872-180L/4	Consult NORD	Consult NORD	SK872-280TC	SK872-W	414	83	4570	551	28	3430
403	4690	2.4	4.38	SK52-180LX/4	SK52-180LH/4	Consult NORD	Consult NORD	SK52-280TC	SK52-W	403	81	4690	536	27	3520
383	4940	2.1	4.61	SK52-180LX/4	SK52-180LH/4	Consult NORD	Consult NORD	SK52-280TC	SK52-W	383	77	4940	509	25	3700
366	5170	2.9	4.82	SK972-180L/4	SK972-180L/4	Consult NORD	Consult NORD	SK972-280TC	SK972-W	366	73	5170	487	24	3880
358	5280	3.8	4.93	SK62-180LX/4	SK62-180LH/4	Consult NORD	Consult NORD	SK62-280TC	SK62-W	358	72	5280	476	24	3960
356	5310	2	4.92	SK872-180L/4	SK872-180L/4	Consult NORD	Consult NORD	SK872-280TC	SK872-W	356	71	5310	473	24	3980
347	5450	2.2	5.08	SK52-180LX/4	SK52-180LH/4	Consult NORD	Consult NORD	SK52-280TC	SK52-W	347	69	5450	462	23	4090
334	5660	2.9	5.29	SK62-180LX/4	SK62-180LH/4	Consult NORD	Consult NORD	SK62-280TC	SK62-W	334	67	5660	444	22	4250
325	5820	2.8	5.42	SK972-180L/4	SK972-180L/4	Consult NORD	Consult NORD	SK972-280TC	SK972-W	325	65	5820	432	22	4370
322	5880	3.7	5.48	SK62-180LX/4	SK62-180LH/4	Consult NORD	Consult NORD	SK62-280TC	SK62-W	322	64	5880	428	21	4410
315	6010	1.7	5.60	SK52-180LX/4	SK52-180LH/4	Consult NORD	Consult NORD	SK52-280TC	SK52-W	315	63	6010	419	21	4510
314	6030	1.8	5.57	SK872-180L/4	SK872-180L/4	Consult NORD	Consult NORD	SK872-280TC	SK872-W	314	63	6030	418	21	4520
305	6200	2	5.79	SK52-180LX/4	SK52-180LH/4	Consult NORD	Consult NORD	SK52-280TC	SK52-W	305	61	6200	406	20	4650
300	6300	2.7	5.89	SK972-180L/4	SK972-180L/4	Consult NORD	Consult NORD	SK972-280TC	SK972-W	300	60	6300	399	20	4730
290	6520	2	6.09	SK52-180LX/4	SK52-180LH/4	Consult NORD	Consult NORD	SK52-280TC	SK52-W	290	58	6520	386	19	4890
278	6810	2.5	6.35	SK62-180LX/4	SK62-180LH/4	Consult NORD	Consult NORD	SK62-280TC	SK62-W	278	56	6810	370	18	5110
276	6850	1.7	6.34	SK872-180L/4	SK872-180L/4	Consult NORD	Consult NORD	SK872-280TC	SK872-W	276	55	6850	367	18	5140
275	6880	1.9	6.42	SK52-180LX/4	SK52-180LH/4	Consult NORD	Consult NORD	SK52-280TC	SK52-W	275	55	6880	366	18	5160
262	7220	2.4	6.75	SK972-180L/4	SK972-180L/4	Consult NORD	Consult NORD	SK972-280TC	SK972-W	262	52	7220	348	17	5420
262	7220	3.5	6.73	SK62-180LX/4	SK62-180LH/4	Consult NORD	Consult NORD	SK62-280TC	SK62-W	262	52	7220	348	17	5420
259	7300	1.5	6.75	SK872-180L/4	SK872-180L/4	Consult NORD	Consult NORD	SK872-280TC	SK872-W	259	52	7300	344	17	5480
243	7790	1.8	7.27	SK52-180LX/4	SK52-180LH/4	Consult NORD	Consult NORD	SK52-280TC	SK52-W	243	49	7790	323	16	5840
233	8120	3.3	7.56	SK62-180LX/4	SK62-180LH/4	Consult NORD	Consult NORD	SK62-280TC	SK62-W	233	47	8120	310	15	6090
232	8150	1.3	7.58	SK872-180L/4	SK872-180L/4	Consult NORD	Consult NORD	SK872-280TC	SK872-W	232	46	8150	309	15	6110
229	8260	1.7	7.70	SK52-180LX/4	SK52-180LH/4	Consult NORD	Consult NORD	SK52-280TC	SK52-W	229	46	8260	305	15	6190
229	8260	2.2	7.68	SK972-180L/4	SK972-180L/4	Consult NORD	Consult NORD	SK972-280TC	SK972-W	229	46	8260	305	15	6190
204	9280	1.2	8.58	SK872-180L/4	SK872-180L/4	Consult NORD	Consult NORD	SK872-280TC	SK872-W	204	41	9280	271	14	6960
204	9280	2	8.64	SK972-180L/4	SK972-180L/4	Consult NORD	Consult NORD	SK972-280TC	SK972-W	204	41	9280	271	14	6960
201	9410	2.8	8.78	SK62-180LX/4	SK62-180LH/4	Consult NORD	Consult NORD	SK62-280TC	SK62-W	201	40	9410	267	13	7060
200	9460	1.6	8.83	SK52-180LX/4	SK52-180LH/4	Consult NORD	Consult NORD	SK52-280TC	SK52-W	200	40	9460	266	13	7100



30 hp Gearmotors & Speed Reducers



Output Speed n_2 [rpm]	Output Torque T_2 [lb-in]	SF f_B	Gear Ratio i	Integral Gearmotor		Gearmotor C-Face		Reducer		5:1 Inverter Duty			20:1 Inverter Duty		
				Standard Motor	EE Motor	Standard Motor	EE Motor	C-Face Input	Solid Input Shaft	60Hz n_{60} [rpm]	12Hz n_{12} [rpm]	T_{60} [lb-in]	80Hz n_{80} [rpm]	4Hz n_4 [rpm]	T_{80} [lb-in]
194	9750	1.8	9.05	SK972-180L/4	SK972-180L/4	Consult NORD	Consult NORD	SK972-280TC	SK972-W	194	39	9750	258	13	7320
181	10500	1.1	9.64	SK872-180L/4	SK872-180L/4	Consult NORD	Consult NORD	SK872-280TC	SK872-W	181	36	10500	241	12	7840
169	11200	1	10.34	SK872-180L/4	SK872-180L/4	Consult NORD	Consult NORD	SK872-280TC	SK872-W	169	34	11200	225	11	8400
168	11300	1.6	10.47	SK972-180L/4	SK972-180L/4	Consult NORD	Consult NORD	SK972-280TC	SK972-W	168	34	11300	223	11	8440
167	11300	1.4	10.58	SK52-180LX/4	SK52-180LH/4	Consult NORD	Consult NORD	SK52-280TC	SK52-W	167	33	11300	222	11	8500
167	11300	2.4	10.55	SK62-180LX/4	SK62-180LH/4	Consult NORD	Consult NORD	SK62-280TC	SK62-W	167	33	11300	222	11	8500
152	12400	2.2	11.59	SK62-180LX/4	SK62-180LH/4	Consult NORD	Consult NORD	SK62-280TC	SK62-W	152	30	12400	202	10	9330
149	12700	1.5	11.79	SK972-180L/4	SK972-180L/4	Consult NORD	Consult NORD	SK972-280TC	SK972-W	149	30	12700	198	9.9	9520
145	13000	1.2	12.20	SK52-180LX/4	SK52-180LH/4	Consult NORD	Consult NORD	SK52-280TC	SK52-W	145	29	13000	193	9.6	9790
142	13300	1.5	12.41	SK972-180L/4	SK972-180L/4	Consult NORD	Consult NORD	SK972-280TC	SK972-W	142	28	13300	189	9.4	9990
141	13400	2.7	12.52	SK72-180LX/4	SK72-180LH/4	Consult NORD	Consult NORD	SK72-280TC	SK72-W	141	28	13400	188	9.4	10100
131	14400	1.1	13.45	SK52-180LX/4	SK52-180LH/4	Consult NORD	Consult NORD	SK52-280TC	SK52-W	131	26	14400	174	8.7	10800
127	14900	1.8	13.92	SK62-180LX/4	SK62-180LH/4	Consult NORD	Consult NORD	SK62-280TC	SK62-W	127	25	14900	169	8.4	11200
126	15000	1.1	14.00	SK52-180LX/4	SK52-180LH/4	Consult NORD	Consult NORD	SK52-280TC	SK52-W	126	25	15000	168	8.4	11300
126	15000	1.4	13.96	SK972-180L/4	SK972-180L/4	Consult NORD	Consult NORD	SK972-280TC	SK972-W	126	25	15000	168	8.4	11300
123	15400	2.3	14.33	SK72-180LX/4	SK72-180LH/4	Consult NORD	Consult NORD	SK72-280TC	SK72-W	123	25	15400	164	8.2	11500
113	16700	1.3	15.46	SK972-180L/4	SK972-180L/4	Consult NORD	Consult NORD	SK972-280TC	SK972-W	113	23	16700	150	7.5	12600
112	16900	1.6	15.80	SK62-180LX/4	SK62-180LH/4	Consult NORD	Consult NORD	SK62-280TC	SK62-W	112	22	16900	149	7.4	12700
105	18000	2	16.86	SK72-180LX/4	SK72-180LH/4	Consult NORD	Consult NORD	SK72-280TC	SK72-W	105	21	18000	140	7	13500
102	18500	1.5	17.37	SK63-180LX/4	SK63-180LH/4	Consult NORD	Consult NORD	SK63-280TC	SK63-W	102	20	18500	136	6.8	13900
98	19300	1.1	17.77	SK972-180L/4	SK972-180L/4	Consult NORD	Consult NORD	SK972-280TC	SK972-W	98	20	19300	130	6.5	14500
98	19300	2.3	18.00	SK73-180LX/4	SK73-180LH/4	Consult NORD	Consult NORD	SK73-280TC	SK73-W	98	20	19300	130	6.5	14500
97	19500	1.4	18.14	SK62-180LX/4	SK62-180LH/4	Consult NORD	Consult NORD	SK62-280TC	SK62-W	97	19	19500	129	6.5	14600
96	19700	1.2	18.14	SK973-180L/4	SK973-180L/4	Consult NORD	Consult NORD	SK973-280TC	SK973-W	96	19	19700	128	6.4	14800
86	22000	2	20.62	SK73-180LX/4	SK73-180LH/4	Consult NORD	Consult NORD	SK73-280TC	SK73-W	86	17	22000	114	5.7	16500
85	22200	1.1	20.54	SK973-180L/4	SK973-180L/4	Consult NORD	Consult NORD	SK973-280TC	SK973-W	85	17	22200	113	5.7	16700
85	22200	1.3	20.77	SK63-180LX/4	SK63-180LH/4	Consult NORD	Consult NORD	SK63-280TC	SK63-W	85	17	22200	113	5.7	16700
84	22500	3.1	21.04	SK83-180LX/4	SK83-180LH/4	Consult NORD	Consult NORD	SK83-280TC	SK83-W	84	17	22500	112	5.6	16900
82	23100	1.1	21.37	SK973-180L/4	SK973-180L/4	Consult NORD	Consult NORD	SK973-280TC	SK973-W	82	16	23100	109	5.5	17300
81	23400	1.5	21.72	SK72-180LX/4	SK72-180LH/4	Consult NORD	Consult NORD	SK72-280TC	SK72-W	81	16	23400	108	5.4	17500
80	23600	1.2	21.98	SK63-180LX/4	SK63-180LH/4	Consult NORD	Consult NORD	SK63-280TC	SK63-W	80	16	23600	106	5.3	17700
76	24900	1.8	23.34	SK73-180LX/4	SK73-180LH/4	Consult NORD	Consult NORD	SK73-280TC	SK73-W	76	15	24900	101	5.1	18700
72	26300	1	24.20	SK973-180L/4	SK973-180L/4	Consult NORD	Consult NORD	SK973-280TC	SK973-W	72	14	26300	96	4.8	19700
72	26300	2.7	24.42	SK83-180LX/4	SK83-180LH/4	Consult NORD	Consult NORD	SK83-280TC	SK83-W	72	14	26300	96	4.8	19700
67	28200	1	26.28	SK63-180LX/4	SK63-180LH/4	Consult NORD	Consult NORD	SK63-280TC	SK63-W	67	13	28200	89	4.5	21200
64	29600	1	27.50	SK973-180L/4	SK973-180L/4	Consult NORD	Consult NORD	SK973-280TC	SK973-W	64	13	29600	85	4.3	22200
63	30000	2.4	28.03	SK83-180LX/4	SK83-180LH/4	Consult NORD	Consult NORD	SK83-280TC	SK83-W	63	13	30000	84	4.2	22500
62	30500	1.5	28.32	SK73-180LX/4	SK73-180LH/4	Consult NORD	Consult NORD	SK73-280TC	SK73-W	62	12	30500	82	4.1	22900
61	31000	1.2	28.63	SK72-180LX/4	SK72-180LH/4	Consult NORD	Consult NORD	SK72-280TC	SK72-W	61	12	31000	81	4.1	23300
57	33200	1	30.91	SK63-180LX/4	SK63-180LH/4	Consult NORD	Consult NORD	SK63-280TC	SK63-W	57	11	33200	76	3.8	24900
54	35000	2.2	32.52	SK83-180LX/4	SK83-180LH/4	Consult NORD	Consult NORD	SK83-280TC	SK83-W	54	11	35000	72	3.6	26300
53	35700	1.2	33.24	SK73-180LX/4	SK73-180LH/4	Consult NORD	Consult NORD	SK73-280TC	SK73-W	53	11	35700	70	3.5	26800
47	40200	1.1	37.63	SK73-180LX/4	SK73-180LH/4	Consult NORD	Consult NORD	SK73-280TC	SK73-W	47	9.4	40200	63	3.1	30200
45	42000	1.9	39.08	SK83-180LX/4	SK83-180LH/4	Consult NORD	Consult NORD	SK83-280TC	SK83-W	45	9	42000	60	3	31500
45	42000	2.6	39.54	SK93-180LX/4	SK93-180LH/4	Consult NORD	Consult NORD	SK93-280TC	SK93-W	45	9	42000	60	3	31500
40	47300	1.7	44.38	SK83-180LX/4	SK83-180LH/4	Consult NORD	Consult NORD	SK83-280TC	SK83-W	40	8	47300	53	2.7	35500
39	48500	1	45.66	SK73-180LX/4	SK73-180LH/4	Consult NORD	Consult NORD	SK73-280TC	SK73-W	39	7.8	48500	52	2.6	36400
38	49800	2.2	46.57	SK93-180LX/4	SK93-180LH/4	Consult NORD	Consult NORD	SK93-280TC	SK93-W	38	7.6	49800	51	2.5	37300
34	55600	1.4	51.51	SK83-180LX/4	SK83-180LH/4	Consult NORD	Consult NORD	SK83-280TC	SK83-W	34	6.8	55600	45	2.3	41700



30 hp Gearmotors & Speed Reducers



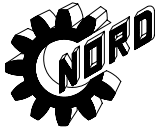
Output Speed n ₂ [rpm]	Output Torque T ₂ [lb-in]	SF f _B	Gear Ratio i	Integral Gearmotor		Gearmotor C-Face		Reducer		5:1 Inverter Duty			20:1 Inverter Duty		
				Standard Motor	EE Motor	Standard Motor	EE Motor	C-Face Input	Solid Input Shaft	[60Hz]	[12Hz]		[80Hz]	[4Hz]	
										n ₆₀ [rpm]	n ₁₂ [rpm]	T ₆₀ [lb-in]	n ₈₀ [rpm]	n ₄ [rpm]	T ₈₀ [lb-in]
33	57300	1.9	53.80	SK93-180LX/4	SK93-180LH/4	Consult NORD	Consult NORD	SK93-280TC	SK93-W	33	6.6	57300	44	2.2	43000
33	57300	3.1	52.98	SK103-180LX/4	SK103-180LH/4	Consult NORD	Consult NORD	SK103-280TC	SK103-W	33	6.6	57300	44	2.2	43000
29	65200	1.2	61.89	SK83-180LX/4	SK83-180LH/4	Consult NORD	Consult NORD	SK83-280TC	SK83-W	29	5.8	65200	39	1.9	48900
29	65200	1.7	61.63	SK93-180LX/4	SK93-180LH/4	Consult NORD	Consult NORD	SK93-280TC	SK93-W	29	5.8	65200	39	1.9	48900
29	65200	2.7	60.71	SK103-180LX/4	SK103-180LH/4	Consult NORD	Consult NORD	SK103-280TC	SK103-W	29	5.8	65200	39	1.9	48900
25	75700	1	70.24	SK83-180LX/4	SK83-180LH/4	Consult NORD	Consult NORD	SK83-280TC	SK83-W	25	5	75700	33	1.7	56800
25	75700	2.3	70.38	SK103-180LX/4	SK103-180LH/4	Consult NORD	Consult NORD	SK103-280TC	SK103-W	25	5	75700	33	1.7	56800
24	78800	1.5	72.47	SK93-180LX/4	SK93-180LH/4	Consult NORD	Consult NORD	SK93-280TC	SK93-W	24	4.8	78800	32	1.6	59100
22	86000	2.1	81.40	SK103-180LX/4	SK103-180LH/4	Consult NORD	Consult NORD	SK103-280TC	SK103-W	22	4.4	86000	29	1.5	64500
19	99600	1.2	93.34	SK93-180LX/4	SK93-180LH/4	Consult NORD	Consult NORD	SK93-280TC	SK93-W	19	3.8	99600	25	1.3	74700



40 hp Gearmotors & Speed Reducers



Output Speed n ₂ [rpm]	Output Torque T ₂ [lb-in]	SF f _B	Gear Ratio i	Integral Gearmotor		Gearmotor C-Face		Reducer		5:1 Inverter Duty			20:1 Inverter Duty		
				Standard Motor	EE Motor	Standard Motor	EE Motor	C-Face Input	Solid Input Shaft	[60Hz]	[12Hz]		[80Hz]	[4Hz]	
										n ₆₀ [rpm]	n ₁₂ [rpm]	T ₆₀ [lb-in]	n ₈₀ [rpm]	n ₄ [rpm]	T ₈₀ [lb-in]
593	4260	3.3	2.97	SK62-200L/4	SK62-200LH/4	Consult NORD	Consult NORD	SK62-320TC	SK62-W	593	119	4260	789	39	3190
584	4320	2.9	3.02	SK972-200L/4	SK972-200LH/4	Consult NORD	Consult NORD	SK972-320TC	SK972-W	584	117	4320	777	39	3240
533	4740	3.2	3.30	SK62-200L/4	SK62-200LH/4	Consult NORD	Consult NORD	SK62-320TC	SK62-W	533	107	4740	709	35	3550
476	5300	2.7	3.70	SK972-200L/4	SK972-200LH/4	Consult NORD	Consult NORD	SK972-320TC	SK972-W	476	95	5300	633	32	3980
473	5330	3	3.72	SK62-200L/4	SK62-200LH/4	Consult NORD	Consult NORD	SK62-320TC	SK62-W	473	95	5330	629	31	4000
450	5600	2.9	3.91	SK62-200L/4	SK62-200LH/4	Consult NORD	Consult NORD	SK62-320TC	SK62-W	450	90	5600	599	30	4200
435	5800	2.9	4.05	SK62-200L/4	SK62-200LH/4	Consult NORD	Consult NORD	SK62-320TC	SK62-W	435	87	5800	579	29	4350
418	6040	2.6	4.23	SK972-200L/4	SK972-200LH/4	Consult NORD	Consult NORD	SK972-320TC	SK972-W	418	84	6040	556	28	4530
386	6530	2.7	4.56	SK62-200L/4	SK62-200LH/4	Consult NORD	Consult NORD	SK62-320TC	SK62-W	386	77	6530	513	26	4900
366	6890	2.4	4.82	SK972-200L/4	SK972-200LH/4	Consult NORD	Consult NORD	SK972-320TC	SK972-W	366	73	6890	487	24	5170
357	7060	2.9	4.93	SK62-200L/4	SK62-200LH/4	Consult NORD	Consult NORD	SK62-320TC	SK62-W	357	71	7060	475	24	5300
333	7580	2.2	5.29	SK62-200L/4	SK62-200LH/4	Consult NORD	Consult NORD	SK62-320TC	SK62-W	333	67	7580	443	22	5680
325	7760	2.1	5.42	SK972-200L/4	SK972-200LH/4	Consult NORD	Consult NORD	SK972-320TC	SK972-W	325	65	7760	432	22	5820
321	7860	2.8	5.48	SK62-200L/4	SK62-200LH/4	Consult NORD	Consult NORD	SK62-320TC	SK62-W	321	64	7860	427	21	5900
314	8040	2.8	5.60	SK72-200L/4	SK72-200LH/4	Consult NORD	Consult NORD	SK72-320TC	SK72-W	314	63	8040	418	21	6030
300	8410	2	5.89	SK972-200L/4	SK972-200LH/4	Consult NORD	Consult NORD	SK972-320TC	SK972-W	300	60	8410	399	20	6310
277	9110	1.9	6.35	SK62-200L/4	SK62-200LH/4	Consult NORD	Consult NORD	SK62-320TC	SK62-W	277	55	9110	368	18	6830
274	9200	2.7	6.42	SK72-200L/4	SK72-200LH/4	Consult NORD	Consult NORD	SK72-320TC	SK72-W	274	55	9200	364	18	6900
262	9630	1.8	6.75	SK972-200L/4	SK972-200LH/4	Consult NORD	Consult NORD	SK972-320TC	SK972-W	262	52	9630	348	17	7220
262	9630	2.6	6.73	SK62-200L/4	SK62-200LH/4	Consult NORD	Consult NORD	SK62-320TC	SK62-W	262	52	9630	348	17	7220
253	9970	3.3	6.95	SK72-200L/4	SK72-200LH/4	Consult NORD	Consult NORD	SK72-320TC	SK72-W	253	51	9970	336	17	7480
233	10800	2.6	7.56	SK62-200L/4	SK62-200LH/4	Consult NORD	Consult NORD	SK62-320TC	SK62-W	233	47	10800	310	15	8120
229	11000	1.6	7.68	SK972-200L/4	SK972-200LH/4	Consult NORD	Consult NORD	SK972-320TC	SK972-W	229	46	11000	305	15	8260
215	11700	3	8.19	SK72-200L/4	SK72-200LH/4	Consult NORD	Consult NORD	SK72-320TC	SK72-W	215	43	11700	286	14	8800
204	12400	1.5	8.64	SK972-200L/4	SK972-200LH/4	Consult NORD	Consult NORD	SK972-320TC	SK972-W	204	41	12400	271	14	9270
200	12600	2.1	8.78	SK62-200L/4	SK62-200LH/4	Consult NORD	Consult NORD	SK62-320TC	SK62-W	200	40	12600	266	13	9460
194	13000	1.4	9.05	SK972-200L/4	SK972-200LH/4	Consult NORD	Consult NORD	SK972-320TC	SK972-W	194	39	13000	258	13	9750
186	13600	2.8	9.46	SK72-200L/4	SK72-200LH/4	Consult NORD	Consult NORD	SK72-320TC	SK72-W	186	37	13600	247	12	10200
168	15000	1.2	10.47	SK972-200L/4	SK972-200LH/4	Consult NORD	Consult NORD	SK972-320TC	SK972-W	168	34	15000	223	11	11300
167	15100	1.8	10.55	SK62-200L/4	SK62-200LH/4	Consult NORD	Consult NORD	SK62-320TC	SK62-W	167	33	15100	222	11	11300
162	15600	2.7	10.84	SK72-200L/4	SK72-200LH/4	Consult NORD	Consult NORD	SK72-320TC	SK72-W	162	32	15600	215	11	11700
152	16600	1.6	11.59	SK62-200L/4	SK62-200LH/4	Consult NORD	Consult NORD	SK62-320TC	SK62-W	152	30	16600	202	10	12400
149	16900	1.1	11.79	SK972-200L/4	SK972-200LH/4	Consult NORD	Consult NORD	SK972-320TC	SK972-W	149	30	16900	198	9.9	12700
142	17800	1.1	12.41	SK972-200L/4	SK972-200LH/4	Consult NORD	Consult NORD	SK972-320TC	SK972-W	142	28	17800	189	9.4	13300
141	17900	2	12.52	SK72-200L/4	SK72-200LH/4	Consult NORD	Consult NORD	SK72-320TC	SK72-W	141	28	17900	188	9.4	13400
126	20000	1	13.96	SK972-200L/4	SK972-200LH/4	Consult NORD	Consult NORD	SK972-320TC	SK972-W	126	25	20000	168	8.4	15000
126	20000	1.4	13.92	SK62-200L/4	SK62-200LH/4	Consult NORD	Consult NORD	SK62-320TC	SK62-W	126	25	20000	168	8.4	15000
123	20500	1.7	14.33	SK72-200L/4	SK72-200LH/4	Consult NORD	Consult NORD	SK72-320TC	SK72-W	123	25	20500	164	8.2	15400
123	20500	2.8	14.29	SK82-200L/4	SK82-200LH/4	Consult NORD	Consult NORD	SK82-320TC	SK82-W	123	25	20500	164	8.2	15400
106	23800	2.4	16.56	SK82-200L/4	SK82-200LH/4	Consult NORD	Consult NORD	SK82-320TC	SK82-W	106	21	23800	141	7	17800
104	24200	1.5	16.86	SK72-200L/4	SK72-200LH/4	Consult NORD	Consult NORD	SK72-320TC	SK72-W	104	21	24200	138	6.9	18200
98	25700	1.7	18.00	SK73-200L/4	SK73-200LH/4	Consult NORD	Consult NORD	SK73-320TC	SK73-W	98	20	25700	130	6.5	19300
85	29700	1.5	20.62	SK73-200L/4	SK73-200LH/4	Consult NORD	Consult NORD	SK73-320TC	SK73-W	85	17	29700	113	5.7	22300
84	30000	2.4	21.04	SK83-200L/4	SK83-200LH/4	Consult NORD	Consult NORD	SK83-320TC	SK83-W	84	17	30000	112	5.6	22500
75	33600	1.3	23.34	SK73-200L/4	SK73-200LH/4	Consult NORD	Consult NORD	SK73-320TC	SK73-W	75	15	33600	100	5	25200
72	35000	2	24.42	SK83-200L/4	SK83-200LH/4	Consult NORD	Consult NORD	SK83-320TC	SK83-W	72	14	35000	96	4.8	26300
65	38800	2.8	27.05	SK93-200L/4	SK93-200LH/4	Consult NORD	Consult NORD	SK93-320TC	SK93-W	65	13	38800	86	4.3	29100
63	40000	1.8	28.03	SK83-200L/4	SK83-200LH/4	Consult NORD	Consult NORD	SK83-320TC	SK83-W	63	13	40000	84	4.2	30000
62	40700	1.1	28.32	SK73-200L/4	SK73-200LH/4	Consult NORD	Consult NORD	SK73-320TC	SK73-W	62	12	40700	82	4.1	30500



40 hp Gearmotors & Speed Reducers



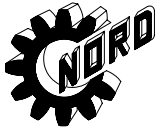
Output Speed n ₂ [rpm]	Output Torque T ₂ [lb-in]	SF f _s	Gear Ratio i	Integral Gearmotor		Gearmotor C-Face		Reducer		5:1 Inverter Duty			20:1 Inverter Duty		
				Standard Motor	EE Motor	Standard Motor	EE Motor	C-Face Input	Solid Input Shaft	[60Hz]	[12Hz]		[80Hz]	[4Hz]	
										n ₆₀ [rpm]	n ₁₂ [rpm]	T ₆₀ [lb-in]	n ₈₀ [rpm]	n ₄ [rpm]	T ₈₀ [lb-in]
56	45000	2.4	31.25	SK93-200L/4	SK93-200LH/4	Consult NORD	Consult NORD	SK93-320TC	SK93-W	56	11	45000	74	3.7	33800
54	46700	1.6	32.52	SK83-200L/4	SK83-200LH/4	Consult NORD	Consult NORD	SK83-320TC	SK83-W	54	11	46700	72	3.6	35000
46	54800	3.2	37.90	SK103-200L/4	SK103-200LH/4	Consult NORD	Consult NORD	SK103-320TC	SK103-W	46	9.2	54800	61	3.1	41100
45	56000	1.4	39.08	SK83-200L/4	SK83-200LH/4	Consult NORD	Consult NORD	SK83-320TC	SK83-W	45	9	56000	60	3	42000
45	56000	1.9	39.54	SK93-200L/4	SK93-200LH/4	Consult NORD	Consult NORD	SK93-320TC	SK93-W	45	9	56000	60	3	42000
40	63000	1.2	44.38	SK83-200L/4	SK83-200LH/4	Consult NORD	Consult NORD	SK83-320TC	SK83-W	40	8	63000	53	2.7	47300
39	64700	2.7	45.25	SK103-200L/4	SK103-200LH/4	Consult NORD	Consult NORD	SK103-320TC	SK103-W	39	7.8	64700	52	2.6	48500
38	66400	1.6	46.57	SK93-200L/4	SK93-200LH/4	Consult NORD	Consult NORD	SK93-320TC	SK93-W	38	7.6	66400	51	2.5	49800
34	74200	1.1	51.51	SK83-200L/4	SK83-200LH/4	Consult NORD	Consult NORD	SK83-320TC	SK83-W	34	6.8	74200	45	2.3	55600
33	76400	1.4	53.80	SK93-200L/4	SK93-200LH/4	Consult NORD	Consult NORD	SK93-320TC	SK93-W	33	6.6	76400	44	2.2	57300
33	76400	2.3	52.98	SK103-200L/4	SK103-200LH/4	Consult NORD	Consult NORD	SK103-320TC	SK103-W	33	6.6	76400	44	2.2	57300
29	87000	1.3	61.63	SK93-200L/4	SK93-200LH/4	Consult NORD	Consult NORD	SK93-320TC	SK93-W	29	5.8	87000	39	1.9	65200
29	87000	2	60.71	SK103-200L/4	SK103-200LH/4	Consult NORD	Consult NORD	SK103-320TC	SK103-W	29	5.8	87000	39	1.9	65200
25	100900	1.8	70.38	SK103-200L/4	SK103-200LH/4	Consult NORD	Consult NORD	SK103-320TC	SK103-W	25	5	100900	33	1.7	75700
24	105100	1.1	72.47	SK93-200L/4	SK93-200LH/4	Consult NORD	Consult NORD	SK93-320TC	SK93-W	24	4.8	105100	32	1.6	78800
22	114600	1.6	81.40	SK103-200L/4	SK103-200LH/4	Consult NORD	Consult NORD	SK103-320TC	SK103-W	22	4.4	114600	29	1.5	86000



50 hp Gearmotors & Speed Reducers



Output Speed n_2 [rpm]	Output Torque T_2 [lb-in]	SF f_B	Gear Ratio i	Integral Gearmotor		Gearmotor C-Face		Reducer		5:1 Inverter Duty			20:1 Inverter Duty		
				Standard Motor	EE Motor	Standard Motor	EE Motor	C-Face Input	Solid Input Shaft	[60Hz]	[12Hz]		[80Hz]	[4Hz]	
										n_{60} [rpm]	n_{12} [rpm]	T_{60} [lb-in]	n_{80} [rpm]	n_4 [rpm]	T_{80} [lb-in]
594	5310	2.6	2.97	SK62-225S/4	SK62-225SH/4	Consult NORD	Consult NORD	SK62-320TC	SK62-W	594	119	5310	790	40	3980
584	5400	2.3	3.02	SK972-225S/4	SK972-225SH/4	Consult NORD	Consult NORD	SK972-320TC	SK972-W	584	117	5400	777	39	4050
535	5890	2.5	3.30	SK62-225S/4	SK62-225SH/4	Consult NORD	Consult NORD	SK62-320TC	SK62-W	535	107	5890	712	36	4420
476	6620	2.2	3.70	SK972-225S/4	SK972-225SH/4	Consult NORD	Consult NORD	SK972-320TC	SK972-W	476	95	6620	633	32	4970
474	6660	2.4	3.72	SK62-225S/4	SK62-225SH/4	Consult NORD	Consult NORD	SK62-320TC	SK62-W	474	95	6660	630	32	4990
451	6990	2.3	3.91	SK62-225S/4	SK62-225SH/4	Consult NORD	Consult NORD	SK62-320TC	SK62-W	451	90	6990	600	30	5250
436	7230	2.3	4.05	SK62-225S/4	SK62-225SH/4	Consult NORD	Consult NORD	SK62-320TC	SK62-W	436	87	7230	580	29	5420
418	7540	2.1	4.23	SK972-225S/4	SK972-225SH/4	Consult NORD	Consult NORD	SK972-320TC	SK972-W	418	84	7540	556	28	5660
387	8140	2.2	4.56	SK62-225S/4	SK62-225SH/4	Consult NORD	Consult NORD	SK62-320TC	SK62-W	387	77	8140	515	26	6110
366	8610	1.9	4.82	SK972-225S/4	SK972-225SH/4	Consult NORD	Consult NORD	SK972-320TC	SK972-W	366	73	8610	487	24	6460
358	8810	2.3	4.93	SK62-225S/4	SK62-225SH/4	Consult NORD	Consult NORD	SK62-320TC	SK62-W	358	72	8810	476	24	6610
334	9440	1.8	5.29	SK62-225S/4	SK62-225SH/4	Consult NORD	Consult NORD	SK62-320TC	SK62-W	334	67	9440	444	22	7080
325	9700	1.7	5.42	SK972-225S/4	SK972-225SH/4	Consult NORD	Consult NORD	SK972-320TC	SK972-W	325	65	9700	432	22	7280
322	9790	2.2	5.48	SK62-225S/4	SK62-225SH/4	Consult NORD	Consult NORD	SK62-320TC	SK62-W	322	64	9790	428	21	7340
315	10000	2.3	5.60	SK72-225S/4	SK72-225SH/4	Consult NORD	Consult NORD	SK72-320TC	SK72-W	315	63	10000	419	21	7510
300	10500	1.6	5.89	SK972-225S/4	SK972-225SH/4	Consult NORD	Consult NORD	SK972-320TC	SK972-W	300	60	10500	399	20	7880
278	11300	1.5	6.35	SK62-225S/4	SK62-225SH/4	Consult NORD	Consult NORD	SK62-320TC	SK62-W	278	56	11300	370	18	8500
275	11500	2.1	6.42	SK72-225S/4	SK72-225SH/4	Consult NORD	Consult NORD	SK72-320TC	SK72-W	275	55	11500	366	18	8600
262	12000	1.5	6.75	SK972-225S/4	SK972-225SH/4	Consult NORD	Consult NORD	SK972-320TC	SK972-W	262	52	12000	348	17	9030
262	12000	2.1	6.73	SK62-225S/4	SK62-225SH/4	Consult NORD	Consult NORD	SK62-320TC	SK62-W	262	52	12000	348	17	9030
254	12400	2.6	6.95	SK72-225S/4	SK72-225SH/4	Consult NORD	Consult NORD	SK72-320TC	SK72-W	254	51	12400	338	17	9310
233	13500	2	7.56	SK62-225S/4	SK62-225SH/4	Consult NORD	Consult NORD	SK62-320TC	SK62-W	233	47	13500	310	15	10200
229	13800	1.3	7.68	SK972-225S/4	SK972-225SH/4	Consult NORD	Consult NORD	SK972-320TC	SK972-W	229	46	13800	305	15	10300
216	14600	2.4	8.19	SK72-225S/4	SK72-225SH/4	Consult NORD	Consult NORD	SK72-320TC	SK72-W	216	43	14600	287	14	10900
204	15500	1.2	8.64	SK972-225S/4	SK972-225SH/4	Consult NORD	Consult NORD	SK972-320TC	SK972-W	204	41	15500	271	14	11600
201	15700	1.7	8.78	SK62-225S/4	SK62-225SH/4	Consult NORD	Consult NORD	SK62-320TC	SK62-W	201	40	15700	267	13	11800
194	16200	1.1	9.05	SK972-225S/4	SK972-225SH/4	Consult NORD	Consult NORD	SK972-320TC	SK972-W	194	39	16200	258	13	12200
187	16900	2.3	9.46	SK72-225S/4	SK72-225SH/4	Consult NORD	Consult NORD	SK72-320TC	SK72-W	187	37	16900	249	12	12600
171	18400	2.5	10.33	SK82-225S/4	SK82-225SH/4	Consult NORD	Consult NORD	SK82-320TC	SK82-W	171	34	18400	227	11	13800
168	18800	1	10.47	SK972-225S/4	SK972-225SH/4	Consult NORD	Consult NORD	SK972-320TC	SK972-W	168	34	18800	223	11	14100
167	18900	1.5	10.55	SK62-225S/4	SK62-225SH/4	Consult NORD	Consult NORD	SK62-320TC	SK62-W	167	33	18900	222	11	14200
163	19300	2.1	10.84	SK72-225S/4	SK72-225SH/4	Consult NORD	Consult NORD	SK72-320TC	SK72-W	163	33	19300	217	11	14500
152	20700	1.3	11.59	SK62-225S/4	SK62-225SH/4	Consult NORD	Consult NORD	SK62-320TC	SK62-W	152	30	20700	202	10	15600
149	21200	2.4	11.84	SK82-225S/4	SK82-225SH/4	Consult NORD	Consult NORD	SK82-320TC	SK82-W	149	30	21200	198	9.9	15900
141	22400	1.6	12.52	SK72-225S/4	SK72-225SH/4	Consult NORD	Consult NORD	SK72-320TC	SK72-W	141	28	22400	188	9.4	16800
127	24800	1.1	13.92	SK62-225S/4	SK62-225SH/4	Consult NORD	Consult NORD	SK62-320TC	SK62-W	127	25	24800	169	8.4	18600
124	25400	2.3	14.29	SK82-225S/4	SK82-225SH/4	Consult NORD	Consult NORD	SK82-320TC	SK82-W	124	25	25400	165	8.2	19100
123	25600	1.4	14.33	SK72-225S/4	SK72-225SH/4	Consult NORD	Consult NORD	SK72-320TC	SK72-W	123	25	25600	164	8.2	19200
107	29500	2	16.56	SK82-225S/4	SK82-225SH/4	Consult NORD	Consult NORD	SK82-320TC	SK82-W	107	21	29500	142	7.1	22100
105	30000	1.2	16.86	SK72-225S/4	SK72-225SH/4	Consult NORD	Consult NORD	SK72-320TC	SK72-W	105	21	30000	140	7	22500
98	32200	1.4	18.00	SK73-225S/4	SK73-225SH/4	Consult NORD	Consult NORD	SK73-320TC	SK73-W	98	20	32200	130	6.5	24100
92	34300	2.8	19.12	SK93-225S/4	SK93-225SH/4	Consult NORD	Consult NORD	SK93-320TC	SK93-W	92	18	34300	122	6.1	25700
86	36700	1.2	20.62	SK73-225S/4	SK73-225SH/4	Consult NORD	Consult NORD	SK73-320TC	SK73-W	86	17	36700	114	5.7	27500
84	37500	1.9	21.04	SK83-225S/4	SK83-225SH/4	Consult NORD	Consult NORD	SK83-320TC	SK83-W	84	17	37500	112	5.6	28200
83	38000	2.9	21.19	SK103-225S/4	SK103-225SH/4	Consult NORD	Consult NORD	SK103-320TC	SK103-W	83	17	38000	110	5.5	28500
77	40900	2.6	22.97	SK93-225S/4	SK93-225SH/4	Consult NORD	Consult NORD	SK93-320TC	SK93-W	77	15	40900	102	5.1	30700
76	41500	1.1	23.34	SK73-225S/4	SK73-225SH/4	Consult NORD	Consult NORD	SK73-320TC	SK73-W	76	15	41500	101	5.1	31100
72	43800	1.6	24.42	SK83-225S/4	SK83-225SH/4	Consult NORD	Consult NORD	SK83-320TC	SK83-W	72	14	43800	96	4.8	32800
70	45000	2.7	25.30	SK103-225S/4	SK103-225SH/4	Consult NORD	Consult NORD	SK103-320TC	SK103-W	70	14	45000	93	4.7	33800



50 hp Gearmotors & Speed Reducers



Output Speed n ₂ [rpm]	Output Torque T ₂ [lb-in]	SF f _B	Gear Ratio i	Integral Gearmotor		Gearmotor C-Face		Reducer		5:1 Inverter Duty			20:1 Inverter Duty		
				Standard Motor	EE Motor	Standard Motor	EE Motor	C-Face Input	Solid Input Shaft	[60Hz]	[12Hz]	T ₆₀ [lb-in]	[80Hz]	[4Hz]	T ₈₀ [lb-in]
										n ₆₀ [rpm]	n ₁₂ [rpm]		n ₈₀ [rpm]	n ₄ [rpm]	
65	48500	2.2	27.05	SK93-225S/4	SK93-225SH/4	Consult NORD	Consult NORD	SK93-320TC	SK93-W	65	13	48500	86	4.3	36400
63	50000	1.4	28.03	SK83-225S/4	SK83-225SH/4	Consult NORD	Consult NORD	SK83-320TC	SK83-W	63	13	50000	84	4.2	37500
60	52500	2.6	29.62	SK103-225S/4	SK103-225SH/4	Consult NORD	Consult NORD	SK103-320TC	SK103-W	60	12	52500	80	4	39400
56	56300	1.9	31.25	SK93-225S/4	SK93-225SH/4	Consult NORD	Consult NORD	SK93-320TC	SK93-W	56	11	56300	74	3.7	42200
54	58400	1.3	32.52	SK83-225S/4	SK83-225SH/4	Consult NORD	Consult NORD	SK83-320TC	SK83-W	54	11	58400	72	3.6	43800
47	67100	2.6	37.90	SK103-225S/4	SK103-225SH/4	Consult NORD	Consult NORD	SK103-320TC	SK103-W	47	9.4	67100	63	3.1	50300
45	70100	1.1	39.08	SK83-225S/4	SK83-225SH/4	Consult NORD	Consult NORD	SK83-320TC	SK83-W	45	9	70100	60	3	52600
45	70100	1.5	39.54	SK93-225S/4	SK93-225SH/4	Consult NORD	Consult NORD	SK93-320TC	SK93-W	45	9	70100	60	3	52600
40	78800	1	44.38	SK83-225S/4	SK83-225SH/4	Consult NORD	Consult NORD	SK83-320TC	SK83-W	40	8	78800	53	2.7	59100
39	80800	2.2	45.25	SK103-225S/4	SK103-225SH/4	Consult NORD	Consult NORD	SK103-320TC	SK103-W	39	7.8	80800	52	2.6	60600
38	83000	1.3	46.57	SK93-225S/4	SK93-225SH/4	Consult NORD	Consult NORD	SK93-320TC	SK93-W	38	7.6	83000	51	2.5	62200
33	95500	1.1	53.80	SK93-225S/4	SK93-225SH/4	Consult NORD	Consult NORD	SK93-320TC	SK93-W	33	6.6	95500	44	2.2	71700
33	95500	1.9	52.98	SK103-225S/4	SK103-225SH/4	Consult NORD	Consult NORD	SK103-320TC	SK103-W	33	6.6	95500	44	2.2	71700
29	108700	1	61.63	SK93-225S/4	SK93-225SH/4	Consult NORD	Consult NORD	SK93-320TC	SK93-W	29	5.8	108700	39	1.9	81500
29	108700	1.6	60.71	SK103-225S/4	SK103-225SH/4	Consult NORD	Consult NORD	SK103-320TC	SK103-W	29	5.8	108700	39	1.9	81500
25	126100	1.4	70.38	SK103-225S/4	SK103-225SH/4	Consult NORD	Consult NORD	SK103-320TC	SK103-W	25	5	126100	33	1.7	94600
22	143300	1.3	81.40	SK103-225S/4	SK103-225SH/4	Consult NORD	Consult NORD	SK103-320TC	SK103-W	22	4.4	143300	29	1.5	107500



60 hp Gearmotors & Speed Reducers



Output Speed n_2 [rpm]	Output Torque T_2 [lb-in]	SF f_B	Gear Ratio i	Integral Gearmotor		Gearmotor C-Face		Reducer		5:1 Inverter Duty			20:1 Inverter Duty		
				Standard Motor	EE Motor	Standard Motor	EE Motor	C-Face Input	Solid Input Shaft	[60Hz]	[12Hz]		[80Hz]	[4Hz]	
										n_{60} [rpm]	n_{12} [rpm]	T_{60} [lb-in]	n_{80} [rpm]	n_4 [rpm]	T_{80} [lb-in]
593	6380	2.7	2.97	SK62-225M/4	SK62-225MH/4	Consult NORD	Consult NORD	SK62-360TC	SK62-W	593	119	6380	789	39	4790
533	7100	2.5	3.30	SK62-225M/4	SK62-225MH/4	Consult NORD	Consult NORD	SK62-360TC	SK62-W	533	107	7100	709	35	5320
473	8000	2.2	3.72	SK62-225M/4	SK62-225MH/4	Consult NORD	Consult NORD	SK62-360TC	SK62-W	473	95	8000	629	31	6000
450	8410	2.1	3.91	SK62-225M/4	SK62-225MH/4	Consult NORD	Consult NORD	SK62-360TC	SK62-W	450	90	8410	599	30	6310
435	8700	1.9	4.05	SK62-225M/4	SK62-225MH/4	Consult NORD	Consult NORD	SK62-360TC	SK62-W	435	87	8700	579	29	6530
427	8860	2.7	4.12	SK72-225M/4	SK72-225MH/4	Consult NORD	Consult NORD	SK72-360TC	SK72-W	427	85	8860	568	28	6650
386	9800	1.9	4.56	SK62-225M/4	SK62-225MH/4	Consult NORD	Consult NORD	SK62-360TC	SK62-W	386	77	9800	513	26	7350
363	10400	2.5	4.85	SK72-225M/4	SK72-225MH/4	Consult NORD	Consult NORD	SK72-360TC	SK72-W	363	73	10400	483	24	7820
357	10600	1.9	4.93	SK62-225M/4	SK62-225MH/4	Consult NORD	Consult NORD	SK62-360TC	SK62-W	357	71	10600	475	24	7950
333	11400	1.5	5.29	SK62-225M/4	SK62-225MH/4	Consult NORD	Consult NORD	SK62-360TC	SK62-W	333	67	11400	443	22	8520
321	11800	1.9	5.48	SK62-225M/4	SK62-225MH/4	Consult NORD	Consult NORD	SK62-360TC	SK62-W	321	64	11800	427	21	8840
314	12000	2.1	5.60	SK72-225M/4	SK72-225MH/4	Consult NORD	Consult NORD	SK72-360TC	SK72-W	314	63	12000	418	21	9040
284	13300	2.9	6.19	SK82-225M/4	SK82-225MH/4	Consult NORD	Consult NORD	SK82-360TC	SK82-W	284	57	13300	378	19	9990
274	13800	1.8	6.42	SK72-225M/4	SK72-225MH/4	Consult NORD	Consult NORD	SK72-360TC	SK72-W	274	55	13800	364	18	10400
262	14400	1.8	6.73	SK62-225M/4	SK62-225MH/4	Consult NORD	Consult NORD	SK62-360TC	SK62-W	262	52	14400	348	17	10800
253	15000	2.5	6.95	SK72-225M/4	SK72-225MH/4	Consult NORD	Consult NORD	SK72-360TC	SK72-W	253	51	15000	336	17	11200
238	15900	3.5	7.39	SK82-225M/4	SK82-225MH/4	Consult NORD	Consult NORD	SK82-360TC	SK82-W	238	48	15900	317	16	11900
233	16200	1.7	7.56	SK62-225M/4	SK62-225MH/4	Consult NORD	Consult NORD	SK62-360TC	SK62-W	233	47	16200	310	15	12200
215	17600	2.3	8.19	SK72-225M/4	SK72-225MH/4	Consult NORD	Consult NORD	SK72-360TC	SK72-W	215	43	17600	286	14	13200
200	18900	1.4	8.78	SK62-225M/4	SK62-225MH/4	Consult NORD	Consult NORD	SK62-360TC	SK62-W	200	40	18900	266	13	14200
200	18900	3.1	8.82	SK82-225M/4	SK82-225MH/4	Consult NORD	Consult NORD	SK82-360TC	SK82-W	200	40	18900	266	13	14200
186	20300	2	9.46	SK72-225M/4	SK72-225MH/4	Consult NORD	Consult NORD	SK72-360TC	SK72-W	186	37	20300	247	12	15300
170	22200	2.7	10.33	SK82-225M/4	SK82-225MH/4	Consult NORD	Consult NORD	SK82-360TC	SK82-W	170	34	22200	226	11	16700
162	23400	1.8	10.84	SK72-225M/4	SK72-225MH/4	Consult NORD	Consult NORD	SK72-360TC	SK72-W	162	32	23400	215	11	17500
152	24900	1.1	11.59	SK62-225M/4	SK62-225MH/4	Consult NORD	Consult NORD	SK62-360TC	SK62-W	152	30	24900	202	10	18700
149	25400	2.5	11.84	SK82-225M/4	SK82-225MH/4	Consult NORD	Consult NORD	SK82-360TC	SK82-W	149	30	25400	198	9.9	19000
142	26600	3.5	12.39	SK92-225M/4	SK92-225MH/4	Consult NORD	Consult NORD	SK92-360TC	SK92-W	142	28	26600	189	9.4	20000
141	26800	1.3	12.52	SK72-225M/4	SK72-225MH/4	Consult NORD	Consult NORD	SK72-360TC	SK72-W	141	28	26800	188	9.4	20100
123	30800	1.2	14.33	SK72-225M/4	SK72-225MH/4	Consult NORD	Consult NORD	SK72-360TC	SK72-W	123	25	30800	164	8.2	23100
123	30800	1.9	14.29	SK82-225M/4	SK82-225MH/4	Consult NORD	Consult NORD	SK82-360TC	SK82-W	123	25	30800	164	8.2	23100
123	30800	3.1	14.36	SK92-225M/4	SK92-225MH/4	Consult NORD	Consult NORD	SK92-360TC	SK92-W	123	25	30800	164	8.2	23100
107	35400	2.7	16.47	SK92-225M/4	SK92-225MH/4	Consult NORD	Consult NORD	SK92-360TC	SK92-W	107	21	35400	142	7.1	26500
106	35700	1.6	16.56	SK82-225M/4	SK82-225MH/4	Consult NORD	Consult NORD	SK82-360TC	SK82-W	106	21	35700	141	7	26800
98	38600	1.1	18.00	SK73-225M/4	SK73-225MH/4	Consult NORD	Consult NORD	SK73-360TC	SK73-W	98	20	38600	130	6.5	29000
92	41100	2.6	19.12	SK93-225M/4	SK93-225MH/4	Consult NORD	Consult NORD	SK93-360TC	SK93-W	92	18	41100	122	6.1	30800
85	44500	1	20.62	SK73-225M/4	SK73-225MH/4	Consult NORD	Consult NORD	SK73-360TC	SK73-W	85	17	44500	113	5.7	33400
84	45000	1.6	21.04	SK83-225M/4	SK83-225MH/4	Consult NORD	Consult NORD	SK83-360TC	SK83-W	84	17	45000	112	5.6	33800
83	45600	3.9	21.19	SK103-225M/4	SK103-225MH/4	Consult NORD	Consult NORD	SK103-360TC	SK103-W	83	17	45600	110	5.5	34200
77	49100	2.2	22.97	SK93-225M/4	SK93-225MH/4	Consult NORD	Consult NORD	SK93-360TC	SK93-W	77	15	49100	102	5.1	36900
72	52500	1.3	24.42	SK83-225M/4	SK83-225MH/4	Consult NORD	Consult NORD	SK83-360TC	SK83-W	72	14	52500	96	4.8	39400
70	54000	3.3	25.30	SK103-225M/4	SK103-225MH/4	Consult NORD	Consult NORD	SK103-360TC	SK103-W	70	14	54000	93	4.7	40500
65	58200	1.9	27.05	SK93-225M/4	SK93-225MH/4	Consult NORD	Consult NORD	SK93-360TC	SK93-W	65	13	58200	86	4.3	43700
63	60000	1.2	28.03	SK83-225M/4	SK83-225MH/4	Consult NORD	Consult NORD	SK83-360TC	SK83-W	63	13	60000	84	4.2	45000
59	64100	2.8	29.62	SK103-225M/4	SK103-225MH/4	Consult NORD	Consult NORD	SK103-360TC	SK103-W	59	12	64100	78	3.9	48100
56	67600	1.6	31.25	SK93-225M/4	SK93-225MH/4	Consult NORD	Consult NORD	SK93-360TC	SK93-W	56	11	67600	74	3.7	50700
54	70100	1.1	32.52	SK83-225M/4	SK83-225MH/4	Consult NORD	Consult NORD	SK83-360TC	SK83-W	54	11	70100	72	3.6	52600
46	82200	2.2	37.90	SK103-225M/4	SK103-225MH/4	Consult NORD	Consult NORD	SK103-360TC	SK103-W	46	9.2	82200	61	3.1	61700
45	84100	1.3	39.54	SK93-225M/4	SK93-225MH/4	Consult NORD	Consult NORD	SK93-360TC	SK93-W	45	9	84100	60	3	63100
39	97000	1.8	45.25	SK103-225M/4	SK103-225MH/4	Consult NORD	Consult NORD	SK103-360TC	SK103-W	39	7.8	97000	52	2.6	72800



60 hp Gearmotors & Speed Reducers



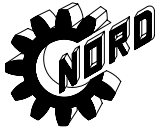
Output Speed n_2 [rpm]	Output Torque T_2 [lb-in]	SF f_B	Gear Ratio i	Integral Gearmotor		Gearmotor C-Face		Reducer		5:1 Inverter Duty			20:1 Inverter Duty			
				Standard Motor	EE Motor	Standard Motor	EE Motor	C-Face Input	Solid Input Shaft	[60Hz]		[12Hz]		[80Hz]		
										n_{60} [rpm]	T_{60} [lb-in]	n_{12} [rpm]	T_{12} [lb-in]	n_{80} [rpm]	n_4 [rpm]	T_{80} [lb-in]
38	99600	1.1	46.57	SK93-225M/4	SK93-225MH/4	Consult NORD	Consult NORD	SK93-360TC	SK93-W	38	7.6	99600	51	2.5	74700	
33	114600	1.5	52.98	SK103-225M/4	SK103-225MH/4	Consult NORD	Consult NORD	SK103-360TC	SK103-W	33	6.6	114600	44	2.2	86000	
29	130400	1.4	60.71	SK103-225M/4	SK103-225MH/4	Consult NORD	Consult NORD	SK103-360TC	SK103-W	29	5.8	130400	39	1.9	97900	
25	151300	1.2	70.38	SK103-225M/4	SK103-225MH/4	Consult NORD	Consult NORD	SK103-360TC	SK103-W	25	5	151300	33	1.7	113500	



75 hp Gearmotors & Speed Reducers



Output Speed n_2 [rpm]	Output Torque T_2 [lb-in]	SF f_B	Gear Ratio i	Integral Gearmotor		Gearmotor C-Face		Reducer		5:1 Inverter Duty			20:1 Inverter Duty		
				Standard Motor	EE Motor	Standard Motor	EE Motor	C-Face Input	Solid Input Shaft	[60Hz]	[12Hz]		[80Hz]	[4Hz]	
										n_{60} [rpm]	n_{12} [rpm]	T_{60} [lb-in]	n_{80} [rpm]	n_4 [rpm]	T_{80} [lb-in]
609	7760	3.6	2.89	SK82-250M/4	SK82-250MH/4	Consult NORD	Consult NORD	SK82-360TC	SK82-W	609	122	7760	810	40	5820
397	11900	3.2	4.43	SK82-250M/4	SK82-250MH/4	Consult NORD	Consult NORD	SK82-360TC	SK82-W	397	79	11900	528	26	8940
333	14200	3	5.29	SK82-250M/4	SK82-250MH/4	Consult NORD	Consult NORD	SK82-360TC	SK82-W	333	67	14200	443	22	10700
284	16600	2.3	6.19	SK82-250M/4	SK82-250MH/4	Consult NORD	Consult NORD	SK82-360TC	SK82-W	284	57	16600	378	19	12500
238	19900	2.8	7.39	SK82-250M/4	SK82-250MH/4	Consult NORD	Consult NORD	SK82-360TC	SK82-W	238	48	19900	317	16	14900
200	23600	2.5	8.82	SK82-250M/4	SK82-250MH/4	Consult NORD	Consult NORD	SK82-360TC	SK82-W	200	40	23600	266	13	17700
170	27800	2.2	10.33	SK82-250M/4	SK82-250MH/4	Consult NORD	Consult NORD	SK82-360TC	SK82-W	170	34	27800	226	11	20900
149	31700	2	11.84	SK82-250M/4	SK82-250MH/4	Consult NORD	Consult NORD	SK82-360TC	SK82-W	149	30	31700	198	9.9	23800
142	33300	2.8	12.39	SK92-250M/4	SK92-250MH/4	Consult NORD	Consult NORD	SK92-360TC	SK92-W	142	28	33300	189	9.4	25000
123	38400	1.5	14.29	SK82-250M/4	SK82-250MH/4	Consult NORD	Consult NORD	SK82-360TC	SK82-W	123	25	38400	164	8.2	28800
123	38400	2.5	14.36	SK92-250M/4	SK92-250MH/4	Consult NORD	Consult NORD	SK92-360TC	SK92-W	123	25	38400	164	8.2	28800
107	44200	2.1	16.47	SK92-250M/4	SK92-250MH/4	Consult NORD	Consult NORD	SK92-360TC	SK92-W	107	21	44200	142	7.1	33200
106	44600	1.3	16.56	SK82-250M/4	SK82-250MH/4	Consult NORD	Consult NORD	SK82-360TC	SK82-W	106	21	44600	141	7	33500
92	51400	2.1	19.12	SK93-250M/4	SK93-250MH/4	Consult NORD	Consult NORD	SK93-360TC	SK93-W	92	18	51400	122	6.1	38600
83	57000	3.1	21.19	SK103-250M/4	SK103-250MH/4	Consult NORD	Consult NORD	SK103-360TC	SK103-W	83	17	57000	110	5.5	42700
77	61400	1.8	22.97	SK93-250M/4	SK93-250MH/4	Consult NORD	Consult NORD	SK93-360TC	SK93-W	77	15	61400	102	5.1	46100
70	67600	2.6	25.30	SK103-250M/4	SK103-250MH/4	Consult NORD	Consult NORD	SK103-360TC	SK103-W	70	14	67600	93	4.7	50700
65	72700	1.5	27.05	SK93-250M/4	SK93-250MH/4	Consult NORD	Consult NORD	SK93-360TC	SK93-W	65	13	72700	86	4.3	54600
59	80100	2.2	29.62	SK103-250M/4	SK103-250MH/4	Consult NORD	Consult NORD	SK103-360TC	SK103-W	59	12	80100	78	3.9	60100
56	84400	1.3	31.25	SK93-250M/4	SK93-250MH/4	Consult NORD	Consult NORD	SK93-360TC	SK93-W	56	11	84400	74	3.7	63300
46	102800	1.7	37.90	SK103-250M/4	SK103-250MH/4	Consult NORD	Consult NORD	SK103-360TC	SK103-W	46	9.2	102800	61	3.1	77100
45	105100	1	39.54	SK93-250M/4	SK93-250MH/4	Consult NORD	Consult NORD	SK93-360TC	SK93-W	45	9	105100	60	3	78800
39	121300	1.5	45.25	SK103-250M/4	SK103-250MH/4	Consult NORD	Consult NORD	SK103-360TC	SK103-W	39	7.8	121300	52	2.6	91000
33	143300	1.2	52.98	SK103-250M/4	SK103-250MH/4	Consult NORD	Consult NORD	SK103-360TC	SK103-W	33	6.6	143300	44	2.2	107500
29	163100	1.1	60.71	SK103-250M/4	SK103-250MH/4	Consult NORD	Consult NORD	SK103-360TC	SK103-W	29	5.8	163100	39	1.9	122300



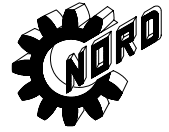
100 hp Gearmotors & Speed Reducers



Output Speed n_2 [rpm]	Output Torque T_2 [lb-in]	SF f_B	Gear Ratio i	Integral Gearmotor		Gearmotor C-Face		Reducer		5:1 Inverter Duty			20:1 Inverter Duty		
				Standard Motor	EE Motor	Standard Motor	EE Motor	C-Face Input	Solid Input Shaft	[60Hz]	[12Hz]	T_{60} [lb-in]	[80Hz]	[4Hz]	T_{80} [lb-in]
										n_{60} [rpm]	n_{12} [rpm]		n_{80} [rpm]	n_4 [rpm]	
612	10300	2.7	2.89	SK82-280S/4	SK82-280SH/4	Consult NORD	Consult NORD	Consult NORD	SK82-W	612	122	10300	814	41	7730
400	15800	2.4	4.43	SK82-280S/4	SK82-280SH/4	Consult NORD	Consult NORD	Consult NORD	SK82-W	400	80	15800	532	27	11800
335	18800	2.2	5.29	SK82-280S/4	SK82-280SH/4	Consult NORD	Consult NORD	Consult NORD	SK82-W	335	67	18800	446	22	14100
312	20200	2.5	5.68	SK92-280S/4	SK92-280SH/4	Consult NORD	Consult NORD	Consult NORD	SK92-W	312	62	20200	415	21	15200
286	22000	1.7	6.19	SK82-280S/4	SK82-280SH/4	Consult NORD	Consult NORD	Consult NORD	SK82-W	286	57	22000	380	19	16500
264	23900	2.4	6.70	SK92-280S/4	SK92-280SH/4	Consult NORD	Consult NORD	Consult NORD	SK92-W	264	53	23900	351	18	17900
240	26300	2.1	7.39	SK82-280S/4	SK82-280SH/4	Consult NORD	Consult NORD	Consult NORD	SK82-W	240	48	26300	319	16	19700
228	27700	1.9	7.78	SK92-280S/4	SK92-280SH/4	Consult NORD	Consult NORD	Consult NORD	SK92-W	228	46	27700	303	15	20700
201	31400	1.9	8.82	SK82-280S/4	SK82-280SH/4	Consult NORD	Consult NORD	Consult NORD	SK82-W	201	40	31400	267	13	23500
171	36900	1.6	10.33	SK82-280S/4	SK82-280SH/4	Consult NORD	Consult NORD	Consult NORD	SK82-W	171	34	36900	227	11	27700
169	37300	2.4	10.50	SK92-280S/4	SK92-280SH/4	Consult NORD	Consult NORD	Consult NORD	SK92-W	169	34	37300	225	11	28000
149	42300	1.5	11.84	SK82-280S/4	SK82-280SH/4	Consult NORD	Consult NORD	Consult NORD	SK82-W	149	30	42300	198	9.9	31700
143	44100	2.1	12.39	SK92-280S/4	SK92-280SH/4	Consult NORD	Consult NORD	Consult NORD	SK92-W	143	29	44100	190	9.5	33100
124	50800	1.1	14.29	SK82-280S/4	SK82-280SH/4	Consult NORD	Consult NORD	Consult NORD	SK82-W	124	25	50800	165	8.2	38100
123	51300	1.9	14.36	SK92-280S/4	SK92-280SH/4	Consult NORD	Consult NORD	Consult NORD	SK92-W	123	25	51300	164	8.2	38500
107	58900	1	16.56	SK82-280S/4	SK82-280SH/4	Consult NORD	Consult NORD	Consult NORD	SK82-W	107	21	58900	142	7.1	44200
107	58900	1.6	16.47	SK92-280S/4	SK92-280SH/4	Consult NORD	Consult NORD	Consult NORD	SK92-W	107	21	58900	142	7.1	44200
93	67800	1.6	19.12	SK93-280S/4	SK93-280SH/4	Consult NORD	Consult NORD	Consult NORD	SK93-W	93	19	67800	124	6.2	50900
84	75100	2.4	21.19	SK103-280S/4	SK103-280SH/4	Consult NORD	Consult NORD	Consult NORD	SK103-W	84	17	75100	112	5.6	56300
77	81900	1.3	22.97	SK93-280S/4	SK93-280SH/4	Consult NORD	Consult NORD	Consult NORD	SK93-W	77	15	81900	102	5.1	61400
70	90100	2	25.30	SK103-280S/4	SK103-280SH/4	Consult NORD	Consult NORD	Consult NORD	SK103-W	70	14	90100	93	4.7	67600
65	97000	1.1	27.05	SK93-280S/4	SK93-280SH/4	Consult NORD	Consult NORD	Consult NORD	SK93-W	65	13	97000	86	4.3	72800
60	105100	1.7	29.62	SK103-280S/4	SK103-280SH/4	Consult NORD	Consult NORD	Consult NORD	SK103-W	60	12	105100	80	4	78800
57	110600	1	31.25	SK93-280S/4	SK93-280SH/4	Consult NORD	Consult NORD	Consult NORD	SK93-W	57	11	110600	76	3.8	83000
47	134100	1.3	37.90	SK103-280S/4	SK103-280SH/4	Consult NORD	Consult NORD	Consult NORD	SK103-W	47	9.4	134100	63	3.1	100600
39	161700	1.1	45.25	SK103-280S/4	SK103-280SH/4	Consult NORD	Consult NORD	Consult NORD	SK103-W	39	7.8	161700	52	2.6	121300



125 hp Gearmotors & Speed Reducers



Output Speed n_2 [rpm]	Output Torque T_2 [lb-in]	SF f_B	Gear Ratio i	Integral Gearmotor		Gearmotor C-Face		Reducer		5:1 Inverter Duty			20:1 Inverter Duty		
				Standard Motor	EE Motor	Standard Motor	EE Motor	C-Face Input	Solid Input Shaft	n_{60} [rpm]	n_{12} [rpm]	T_{60} [lb-in]	n_{80} [rpm]	n_4 [rpm]	T_{80} [lb-in]
506	15600	3.1	3.51	SK92-280M/4	SK92-280MH/4	Consult NORD	Consult NORD	Consult NORD	SK92-W	506	101	15600	673	34	11700
312	25300	2.5	5.68	SK92-280M/4	SK92-280MH/4	Consult NORD	Consult NORD	Consult NORD	SK92-W	312	62	25300	415	21	18900
265	29700	2.1	6.70	SK92-280M/4	SK92-280MH/4	Consult NORD	Consult NORD	Consult NORD	SK92-W	265	53	29700	352	18	22300
237	33300	2.8	7.50	SK102-280M/4	SK102-280MH/4	Consult NORD	Consult NORD	Consult NORD	SK102-W	237	47	33300	315	16	24900
228	34600	1.6	7.78	SK92-280M/4	SK92-280MH/4	Consult NORD	Consult NORD	Consult NORD	SK92-W	228	46	34600	303	15	25900
178	44300	3	9.96	SK102-280M/4	SK102-280MH/4	Consult NORD	Consult NORD	Consult NORD	SK102-W	178	36	44300	237	12	33200
169	46600	1.9	10.50	SK92-280M/4	SK92-280MH/4	Consult NORD	Consult NORD	Consult NORD	SK92-W	169	34	46600	225	11	35000
149	52900	2.6	11.88	SK102-280M/4	SK102-280MH/4	Consult NORD	Consult NORD	Consult NORD	SK102-W	149	30	52900	198	9.9	39700
143	55100	1.7	12.39	SK92-280M/4	SK92-280MH/4	Consult NORD	Consult NORD	Consult NORD	SK92-W	143	29	55100	190	9.5	41300
124	63600	1.5	14.36	SK92-280M/4	SK92-280MH/4	Consult NORD	Consult NORD	Consult NORD	SK92-W	124	25	63600	165	8.2	47700
124	63600	2.3	14.29	SK102-280M/4	SK102-280MH/4	Consult NORD	Consult NORD	Consult NORD	SK102-W	124	25	63600	165	8.2	47700
108	73000	1.3	16.47	SK92-280M/4	SK92-280MH/4	Consult NORD	Consult NORD	Consult NORD	SK92-W	108	22	73000	144	7.2	54700
107	73700	2.1	16.63	SK102-280M/4	SK102-280MH/4	Consult NORD	Consult NORD	Consult NORD	SK102-W	107	21	73700	142	7.1	55300
92	85700	1.7	19.37	SK102-280M/4	SK102-280MH/4	Consult NORD	Consult NORD	Consult NORD	SK102-W	92	18	85700	122	6.1	64300
84	93800	1.9	21.19	SK103-280M/4	SK103-280MH/4	Consult NORD	Consult NORD	Consult NORD	SK103-W	84	17	93800	112	5.6	70400
70	112600	1.6	25.30	SK103-280M/4	SK103-280MH/4	Consult NORD	Consult NORD	Consult NORD	SK103-W	70	14	112600	93	4.7	84500
60	131400	1.3	29.62	SK103-280M/4	SK103-280MH/4	Consult NORD	Consult NORD	Consult NORD	SK103-W	60	12	131400	80	4	98500
47	167700	1.1	37.90	SK103-280M/4	SK103-280MH/4	Consult NORD	Consult NORD	Consult NORD	SK103-W	47	9.4	167700	63	3.1	125800



150 hp Gearmotors & Speed Reducers



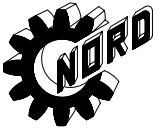
Output Speed n_2 [rpm]	Output Torque T_2 [lb-in]	SF f_B	Gear Ratio i	Integral Gearmotor		Gearmotor C-Face		Reducer		5:1 Inverter Duty			20:1 Inverter Duty		
				Standard Motor	EE Motor	Standard Motor	EE Motor	C-Face Input	Solid Input Shaft	[60Hz]	[12Hz]	T_{60} [lb-in]	[80Hz]	[4Hz]	T_{80} [lb-in]
										n_{60} [rpm]	n_{12} [rpm]		n_{80} [rpm]	n_4 [rpm]	
339	27900	2.6	5.23	SK102-315S/4	SK102-315SH/4	Consult NORD	Consult NORD	Consult NORD	SK102-W	339	68	27900	451	23	20900
312	30300	2.1	5.68	SK92-315S/4	SK92-315SH/4	Consult NORD	Consult NORD	Consult NORD	SK92-W	312	62	30300	415	21	22700
284	33300	2.5	6.24	SK102-315S/4	SK102-315SH/4	Consult NORD	Consult NORD	Consult NORD	SK102-W	284	57	33300	378	19	25000
265	35700	1.7	6.70	SK92-315S/4	SK92-315SH/4	Consult NORD	Consult NORD	Consult NORD	SK92-W	265	53	35700	352	18	26800
237	39900	2.3	7.50	SK102-315S/4	SK102-315SH/4	Consult NORD	Consult NORD	Consult NORD	SK102-W	237	47	39900	315	16	29900
228	41500	1.3	7.78	SK92-315S/4	SK92-315SH/4	Consult NORD	Consult NORD	Consult NORD	SK92-W	228	46	41500	303	15	31100
178	53100	2.5	9.96	SK102-315S/4	SK102-315SH/4	Consult NORD	Consult NORD	Consult NORD	SK102-W	178	36	53100	237	12	39900
169	56000	1.6	10.50	SK92-315S/4	SK92-315SH/4	Consult NORD	Consult NORD	Consult NORD	SK92-W	169	34	56000	225	11	42000
149	63500	2.2	11.88	SK102-315S/4	SK102-315SH/4	Consult NORD	Consult NORD	Consult NORD	SK102-W	149	30	63500	198	9.9	47600
143	66100	1.4	12.39	SK92-315S/4	SK92-315SH/4	Consult NORD	Consult NORD	Consult NORD	SK92-W	143	29	66100	190	9.5	49600
124	76300	1.3	14.36	SK92-315S/4	SK92-315SH/4	Consult NORD	Consult NORD	Consult NORD	SK92-W	124	25	76300	165	8.2	57200
124	76300	1.9	14.29	SK102-315S/4	SK102-315SH/4	Consult NORD	Consult NORD	Consult NORD	SK102-W	124	25	76300	165	8.2	57200
108	87600	1.1	16.47	SK92-315S/4	SK92-315SH/4	Consult NORD	Consult NORD	Consult NORD	SK92-W	108	22	87600	144	7.2	65700
107	88400	1.7	16.63	SK102-315S/4	SK102-315SH/4	Consult NORD	Consult NORD	Consult NORD	SK102-W	107	21	88400	142	7.1	66300
92	102800	1.4	19.37	SK102-315S/4	SK102-315SH/4	Consult NORD	Consult NORD	Consult NORD	SK102-W	92	18	102800	122	6.1	77100
84	112600	1.6	21.19	SK103-315S/4	SK103-315SH/4	Consult NORD	Consult NORD	Consult NORD	SK103-W	84	17	112600	112	5.6	84500
70	135100	1.3	25.30	SK103-315S/4	SK103-315SH/4	Consult NORD	Consult NORD	Consult NORD	SK103-W	70	14	135100	93	4.7	101400
60	157600	1.1	29.62	SK103-315S/4	SK103-315SH/4	Consult NORD	Consult NORD	Consult NORD	SK103-W	60	12	157600	80	4	118200



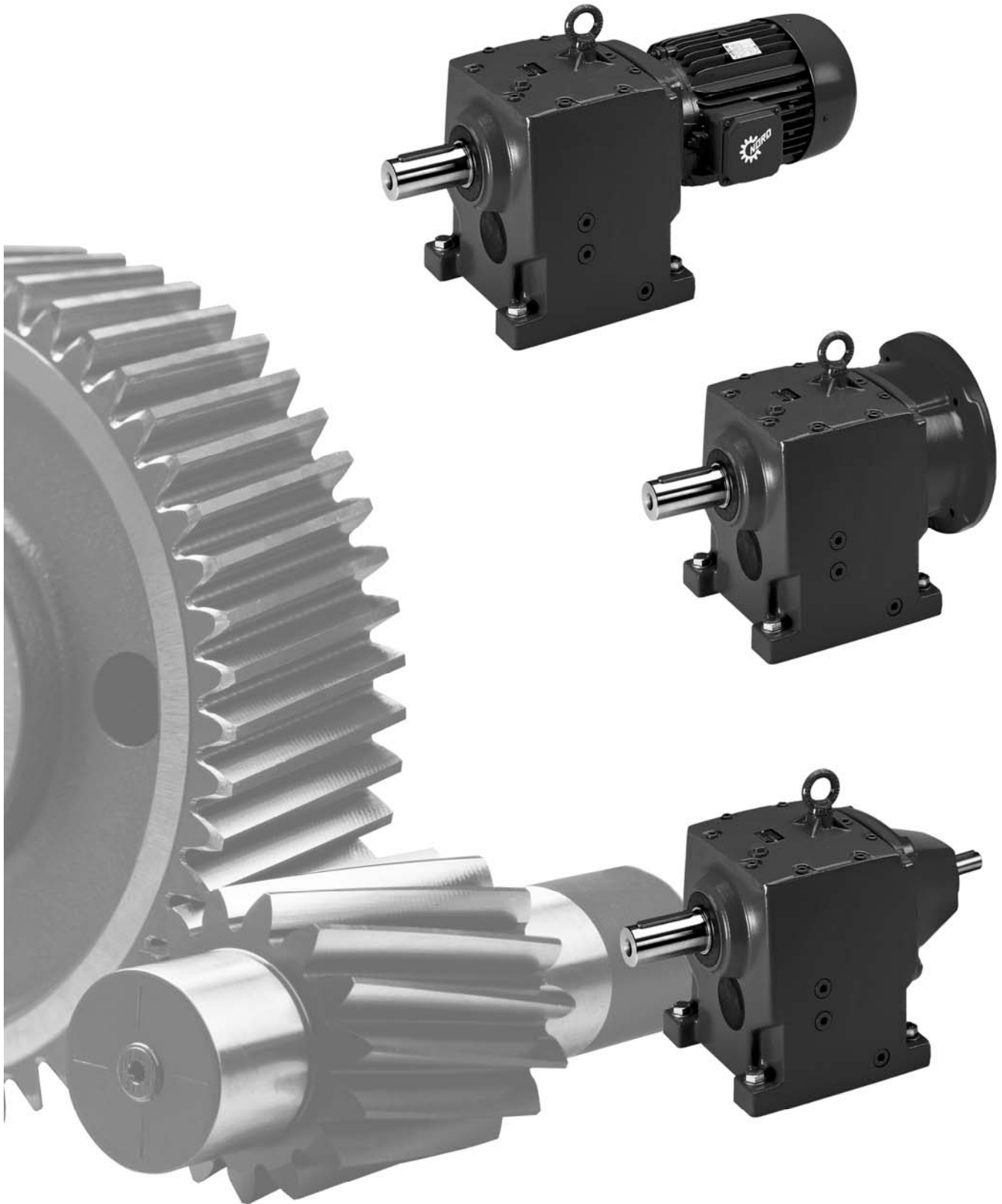
200 hp Gearmotors & Speed Reducers



Output Speed n ₂ [rpm]	Output Torque T ₂ [lb-in]	SF f _B	Gear Ratio i	Integral Gearmotor		Gearmotor C-Face		Reducer		5:1 Inverter Duty			20:1 Inverter Duty		
				Standard Motor	EE Motor	Standard Motor	EE Motor	C-Face Input	Solid Input Shaft	[60Hz]		[12Hz]	[80Hz]		[4Hz]
										n ₆₀ [rpm]	n ₁₂ [rpm]	T ₆₀ [lb-in]	n ₈₀ [rpm]	n ₄ [rpm]	T ₈₀ [lb-in]
506	24900	2	3.51	SK92-315Ma/40	SK92-315MHa/40	Consult NORD	Consult NORD	Consult NORD	SK92-W	506	101	24900	673	34	18700
415	30400	2.7	4.28	SK102-315Ma/40	SK102-315MHa/40	Consult NORD	Consult NORD	Consult NORD	SK102-W	415	83	30400	552	28	22800
339	37200	2.5	5.23	SK102-315Ma/40	SK102-315MHa/40	Consult NORD	Consult NORD	Consult NORD	SK102-W	339	68	37200	451	23	27900
312	40400	1.6	5.68	SK92-315Ma/40	SK92-315MHa/40	Consult NORD	Consult NORD	Consult NORD	SK92-W	312	62	40400	415	21	30300
284	44400	2.3	6.24	SK102-315Ma/40	SK102-315MHa/40	Consult NORD	Consult NORD	Consult NORD	SK102-W	284	57	44400	378	19	33300
265	47600	1.3	6.70	SK92-315Ma/40	SK92-315MHa/40	Consult NORD	Consult NORD	Consult NORD	SK92-W	265	53	47600	352	18	35700
237	53200	1.9	7.50	SK102-315Ma/40	SK102-315MHa/40	Consult NORD	Consult NORD	Consult NORD	SK102-W	237	47	53200	315	16	39900
228	55300	1	7.78	SK92-315Ma/40	SK92-315MHa/40	Consult NORD	Consult NORD	Consult NORD	SK92-W	228	46	55300	303	15	41500
178	70800	1.9	9.96	SK102-315Ma/40	SK102-315MHa/40	Consult NORD	Consult NORD	Consult NORD	SK102-W	178	36	70800	237	12	53100
169	74600	1.2	10.50	SK92-315Ma/40	SK92-315MHa/40	Consult NORD	Consult NORD	Consult NORD	SK92-W	169	34	74600	225	11	56000
149	84600	1.6	11.88	SK102-315Ma/40	SK102-315MHa/40	Consult NORD	Consult NORD	Consult NORD	SK102-W	149	30	84600	198	9.9	63500
143	88200	1.1	12.39	SK92-315Ma/40	SK92-315MHa/40	Consult NORD	Consult NORD	Consult NORD	SK92-W	143	29	88200	190	9.5	66200
124	101700	1.4	14.29	SK102-315Ma/40	SK102-315MHa/40	Consult NORD	Consult NORD	Consult NORD	SK102-W	124	25	101700	165	8.2	76300
107	117800	1.3	16.63	SK102-315Ma/40	SK102-315MHa/40	Consult NORD	Consult NORD	Consult NORD	SK102-W	107	21	117800	142	7.1	88400
92	137100	1.1	19.37	SK102-315Ma/40	SK102-315MHa/40	Consult NORD	Consult NORD	Consult NORD	SK102-W	92	18	137100	122	6.1	102800

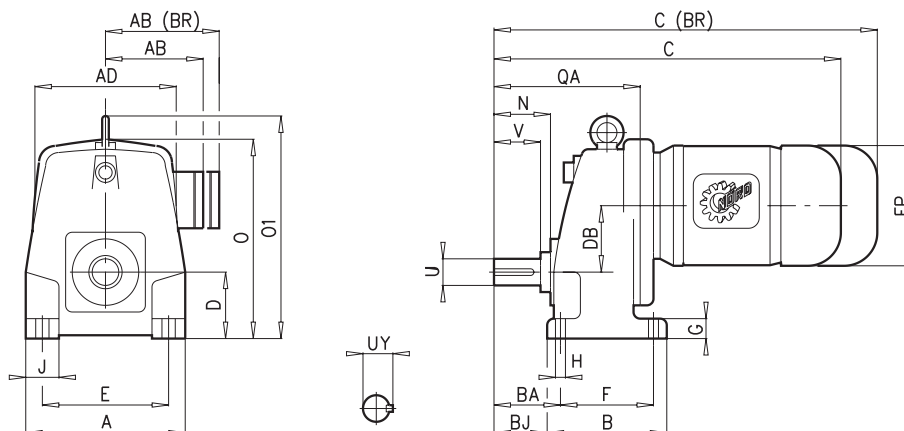


Gearmotor & Speed Reducers Dimensions





Foot Mounted Gearmotor Single-stage



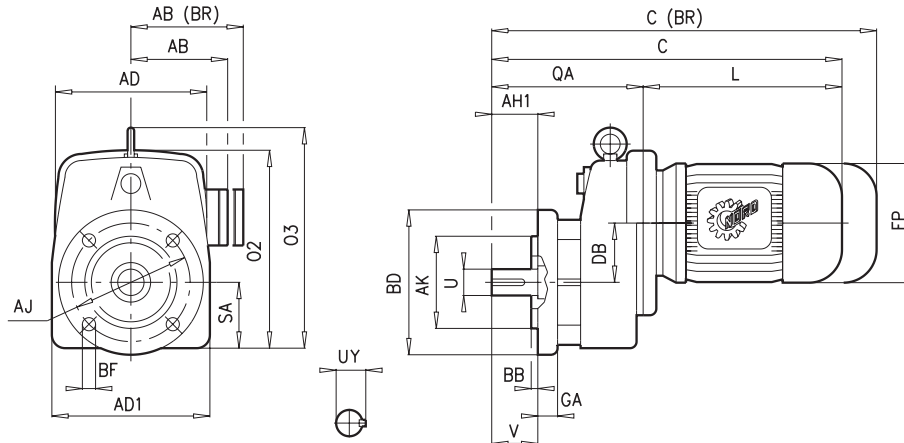
Gearbox type	Motor type		Mounting dimensions (foot)				Outline dimensions											
	Standard efficiency	High efficiency	A	E	G	J	AB	AB (BR)	AD	BA	C	C (BR)	D	FP	N	O	O1	
			B	F	H				BJ			DB						
SK 11 E	- 63 S/L	LH SH/LH LH MH	5.31	4.13	0.59	1.18	4.53	4.84	5.12	2.13	12.56	14.76	2.20	5.12	1.65	6.73	—	
	- 71 S/L		3.94	3.15	0.35		4.88	5.24		1.74	14.13	16.41	1.97	5.71		7.02	4.84	
	- 80 S/L						5.59	5.63			15.11	17.63		6.50		7.42		
	- 90 S/L						5.79	5.83			16.73	19.68		7.20		7.78		
	- 100 L						6.65	6.26			17.91	21.49		7.91		8.13		
- 112					7.05	6.69			18.82	22.48		8.98		8.66				
SK 21 E	- 100 L	LH	7.28	6.30	0.71	1.18	6.65	6.26	7.87	2.76	18.96	22.55	2.80	7.91	2.31	9.15	—	
	- 112	MH	5.51	4.53	0.43		7.05	6.69		2.27	19.87	23.53	2.40	8.98		9.69	6.13	
SK 31 E	- 100 L	LH	8.27	6.89	0.79	1.38	6.65	6.26	7.87	3.50	20.54	24.12	3.35	7.91	2.98	10.35	12.13	
	- 112	MH	6.50	5.31	0.51		7.05	6.69		2.91	21.44	25.11	2.99	8.98		10.83	7.70	
	- 132 S/M	SH/MH					8.03	7.72			24.83	29.04		10.47		11.57		
SK 41 E	- 132 S/M	SH/MH	8.46	6.89	0.98	1.57	8.03	7.72	9.84	3.94	25.12	29.33	3.94	10.47	3.23	12.56	14.33	
	- 160 M/L	MH	8.07	6.50	0.51		8.90	8.90		3.16	27.60	34.17	3.39	12.60		13.62	8.78	
	- 160	LH					8.90	8.90			29.17	35.91		12.60		13.62		
SK 51 E	- 160 M/L	MH	10.24	8.46	1.18	1.77	8.90	8.90	9.84	4.19	28.17	34.74	4.41	12.60	3.48	14.88	15.94	
	- 160	LH	8.66	7.09	0.71		8.90	8.90		3.41	29.74	36.47	4.17	12.60		14.88	9.35	
	- 180 MX					8.90	8.90				29.74	36.47		12.60		14.88		
	- 180 LX					8.90	8.90				29.74	36.47		12.60		14.88		
	- 180	MH/LH					10.20	10.20			33.83	37.97		14.09		15.63		

Type	Shaft dimensions			
	U	UY	V	Key
SK 11 E	0.750	0.83	1.50	3/16 x 3/16 x 1-1/4
SK 21 E	1.000	1.11	2.13	1/4 x 1/4 x 1-5/8
SK 31 E	1.250	1.36	2.75	1/4 x 1/4 x 2-1/4
SK 41 E	1.375	1.51	3.00	5/16 x 5/16 x 2-1/2
SK 51 E	1.625	1.79	3.25	3/8 x 3/8 x 2-3/4

Dimensions subject to change without notice



Flange Mounted Gearmotor Single-stage



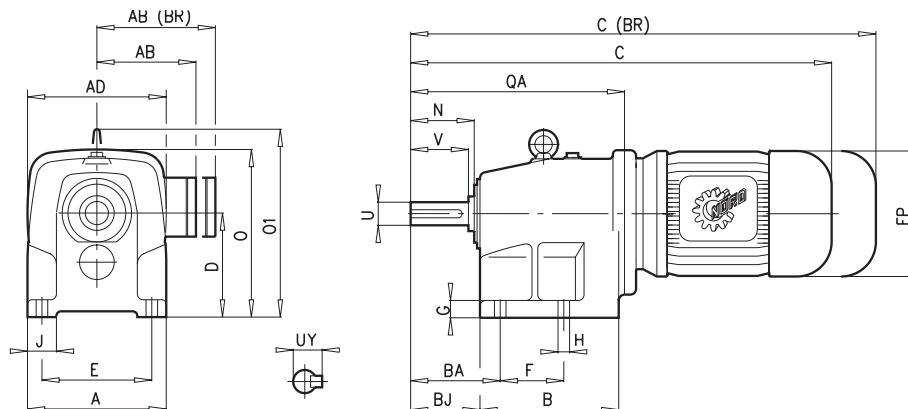
Gearbox type	Motor type		Mounting dimensions (flange)			Outline dimensions										
	Standard efficiency	High efficiency	AJ	BB	BF	AB	AB (BR)	AD	AH1	C	C (BR)	DB	FP	O2	O3	QA
			AK	BD	GA	AD1	SA									
SK 11 EF	- 63 S/L	LH SH/LH LH MH	4.53	0.12	0.35	4.53	4.84	5.12	1.50	12.56	14.77	1.97	5.12	6.73	—	4.85
	- 71 S/L		3.740	5.51	0.39	4.88	5.24	5.31	—	14.14	16.42	—	5.71	7.02	—	2.20
	- 80 S/L		—	—	—	5.59	5.63	—	—	15.12	17.64	—	6.50	7.42	—	—
	- 90 S/L		—	—	—	5.79	5.83	—	—	16.74	19.69	—	7.20	7.77	—	—
	- 100 L		—	—	—	6.65	6.26	—	—	17.92	21.50	—	7.91	8.13	—	—
- 112	—	—	—	7.05	6.69	—	—	—	18.82	22.48	—	8.98	8.66	—	—	
SK 21 EF	- 100 L	LH	5.12	0.14	0.35	6.65	6.26	7.87	2.13	18.98	22.56	2.40	7.91	9.13	—	6.15
	- 112	MH	4.331	6.30	0.39	7.05	6.69	7.28	—	19.89	23.55	—	8.98	9.49	—	2.60
SK 31 EF	- 100 L	LH	6.50	0.14	0.43	6.65	6.26	7.87	2.75	20.78	24.36	2.99	7.91	10.35	12.01	7.74
	- 112	MH	5.118	7.87	0.47	7.05	6.69	8.27	—	21.68	25.34	—	8.98	10.71	—	3.23
	- 132 S/M	SH/MH	—	—	—	8.03	7.72	—	—	25.07	29.28	—	10.47	11.46	—	—
SK 41 EF	- 132 S/M	SH/MH	8.46	0.16	0.55	8.03	7.72	9.84	3.00	25.13	29.34	3.39	10.47	12.24	13.98	8.79
	- 160 M/L	MH	7.087	9.84	0.63	8.90	8.90	8.46	—	27.61	34.18	—	12.60	13.27	—	3.58
	- 160	LH	—	—	—	8.90	8.90	—	—	29.18	35.91	—	12.60	13.27	—	—
SK 51 EF	- 160 M/L	MH	10.43	0.16	0.55	8.90	8.90	9.84	3.25	28.17	37.75	4.17	12.60	14.80	15.87	9.35
	- 160	LH	9.055	11.81	0.79	8.90	8.90	10.24	—	29.75	36.48	—	12.60	14.80	—	4.33
	- 180 MX	—	—	—	8.90	8.90	—	—	—	29.75	36.48	—	12.60	14.80	—	—
	- 180 LX	—	—	—	8.90	8.90	—	—	—	29.75	36.48	—	12.60	14.80	—	—
	- 180	MH/LH	—	—	—	10.20	10.20	—	—	33.83	37.97	—	14.09	15.55	—	—

Type	Additional flange sizes available						Shaft dimensions			
	AJ	AK	BB	BD	BF	GA	U	UY	V	Key
SK 11 EF	3.94	3.150	0.12	4.72	0.28	0.39	0.750	0.83	1.50	3/16 x 3/16 x 1-1/4
SK 21 EF	4.53	3.740	0.12	5.51	0.35	0.39	1.000	1.11	2.13	1/4 x 1/4 x 1-5/8
SK 31 EF	—	—	—	—	—	—	1.250	1.36	2.75	1/4 x 1/4 x 2-1/4
SK 41 EF	6.50	5.118	0.14	7.87	0.43	0.55	1.375	1.51	3.00	5/16 x 5/16 x 2-1/2
SK 51 EF	8.46	7.087	0.16	9.84	0.55	0.63	1.625	1.79	3.25	3/8 x 3/8 x 2-3/4

Dimensions subject to change without notice



Foot Mounted Gearmotor Two-stage



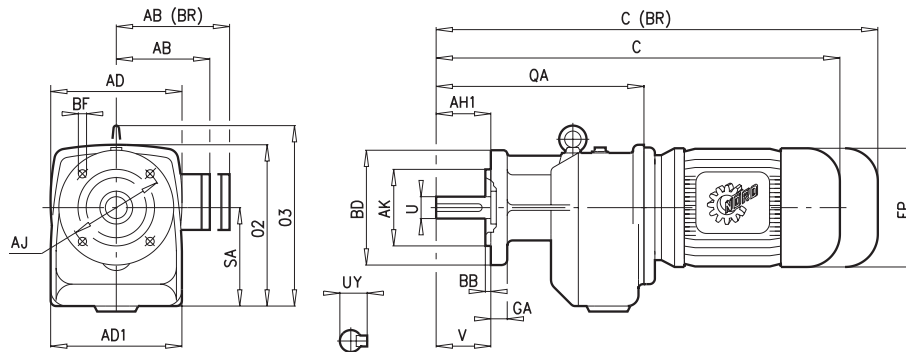
Gearbox type	Motor type		Mounting dimensions (foot)				Outline dimensions										
	Standard efficiency	High efficiency	A	E	G	J	AB	AB (BR)	AD	BA	C	C (BR)	D	FP	N	O	O1
SK 02	- 63 S/L	LH SH/LH	5.12	4.33	0.47	0.98	4.53	4.84	5.12	1.97	14.77	16.97	3.39	5.12	1.62	5.94	—
	- 71 S/L		5.28	2.36	0.35		4.88	5.24		1.58	16.34	18.63		5.71		6.24	7.09
	- 80 S/L						5.59	5.63			17.33	19.85		6.50		6.63	
	- 90 S/L						5.79	5.83			18.94	21.90		7.20		6.99	
SK 12	- 63 S/L	LH SH/LH LH MH	5.31	4.13	0.59	1.18	4.53	4.84	5.12	3.23	15.90	18.11	4.02	5.12	2.28	6.69	—
	- 71 S/L		5.47	2.44	0.35		4.88	5.24		2.52	17.48	19.76		5.71		6.87	8.23
	- 80 S/L						5.59	5.63			18.46	20.98		6.50		7.26	
	- 90 S/L						5.79	5.83			20.08	23.03		7.20		7.62	
	- 100 L						6.65	6.26			21.26	24.84		7.91		7.97	
	- 112						7.05	6.69			22.16	25.82		8.98		8.50	
SK 22	- 71 S/L	LH SH/LH LH MH	7.28	6.30	0.71	1.38	4.88	5.24	7.87	3.30	18.86	21.14	4.92	5.71	2.95	8.86	—
	- 80 S/L		6.89	3.15	0.43		5.59	5.63		2.71	19.84	22.36		6.50		8.86	9.80
	- 90 S/L						5.79	5.83			21.45	24.41		7.20		8.86	
	- 100 L						6.65	6.26			22.64	26.22		7.91		8.88	
	- 112						7.05	6.69			23.54	27.20		8.98		9.41	
SK 32	- 71S/L	LH SH/LH LH MH SH/MH	8.27	7.28	0.79	1.57	4.88	5.24	7.87	3.88	20.93	23.21	6.10	5.71	3.49	10.16	11.50
	- 80 S/L		8.43	4.72	0.51		5.59	5.63		3.21	21.92	24.43		6.50		10.16	11.87
	- 90 S/L						5.79	5.83			23.53	26.48		7.20		10.16	
	- 100 L						6.65	6.26			24.71	28.29		7.91		10.16	
	- 112						7.05	6.69			25.62	29.28		8.98		10.59	
	- 132 S/M						8.03	7.72			29.00	33.21		10.47		11.34	
SK 42	- 90 S/L	SH/LH LH MH SH/MH MH LH	8.46	6.89	0.98	1.57	5.79	5.83	9.84	5.08	24.65	27.60	6.89	7.20	3.74	11.81	12.87
	- 100 L		9.41	4.72	0.51		6.65	6.26		4.13	25.83	29.41		7.91		11.81	13.78
	- 112						7.05	6.69			26.73	30.39		8.98		11.81	
	- 132 S/M						8.03	7.72			30.12	34.33		10.47		12.13	
	- 160 M/L						8.90	8.90			32.60	39.17		12.60		13.19	
	- 160						8.90	8.90			34.17	40.91		12.60		13.19	
	- 160						8.90	8.90			36.21	42.94		12.60		14.65	
SK 52	- 90 S/L	SH/LH LH MH SH/MH MH LH MH/LH	10.24	8.66	1.38	1.77	5.79	5.83	9.84	5.18	26.68	29.63	8.35	7.20	4.24	13.27	15.16
	- 100 L		11.14	5.91	0.71		6.65	6.26		4.39	27.86	31.44		7.91		13.27	15.81
	- 112						7.05	6.69			28.77	32.43		8.98		13.27	
	- 132 S/M						8.03	7.72			32.15	36.37		10.47		13.58	
	- 160 M/L						8.90	8.90			34.63	41.21		12.60		14.65	
	- 160						8.90	8.90			36.21	42.94		12.60		14.65	
	- 180 MX						8.90	8.90			36.21	42.94		12.60		14.65	
	- 180 LX						8.90	8.90			36.21	42.94		12.60		14.65	
	- 180						10.20	10.20			40.30	44.44		14.09		15.39	

Type	Shaft dimensions			
	U	UY	V	Key
SK 02	0.750	0.83	1.50	3/16 x 3/16 x 1-1/4
SK 12	1.000	1.11	2.13	1/4 x 1/4 x 1-5/8
SK 22	1.250	1.36	2.75	1/4 x 1/4 x 2-1/4
SK 32	1.625	1.79	3.25	3/8 x 3/8 x 2-3/4
SK 42	1.875	2.09	3.50	1/2 x 1/2 x 2-3/4
SK 52	2.250	2.47	4.00	1/2 x 1/2 x 3-1/4

Dimensions subject to change without notice



Flange Mounted Gearmotor Two-stage



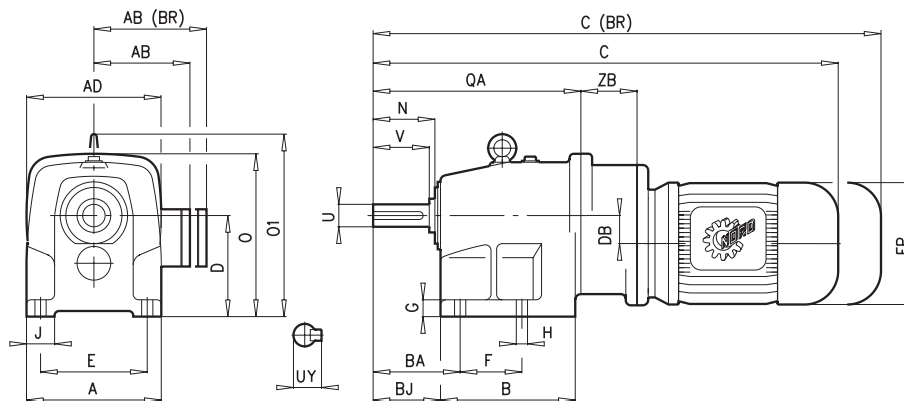
Gearbox type	Motor type		Mounting dimensions (flange)			Outline dimensions									
	Standard efficiency	High efficiency	AJ	BB	BF	AB	AB (BR)	AD	AH1	C	C (BR)	FP	O2	O3	QA
			AK	BD	GA			AD1							SA
SK 02 F	- 63 S/L	LH SH/LH	5.12	0.14	0.35	4.53	4.84	5.12	1.50	14.81	17.01	5.12	6.06	—	7.09
	- 71 S/L		4.331	6.30	0.39	4.88	5.24	5.12	16.38	18.67	5.71	6.36	—	3.50	
	- 80 S/L		5.59	5.63		5.59	5.63		17.37	19.89	6.50	6.75			
	- 90 S/L		5.79	5.83		5.79	5.83		18.98	21.93	7.20	7.11			
SK 12 F	- 63S/L	LH SH/LH LH MH	5.12	0.14	0.35	4.53	4.84	5.12	2.13	15.95	18.15	5.12	6.73	—	8.23
	- 71 S/L		4.331	6.30	0.39	4.88	5.24	5.32	17.52	19.81	5.71	7.03	—	4.17	
	- 80 S/L		5.59	5.63		5.59	5.63		18.51	21.03	6.50	7.42			
	- 90 S/L		5.79	5.83		5.79	5.83		20.12	23.07	7.20	7.78			
	- 100 L		6.65	6.26		6.65	6.26		21.30	24.89	7.91	8.13			
	- 112		7.05	6.69		7.05	6.69		22.21	25.87	8.98	8.66			
SK 22 F	- 71 S/L	LH SH/LH LH MH	6.50	0.14	0.43	4.88	5.24	7.87	2.75	18.86	21.14	5.71	8.86	—	9.80
	- 80 S/L		5.118	7.87	0.47	5.59	5.63	7.28	19.84	22.36	6.50	8.86	—	4.92	
	- 90 S/L		5.79	5.83		5.79	5.83		21.45	24.41	7.20	8.86			
	- 100 L		6.65	6.26		6.65	6.26		22.64	26.22	7.91	8.88			
	- 112		7.05	6.69		7.05	6.69		23.54	27.20	8.98	9.41			
SK 32 F	- 71 S/L	LH SH/LH LH MH SH/MH	8.46	0.16	0.55	4.88	5.24	7.87	3.25	20.93	23.21	5.71	10.16	11.50	11.87
	- 80 S/L		7.087	9.84	0.63	5.59	5.63	8.27	21.91	24.43	6.50	10.16		6.10	
	- 90 S/L		5.79	5.83		5.79	5.83		23.53	26.48	7.20	10.16			
	- 100 L		6.65	6.26		6.65	6.26		24.71	28.29	7.91	10.16			
	- 112		7.05	6.69		7.05	6.69		25.61	29.27	8.98	10.59			
	- 132 S/M		8.03	7.72		8.03	7.72		29.00	33.21	10.47	11.34			
SK 42 F	- 90 S/L	SH/LH LH MH SH/MH MH LH	8.46	0.16	0.55	5.79	5.83	9.84	3.50	24.64	27.59	7.20	11.81	12.87	13.78
	- 100 L		7.087	9.84	0.63	6.65	6.26	8.47	25.82	29.41	7.91	11.81		6.89	
	- 112		7.05	6.69		7.05	6.69		26.73	30.39	8.98	11.81			
	- 132 S/M		8.03	7.72		8.03	7.72		30.11	34.33	10.47	12.13			
	- 160 M/L		8.90	8.90		8.90	8.90		32.59	39.17	12.60	13.19			
	- 160		8.90	8.90		8.90	8.90		34.17	40.90	12.60	13.19			
	- 180 MX		26.68	29.63	7.20	13.27	15.16	15.81							
- 180 LX	27.86	31.44	7.91	13.27	15.16	15.81									
- 180	28.76	32.43	8.98	13.27	15.16	15.81									
	32.15	36.36	10.47	13.58	15.16	15.81									
	34.63	41.20	12.60	14.65	15.16	15.81									
	36.20	42.94	12.60	14.65	15.16	15.81									
	36.20	42.94	12.60	14.65	15.16	15.81									
	40.30	44.44	14.09	15.39	15.16	15.81									

Type	Additional flange sizes available						Shaft dimensions			
	AJ	AK	BB	BD	BF	GA	U	UY	V	Key
SK 02 F	3.94 / 4.53	3.150 / 3.740	0.12 / 0.12	4.72 / 5.51	0.28 / 0.35	0.39 / 0.39	0.750	0.83	1.50	3/16 x 3/16 x 1-14
SK 12 F	3.94 / 4.53	3.150 / 3.740	0.12 / 0.12	4.72 / 5.51	0.28 / 0.35	0.39 / 0.39	1.000	1.11	2.13	1/4 x 1/4 x 1-5/8
SK 22 F	5.12	4.331	0.14	6.30	0.35	0.39	1.250	1.36	2.75	1/4 x 1/4 x 2-1/4
SK 32 F	6.50	5.118	0.14	7.87	0.43	0.47	1.625	1.79	3.25	3/8 x 3/8 x 2-3/4
SK 42 F	6.50	5.118	0.14	7.87	0.43	0.55	1.875	2.09	3.50	1/2 x 1/2 x 2-3/4
SK 52 F	8.46	7.087	0.16	9.84	0.55	0.63	2.250	2.47	4.00	1/2 x 1/2 x 3-1/4

Dimensions subject to change without notice



Foot Mounted Gearmotor Three-stage



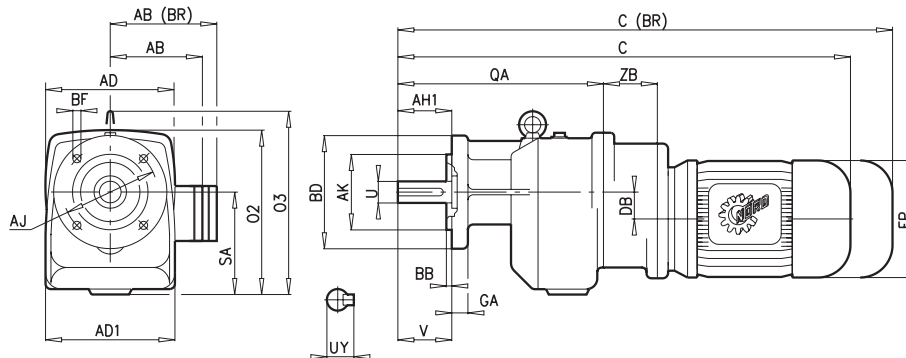
Gearbox type	Motor type		Mounting dimensions (foot)				Outline dimensions											
	Standard efficiency	High efficiency	A	E	G	J	AB	AB (BR)	AD	BA	C	C (BR)	D	FP	N	O	O1	ZB
			B	F	H				BJ			DB					QA	
SK 03	- 63 S/L		5.12	4.33	0.47	0.98	4.53	4.84	5.12	1.97	16.97	19.18	3.39	5.12	1.62	6.06	—	2.28
	- 71 S/L		5.28	2.36	0.35		4.88	5.24		1.58	18.55	20.83	1.18	5.71			7.09	
SK 13	- 63 S/L		5.31	4.13	0.59	1.18	4.53	4.84	5.12	3.23	18.19	20.39	4.02	5.12	2.28	6.69	—	2.28
	- 71 S/L		5.47	2.44	0.35		4.88	5.24		2.52	19.76	22.04	1.18	5.71			8.23	
SK 23	- 63 S/L		7.28	6.30	0.71	1.38	4.53	4.84	7.87	3.30	19.88	22.08	4.92	5.12	2.95	8.85	—	2.36
	- 80 S/L	LH	6.89	3.15	0.43		4.88	5.24		2.71	21.45	23.74		5.71			9.80	
SK 33 N	- 63 S/L		8.27	7.28	0.79	1.57	4.53	4.84	7.87	3.88	21.95	24.16	6.10	5.12	3.49	10.16	11.50	2.36
	- 71 S/L		8.43	4.72	0.51		4.88	5.24		3.21	23.53	25.81		5.71			11.87	
SK 43	- 80 S/L	LH					5.59	5.63			24.51	27.03	1.97	6.50				
	- 90 S/L	SH/LH					5.79	5.83			26.13	29.08		7.20				
	- 100 L	LH	8.46	6.89	0.98	1.57	6.65	6.26			29.33	32.91		7.91	3.74	11.81	12.87	2.72
	- 112	MH	9.41	4.72	0.51		7.05	6.69			30.24	33.90		8.98			13.78	
SK 53	- 71 S/L	LH	10.24	8.66	1.38	1.77	4.88	5.24	9.84	5.18	27.59	29.87	8.35	5.71	4.24	13.27	15.16	2.72
	- 80 S/L	SH/LH	11.14	5.91	0.71		5.59	5.63		4.39	28.57	31.09		6.50			15.81	
	- 90 S/L	LH					5.79	5.83			30.18	33.14	2.99	7.20				
	- 100 L	LH					6.65	6.26			31.37	34.95		7.91				
	- 112	MH					7.05	6.69			32.27	35.93		8.98				

Type	Shaft dimensions			
	U	UY	V	Key
SK 03	0.750	0.83	1.50	3/16 x 3/16 x 1-1/4
SK 13	1.000	1.11	2.13	1/4 x 1/4 x 1-5/8
SK 23	1.250	1.36	2.75	1/4 x 1/4 x 2-1/4
SK 33 N	1.625	1.79	3.25	3/8 x 3/8 x 2-3/4
SK 43	1.875	2.09	3.50	1/2 x 1/2 x 2-3/4
SK 53	2.250	2.47	4.00	1/2 x 1/2 x 3-1/4

Dimensions subject to change without notice



Flange Mounted Gearmotor Three-stage



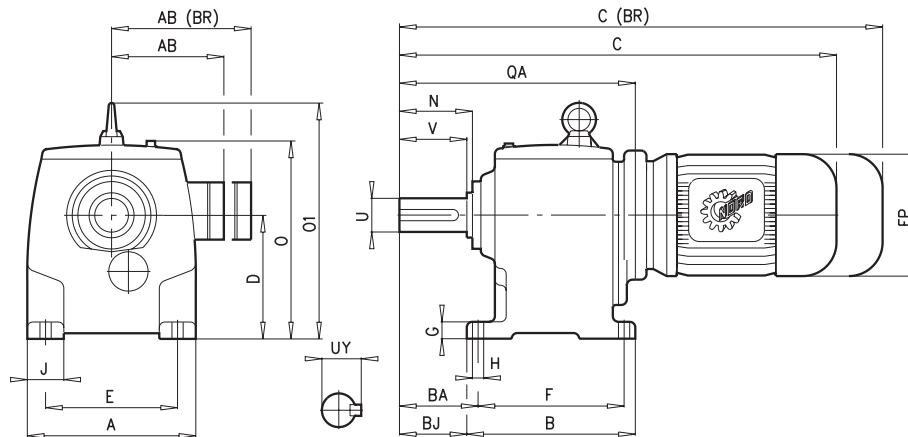
Gearbox type	Motor type		Mounting dimensions (flange)			Outline dimensions											
	Standard efficiency	High efficiency	AJ	BB	BF	AB	AB (BR)	AD	AH1	C	C (BR)	DB	FP	O2	O3	QA	ZB
			AK	BD	GA	AD1			SA								
SK 03 F	- 63 S/L		5.12	0.14	0.35	4.53	4.84	5.12	1.50	17.01	19.22	1.18	5.12	6.06	—	7.09	2.28
	- 71 S/L		4.331	6.30	0.39	4.88	5.24	5.12		18.59	20.87		5.71			3.50	
SK 13 F	- 63 S/L		5.12	0.14	0.35	4.53	4.84	5.12	2.13	18.23	20.44	1.18	5.12	6.85	—	8.23	2.28
	- 71 S/L		4.331	6.30	0.39	4.88	5.24	5.32		19.81	22.09		5.71			4.17	
SK 23 F	- 63 S/L	LH	6.50	0.14	0.43	4.53	4.84	7.87	2.75	19.88	22.08	1.67	5.12	8.86	—	9.80	2.36
	- 71 S/L		5.118	7.87	0.47	4.88	5.24	7.28		21.45	23.73		5.71			4.92	
	- 80 S/L		5.59	5.63		5.59	5.63			22.44	24.95		6.50				
SK 33 NF	- 63 S/L	LH SH/LH	8.46	0.16	0.55	4.53	4.84	7.87	3.25	21.95	24.16	1.97	5.12	10.16	11.50	11.87	2.36
	- 71 S/L		7.087	9.84	0.63	4.88	5.24	8.27		23.53	25.81		5.71			6.10	
	- 80 S/L		5.59	5.63		5.59	5.63			24.51	27.03		6.50				
	- 90 S/L		5.79	5.83		5.79	5.83			26.13	29.08		7.20				
SK 43 F	- 71 S/L	LH SH/LH LH MH	8.46	0.16	0.55	4.88	5.24	9.84	3.50	25.55	27.83	2.40	5.71	11.81	12.87	13.78	2.72
	- 80 S/L		7.087	9.84	0.63	5.59	5.63	8.47		26.53	29.05		6.50			6.89	
	- 90 S/L		5.79	5.83		5.79	5.83			28.15	31.10		7.20				
	- 100 L		6.65	6.26		6.65	6.26			29.33	32.91		7.91				
	- 112		7.05	6.69		7.05	6.69			30.23	33.89		8.98				
SK 53 F	- 71 S/L	LH SH/LH LH MH	10.43	0.16	0.55	4.88	5.24	9.84	4.00	27.58	29.87	2.99	5.71	13.27	15.16	15.81	2.72
	- 80 S/L		9.055	11.81	0.79	5.59	5.63			28.57	31.09		6.50			8.35	
	- 90 S/L		5.79	5.83		5.79	5.83	10.24		30.18	33.13		7.20				
	- 100 L		6.65	6.26		6.65	6.26			31.36	34.94		7.91				
	- 112		7.05	6.69		7.05	6.69			32.27	35.93		8.98				

Type	Additional flange sizes available						Shaft dimensions			
	AJ	AK	BB	BD	BF	GA	U	UY	V	Key
SK 03 F	3.94 / 4.53	3.150 / 3.740	0.12 / 0.12	4.72 / 5.51	0.28 / 0.35	0.39 / 0.39	0.750	0.83	1.50	3/16 x 3/16 x 1-1/4
SK 13 F	3.94 / 4.53	3.150 / 3.740	0.12 / 0.12	4.72 / 5.51	0.28 / 0.35	0.39 / 0.39	1.000	1.11	2.13	1/4 x 1/4 x 1-5/8
SK 23 F	5.12	4.331	0.14	6.30	0.35	0.39	1.250	1.36	2.75	1/4 x 1/4 x 2-1/4
SK 33 NF	6.50	5.118	0.14	7.87	0.43	0.47	1.625	1.79	3.25	3/8 x 3/8 x 2-3/4
SK 43 F	6.50	5.118	0.14	7.87	0.43	0.55	1.875	2.09	3.50	1/2 x 1/2 x 2-3/4
SK 53 F	8.46	7.087	0.16	9.84	0.55	0.63	2.250	2.47	4.00	1/2 x 1/2 x 3-1/4

Dimensions subject to change without notice



Foot Mounted Gearmotor Two & Three-stage



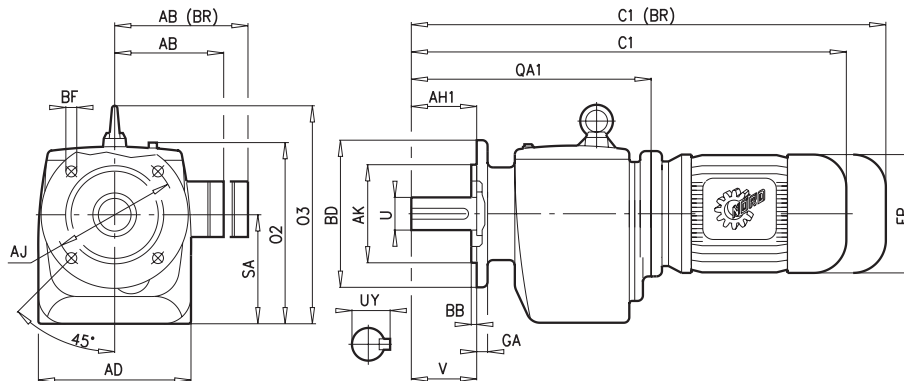
Gearbox type	Motor type		Mounting dimensions (foot)				Outline dimensions											
	Standard efficiency	High efficiency	A	E	G	J	AB	AB (BR)	BA	C	C (BR)	D	FP	N	O	O1	QA	
			B	F	H		BJ											
SK 63	- 90 S/L	SH/LH	12.99	10.24	1.77	2.76	5.79	5.83	6.34	28.90	31.85	9.84	7.20	5.24	15.75	18.90	18.03	
	- 100 L	LH	13.58	11.61	0.87		6.65	6.26	5.43	30.08	33.67		7.91		15.75			
	- 112	MH					7.05	6.69		30.99	34.65		8.98		15.75			
	- 132 S/M	SH/MH					8.03	7.72		34.37	38.59		10.47		15.75			
	- 160 M/L	MH					8.90	8.90		36.85	43.43		12.60		16.14			
	- 160	LH					8.90	8.90		38.43	45.16		12.60		16.14			
	- 180 MX/LX	MH/LH					8.90	8.90		38.43	45.16		12.60		16.14			
- 180						10.20	10.20		42.52	46.66		14.09		16.89				
SK 62	- 132 S/M	SH/MH	12.99	10.24	1.77	2.76	8.03	7.72	6.34	36.19	40.40	9.84	10.47	5.24	15.75	18.90	19.06	
	- 160 M/L	MH	13.58	11.61	0.87		8.90	8.90	5.43	37.88	44.45		12.60		16.14			
	- 160	LH					8.90	8.90		39.45	46.18		12.60		16.14			
	- 180 MX/LX	MH/LH					8.90	8.90		39.45	46.18		12.60		16.14			
	- 180						10.20	10.20		42.76	46.89		14.09		16.89			
	- 200 L	LH					12.05	12.05		46.15	52.72		15.67		17.68			
	- 225 S/M						12.05	12.05		46.15	52.72		15.67		17.68			
	- 225	SH					12.80	—		46.03	—		17.52		18.60			
	- 225	MH					12.80	—		46.03	—		17.52		18.60			
	SK 73	- 100 L	LH	15.75	12.79	2.17	2.76	6.65	6.26	7.04	32.94	36.53	11.02	7.91	5.74	17.60	21.65	20.89
- 112		MH	15.16	12.99	1.02		7.05	6.69	5.94	33.73	37.39		8.98		17.60			
- 132 S/M		SH/MH					8.03	7.72		38.02	42.24		10.47		17.60			
- 160 M/L		MH					8.90	8.90		39.72	46.29		12.60		17.60			
- 160		LH					8.90	8.90		41.29	48.02		12.60		17.60			
- 180 MX/LX		MH/LH					8.90	8.90		41.29	48.02		12.60		17.60			
- 180							10.20	10.20		44.60	48.73		14.09		18.07			
- 200 L		LH					12.05	12.05		47.98	54.56		15.67		18.86			
- 225 S/M							12.05	12.05		47.98	54.56		15.67		18.86			
- 225		SH					12.80	—		47.86	—		17.52		19.78			
- 225	MH					12.80	—		47.86	—		17.52		19.78				
SK 72	- 160 M/L	MH	15.75	12.79	2.17	2.76	8.90	8.90	7.04	39.44	46.02	11.02	12.60	5.74	17.60	21.65	20.62	
	- 160	LH	15.16	12.99	1.02		8.90	8.90	5.94	41.02	47.75		12.60		17.60			
	- 180 MX/LX	MH/LH					8.90	8.90		41.02	47.75		12.60		17.60			
	- 180						10.20	10.20		44.32	48.46		14.09		18.07			
	- 200 L	LH					12.05	12.05		47.71	54.28		15.67		18.86			
	- 225 S/M						12.05	12.05		47.71	54.28		15.67		18.86			
	- 225	SH					12.80	—		47.59	—		17.52		19.78			
- 225	MH					12.80	—		47.59	—		17.52		19.78				

Type	Shaft dimensions			
	U	UY	V	Key
SK 63	2.500	2.77	5.00	5/8 x 5/8 x 4
SK 62	2.500	2.77	5.00	5/8 x 5/8 x 4
SK 73	3.000	3.33	5.50	3/4 x 3/4 x 4-1/2
SK 72	3.000	3.33	5.50	3/4 x 3/4 x 4-1/2

Dimensions subject to change without notice



Flange Mounted Gearmotor Two & Three-stage



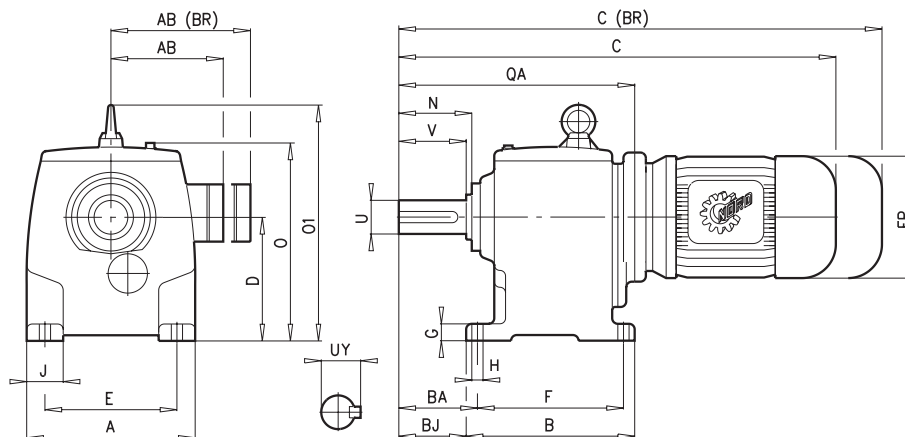
Gearbox type	Motor type	Standard efficiency	High efficiency	Mounting dimensions (flange)			Outline dimensions								
				AJ	BB	BF	AB	AB (BR)	AD	C1	C1 (BR)	FP	O2	O3	QA1
SK 63 F	- 90 S/L	SH/LH	10.43	0.16	0.55	5.79	5.83	12.99	30.63	33.58	7.20	15.55	18.70	19.76	9.65
	- 100 L	LH	9.055	11.81	0.95	6.65	6.26	5.00	31.81	35.39	7.91	15.55			
	- 112	MH				7.05	6.69		32.72	36.38	8.98	15.55			
	- 132 S/M	SH/MH				8.03	7.72		36.10	40.31	10.47	15.55			
	- 160 M/L	MH				8.90	8.90		38.58	45.16	12.60	15.95			
	- 160	LH				8.90	8.90		40.16	46.89	12.60	15.95			
	- 180 MX/LX	MH/LH				8.90	8.90		40.16	46.89	12.60	15.95			
- 180					10.20	10.20		44.25	48.39	14.09	16.70				
SK 62 F	- 132 S/M	SH/MH	10.43	0.16	0.55	8.03	7.72	12.99	37.91	42.13	10.47	15.55	18.70	20.79	9.65
	- 160 M/L	MH	9.055	11.81	0.95	8.90	8.90	5.00	39.61	46.18	12.60	15.95			
	- 160	LH				8.90	8.90		41.18	47.91	12.60	15.95			
	- 180 MX/LX	MH/LH				8.90	8.90		41.18	47.91	12.60	15.95			
	- 180					10.20	10.20		44.49	48.62	14.09	16.70			
	- 200 L	LH				12.05	12.05		47.88	54.45	15.67	17.48			
	- 225 S/M					12.05	12.05		47.88	54.45	15.67	17.48			
	- 225	SH				12.80	—		47.76	—	17.52	18.41			
	- 225	MH				12.80	—		47.76	—	17.52	18.41			
	SK 73 F	- 100 L	LH	11.81	0.20	0.71	6.65	6.26	15.75	35.50	39.08	7.91	17.40	21.46	23.45
- 112		MH	9.843	13.78	0.95	7.05	6.69	5.50	36.29	39.95	8.98	17.40			
- 132 S/M		SH/MH				8.03	7.72		40.58	44.79	10.47	17.40			
- 160 M/L		MH				8.90	8.90		42.27	48.85	12.60	17.13			
- 160		LH				8.90	8.90		43.85	50.58	12.60	17.13			
- 180 MX/LX		MH/LH				8.90	8.90		43.85	50.58	12.60	17.13			
- 180						10.20	10.20		47.15	51.29	14.09	17.88			
- 200 L		LH				12.05	12.05		50.54	57.11	15.67	18.67			
- 225 S/M						12.05	12.05		50.54	57.11	15.67	18.67			
- 225		SH				12.80	—		50.42	—	17.52	19.59			
- 225	MH				12.80	—		50.42	—	17.52	19.59				
SK 72 F	- 160 M/L	MH	11.81	0.20	0.71	8.90	8.90	15.75	42.00	48.57	12.60	17.13	21.46	23.18	10.83
	- 160	LH	9.843	13.78	0.95	8.90	8.90	5.50	43.57	50.30	12.60	17.13			
	- 180 MX/LX	MH/LH				8.90	8.90		43.57	50.30	12.60	17.13			
	- 180					10.20	10.20		46.88	51.01	14.09	17.88			
	- 200 L	LH				12.05	12.05		50.27	56.84	15.67	18.67			
	- 225 S/M					12.05	12.05		50.27	56.84	15.67	18.67			
	- 225	SH				12.80	—		50.15	—	17.52	19.59			
	- 225	MH				12.80	—		50.15	—	17.52	19.59			

Type	Shaft dimensions			
	U	UY	V	Key
SK 63 F	2.500	2.77	5.00	5/8 x 5/8 x 4
SK 62 F	2.500	2.77	5.00	5/8 x 5/8 x 4
SK 73 F	3.000	3.33	5.50	3/4 x 3/4 x 4-1/2
SK 72 F	3.000	3.33	5.50	3/4 x 3/4 x 4-1/2

Dimensions subject to change without notice



Foot Mounted Gearmotor Two & Three-stage



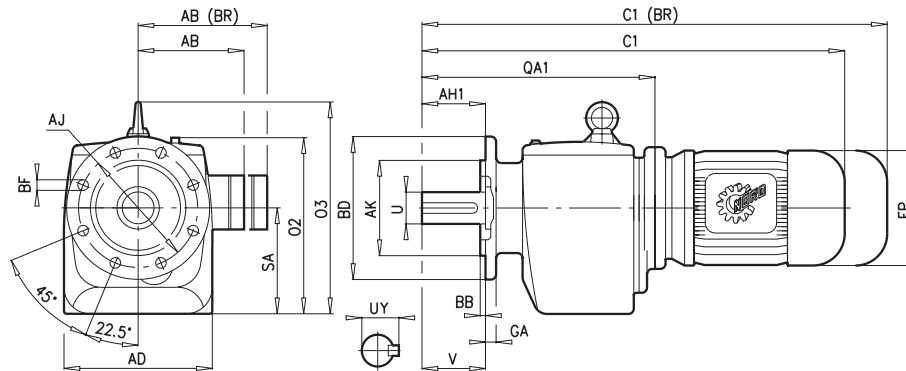
Gearbox type	Motor type		Mounting dimensions (foot)				Outline dimensions									
	Standard efficiency	High efficiency	A	E	G	J	AB	AB (BR)	BA	C	C (BR)	D	FP	N	O	O1
			B	F	H				BJ							QA
SK 83	- 100 L	LH	17.72	14.17	2.17	3.54	6.65	6.26	8.52	36.16	39.75	12.40	7.91	6.99	20.16	25.16
	- 112	MH	18.58	15.75	1.30		7.05	6.69	7.07	36.95	40.61		8.98		20.16	24.12
	- 132 S/M	SH/MH					8.03	7.72		41.24	45.45		10.47		20.16	
	- 160 M/L	MH					8.90	8.90		42.93	49.51		12.60		20.16	
	- 160	LH					8.90	8.90		44.51	51.24		12.60		20.16	
	- 180 MX/LX						8.90	8.90		44.51	51.24		12.60		20.16	
	- 180	MH/LH					10.20	10.20		47.82	51.95		14.09		20.16	
	- 200 L	LH					12.05	12.05		51.21	57.78		15.67		20.24	
	- 225 S/M						12.05	12.05		51.21	57.78		15.67		20.24	
	- 225	SH					12.80	—		51.09	—		17.52		21.16	
	- 225	MH					12.80	—		51.09	—		17.52		21.16	
SK 82	- 160 M/L	MH	17.72	14.17	2.17	3.54	8.90	8.90	8.52	42.90	49.47	12.40	12.60	6.99	20.16	25.16
	- 160	LH	18.58	15.75	1.30		8.90	8.90	7.07	44.47	51.20		12.60		20.16	24.08
	- 200 L	LH					12.05	12.05		51.17	57.74		15.67		20.24	
	- 225 S/M						12.05	12.05		51.17	57.74		15.67		20.24	
	- 225	SH					12.80	—		51.05	—		17.52		21.16	
	- 225	MH					12.80	—		51.05	—		17.52		21.16	
SK 82	- 250 M	MH	17.72	14.17	2.17	3.54	15.43	15.43	8.52	54.63	62.90	12.40	19.49	6.99	22.15	25.16
	- 250	SH	18.58	15.75	1.30		15.43	15.43	7.07	57.39	65.65		19.49		22.15	24.71
	- 280 S						17.91	17.91		58.77	69.99		22.64		23.33	
SK 93	- 132 S/M	SH/MH	21.65	17.32	2.76	4.33	8.03	7.72	10.67	44.99	49.20	15.35	10.47	8.81	24.33	30.83
	- 160 M/L	MH	21.26	17.72	1.30		8.90	8.90	8.89	46.68	53.26		12.60		24.33	27.87
	- 160	LH					8.90	8.90		48.26	54.99		12.60		24.33	
	- 180 MX/LX						8.90	8.90		48.26	54.99		12.60		24.33	
	- 180	MH/LH					10.20	10.20		51.57	55.70		14.09		24.33	
	- 200 L	LH					12.05	12.05		54.96	61.53		15.67		24.33	
	- 225 S/M						12.05	12.05		54.96	61.53		15.67		24.33	
	- 225	SH					12.80	—		54.84	—		17.52		24.11	
	- 225	MH					12.80	—		54.84	—		17.52		24.11	
SK 93	- 250 M	MH	21.65	17.32	2.76	4.33	15.43	15.43	10.67	58.34	66.61	15.35	19.49	8.81	25.10	30.83
	- 250	SH	21.26	17.72	1.30		15.43	15.43	8.89	61.10	69.36		19.49		25.10	28.42
	- 280 S						17.91	17.91		62.48	73.70		22.64		26.28	

Type	Shaft dimensions			
	U	UY	V	Key
SK 83	3.500	3.88	6.75	7/8 x 7/8 x 5-1/2
SK 82	3.500	3.88	6.75	7/8 x 7/8 x 5-1/2
SK 93	4.250	4.69	8.50	1 x 1 x 7-1/4

Dimensions subject to change without notice



Flange Mounted Gearmotor Two & Three-stage



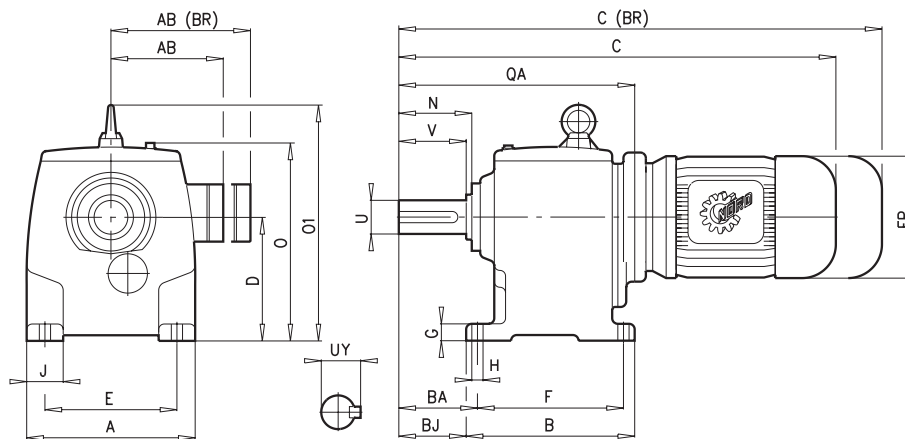
Gearbox type	Motor type		Mounting dimensions (flange)			Outline dimensions								
	Standard efficiency	High efficiency	AJ	BB	BF	AB	AB (BR)	AD	C1	C1 (BR)	FP	O2	O3	QA1
			AK	BD	GA	AH1			SA					
SK 83 F	- 100 L	LH	15.75	0.20	0.71	6.65	6.26	17.72	39.15	42.73	7.91	19.92	24.92	27.10
	- 112	MH	13.780	17.72	1.02	7.05	6.69	6.75	39.94	43.60	8.98	19.92		12.17
	- 132 S/M	SH/MH				8.03	7.72		44.23	48.44	10.47	19.92		
	- 160 M/L	MH				8.90	8.90		45.92	52.50	12.60	19.92		
	- 160	LH				8.90	8.90		47.50	54.23	12.60	19.92		
	- 180 MX/LX					8.90	8.90		47.50	54.23	12.60	19.92		
	- 180	MH/LH				10.20	10.20		50.81	54.94	14.09	19.92		
	- 200 L	LH				12.05	12.05		54.19	60.77	15.67	20.01		
	- 225 S/M					12.05	12.05		54.19	60.77	15.67	20.01		
	- 225	SH				12.80	—		54.07	—	17.52	20.93		
- 225	MH				12.80	—		54.07	—	17.52	20.93			
SK 82 F	- 160 M/L	MH	15.75	0.20	0.71	8.90	8.90	17.72	45.88	52.46	12.60	19.92	24.92	27.06
	- 160	LH	13.780	17.72	1.02	8.90	8.90	6.75	47.46	54.19	12.60	19.92		12.17
	- 200 L	LH				12.05	12.05		54.15	60.73	15.67	20.01		
	- 225 S/M					12.05	12.05		54.15	60.73	15.67	20.01		
	- 225	SH				12.80	—		54.03	—	17.52	20.93		
	- 225	MH				12.80	—		54.03	—	17.52	20.93		
SK 82 F	- 250 M	MH	15.75	0.20	0.71	15.43	15.43	17.72	57.61	65.88	19.49	21.92	24.92	27.69
	- 250	SH	13.780	17.72	1.02	15.43	15.43	6.75	60.37	68.63	19.49	21.92		12.17
	- 280 S					17.91	17.91		61.75	72.97	22.64	23.10		
SK 93 F	- 132 S/M	SH/MH	15.75	0.20	0.71	8.03	7.72	21.65	47.80	52.01	10.47	24.09	30.59	30.67
	- 160 M/L	MH	13.780	17.72	1.10	8.90	8.90	8.50	49.48	56.06	12.60	24.09		15.12
	- 160	LH				8.90	8.90		51.06	57.79	12.60	24.09		
	- 180 MX/LX					8.90	8.90		51.06	57.79	12.60	24.09		
	- 180	MH/LH				10.20	10.20		54.37	58.50	14.09	24.09		
	- 200 L	LH				12.05	12.05		57.76	64.33	15.67	24.09		
	- 225 S/M					12.05	12.05		57.76	64.33	15.67	24.09		
	- 225	SH				12.80	—		57.64	—	17.52	24.09		
- 225	MH				12.80	—		57.64	—	17.52	24.09			
SK 93 F	- 250 M	MH	15.75	0.20	0.71	15.43	15.43	21.65	61.14	69.41	19.49	24.87	30.59	31.22
	- 250	SH	13.780	17.72	1.10	15.43	15.43	8.50	63.90	72.16	19.49	24.87		15.12
	- 280 S					17.91	17.91		65.28	76.50	22.64	26.05		

Type	Shaft dimensions			
	U	UY	V	Key
SK 83 F	3.500	3.88	6.75	7/8 x 7/8 x 5-1/2
SK 82 F	3.500	3.88	6.75	7/8 x 7/8 x 5-1/2
SK 93 F	4.250	4.69	8.50	1 x 1 x 7-1/4

Dimensions subject to change without notice



Foot Mounted Gearmotor Two & Three-stage



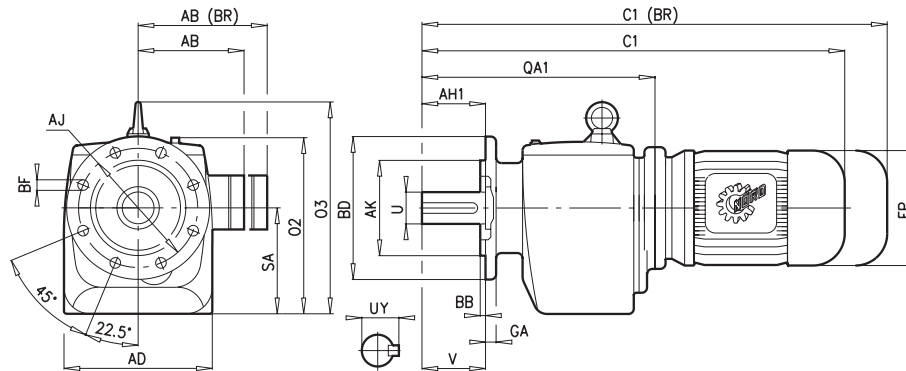
Gearbox type	Motor type		Mounting dimensions (foot)				Outline dimensions										
	Standard efficiency	High efficiency	A	E	G	J	AB	AB (BR)	BA	C	C (BR)	D	FP	N	O	O1	
			B	F	H		BJ										QA
SK 92	- 225 M	MH	21.65	17.32	2.76	4.33	12.05	12.05	10.67	54.96	61.53	15.35	15.67	8.81	24.33	30.83	
	- 225		21.26	17.72	1.30		12.80	—	8.89	54.96	—		17.52		24.33	27.87	
SK 92	- 250 M	MH	21.65	17.32	2.76	4.33	15.43	15.43	10.67	58.34	66.61	15.35	19.49	8.81	25.10	30.83	
	- 250		21.26	17.72	1.30		15.43	15.43	8.89	61.10	69.36		19.49		25.10	28.42	
	- 280 S	SH					17.91	17.91		62.48	73.70		22.64		26.28		
	- 280 M						17.01	17.01		60.70	71.73		21.85		26.28		
	- 280	MH					17.01	17.01		65.03	75.66		21.85		26.28		
	- 315 S		SH					20.28	—		66.61	—		25.39		28.05	
- 315 Ma	MHa						20.28	—		72.12	—		25.39				
SK 103	- 132 S/M	SH/MH	23.62	18.90	3.15	4.72	8.03	7.72	12.76	48.74	52.95	17.72	10.47	10.39	27.80	34.92	
	- 160 M/L		MH	24.61	19.88	1.77		8.90	8.90	10.39	50.43	57.00		12.60		27.80	31.61
	- 160	LH					8.90	8.90		52.00	58.74		12.60		27.80		
	- 180 MX/LX						8.90	8.90		52.00	58.74		12.60		27.80		
	- 180	MH/LH					10.20	10.20		55.31	59.45		14.09		27.80		
	- 200 L		LH				12.05	12.05		58.70	65.27		15.67		27.80		
	- 225 S/M						12.05	12.05		58.70	65.27		15.67		27.80		
	- 225	SH					12.80	—		58.58	—		17.52		27.80		
	- 225		MH				12.80	—		58.58	—		17.52		27.80		
	SK 103	- 250 M	MH	23.62	18.90	3.15	4.72	15.43	15.43	12.76	62.16	70.43	17.72	19.49	10.39	27.80	34.92
- 250		24.61		19.80	1.77		15.43	15.43	10.39	64.92	73.18		19.49		27.80	32.24	
- 280 S		SH					17.91	17.91		66.30	77.52		22.64		28.65		
- 280M							17.01	17.01		64.52	75.55		21.85		28.65		
- 280		MH					17.01	17.01		68.85	79.48		21.85		28.65		
- 315 S						20.28	—		70.43	—		25.39		30.41			
SK 102	- 280 M	MH	23.62	18.90	3.15	4.72	17.01	17.01	12.76	64.17	74.80	17.72	21.85	10.39	28.65	34.92	
	- 280		24.61	19.88	1.77		17.01	17.01	10.39	68.50	79.13		21.85		28.65	31.89	
	- 315 S	SH					20.28	—		70.08	—		25.39		30.41		
	- 315 Ma		MHa				20.28	—		75.59	—		25.39				

Type	Shaft dimensions			
	U	UY	V	Key
SK 92	4.250	4.69	8.50	1 x 1 x 7-1/4
SK 103	5.250	5.80	10.00	1-1/4 x 1-1/4 x 8-3/8
SK 102	5.250	5.80	10.00	1-1/4 x 1-1/4 x 8-3/8

Dimensions subject to change without notice



Flange Mounted Gearmotor Two & Three-stage



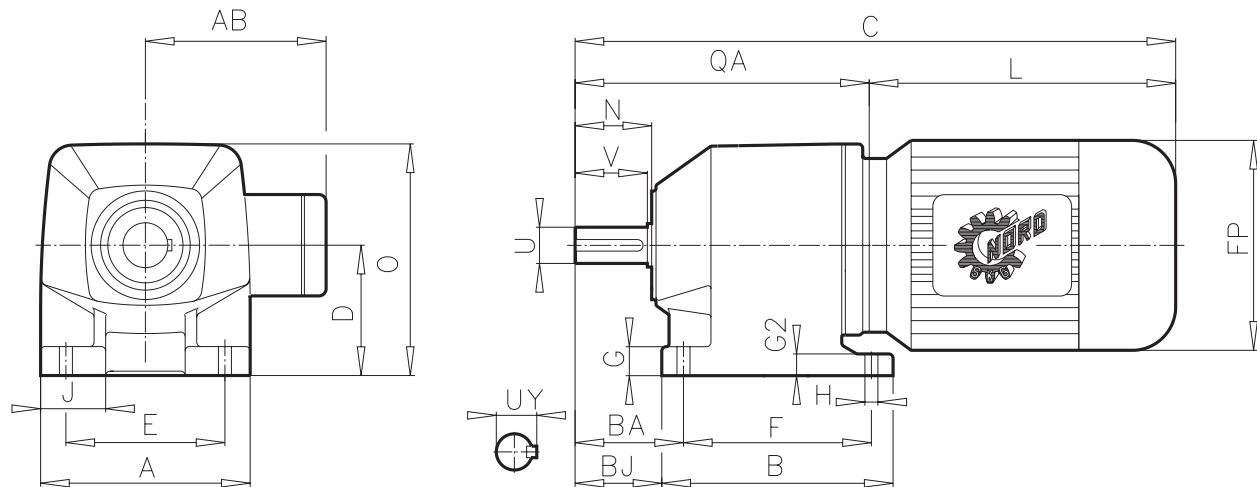
Gearbox type	Motor type		Mounting dimensions (flange)			Outline dimensions								
	Standard efficiency	High efficiency	AJ	BB	BF	AB	AB (BR)	AD	C1	C1 (BR)	FP	O2	O3	QA1
			AK	BD	GA	AH1			SA					
SK 92 F	- 225 M	MH	15.75	0.20	0.71	12.05	12.05	21.65	57.76	64.33	15.67	24.09	30.59	30.67
	- 225		13.780	17.72	1.10	12.80	—	8.50	57.64	—	17.52	24.09	—	15.12
SK 92 F	- 250 M	MH	15.75	0.20	0.71	15.43	15.43	21.65	61.14	69.41	19.49	24.87	30.59	31.22
	- 250		13.780	17.72	1.10	15.43	15.43	8.50	63.90	72.16	19.49	24.87	—	15.12
	- 280 S	SH	—	—	—	17.91	17.91	—	65.28	76.50	22.64	26.05	—	—
	- 280M		—	—	—	17.01	17.01	—	63.50	74.13	21.85	26.05	—	—
	- 280	MH	—	—	—	17.01	17.01	—	67.83	78.46	21.85	26.05	—	—
	- 315 S		SH	—	—	—	20.28	—	—	69.41	—	25.39	28.05	—
- 315 Ma	MHa	—		—	—	20.28	—	—	74.92	—	25.39	28.05	—	—
SK 103 F	- 132 S/M	SH/MH	19.68	0.20	0.71	8.03	7.72	23.62	52.09	56.30	10.47	27.48	34.61	34.96
	- 160 M/L		MH	17.717	21.65	1.26	8.90	8.90	10.00	53.78	60.35	12.60	27.48	—
	- 160	LH	—	—	—	8.90	8.90	—	55.35	62.09	12.60	27.48	—	—
	- 180 MX/LX		—	—	—	8.90	8.90	—	55.35	62.09	12.60	27.48	—	—
	- 180		MH/LH	—	—	—	10.20	10.20	—	58.66	62.80	14.09	27.48	—
	- 200 L	LH		—	—	—	12.05	12.05	—	62.05	68.62	15.67	27.48	—
	- 225 S/M		—	—	—	12.05	12.05	—	62.05	68.62	15.67	27.48	—	—
	- 225	SH	—	—	—	12.80	—	—	61.93	—	17.52	27.48	—	—
	- 225		MH	—	—	—	12.80	—	—	61.93	—	17.52	27.48	—
SK 103 F	- 250 M	MH	19.68	0.20	0.71	15.43	15.43	23.62	65.51	73.78	19.49	27.48	34.61	35.59
	- 250		17.717	21.65	1.26	15.43	15.43	10.00	68.27	76.53	19.49	27.48	—	17.40
	- 280 S	SH	—	—	—	17.91	17.91	—	69.65	80.87	22.64	28.33	—	—
	- 280M		—	—	—	17.01	17.01	—	67.87	78.90	21.85	28.33	—	—
	- 280	MH	—	—	—	17.01	17.01	—	72.20	82.83	21.85	28.33	—	—
	- 315 S		—	—	—	20.28	—	—	73.78	—	25.39	30.41	—	—
SK 102 F	- 280 M	MH	19.68	0.20	0.71	17.01	17.01	23.62	67.52	78.15	21.85	28.33	34.61	35.24
	- 280		17.717	21.65	1.26	17.01	17.01	10.00	71.85	82.48	21.85	28.33	—	17.40
	- 315 S	SH	—	—	—	20.28	—	—	73.43	—	25.39	30.41	—	—
	- 315 Ma		MHa	—	—	—	20.28	—	—	78.94	—	25.39	30.41	—

Type	Shaft dimensions			
	U	UY	V	Key
SK 92 F	4.250	4.69	8.50	1 x 1 x 7-1/4
SK 103 F	5.250	5.80	10.00	1-1/4 x 1-1/4 x 8-3/8
SK 102 F	5.250	5.80	10.00	1-1/4 x 1-1/4 x 8-3/8

Dimensions subject to change without notice



NORDBLOC® - Foot Mounted Gearmotor Two & Three-stage

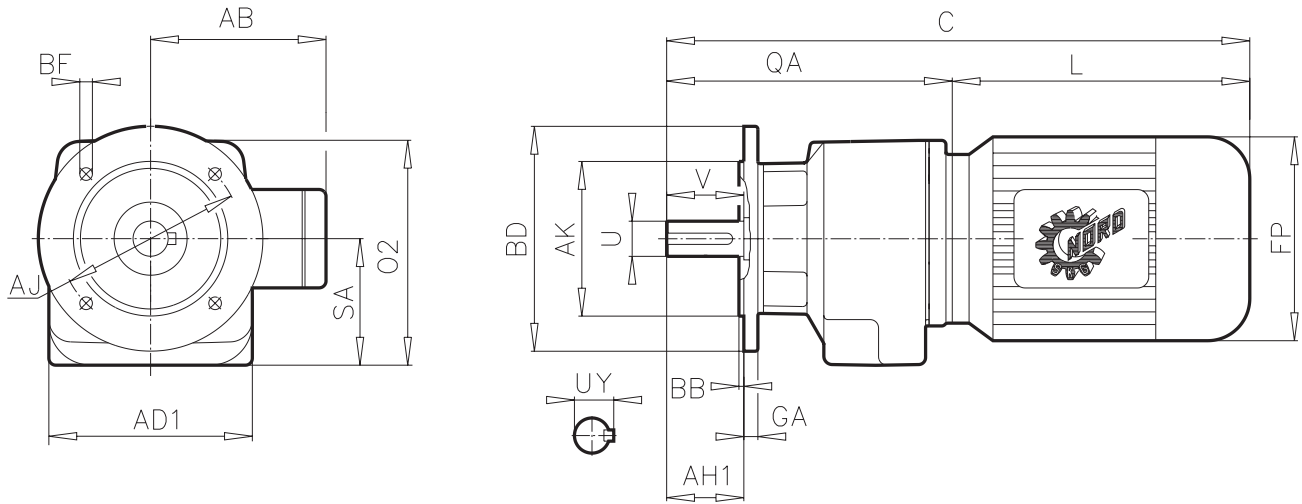


Type	Mounting dimensions (foot)				Outline dimensions										Shaft dimensions		
	A	E	G	H	AB	BA	BJ	C	D	FP	L	N	O	QA	U	UY	V
SK 172 - 63 S/L - 71 S/L - 80 S/L - 90 S/L	5.31	4.33	0.47	0.35	4.33			14.41		5.12	7.56				0.750	0.83	1.57
					4.69	2.28	1.79	15.24	2.95	5.71	8.39	1.65	5.51	6.85			
	5.45	4.33	0.39	0.98	5.51			15.94		6.50	9.09						
					5.71			17.72		7.28	10.87						
SK 272 - 63 S/L - 71 S/L - 80 S/L - 90 S/L - 100 L	5.71	4.33	0.79	0.35	4.33			15.73		5.12	7.56			8.17	1.000	1.11	1.97
					4.69			16.56		5.71	8.39						
					5.51	2.95	2.36	17.26	3.54	6.50	9.09	2.09	6.30				
	6.30	5.12	0.59	1.77	5.71			19.63		7.28	10.87			8.76			
SK 273 - 63 S/L - 71 S/L - 80 S/L	5.71	4.33	0.71	0.35	4.33	2.95	2.52	15.75	3.54	5.12	7.56	2.09	6.10	8.19	1.000	1.11	1.97
					4.69			16.58		5.71	8.39						
					5.51			17.28		6.50	9.09						
	5.98	5.12	0.59	1.77	5.71			19.63		7.28	10.87			8.76			
SK 372 - 63 S/L - 71 S/L - 80 S/L - 90 S/L - 100 L	5.71	4.33	0.79	0.35	4.33			15.73		5.12	7.56			8.17	1.000	1.11	1.97
					4.69			16.56		5.71	8.39						
					5.51	2.95	2.36	17.26	3.54	6.50	9.09	2.09	6.30				
	6.30	5.12	0.59	1.77	5.71			19.63		7.28	10.87			8.76			
SK 373 - 63 S/L - 71 S/L - 80 S/L - 90 S/L - 100 L	5.83	4.33	0.79	0.35	4.33			15.73		5.12	7.56			8.17	1.000	1.11	1.97
					4.69			16.56		5.71	8.39						
					5.51	2.95	2.36	17.26	3.54	6.50	9.09	2.09	6.30				
	6.30	5.12	0.59	1.77	5.71			19.63		7.28	10.87			8.76			
SK 472 - 63 S/L - 71 S/L - 80 S/L - 90 S/L - 100 L - 112 M - 132 S/M	7.48	5.31	0.98	0.53	4.33			17.23		5.12	7.56			9.67	1.250	1.36	2.36
					4.69			18.06		5.71	8.39						
					5.51	3.54	2.85	18.76	4.53	6.50	9.09	2.52	8.27				
	7.87	6.50	0.79	2.36	5.71			21.09		7.28	10.87			10.22			
SK 473 - 63 S/L - 71 S/L - 80 S/L - 90 S/L - 100 L	7.48	5.31	0.98	0.53	4.33			17.23		5.12	7.56			9.67	1.250	1.36	2.36
					4.69			18.06		5.71	8.39						
					5.51	3.54	2.85	18.76	4.53	6.50	9.09						
	4.87	6.50	0.79	2.36	5.71			21.09		7.28	10.87			10.22			
				6.06			22.23		7.99	12.01							

Dimensions subject to change without notice



NORDBLOC® - Flange Mounted Gearmotor Two & Three-stage

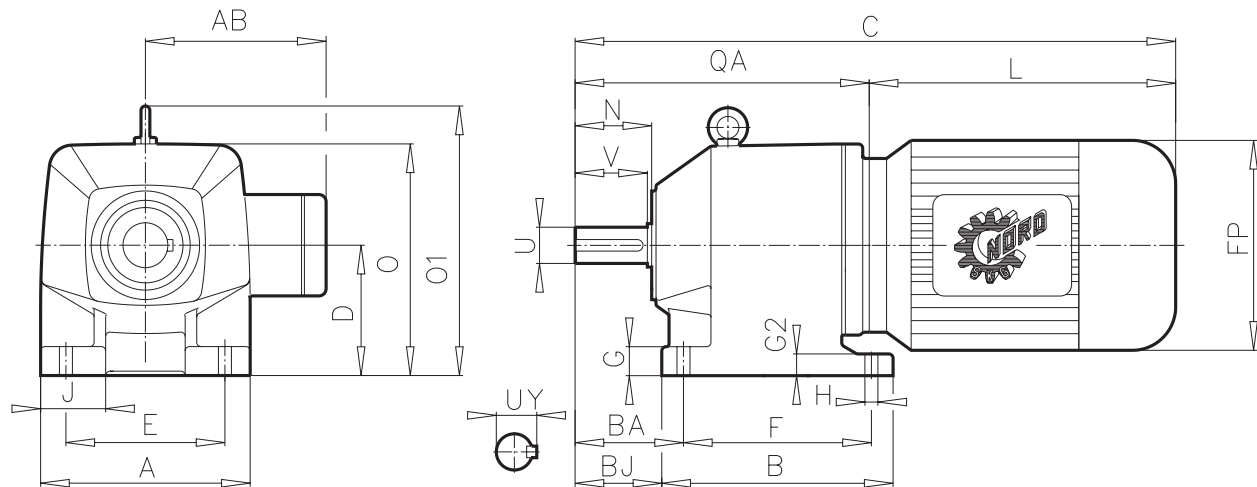


Type	Mounting dimensions (bolt-on B5 flange)						Outline dimensions										Shaft dimensions		
	AJ	AK	BB	BD	BF	GA	AB	AD1	AH1	C	FP	L	O2	QA	SA	U	UY	V	
	Standard shown in bold. Must specify BD dimension.																		
SK 172 F - 63 S/L	3.94	3.150	0.12	4.72	0.26	0.39	4.33			14.41	5.12	7.56				0.750	0.83	1.57	
- 71 S/L	4.53	3.740	0.12	5.51	0.35	0.39	4.69	5.31	1.57	15.24	5.71	8.39	5.59	6.85	3.03				
- 80 S/L	5.12	4.331	0.14	6.30	0.35	0.39	5.51			15.94	6.50	9.09							
- 90 S/L	6.5	5.118	0.14	7.87	0.43	0.47	5.71			17.72	7.28	10.87						3/16 * 3/16 * 1	
SK 272 F - 63 S/L	3.94	3.150	0.12	4.72	0.26	0.39	4.33			15.73	5.12	7.56		8.17		1.000	1.11	1.97	
- 71 S/L	4.53	3.740	0.12	5.51	0.35	0.39	4.69			16.56	5.71	8.39							
- 80 S/L	5.12	4.331	0.14	6.30	0.35	0.39	5.51	5.71	1.97	17.26	6.50	9.09	6.38		3.62				
- 90 S/L	6.50	5.118	0.14	7.87	0.43	0.47	5.71			19.63	7.28	10.87		8.76					
- 100 L	8.46	7.087	0.16	9.84	0.53	0.63	6.06			20.77	7.99	12.01						1/4 * 1/4 * 1-1/4	
SK 273 F - 63 S/L	3.94	3.150	0.12	4.72	0.26	0.39	4.33	5.83	1.97	16.54	5.12	7.56	6.18	8.98	3.62	1.000	1.11	1.97	
- 71 S/L	4.53	3.740	0.12	5.51	0.35	0.39	4.69			17.37	5.71	8.39							
- 80 S/L	5.12	4.331	0.14	6.30	0.35	0.39	5.51			18.07	6.50	9.09							
	6.50	5.118	0.14	7.87	0.43	0.47													
	8.46	7.087	0.16	9.84	0.53	0.63												1/4 * 1/4 * 1-1/4	
SK 372 F - 63 S/L	3.94	3.150	0.12	4.72	0.26	0.39	4.33			15.73	5.12	7.56		8.17		1.000	1.11	1.97	
- 71 S/L	4.53	3.740	0.12	5.51	0.35	0.39	4.69			16.56	5.71	8.39							
- 80 S/L	5.12	4.331	0.14	6.30	0.35	0.39	5.51	5.71	1.97	17.26	6.50	9.09	6.38		3.62			1/4 * 1/4 * 1-1/4	
SK 373 F - 63 S/L	3.94	3.150	0.12	4.72	0.26	0.39	4.33			16.52	5.12	7.56		8.96		1.000	1.11	1.97	
- 71 S/L	4.53	3.740	0.12	5.51	0.35	0.39	4.69	5.83	1.97	17.35	5.71	8.39	6.38		3.62				
- 80 S/L	5.12	4.331	0.14	6.30	0.35	0.39	5.51			18.05	6.50	9.09							
- 90 S/L	6.50	5.118	0.14	7.87	0.43	0.47	5.71			20.42	7.28	10.87		9.55					
- 100 L	8.46	7.087	0.16	9.84	0.53	0.63	6.06			21.56	7.99	12.01						1/4 * 1/4 * 1-1/4	
SK 472 F - 63 S/L	5.12	4.331	0.14	6.30	0.35	0.39	4.33			17.23	5.12	7.56		9.67		1.250	1.36	2.36	
- 71 S/L	6.50	5.118	0.14	7.87	0.43	0.47	4.69			18.06	5.71	8.39							
- 80 S/L	8.46	7.087	0.16	9.84	0.53	0.63	5.51	7.48	2.36	18.76	6.50	9.09	8.35		4.61				
- 90 S/L	10.43	9.055	0.16	11.81	0.53	0.79	5.71			21.09	7.28	10.87		10.22					
- 100 L							6.06			22.23	7.99	12.01							
- 112 M							6.54			23.36	8.98	12.83		10.53					
- 132 S/M							7.64			26.71	10.47	16.18						1/4 * 1/4 * 1-5/8	
SK 473 F - 63 S/L	5.12	4.331	0.14	6.30	0.35	0.39	4.33			17.86	5.12	7.56		10.30		1.250	1.36	2.36	
- 71 S/L	6.50	5.118	0.14	7.87	0.43	0.47	4.69			18.69	5.71	8.39							
- 80 S/L	8.46	7.087	0.16	9.84	0.53	0.63	5.51	7.48	2.36	19.39	6.50	9.09	8.35		4.61				
- 90 S/L	10.43	9.055	0.16	11.81	0.53	0.79	5.71			21.72	7.28	10.87		10.85					
- 100 L							6.06			22.86	7.99	12.01						1/4 * 1/4 * 1-5/8	

Dimensions subject to change without notice



NORDBLOC® - Foot Mounted Gearmotor Two & Three-stage

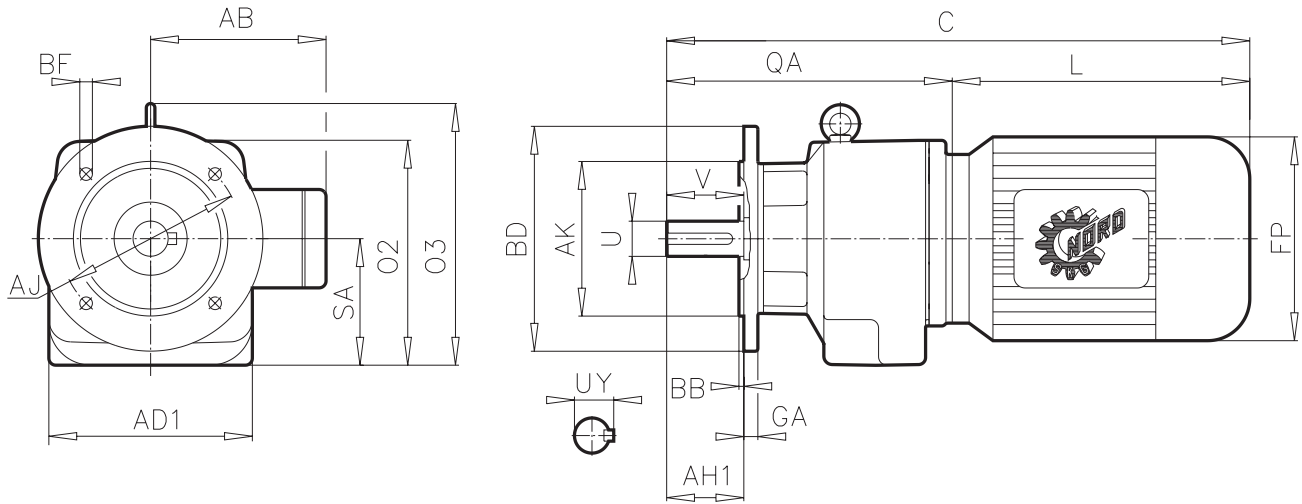


Type	Mounting dimensions (foot)				Outline dimensions										Shaft dimensions			
	A	E	G	H	AB	BA	BJ	C	D	FP	L	N	O	O1	QA	U	UY	V
SK 572	- 80 S/L				5.51			19.15		6.50	9.09				10.06	1.375	1.52	2.75
	- 90 S/L	7.48	5.31	0.98	5.71			21.48		7.28	10.87				10.61			
	- 100 L				6.06	3.94	3.25	22.62	4.53	7.99	12.01	2.91	8.27	--				
	- 112 M	7.87	6.50	0.79	6.54			23.76		8.98	12.83							
- 132 S/M				7.64			27.11		10.47	16.18								
SK 573	- 63 S/L				4.33			17.62		5.12	7.56				10.06	1.375	1.52	2.75
	- 71 S/L	7.48	5.31	0.98	4.69			18.45		5.71	8.39							
	- 80 S/L				5.51	3.94	3.25	19.15	4.53	6.50	9.09	2.91	8.27	--				
	- 90 S/L	7.87	6.50	0.79	5.71			21.48		7.28	10.87				10.61			
	- 100 L				6.06			22.62		7.99	12.01							
	- 112 M				6.54			23.99		8.98	12.83				11.16			
- 132 S/M				7.64			27.34		10.47	16.18								
SK 672	- 80 S/L				5.51			19.98		6.50	9.09				10.89	1.375	1.52	2.75
	- 90 S/L	8.27	5.91	1.18	5.71			22.31		7.28	10.87				11.44			
	- 100 L				6.06	3.94	3.15	23.45	5.12	7.99	12.01	2.91	9.13	10.43				
	- 112 M	9.25	7.68	0.98	6.54			24.58		8.98	12.83				11.75			
- 132 S/M				7.64			27.93		10.47	16.18								
SK 673	- 63 S/L				4.33			18.45		5.12	7.56				10.89	1.375	1.52	2.75
	- 71 S/L	8.27	5.91	1.18	4.69			19.28		5.71	8.39							
	- 80 S/L				5.51	3.94	3.15	19.98	5.12	6.50	9.09	2.91	9.13	10.43				
	- 90 S/L	9.25	7.68	0.98	5.71			22.31		7.28	10.87				11.44			
	- 100 L				6.06			23.45		7.99	12.01							
	- 112 M				6.54			24.58		8.98	12.83				11.75			
- 132 S/M				7.64			27.93		10.47	16.18								
SK 772	- 80 S/L				5.51			20.72		6.50	9.09				11.63	1.625	1.79	3.15
	- 90 S/L	9.06	6.69	1.18	5.71			23.06		7.28	10.87				12.19			
	- 100 L				6.06	4.53	3.74	24.20	5.51	7.99	12.01	3.31	9.92	11.30				
	- 112 M	9.65	8.07	0.98	6.54			25.33		8.98	12.83				12.50			
	- 132 S/M				7.64			28.96		10.47	16.18				12.78			
- 160 M/L				9.21			31.91		12.60	19.13								
SK 773	- 63 S/L				4.33			19.19		5.12	7.56				11.63	1.625	1.79	3.15
	- 71 S/L	9.06	6.69	1.18	4.69			20.02		5.71	8.39							
	- 80 S/L				5.51			20.72		6.50	9.09							
	- 90 S/L	9.65	8.07	0.98	5.71	4.53	3.74	23.06	5.51	7.28	10.87	3.31	9.92	11.30	12.19			
	- 100 L				6.06			24.20		7.99	12.01							
	- 112 M				6.54			25.33		8.98	12.83				12.50			
- 132 S/M				7.64			28.96		10.47	16.18								

Dimensions subject to change without notice



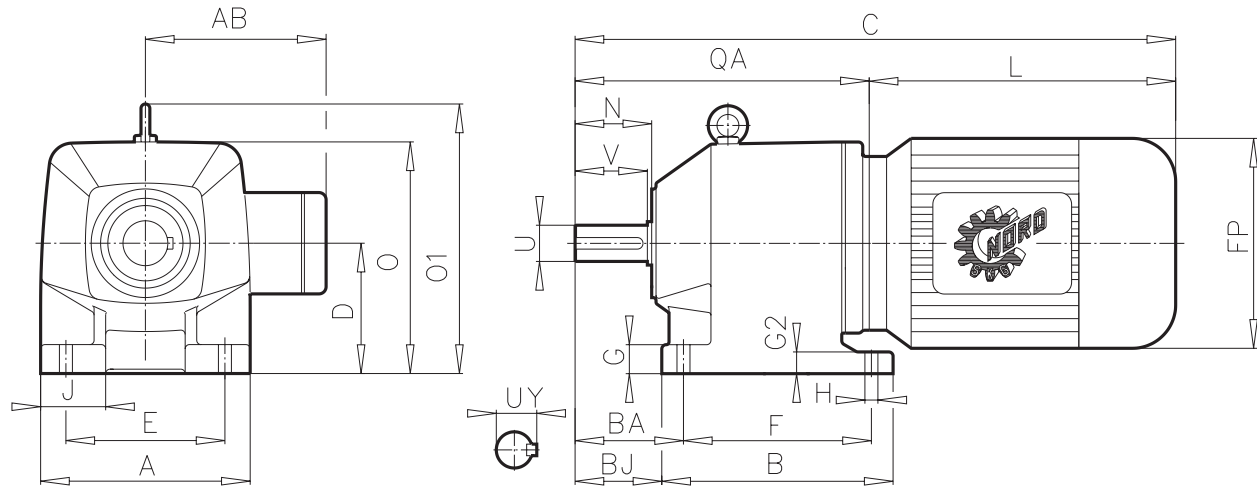
NORDBLOC® - Flange Mounted Gearmotor Two & Three-stage



Type	Mounting dimensions (bolt-on B5 flange)						Outline dimensions										Shaft dimensions			
	AJ	AK	BB	BD	BF	GA	AB	AD1	AH1	C	FP	L	O2	O3	QA	SA	U	UY	V	
	Standard shown in bold. Must specify BD dimension.																	Key		
SK 572 F	- 80 S/L	5.12	4.331	0.14	6.30	0.35	5.51			19.14	6.50	9.09			10.05		1.375	1.52	2.75	
	- 90 S/L	6.50	5.118	0.14	7.87	0.43	5.71			21.47	7.28	10.87			10.60					
	- 100 L	8.46	7.087	0.16	9.84	0.53	6.06	7.48	2.76	22.61	7.99	12.01	8.35	--	4.61					
	- 112 M	10.43	9.055	0.16	11.81	0.53	6.54			23.75	8.98	12.83			10.92					
	- 132 S/M						7.64			27.10	10.47	16.18								5/16 * 5/16 * 2-1/8
SK 573 F	- 63 S/L	5.12	4.331	0.14	6.30	0.35	4.33			18.25	5.12	7.56			10.69		1.375	1.52	2.75	
	- 71 S/L	6.50	5.118	0.14	7.87	0.43	4.69			19.08	5.71	8.39								
	- 80 S/L	8.46	7.087	0.16	9.84	0.53	5.51	7.48	2.76	19.78	6.50	9.09	8.35	--	4.61					
	- 90 S/L	10.43	9.055	0.16	11.81	0.53	5.71			22.00	7.28	10.87			11.23					
	- 100 L						6.06			23.24	7.99	12.01								
	- 112 M						6.54			24.39	8.98	12.83			11.56					5/16 * 5/16 * 2-1/8
- 132 S/M						7.64			27.74	10.47	16.18									
SK 672 F	- 80 S/L	6.50	5.118	0.14	7.87	0.43	5.51			19.97	6.50	9.09			10.88		1.375	1.52	2.75	
	- 90 S/L	8.46	7.087	0.16	9.84	0.53	5.71	8.27	2.76	22.30	7.28	10.87	9.13	10.43	11.43	5.28				
	- 100 L	10.43	9.055	0.16	11.81	0.53	6.06			23.44	7.99	12.01								
	- 112 M						6.54			24.58	8.98	12.83			11.75					
	- 132 S/M						7.64			27.93	10.47	16.18								5/16 * 5/16 * 2-1/8
SK 673 F	- 63 S/L	6.50	5.118	0.14	7.87	0.43	4.33			19.39	5.12	7.56			11.83		1.375	1.52	2.75	
	- 71 S/L	8.46	7.087	0.16	9.84	0.53	4.69			20.22	5.71	8.39								
	- 80 S/L	10.43	9.055	0.16	11.81	0.53	5.51	8.27	2.76	20.92	6.50	9.09	9.13	10.43	5.28					
	- 90 S/L						5.71			23.25	7.28	10.87			12.38					
	- 100 L						6.06			24.39	7.99	12.01								
	- 112 M						6.54			25.53	8.98	12.83			12.70					
- 132 S/M						7.64			28.88	10.47	16.18								5/16 * 5/16 * 2-1/8	
SK 772 F	- 80 S/L	6.50	5.118	0.14	7.87	0.43	5.51			20.72	6.50	9.09			11.63		1.625	1.79	3.15	
	- 90 S/L	8.46	7.087	0.16	9.84	0.53	5.71			23.06	7.28	10.87			12.19					
	- 100 L	10.43	9.055	0.16	11.81	0.53	6.06	9.06	3.15	24.20	7.99	12.01	9.92	11.30	5.51					
	- 112 M						6.54			25.33	8.98	12.83			12.50					
	- 132 S/M						7.64			28.96	10.47	16.18			12.78					
- 160 M/L						9.21			31.91	12.60	19.13								3/8 * 3/8 * 2-1/4	
SK 773 F	- 63 S/L	6.50	5.118	0.14	7.87	0.43	4.33			19.82	5.12	7.56			12.26		1.625	1.79	3.15	
	- 71 S/L	8.46	7.087	0.16	9.84	0.53	4.69			20.65	5.71	8.39								
	- 80 S/L	10.43	9.055	0.16	11.81	0.53	5.51			21.35	6.50	9.09								
	- 90 S/L						5.71	9.06	3.15	23.69	7.28	10.87	9.92	11.30	12.82	5.51				
	- 100 L						6.06			24.83	7.99	12.01								
	- 112 M						6.54			25.96	8.98	12.83			13.13					
- 132 S/M						7.64			29.59	10.47	16.18			13.41					3/8 * 3/8 * 2-1/4	

Dimensions subject to change without notice

NORDBLOC® - Foot Mounted Gearmotor Two & Three-stage

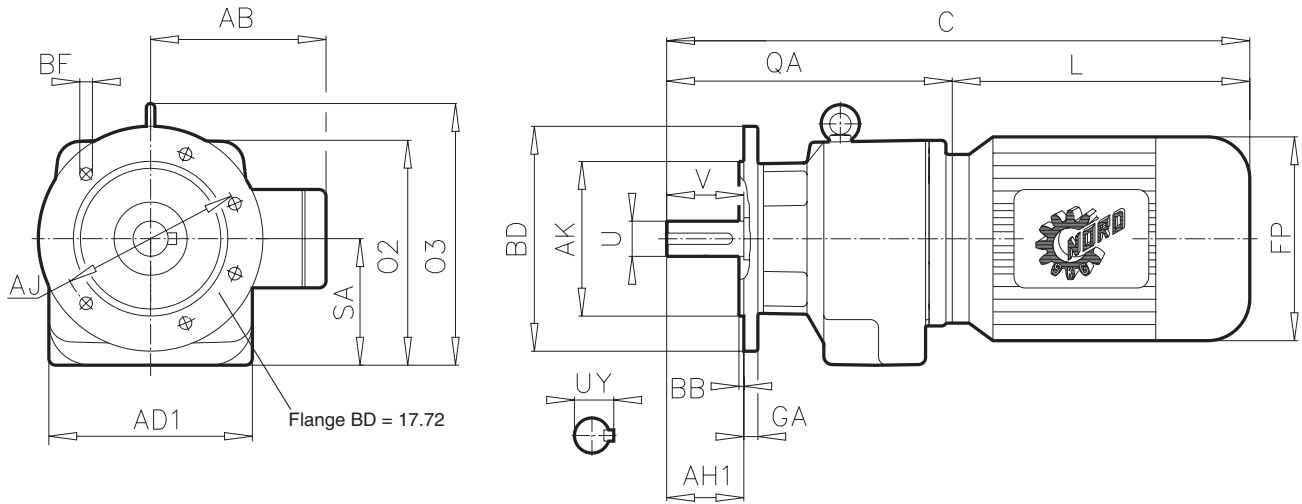


Type	Mounting dimensions (foot)				Outline dimensions										Shaft dimensions			
	A	E	G	H	AB	BA	BJ	C	D	FP	L	N	O	O1	QA	U	UY	V
SK 872 - 90 S/L - 100 L - 112 M - 132 S/M - 160 M/L - 180 M/L	11.42	8.46	1.77	0.69	5.71			25.63		7.28	10.87				14.76	2.125	2.35	3.94
					6.06			26.77		7.99	12.01							
	6.54	5.51	4.53	27.59	7.09	8.98	12.83	4.13	12.76	14.41	15.04							
	7.64			31.46		10.47	16.18				15.28							
	9.21			34.41		12.60	19.13											
10.20			38.98		14.09	23.70							15.28		1/2 * 1/2 * 2-5/8			
SK 873 - 90 S/L - 100 L - 112 M - 132 S/M - 160 M/L	11.42	8.46	1.77	0.69	5.71			25.63		7.28	10.87				14.76	2.125	2.35	3.94
					6.06			26.77		7.99	12.01							
	6.54	5.51	4.53	27.87	7.09	8.98	12.83	4.13	12.76	14.41	15.04							
	7.64			31.46		10.47	16.18				15.28							
	9.21			34.41		12.60	19.13											
10.20			38.98		14.09	23.70							15.28		1/2 * 1/2 * 2-5/8			
SK 972 - 90 S/L - 100 L - 112 M - 132 S/M - 160 M/L - 180 M/L - 200 L - 225 S	13.39	9.84	2.17	0.87	5.71			27.74		7.28	10.87				16.87	2.375	2.65	4.72
					6.06			28.88		7.99	12.01							
					6.54			29.70		8.98	12.83							
	7.64	6.30	5.22	33.29	8.86	10.47	16.18	4.96	15.67	17.68	17.11							
	9.21			36.24		12.60	19.13											
	10.20			40.81		14.09	23.70											
	12.05			44.20		15.67	27.09											
12.05			44.20		15.67	27.09							17.11		5/8 * 5/8 * 3-1/4			
SK 973 - 90 S/L - 100 L - 112 M - 132 S/M - 160 M/L - 180 M/L	13.39	9.84	2.17	0.87	5.71			27.74		7.28	10.87				16.87	2.375	2.65	4.72
					6.06			28.88		7.99	12.01							
					6.54			29.70		8.98	12.83							
	7.64	6.30	5.22	33.29	8.86	10.47	16.18	4.96	15.67	17.68	17.11							
	9.21			36.24		12.60	19.13											
10.20			40.81		14.09	23.70							17.11		5/8 * 5/8 * 3-1/4			

Dimensions subject to change without notice



NORDBLOC® - Flange Mounted Gearmotor Two & Three-stage

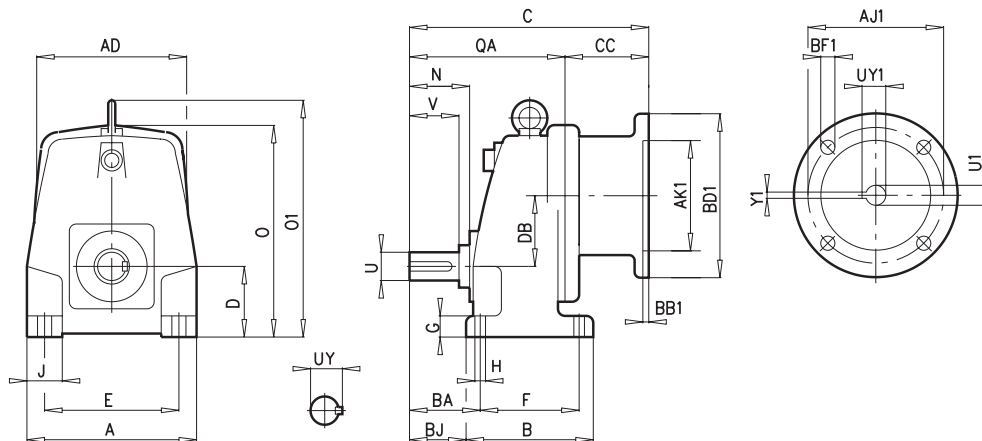


Type	Mounting dimensions (bolt-on B5 flange)						Outline dimensions										Shaft dimensions			
	AJ	AK	BB	BD	BF	GA	AB	AD1	AH1	C	FP	L	O2	O3	QA	SA	U	UY	V	
	Standard shown in bold. Must specify BD dimension.																	Key		
SK 872 F	- 90 S/L	8.46	7.087	0.16	9.84	0.53	5.71			25.63	7.28	10.87			14.76		2.125	2.35	3.94	
	- 100 L	10.43	9.055	0.16	11.81	0.53	6.06			26.77	7.99	12.01								
	- 112 M	11.81	9.843	0.20	13.78	0.69	6.54	11.42	3.94	27.59	8.98	12.83	12.76	14.41	15.04	7.09				
	- 132 S/M						7.64			31.46	10.47	16.18			15.28					
	- 160 M/L						9.21			34.41	12.60	19.13								
	- 180 M/L						10.20			38.98	14.09	23.70			15.28				1/2 * 1/2 * 2-5/8	
SK 873 F	- 90 S/L	8.46	7.087	0.16	9.84	0.53	5.71			25.99	7.28	10.87			15.12		2.125	2.35	3.94	
	- 100 L	10.43	9.055	0.16	11.81	0.53	6.06			27.13	7.99	12.01								
	- 112 M	11.81	9.843	0.20	13.78	0.69	6.54	11.42	3.94	27.95	8.98	12.83	12.76	14.41	15.04	7.09				
	- 132 S/M						7.64			31.81	10.47	16.18			15.63					
	- 160 M/L						9.21			34.76	12.60	19.13							1/2 * 1/2 * 2-5/8	
SK 972 F	- 90 S/L	10.43	9.055	0.16	11.81	0.53	5.71			27.74	7.28	10.87			16.87		2.375	2.65	4.72	
	- 100 L	11.81	9.843	0.20	13.78	0.69	6.06			28.88	7.99	12.01								
	- 112 M	15.75	13.780	0.20	17.72	0.69	6.54			29.70	8.98	12.83								
	- 132 S/M						7.64	13.39	4.72	33.29	10.47	16.18	15.67	17.68	17.11	8.86				
	- 160 M/L						9.21			36.24	12.60	19.13								
	- 180 M/L						10.20			40.81	14.09	23.70			17.11					
	- 200 L						12.05			44.20	15.67	27.09								
	- 225 S						12.05			44.20	15.67	27.09							5/8 * 5/8 * 3-1/4	
SK 973 F	- 90 S/L	10.43	9.055	0.16	11.81	0.53	5.71			28.25	7.28	10.87			17.38		2.375	2.65	4.72	
	- 100 L	11.81	9.843	0.20	13.78	0.69	6.06			29.39	7.99	12.01								
	- 112 M	15.75	13.780	0.20	17.72	0.69	6.54	13.39	4.72	30.21	8.98	12.83	15.67	17.68	8.86					
	- 132 S/M						7.64			33.80	10.47	16.18			17.62					
	- 160 M/L						9.21			36.75	12.60	19.13								
	- 180 M/L						10.20			41.32	14.09	23.70			17.62				5/8 * 5/8 * 3-1/4	

Dimensions subject to change without notice



Foot Mounted Reducer Single-stage - NEMA C-face



Type	Mounting dimensions (foot)				Outline dimensions								Shaft dimensions		
	A	E	G	J	AD	BA	C	CC	D	N	O	O1	U	UY	V
SK 11 E - 56 C - 140 TC - 180 TC	B	F	H			BJ			DB			QA	Key		
	5.31	4.13	0.59	1.18	5.12	2.13	9.35	4.50	2.20	1.65	6.65	—	0.750	0.83	1.50
	3.94	3.15	0.35			1.74	9.35	4.50	1.97		8.70	4.85			
							10.50	5.65			8.70				
SK 21 E - 56 C - 140 TC - 180 TC	7.28	6.30	0.71	1.18	7.87	2.76	10.75	4.60	2.80	2.31	9.14	—	1.000	1.11	2.13
	5.51	4.53	0.43			2.27	10.75	4.60	2.40		9.14	6.15			
							12.75	6.60			9.14				
SK 31 E - 56 C - 140 TC - 180 TC - 210 TC	8.27	6.89	0.79	1.38	7.87	3.50	12.31	4.60	3.35	2.98	10.28	12.13	1.250	1.36	2.75
	6.50	5.31	0.51			2.91	12.31	4.60	2.99		10.28	7.71			
							14.31	6.60			10.28				
							14.31	6.60			10.28				
SK 41 E - 56 C - 140 TC - 180 TC - 210 TC - 250 TC	8.46	6.89	0.98	1.57	9.84	3.94	13.09	4.30	3.94	3.23	12.25	14.33	1.375	1.51	3.00
	8.07	6.50	0.51			3.16	13.09	4.30	3.39		12.25	8.79			
							16.69	7.90			12.25				
							16.69	7.90			12.25				
							16.69	7.90			12.25				
SK 51 E - 56 C - 140 TC - 180 TC - 210 TC - 250 TC - 280 TC	10.24	8.46	1.18	1.77	9.84	4.19	13.65	4.30	4.41	3.48	13.50	15.94	1.625	1.79	3.25
	8.66	7.09	0.71			3.41	13.65	4.30	4.17		13.50	9.35			
							17.25	7.90			13.50				
							17.25	7.90			13.50				
							17.25	7.90			13.50				
							17.66	8.31			13.50				

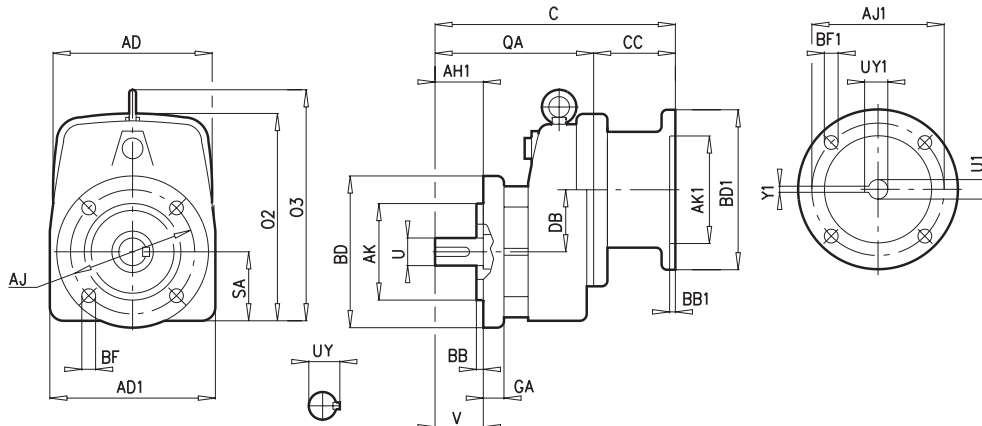
NEMA	AJ1	AK1	BB1	BD1	BF1	U1	UY1	Y1
56 C	5.88	4.500	0.16	6.54	0.43	0.625	0.71	0.188
140 TC	5.88	4.500	0.16	6.54	0.43	0.875	0.96	0.188
180 TC	7.25	8.500	0.23	9.17	0.59	1.125	1.24	0.250
210 TC	7.25	8.500	0.23	9.17	0.59	1.375	1.52	0.312
250 TC	7.25	8.500	0.23	9.17	0.59	1.625	1.80	0.375
280 TC	9.00	10.500	0.23	13.78	0.59	1.875	2.03	0.500

Shaft dimensions	SK 11 E	SK 21 E	SK 31 E	SK 41 E	SK 51 E
U	0.750	1.000	1.250	1.375	1.625
UY	0.83	1.11	1.36	1.51	1.79
V	1.50	2.13	2.75	3.00	3.25
Key	3/16 x 3/16 x 1	1/4 x 1/4 x 1-5/8	1/4 x 1/4 x 2-1/4	5/16 x 5/16 x 2-1/2	3/8 x 3/8 x 2-3/4

Dimensions subject to change without notice



Flange Mounted Reducer Single-stage - NEMA C-face



Type	Mounting dimensions (flange)			Outline dimensions							
	AJ	BB	BF	AD	AH1	C	CC	DB	O2	O3	QA
	AK	BD	GA	AD1							SA
SK 11 EF - 56 C	4.53	0.12	0.35	5.12	1.50	9.35	4.50	1.97	6.65	—	4.85
- 140 TC						9.35	4.50		8.70		
- 180 TC	3.740	5.51	0.39	5.31		10.50	5.65		8.70		2.20
SK 21 EF - 56 C	5.12	0.14	0.35	7.87	2.13	10.75	4.60	2.40	8.94	—	6.15
- 140 TC	4.331	6.30	0.39			10.75	4.60		8.94		2.60
- 180 TC				7.28		12.75	6.60		8.94		
SK 31 EF - 56 C	6.50	0.14	0.43	7.87	2.75	12.31	4.60	2.99	10.16	12.01	7.71
- 140 TC	5.118	7.87	0.47	8.27		12.31	4.60		10.16		3.23
- 180 TC						14.31	6.60		10.16		
- 210 TC						14.31	6.60		10.16		
SK 41 EF - 56 C	8.46	0.16	0.55	9.84	3.00	13.09	4.30	3.39	11.89	13.98	8.79
- 140 TC	7.087	9.84	0.63	8.46		13.09	4.30		11.89		3.58
- 180 TC						16.69	7.90		11.89		
- 210 TC						16.69	7.90		11.89		
- 250 TC						16.69	7.90		11.89		
SK 51 EF - 56 C	10.43	0.16	0.55	9.84	3.25	13.65	4.30	4.17	13.42	15.87	9.35
- 140 TC	9.055	11.81	0.79	10.24		13.65	4.30		13.42		4.33
- 180 TC						17.25	7.90		13.42		
- 210 TC						17.25	7.90		13.42		
- 250 TC						17.25	7.90		13.42		
- 280 TC						17.66	8.31		13.42		

NEMA	AJ1	AK1	BB1	BD1	BF1	U1	UY1	Y1
56 C	5.88	4.500	0.16	6.54	0.43	0.625	0.71	0.188
140 TC	5.88	4.500	0.16	6.54	0.43	0.875	0.96	0.188
180 TC	7.25	8.500	0.23	9.17	0.59	1.125	1.24	0.250
210 TC	7.25	8.500	0.23	9.17	0.59	1.375	1.52	0.312
250 TC	7.25	8.500	0.23	9.17	0.59	1.625	1.80	0.375
280 TC	9.00	10.500	0.23	13.78	0.59	1.875	2.03	0.500

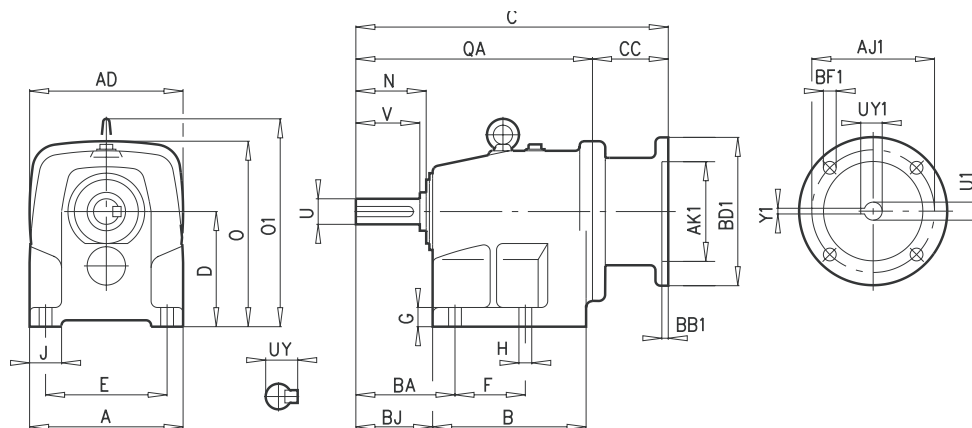
Shaft dimensions	SK 11 EF	SK 21 EF	SK 31 EF	SK 41 EF	SK 51 EF
U	0.750	1.000	1.250	1.375	1.625
UY	0.83	1.11	1.36	1.51	1.79
V	1.50	2.13	2.75	3.00	3.25
Key	3/16 x 3/16 x 1	1/4 x 1/4 x 1-5/8	1/4 x 1/4 x 2-1/4	5/16 x 5/16 x 2-1/2	3/8 x 3/8 x 2-3/4

Additional flange sizes available	SK 11 EF	SK 21 EF	SK 31 EF	SK 41 EF	SK 51 EF
AJ	3.94	4.53	—	6.50	8.46
AK	3.150	3.740	—	5.118	7.087
BB	0.12	0.12	—	0.14	0.16
BD	4.72	5.51	—	7.87	9.84
BF	0.28	0.35	—	0.43	0.55
GA	0.39	0.39	—	0.55	0.63

Dimensions subject to change without notice



Foot Mounted Reducer Two-stage - NEMA C-face



Type	Mounting dimensions (foot)				Outline dimensions									
	A	E	G	J	AD	BA	BJ	C	CC	D	N	O	O1	QA
SK 02 - 56 C - 140 TC	5.12	4.33	0.47	0.98	5.12	1.97	1.58	11.59	4.50	3.39	1.62	6.66	—	7.09
	5.28	2.36	0.35	11.59		4.50			6.66					
SK 12 - 56 C - 140 TC - 180 TC	5.31	4.13	0.59	1.18	5.12	3.23	2.52	12.73	4.50	4.02	2.28	7.29	—	8.23
	5.47	2.44	0.35	12.73		4.50			7.29					
SK 22 - 56 C - 140 TC - 180 TC	7.28	6.30	0.71	1.38	7.87	3.30	2.71	14.40	4.60	4.92	2.95	8.86	—	9.80
	6.89	3.15	0.43	14.40		4.60			8.86					
SK 32 - 56 C - 140 TC - 180 TC - 210 TC	8.27	7.28	0.79	1.57	7.87	3.88	3.21	16.47	4.60	6.10	3.49	10.04	11.50	11.87
	8.43	4.72	0.51	16.47		4.60			10.04					
SK 42 - 56 C - 140 TC - 180 TC - 210 TC - 250 TC	8.46	6.89	0.98	1.57	9.84	5.08	4.13	18.08	4.30	6.89	3.74	11.81	12.87	13.78
	9.41	4.72	0.51	18.08		4.30			11.81					
SK 52 - 56 C - 140 TC - 180 TC - 210 TC - 250 TC - 280 TC	10.24	8.66	1.38	1.77	9.84	5.18	4.39	20.11	4.30	8.35	4.24	13.27	15.16	15.81
	11.14	5.91	0.71	20.11		4.30			13.27					

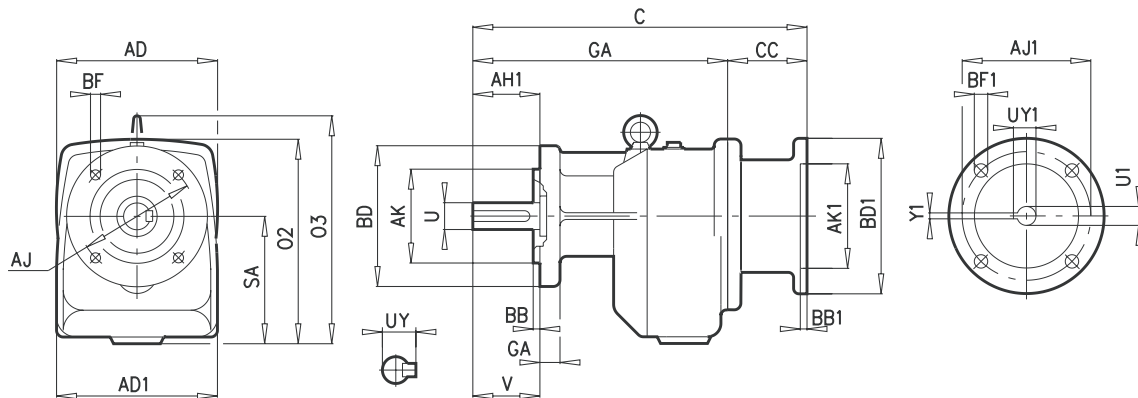
NEMA	AJ1	AK1	BB1	BD1	BF1	U1	UY1	Y1
56 C	5.88	4.500	0.16	6.54	0.43	0.625	0.71	0.188
140 TC	5.88	4.500	0.16	6.54	0.43	0.875	0.96	0.188
180 TC	7.25	8.500	0.23	9.17	0.59	1.125	1.24	0.250
210 TC	7.25	8.500	0.23	9.17	0.59	1.375	1.52	0.312
250 TC	7.25	8.500	0.23	9.17	0.59	1.625	1.80	0.375
280 TC	9.00	10.500	0.23	13.78	0.59	1.875	2.10	0.500

Shaft dimensions	SK 02	SK 12	SK 22	SK 32	SK 42	SK 52
U	0.750	1.000	1.250	1.625	1.875	2.250
UY	0.83	1.11	1.36	1.79	2.10	2.47
V	1.50	2.13	2.75	3.25	3.50	4.00
Key	3/16 x 3/16 x 1-1/4	1/4 x 1/4 x 1-5/8	1/4 x 1/4 x 2-1/4	3/8 x 3/8 x 2-3/4	1/2 x 1/2 x 2-3/4	1/2 x 1/2 x 3-1/4

Dimensions subject to change without notice



Flange Mounted Reducer Two-stage - NEMA C-face



Type	Mounting dimensions (flange)			Outline dimensions								
	AJ	BB	BF	AD	AD1	AH1	C	CC	O2	O3	QA	SA
SK 02 F - 56 C - 140 TC	5.12	0.14	0.35	5.12	5.12	1.50	11.59	4.50	6.77	—	7.09	3.50
	4.331	6.30	0.39									
SK 12 F - 56 C - 140 TC - 180 TC	5.12	0.14	0.35	5.12	5.32	2.13	12.73	4.50	7.44	—	8.23	4.17
	4.331	6.30	0.39									
SK 22 F - 56 C - 140 TC - 180 TC	6.50	0.14	0.43	7.87	7.28	2.75	14.40	4.60	8.86	—	9.80	4.92
	5.118	7.87	0.47									
SK 32 F - 56 C - 140 TC - 180 TC - 210 TC	8.46	0.16	0.55	7.87	8.27	3.25	16.47	4.60	10.04	11.50	11.87	6.10
	7.087	9.84	0.63									
SK 42 F - 56 C - 140 TC - 180 TC - 210 TC - 250 TC	8.46	0.16	0.55	9.84	8.47	3.50	18.08	4.30	11.81	12.87	13.78	6.89
	7.087	9.84	0.63									
SK 52 F - 56 C - 140 TC - 180 TC - 210 TC - 250 TC - 280 TC	10.43	0.16	0.55	9.84	10.24	4.00	20.11	4.30	13.27	15.16	15.81	8.35
	9.055	11.81	0.79									

NEMA	AJ1	AK1	BB1	BD1	BF1	U1	UY1	Y1
56 C	5.88	4.500	0.16	6.54	0.43	0.625	0.71	0.188
140 TC	5.88	4.500	0.16	6.54	0.43	0.875	0.96	0.188
180 TC	7.25	8.500	0.23	9.17	0.59	1.125	1.24	0.250
210 TC	7.25	8.500	0.23	9.17	0.59	1.375	1.52	0.312
250 TC	7.25	8.500	0.23	9.17	0.59	1.625	1.80	0.375
280 TC	9.00	10.500	0.23	13.78	0.59	1.875	2.10	0.500

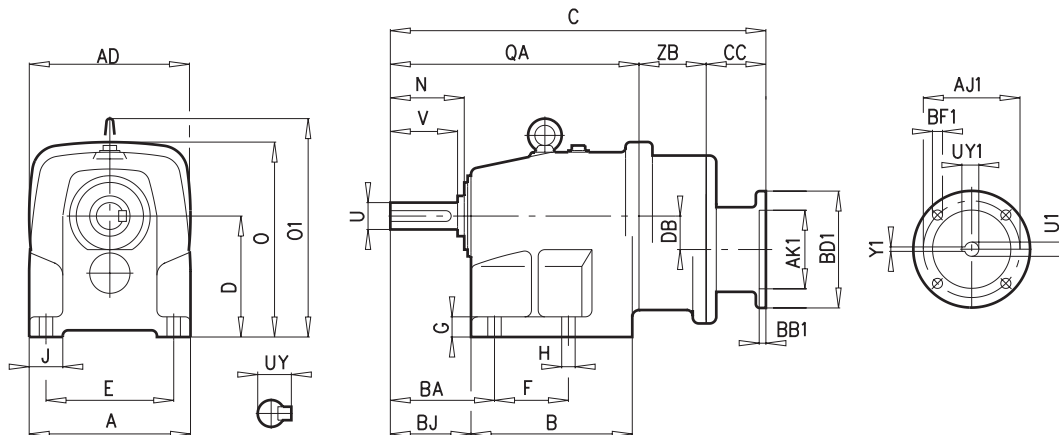
Shaft dimensions	SK 02 F	SK 12 F	SK 22 F	SK 32 F	SK 42 F	SK 52 F
U	0.750	1.000	1.250	1.625	1.875	2.250
UY	0.83	1.11	1.36	1.79	2.09	2.47
V	1.50	2.13	2.75	3.25	3.50	4.00
Key	3/16 x 3/16 x 1-1/4	1/4 x 1/4 x 1-5/8	1/4 x 1/4 x 2-1/4	3/8 x 3/8 x 2-3/4	1/2 x 1/2 x 2-3/4	1/2 x 1/2 x 3-1/4

Additional flange sizes available	SK 02 F	SK 12 F	SK 22 F	SK 32 F	SK 42 F	SK 52 F
AJ	3.94 / 4.53	3.94 / 4.53	5.12	6.50	6.50	8.46
AK	3.150 / 3.740	3.150 / 3.740	4.331	5.118	5.118	7.087
BB	0.12 / 0.12	0.12 / 0.12	0.14	0.14	0.14	0.16
BD	4.72 / 5.51	4.72 / 5.51	6.30	7.87	7.87	9.84
BF	0.28 / 0.35	0.28 / 0.35	0.35	0.43	0.43	0.55
GA	0.39 / 0.39	0.39 / 0.39	0.39	0.47	0.55	0.63

Dimensions subject to change without notice



Foot Mounted Reducer Three-stage - NEMA C-face



Type	Mounting dimensions (foot)				Outline dimensions										
	A	E	G	J	AD	BA	BJ	C	CC	D	N	O	O1	QA	ZB
SK 03 - 56 C	5.12	4.33	0.47	0.98	5.12	1.97	1.57	13.87	4.50	3.39	1.62	6.06	—	7.09	2.28
	5.28	2.36	0.35	1.18						1.18					
SK 13 - 56 C	5.31	4.13	0.59	1.18	5.12	3.23	2.52	15.01	4.50	4.02	2.28	6.69	—	8.23	2.28
	5.47	2.44	0.35	1.18						1.18					
SK 23 - 56 C - 140 TC	7.28	6.30	0.71	1.38	7.87	3.30	2.71	16.66	4.50	4.92	2.95	8.86	—	9.80	2.36
	6.89	3.15	0.43	1.38				16.66	4.50	1.67					
SK 33N - 56 C - 140 TC	8.27	7.28	0.79	1.57	7.87	3.88	3.21	18.73	4.50	6.10	3.49	10.12	11.50	11.87	2.36
	8.43	4.72	0.51	1.57				18.73	4.50	1.97					
SK 43 - 56 C - 140 TC - 180 TC	8.46	6.89	0.98	1.57	9.84	5.08	4.13	21.10	4.60	6.89	3.74	11.81	12.87	13.78	2.72
	9.41	4.72	0.51	1.57				21.10	4.60	2.40					
								23.10	6.60						
SK 53 - 56 C - 140 TC - 180 TC	10.24	8.66	1.38	1.77	9.84	5.18	4.39	23.13	4.60	8.35	4.24	13.27	15.16	15.81	2.72
	11.14	5.91	0.71	1.77				23.13	4.60	2.99					
								25.13	6.60						

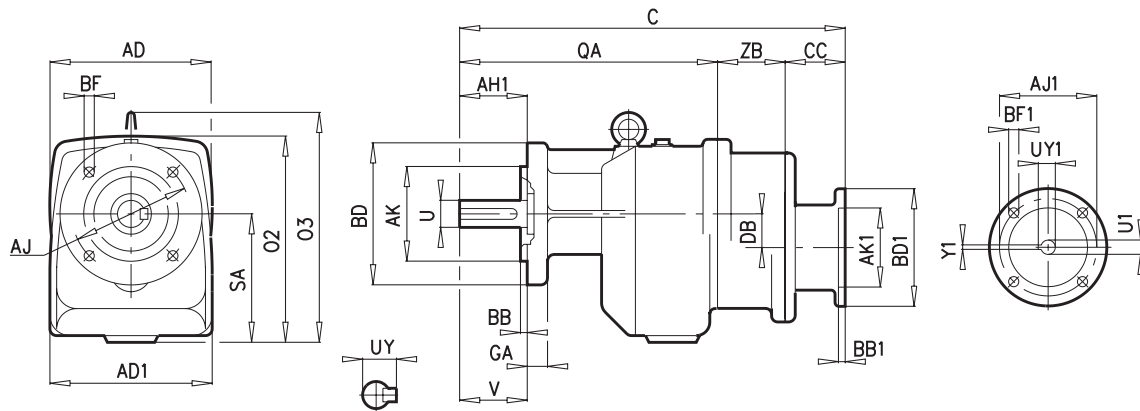
NEMA	AJ1	AK1	BB1	BD1	BF1	U1	UY1	Y1
56 C	5.88	4.500	0.16	6.54	0.43	0.625	0.71	0.188
140 TC	5.88	4.500	0.16	6.54	0.43	0.875	0.96	0.188
180 TC	7.25	8.500	0.23	9.17	0.59	1.125	1.24	0.250

Shaft dimensions	SK 03	SK 13	SK 23	SK 33	SK 43	SK 53
U	0.750	1.000	1.250	1.625	1.875	2.250
UY	0.83	1.11	1.36	1.79	2.09	2.47
V	1.50	2.13	2.75	3.25	3.50	4.00
Key	3/16 x 3/16 x 1-1/4	1/4 x 1/4 x 1-5/8	1/4 x 1/4 x 2-1/4	3/8 x 3/8 x 2-3/4	1/2 x 1/2 x 2-3/4	1/2 x 1/2 x 3-1/4

Dimensions subject to change without notice



Flange Mounted Reducer Three-stage - NEMA C-face



Type	Mounting dimensions (flange)			Outline dimensions									
	AJ	BB	BF	AD	AD1	AH1	C	CC	DB	O2	O3	QA	ZB
	AK	BD	GA									SA	
SK 03 F - 56 C	5.12 4.331	0.14 6.30	0.35 0.39	5.12	5.12	1.50	13.87	4.50	1.18	6.06	—	7.09 3.50	2.28
SK 13 F - 56 C	5.12 4.331	0.14 6.30	0.35 0.39	5.12	5.32	2.13	15.01	4.50	1.18	6.85	—	8.23 4.17	2.28
SK 23 F - 56 C - 140 TC	6.50 5.118	0.14 7.87	0.43 0.47	7.87	7.28	2.75	16.66 16.66	4.50 4.50	1.67	8.86	—	9.80 4.92	2.36
SK 33 NF- 56 C - 140 TC	8.46 7.087	0.16 9.84	0.55 0.63	7.87	8.27	3.25	18.73 18.73	4.50 4.50	1.97	10.16	11.50	11.87 6.10	2.36
SK 43 F - 56 C - 140 TC - 180 TC	8.46 7.087	0.16 9.84	0.55 0.63	9.84	8.47	3.50	21.10 21.10 23.10	4.60 4.60 6.60	2.40	11.81	12.87	13.78 6.89	2.72
SK 53 F - 56 C - 140 TC - 180 TC	10.43 9.055	0.16 11.81	0.55 0.79	9.84	10.24	4.00	23.13 23.13 25.13	4.60 4.60 6.60	2.99	13.27	15.16	15.81 8.35	2.72

NEMA	AJ1	AK1	BB1	BD1	BF1	U1	UY1	Y1
56 C	5.88	4.500	0.16	6.54	0.43	0.625	0.71	0.188
140 TC	5.88	4.500	0.16	6.54	0.43	0.875	0.96	0.188
180 TC	7.25	8.500	0.23	9.17	0.59	1.125	1.24	0.250

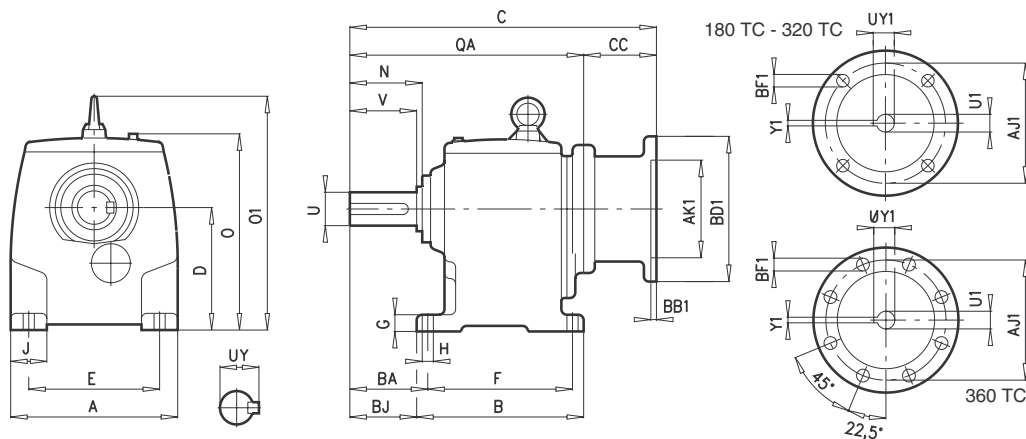
Shaft dimensions	SK 03 F	SK 13 F	SK 23 F	SK 33 NF	SK 43 F	SK 53 F
U	0.750	1.000	1.250	1.625	1.875	2.250
UY	0.83	1.11	1.36	1.79	2.09	2.47
V	1.50	2.13	2.75	3.25	3.50	4.00
Key	3/16 x 3/16 x 1-1/4	1/4 x 1/4 x 1-5/8	1/4 x 1/4 x 2-1/4	3/8 x 3/8 x 2-3/4	1/2 x 1/2 x 2-3/4	1/2 x 1/2 x 3-1/4

Additional flange sizes available	SK 03 F	SK 13 F	SK 23 F	SK 33 NF	SK 43 F	SK 53 F
AJ	3.94 / 4.53	3.94 / 4.53	5.12	6.50	6.50	8.46
AK	3.150 / 3.740	3.150 / 3.740	4.331	5.118	5.118	7.087
BB	0.12 / 0.12	0.12 / 0.12	0.14	0.14	0.14	0.16
BD	4.72 / 5.51	4.72 / 5.51	6.30	7.87	7.87	9.84
BF	0.28 / 0.35	0.28 / 0.35	0.35	0.43	0.43	0.55
GA	0.39 / 0.39	0.39 / 0.39	0.39	0.47	0.55	0.63

Dimensions subject to change without notice



Foot Mounted Reducer Two & Three-stage - NEMA C-face



Type	Mounting dimensions (foot)				Outline dimensions							
	A	E	G	J	BA	C	CC	D	N	O	O1	QA
SK 63 - 56 C - 140 TC - 180 TC - 210 TC - 250 TC - 280 TC												
SK 62 - 180 TC - 210 TC - 250 TC - 280 TC - 320 TC - 360 TC												
SK 73 - 180 TC - 210 TC - 250 TC - 280 TC - 320 TC - 360 TC												
SK 72 - 180 TC - 210 TC - 250 TC - 280 TC - 320 TC - 360 TC												

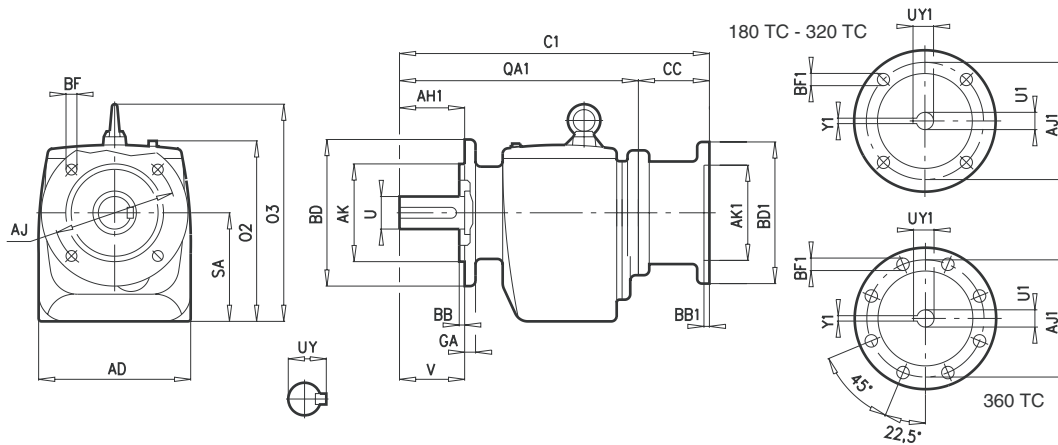
NEMA	AJ1	AK1	BB1	BD1	BF1	U1	UY1	Y1
56 C	5.88	4.500	0.16	6.54	0.43	0.625	0.71	0.188
140 TC	5.88	4.500	0.16	6.54	0.43	0.875	0.96	0.188
180 TC	7.25	8.500	0.23	9.17	0.59	1.125	1.24	0.250
210 TC	7.25	8.500	0.23	9.17	0.59	1.375	1.52	0.312
250 TC	7.25	8.500	0.23	9.17	0.59	1.625	1.80	0.375
280 TC	9.00	10.500	0.23	13.78	0.59	1.875	2.10	0.500
320 TC	11.00	12.500	0.24	15.75	0.75	2.125	2.35	0.500
360 TC	11.00	12.500	0.24	17.71	0.75	2.375	2.65	0.625

Shaft dimensions	SK 63	SK 62	SK 73	SK 72
U	2.500	2.500	3.000	3.000
UY	2.77	2.77	3.33	3.33
V	5.00	5.00	5.50	5.50
Key	5/8 x 5/8 x 4	5/8 x 5/8 x 4	3/4 x 3/4 x 4-1/2	3/4 x 3/4 x 4-1/2

Dimensions subject to change without notice



Flange Mounted Reducer Two & Three-stage - NEMA C-face



Type	Mounting dimensions (flange)			Outline dimensions							
	AJ	BB	BF	AD	AH1	C1	CC	O2	O3	QA1	SA
SK 63 F - 56 C - 140 TC - 180 TC - 210 TC - 250 TC - 280 TC											
	AK	BD	GA								
	10.43	0.16	0.55	12.99	5.00	24.06	4.30	15.55	18.70	19.76	9.65
	9.055	11.81	0.95			24.06	4.30				
						27.66	7.90				
SK 62 F - 180 TC - 210 TC - 250 TC - 280 TC - 320 TC - 360 TC	10.43	0.16	0.55	12.99	5.00	28.29	7.50		18.70	20.79	9.65
	9.055	11.81	0.95			28.29	7.50	15.55			
						32.17	11.38				
						32.17	11.38				
						31.14	10.35				
						34.06	13.27				
SK 73 F - 180 TC - 210 TC - 250 TC - 280 TC - 320 TC - 360 TC	11.81	0.20	0.71	15.75	5.50	30.95	7.50	17.40	21.46	23.45	10.83
	9.843	13.78	0.95			30.95	7.50				
						34.83	11.38				
						34.83	11.38				
						33.80	10.35				
SK 72 F - 180 TC - 210 TC - 250 TC - 280 TC - 320 TC - 360 TC	11.81	0.20	0.71	15.75	5.50	30.68	7.50	17.40	21.46	23.18	10.83
	9.843	13.78	0.95			30.68	7.50				
						34.56	11.38				
						34.56	11.38				
						33.53	10.35				
					36.45	13.27					

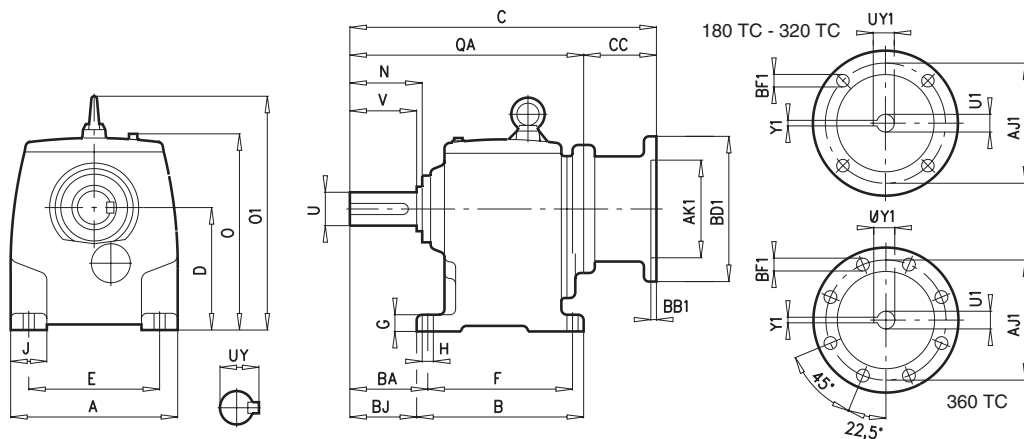
NEMA	AJ1	AK1	BB1	BD1	BF1	U1	UY1	Y1
56 C	5.88	4.500	0.16	6.54	0.43	0.625	0.71	0.188
140 TC	5.88	4.500	0.16	6.54	0.43	0.875	0.96	0.188
180 TC	7.25	8.500	0.23	9.17	0.59	1.125	1.24	0.250
210 TC	7.25	8.500	0.23	9.17	0.59	1.375	1.52	0.312
250 TC	7.25	8.500	0.23	9.17	0.59	1.625	1.80	0.375
280 TC	9.00	10.500	0.23	13.78	0.59	1.875	2.10	0.500
320 TC	11.00	12.500	0.24	15.75	0.75	2.125	2.35	0.500
360 TC	11.00	12.500	0.24	17.71	0.75	2.375	2.65	0.625

Shaft dimensions	SK 63 F	SK 62 F	SK 73 F	SK 72 F
U	2.500	2.500	3.000	3.000
UY	2.77	2.77	3.33	3.33
V	5.00	5.00	5.50	5.50
Key	5/8 x 5/8 x 4	5/8 x 5/8 x 4	3/4 x 3/4 x 4-1/2	3/4 x 3/4 x 4-1/2

Dimensions subject to change without notice



Foot Mounted Reducer Two & Three-stage - NEMA C-face



Type	Mounting dimensions (foot)				Outline dimenions									
	A	E	G	J	BA	BJ	C	CC	D	N	O	O1	QA	
SK 83	- 180 TC	17.72	14.17	2.17	3.54	8.52	7.07	31.61	7.50	12.40	6.99	20.16	25.16	24.11
	- 210 TC	18.58	15.75	1.30		7.07	31.61	7.50						
	- 250 TC						35.49	11.38						
	- 280 TC						35.49	11.38						
	- 320 TC						34.46	10.35						
- 360 TC					37.38	13.27								
SK 82	- 180 TC	17.72	14.17	2.17	3.54	8.52	7.07	31.57	7.50	12.40	6.99	20.16	25.16	24.07
	- 210 TC	18.58	15.75	1.30		7.07	31.57	7.50						
	- 250 TC						35.45	11.38						
	- 280 TC						35.45	11.38						
	- 320 TC						34.42	10.35						
- 360 TC					37.34	13.27								
SK 93	- 180 TC	21.65	17.32	2.76	4.33	10.67	8.89	35.37	7.50	15.35	8.81	24.33	30.83	27.87
	- 210 TC	21.26	17.72	1.30			35.37	7.50						
	- 250 TC						39.25	11.38						
	- 280 TC						39.25	11.38						
	- 320 TC						38.22	10.35						
- 360 TC					41.14	13.27								

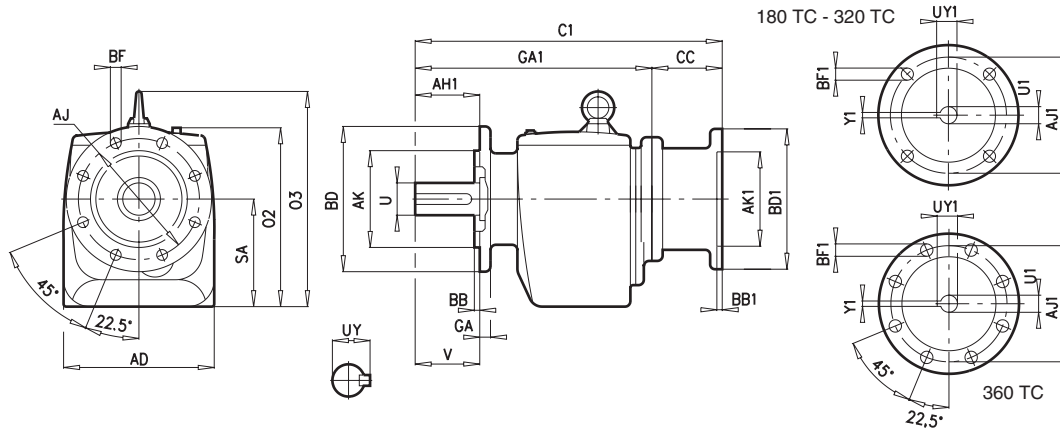
NEMA	AJ1	AK1	BB1	BD1	BF1	U1	UY1	Y1
180 TC	7.25	8.500	0.23	9.17	0.59	1.125	1.24	0.250
210 TC	7.25	8.500	0.23	9.17	0.59	1.375	1.52	0.312
250 TC	7.25	8.500	0.23	9.17	0.59	1.625	1.80	0.375
280 TC	9.00	10.500	0.23	13.78	0.59	1.875	2.10	0.500
320 TC	11.00	12.500	0.24	15.75	0.75	2.125	2.35	0.500
360 TC	11.00	12.500	0.24	17.71	0.75	2.375	2.65	0.625

Shaft dimensions	SK 83	SK 82	SK 93
U	3.500	3.500	4.250
UY	3.88	3.88	4.69
V	6.75	6.75	8.50
Key	7/8 x 7/8 x 5-1/2	7/8 x 7/8 x 5-1/2	1 x 1 x 7-1/4

Dimensions subject to change without notice



Flange Mounted Reducer Two & Three-stage - NEMA C-face



Type	Mounting dimensions (flange)			Outline dimensions							
	AJ	BB	BF	AD	AH1	C1	CC	O2	O3	QA1	SA
	AK	BD	GA								
SK 83 F - 180 TC - 210 TC - 250 TC - 280 TC - 320 TC - 360 TC	15.75	0.20	0.71	17.72	6.75	34.60	7.50	19.92	24.92	27.10	12.17
	13.780	17.72	1.02			34.60	7.50				
						38.48	11.38				
						38.48	11.38				
						37.45	10.35				
SK 82 F - 180 TC - 210 TC - 250 TC - 280 TC - 320 TC - 360 TC	15.75	0.20	0.71	17.72	6.75	34.56	7.50	19.92	24.92	27.06	12.17
	13.780	17.72	1.02			34.56	7.50				
						38.44	11.38				
						38.44	11.38				
						37.41	10.35				
SK 93 F - 180 TC - 210 TC - 250 TC - 280 TC - 320 TC - 360 TC	15.75	0.20	0.71	21.65	8.50	38.17	7.50	24.09	30.59	30.67	15.12
	13.780	17.72	1.10			38.17	7.50				
						42.05	11.38				
						42.05	11.38				
						41.02	10.35				
			43.94	13.27							

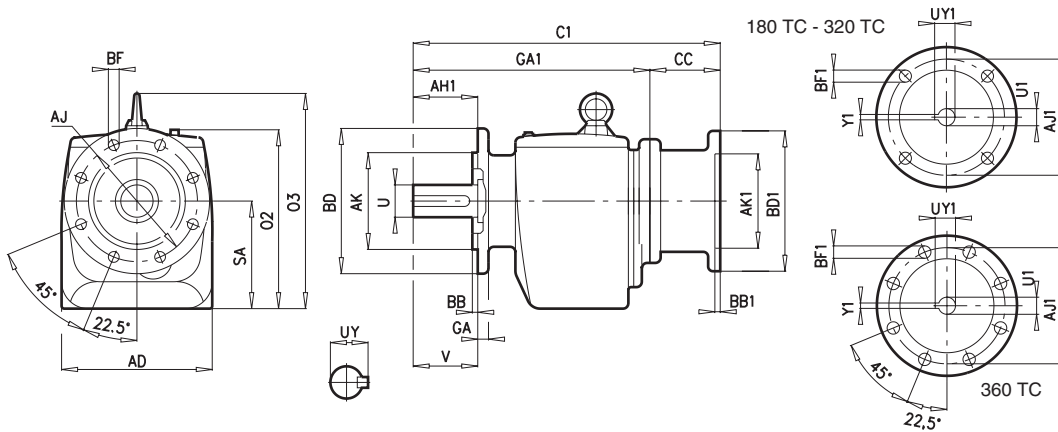
NEMA	AJ1	AK1	BB1	BD1	BF1	U1	UY1	Y1
180 TC	7.25	8.500	0.23	9.17	0.59	1.125	1.24	0.250
210 TC	7.25	8.500	0.23	9.17	0.59	1.375	1.52	0.312
250 TC	7.25	8.500	0.23	9.17	0.59	1.625	1.80	0.375
280 TC	9.00	10.500	0.23	13.78	0.59	1.875	2.10	0.500
320 TC	11.00	12.500	0.24	15.75	0.75	2.125	2.35	0.500
360 TC	11.00	12.500	0.24	17.71	0.75	2.375	2.65	0.625

Shaft dimensions	SK 83 F	SK 82 F	SK 93 F
U	3.500	3.500	4.250
UY	3.88	3.88	4.69
V	6.75	6.75	8.50
Key	7/8 x 7/8 x 5-1/2	7/8 x 7/8 x 5-1/2	1 x 1 x 7-1/4

Dimensions subject to change without notice



Flange Mounted Reducer Two & Three-stage - NEMA C-face



Type	Mounting dimensions (flange)			Outline dimensions							
	AJ	BB	BF	AD	AH1	C1	CC	O2	O3	QA1	SA
	AK	BD	GA								
SK 92 F - 180 TC - 210 TC - 250 TC - 280 TC - 320 TC - 360 TC	15.75	0.20	0.71	21.65	8.50	38.17	7.50	24.09	30.59	30.67	15.12
	13.780	17.72	1.10			38.17	7.50				
						42.05	11.38				
						42.05	11.38				
						41.02	10.35				
SK 103 F - 180 TC - 210 TC - 250 TC - 280 TC - 320 TC - 360 TC	19.68	0.20	0.71	23.62	10.00	42.46	7.50	27.48	34.61	34.96	17.40
	17.717	21.65	1.26			42.46	7.50				
						46.34	11.38				
						46.34	11.38				
						45.31	10.35				
SK 102 F - 250 TC - 280 TC	19.68	0.20	0.71	23.62	10.00	45.59	10.35	27.48	34.61	35.24	17.40
	17.717	21.65	1.26			48.23	13.27				

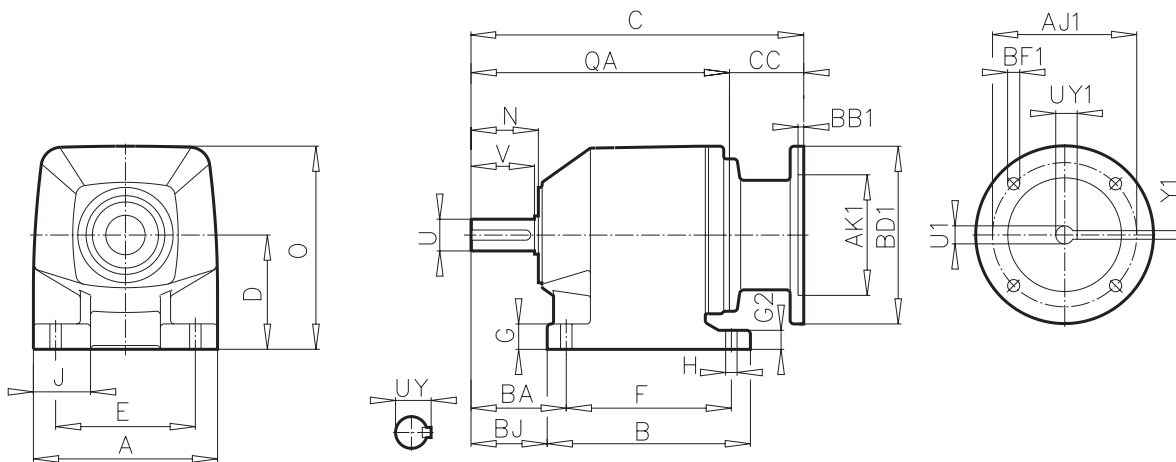
NEMA	AJ1	AK1	BB1	BD1	BF1	U1	UY1	Y1
180 TC	7.25	8.500	0.23	9.17	0.59	1.125	1.24	0.250
210 TC	7.25	8.500	0.23	9.17	0.59	1.375	1.52	0.312
250 TC	7.25	8.500	0.23	9.17	0.59	1.625	1.80	0.375
280 TC	9.00	10.500	0.23	13.78	0.59	1.875	2.10	0.500
320 TC	11.00	12.500	0.24	15.75	0.75	2.125	2.35	0.500
360 TC	11.00	12.500	0.24	17.71	0.75	2.375	2.65	0.625

Shaft dimensions	SK 92 F	SK 103 F	SK 102 F
U	4.250	5.250	5.250
UY	4.69	5.80	5.80
V	8.50	10.00	10.00
Key	1 x 1 x 7-1/4	1-1/4 x 1-1/4 x 8-3/8	1-1/4 x 1-1/4 x 8-3/8

Dimensions subject to change without notice



NORDBLOC® - Foot Mounted Reducer Two & Three-stage - NEMA C-face



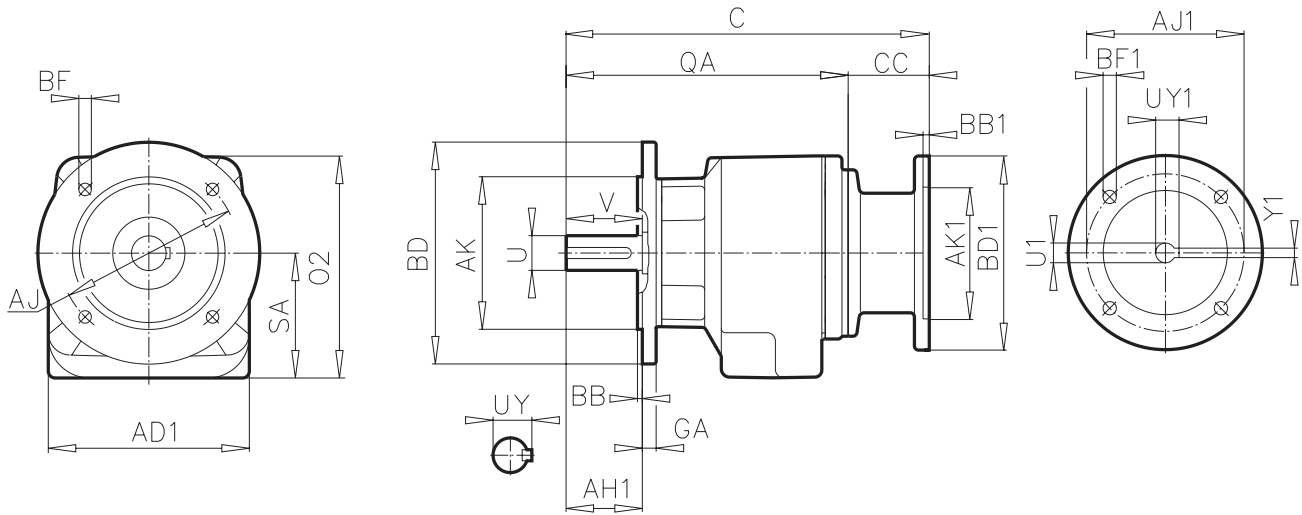
Type	Mounting dimensions (foot)				Outline dimensions								Shaft dimensions		
	A	E	G	H	BA	BJ	C	CC	D	N	O	QA	U	UY	V
SK 172 - 56 C - 140 TC	5.31	4.33	0.47	0.35	2.28	1.79	11.14	4.29	2.95	1.65	5.51	6.85	0.750	0.83	1.57
	5.45	4.33	0.39	0.98			11.14	4.29					3/16 * 3/16 * 1-1/16		
SK 272 - 56 C - 140 TC	5.71	4.33	0.79	0.35	2.95	2.36	12.46	4.29	3.54	2.09	6.30	8.17	1.000	1.11	1.97
	6.30	5.12	0.59	1.77			14.27	5.51				8.76	1/4 * 1/4 * 1-1/4		
SK 273 - 56 C - 140 TC	5.71	4.33	0.71	0.35	2.95	2.52	12.48	4.29	3.54	2.09	6.10	8.19	1.000	1.11	1.97
	5.98	5.12	0.59	1.77			12.48	4.29					1/4 * 1/4 * 1-1/4		
SK 372 - 56 C - 140 TC	5.71	4.33	0.79	0.35	2.95	2.36	12.46	4.29	3.54	2.09	6.30	8.17	1.000	1.11	1.97
	6.30	5.12	0.59	1.77			14.27	5.51				8.76	1/4 * 1/4 * 1-1/4		
SK 373 - 56 C - 140 TC	5.83	4.33	0.79	0.35	2.95	2.36	12.46	4.29	3.54	2.09	6.30	8.17	1.000	1.11	1.97
	6.30	5.12	0.59	1.77			14.27	5.51				8.76	1/4 * 1/4 * 1-1/4		
SK 472 - 56 C - 140 TC - 180 TC - 210 TC	7.48	5.31	0.98	0.53	3.54	2.85	13.96	4.29	4.53	2.52	8.27	9.67	1.250	1.36	2.36
	7.87	6.50	0.79	2.36			18.01	7.48				10.53	1/4 * 1/4 * 1-11/16		
							18.01	7.48							
SK 473 - 56 C - 140 TC - 180 TC - 210 TC	7.48	5.31	0.98	0.53	3.54	2.85	13.96	4.29	4.53	2.52	7.87	9.67	1.250	1.36	2.36
	7.87	6.50	0.79	2.36			18.01	7.48				10.53	1/4 * 1/4 * 1-11/16		
							18.01	7.48							

NEMA	AJ1	AK1	BB1	BD1	BF1	U1	UY1	Y1
56 C	5.88	4.500	0.20	6.61	0.43	0.625	0.71	0.188
140 TC	5.88	4.500	0.20	6.61	0.43	0.875	0.96	0.188
180 TC	7.25	8.500	0.23	9.17	0.59	1.125	1.24	0.250
210 TC	7.25	8.500	0.23	9.17	0.59	1.375	1.52	0.312

Dimensions subject to change without notice



NORDBLOC® - Flange Mounted Reducer Two & Three-stage - NEMA C-face

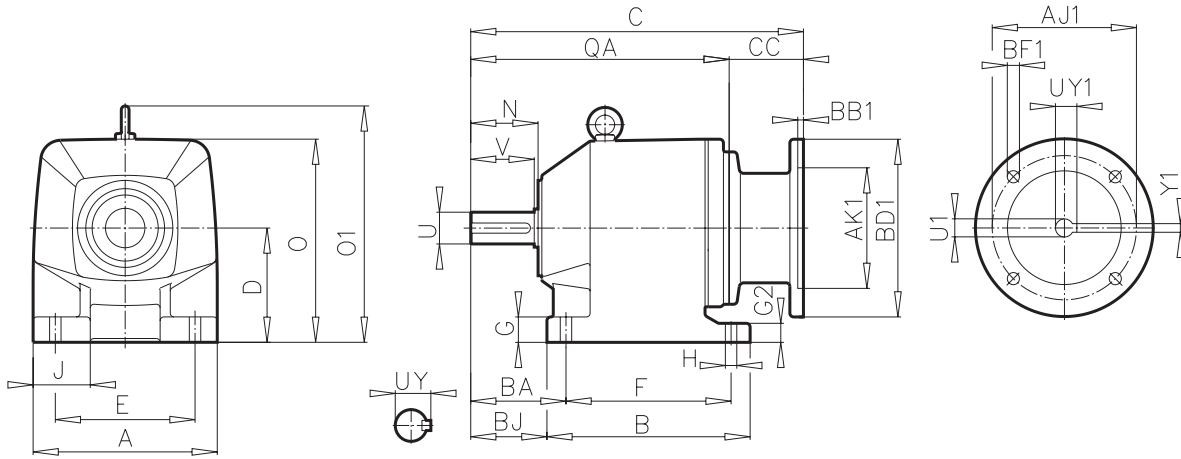


Type	Mounting dimensions (bolt-on B5 flange)						Outline dimensions							Shaft dimensions		
	AJ	AK	BB	BD	BF	GA	AD1	AH1	C	CC	O2	QA	SA	U	UY	V
SK 172 F - 56 C - 140 TC	3.94	3.150	0.12	4.72	0.26	0.39	5.31	1.57	11.14	4.29	5.59	6.85	3.03	0.750	0.83	1.57
	4.53	3.740	0.12	5.51	0.35	0.39			11.14	4.29						
	5.12	4.331	0.14	6.30	0.35	0.39										
	6.50	5.118	0.14	7.87	0.43	0.47										3/16 * 3/16 * 1
SK 272 F - 56 C - 140 TC - 180 TC	3.94	3.150	0.12	4.72	0.26	0.39	5.71	1.97	12.46	4.29		8.17	3.62	1.000	1.11	1.97
	4.53	3.740	0.12	5.51	0.35	0.39			12.46	4.29	6.38	8.76				
	5.12	4.331	0.14	6.30	0.35	0.39			14.27	5.51						
	6.50	5.118	0.14	7.87	0.43	0.47										
SK 273 F - 56 C - 140 TC	3.94	3.150	0.12	4.72	0.26	0.39	5.83	1.97	13.27	4.29	6.18	8.98	3.62	1.000	1.11	1.97
	4.53	3.740	0.12	5.51	0.35	0.39			13.27	4.29						
	5.12	4.331	0.14	6.30	0.35	0.39										
	6.50	5.118	0.14	7.87	0.43	0.47										
SK 372 F - 56 C - 140 TC - 180 TC	3.94	3.150	0.12	4.72	0.26	0.39	5.71	1.97	12.46	4.29		8.17	3.62	1.000	1.11	1.97
	4.53	3.740	0.12	5.51	0.35	0.39			12.46	4.29	6.38	8.76				
	5.12	4.331	0.14	6.30	0.35	0.39			14.27	5.51						
	6.50	5.118	0.14	7.87	0.43	0.47										
SK 373 F - 56 C - 140 TC - 180 TC	3.94	3.150	0.12	4.72	0.26	0.39	5.83	1.97	13.25	4.29		8.96	3.62	1.000	1.11	1.97
	4.53	3.740	0.12	5.51	0.35	0.39			13.25	4.29	6.38	9.55				
	5.12	4.331	0.14	6.30	0.35	0.39			15.06	5.51						
	6.50	5.118	0.14	7.87	0.43	0.47										
SK 472 F - 56 C - 140 TC - 180 TC - 210 TC	5.12	4.331	0.14	6.30	0.35	0.39	7.48	2.36	13.96	4.29		9.67	4.61	1.250	1.36	2.36
	6.50	5.118	0.14	7.87	0.43	0.47			13.96	4.29	8.35	10.53				
	8.46	7.087	0.16	9.84	0.53	0.63			18.01	7.48						
	10.43	9.055	0.16	11.81	0.53	0.79			18.01	7.48						
SK 473 F - 56 C - 140 TC - 180 TC - 210 TC	5.12	4.331	0.14	6.30	0.35	0.39	7.48	2.36	14.59	4.29		10.30	4.61	1.250	1.36	2.36
	6.50	5.118	0.14	7.87	0.43	0.47			14.59	4.29	8.35	11.16				
	8.46	7.087	0.16	9.84	0.53	0.63			18.64	7.48						
	10.43	9.055	0.16	11.81	0.53	0.79			18.64	7.48						

NEMA	AJ1	AK1	BB1	BD1	BF1	U1	UY1	Y1
56 C	5.88	4.500	0.20	6.61	0.43	0.625	0.71	0.188
140 TC	5.88	4.500	0.20	6.61	0.43	0.875	0.96	0.188
180 TC	7.25	8.500	0.23	9.17	0.59	1.125	1.24	0.250
210 TC	7.25	8.500	0.23	9.17	0.59	1.375	1.52	0.312

Dimensions subject to change without notice

NORDBLOC® - Foot Mounted Reducer Two & Three-stage - NEMA C-face



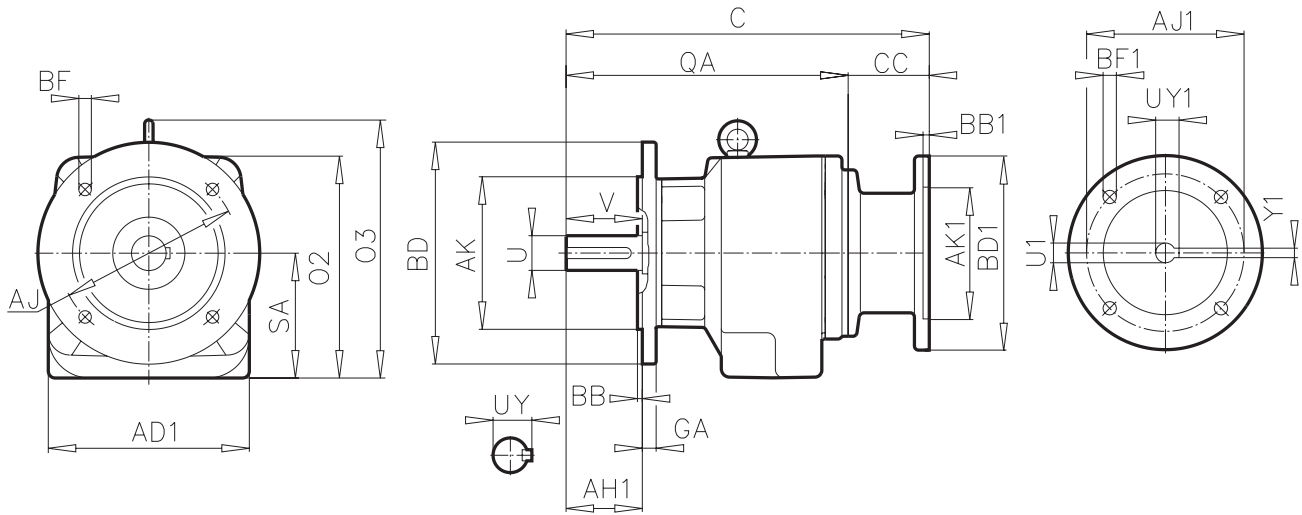
Type	Mounting dimensions (foot)				Outline dimensions								Shaft dimensions			
	A	E	G	H	BA	BJ	C	CC	D	N	O	O1	QA	U	UY	V
SK 572 - 56 C - 140 TC	7.48	5.31	0.98	0.53	3.94	3.25	14.35	4.29	4.53	2.91	8.27	10.06	1.375	1.52	2.75	
	7.87	6.50	0.79	2.36			18.41	7.48								--
SK 573 - 56 C - 140 TC	7.48	5.31	0.98	0.53	3.94	3.25	14.35	4.29	4.53	2.91	8.27	10.06	1.375	1.52	2.75	
	7.87	6.50	0.79	2.36			18.41	7.48								--
SK 672 - 56 C - 140 TC	8.27	5.91	1.18	0.53	3.94	3.15	15.18	4.29	5.12	2.91	9.13	10.43	10.89	1.375	1.52	2.75
	9.25	7.68	0.98	2.36			19.23	7.48								
SK 673 - 56 C - 140 TC	8.27	5.91	1.18	0.53	3.94	3.15	15.18	4.29	5.12	2.91	9.13	10.43	10.89	1.375	1.52	2.75
	9.25	7.68	0.98	2.36			19.23	7.48								
SK 772 - 56 C - 140 TC	9.06	6.69	1.18	0.69	4.53	3.74	15.92	4.29	5.51	3.31	9.92	11.30	11.63	1.625	1.79	3.15
	0.65	8.07	0.98	2.76			19.98	7.48								
SK 773 - 56 C - 140 TC	9.06	6.69	1.18	0.69	4.53	3.74	15.92	4.29	5.51	3.31	9.92	11.30	11.63	1.625	1.79	3.15
	9.65	8.07	0.98	2.76			19.98	7.48								

NEMA	AJ1	AK1	BB1	BD1	BF1	U1	UY1	Y1
56 C	5.88	4.500	0.20	6.61	0.43	0.625	0.71	0.188
140 TC	5.88	4.500	0.20	6.61	0.43	0.875	0.96	0.188
180 TC	7.25	8.500	0.23	9.17	0.59	1.125	1.24	0.250
210 TC	7.25	8.500	0.23	9.17	0.59	1.375	1.52	0.312
250 TC	7.25	8.500	0.23	9.17	0.59	1.625	1.80	0.375

Dimensions subject to change without notice



NORDBLOC® - Flange Mounted Reducer Two & Three-stage - NEMA C-face



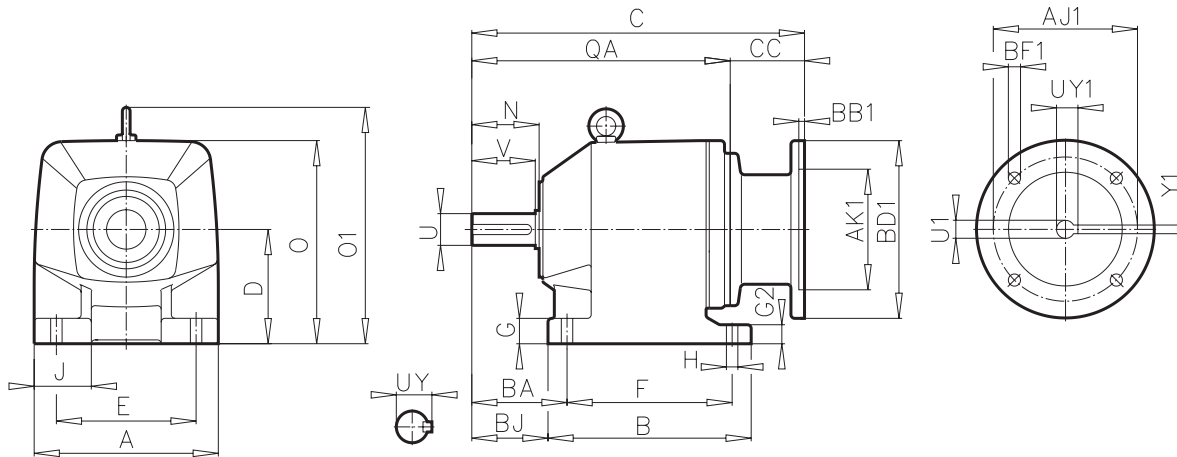
Type	Mounting dimensions (bolt-on B5 flange)						Outline dimensions								Shaft dimensions		
	AJ	AK	BB	BD	BF	GA	AD1	AH1	C	CC	O2	O3	QA	SA	U	UY	V
SK 572 F - 56 C - 140 TC - 180 TC - 210 TC	5.12	4.331	0.14	6.30	0.35	0.39			14.35	4.29			10.06		1.375	1.52	2.75
	6.50	5.118	0.14	7.87	0.43	0.47			14.35	4.29							
	8.46	7.087	0.16	9.84	0.53	0.63	7.48	2.76	18.41	7.48	8.35	--	10.93	4.61			
	10.43	9.055	0.16	11.81	0.53	0.79			18.41	7.48					5/16 * 5/16 * 2-1/8		
SK 573 F - 56 C - 140 TC - 180 TC - 210 TC	5.12	4.331	0.14	6.30	0.35	0.39			14.98	4.29			10.69		1.375	1.52	2.75
	6.50	5.118	0.14	7.87	0.43	0.47			14.98	4.29	8.35	--		4.61			
	8.46	7.087	0.16	9.84	0.53	0.63			19.04	7.48			11.56				
	10.43	9.055	0.16	11.81	0.53	0.79			19.04	7.48					5/16 * 5/16 * 2-1/8		
SK 672 F - 56 C - 140 TC - 180 TC - 210 TC	6.50	5.118	0.14	7.87	0.43	0.47			15.17	4.29			10.88		1.375	1.52	2.75
	8.46	7.087	0.16	9.84	0.53	0.63	8.27	2.76	15.17	4.29	9.13	10.43		5.28			
	10.43	9.055	0.16	11.81	0.53	0.79			19.23	7.48			11.75				
									19.23	7.48					5/16 * 5/16 * 2-1/8		
SK 673 F - 56 C - 140 TC - 180 TC - 210 TC	6.50	5.118	0.14	7.87	0.43	0.47			16.12	4.29			11.83		1.375	1.52	2.75
	8.46	7.087	0.16	9.84	0.53	0.63	8.27	2.76	16.12	4.29	9.13	10.43		5.28			
	10.43	9.055	0.16	11.81	0.53	0.79			20.18	7.48			12.70				
									20.18	7.48					5/16 * 5/16 * 2-1/8		
SK 772 F - 56 C - 140 TC - 180 TC - 210 TC - 250 TC	6.50	5.118	0.14	7.87	0.43	0.47			15.92	4.29			11.63		1.625	1.79	3.15
	8.46	7.087	0.16	9.84	0.53	0.63			15.92	4.29							
	10.43	9.055	0.16	11.81	0.53	0.79	9.06	3.15	19.98	7.48	9.92	11.30	12.50	5.51			
									19.98	7.48					3/8 * 3/8 * 2-1/4		
SK 773 F - 56 C - 140 TC - 180 TC - 210 TC	6.50	5.118	0.14	7.87	0.43	0.47			16.49	4.29			12.26		1.625	1.79	3.15
	8.46	7.087	0.16	9.84	0.53	0.63	9.06	3.15	16.49	4.29	9.92	11.30		5.51			
	10.43	9.055	0.16	11.81	0.53	0.79			20.61	7.48			13.13				
									20.61	7.48					3/8 * 3/8 * 2-1/4		

NEMA	AJ1	AK1	BB1	BD1	BF1	U1	UY1	Y1
56 C	5.88	4.500	0.20	6.61	0.43	0.625	0.71	0.188
140 TC	5.88	4.500	0.20	6.61	0.43	0.875	0.96	0.188
180 TC	7.25	8.500	0.23	9.17	0.59	1.125	1.24	0.250
210 TC	7.25	8.500	0.23	9.17	0.59	1.375	1.52	0.312
250 TC	7.25	8.500	0.23	9.17	0.59	1.625	1.80	0.375

Dimensions subject to change without notice



NORDBLOC® - Foot Mounted Reducer Two & Three-stage - NEMA C-face



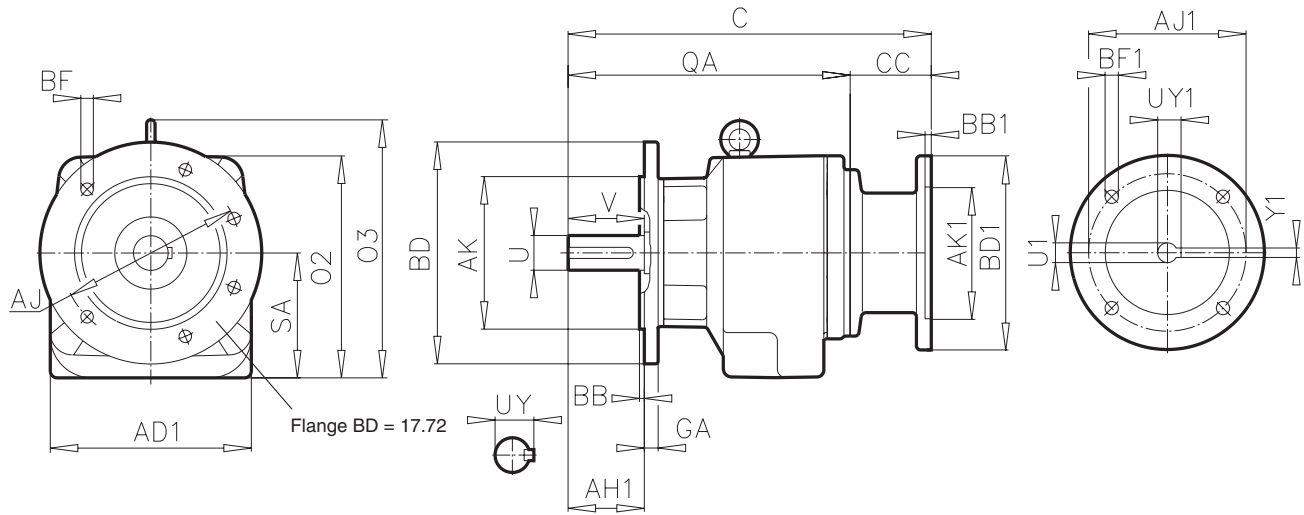
Type	Mounting dimensions (foot)				Outline dimensions									Shaft dimensions		
	A	E	G	H	BA	BJ	C	CC	D	N	O	O1	QA	U	UY	V
SK 872 - 140 TC - 180 TC - 210 TC - 250 TC - 280 TC	11.42	8.46	1.77	0.69	5.51	4.53	19.96	5.20	7.09	4.13	12.76	14.41	14.76	2.125	2.35	3.94
							22.52	7.48					15.04			
	22.52	7.48	15.04													
	23.37	8.09	15.28													
SK 873 - 140 TC - 180 TC - 210 TC - 250 TC - 280 TC	11.42	8.46	1.77	0.69	5.51	4.53	19.96	5.20	7.09	4.13	12.76	14.41	14.76	2.125	2.35	3.94
							22.52	7.48					15.04			
	22.52	7.48	15.04													
	23.37	8.09	15.28													
SK 972 - 140 TC - 180 TC - 210 TC - 250 TC - 280 TC	13.39	9.84	2.17	0.87	6.30	5.22	21.97	5.20	8.86	4.96	15.67	17.68	16.77	2.375	2.65	4.72
							24.35	7.48					16.87			
	24.35	7.48	16.87													
	25.20	8.09	17.11													
SK 973 - 140 TC - 180 TC - 210 TC - 250 TC - 280 TC	13.39	9.84	2.17	0.87	6.30	5.22	21.97	5.20	8.86	4.96	15.67	17.68	16.77	2.375	2.65	4.72
							24.35	7.48					16.87			
	24.35	7.48	16.87													
	25.20	8.09	17.11													

NEMA	AJ1	AK1	BB1	BD1	BF1	U1	UY1	Y1
140 TC	5.88	4.500	0.20	6.61	0.43	0.875	0.96	0.188
180 TC	7.25	8.500	0.23	9.17	0.59	1.125	1.24	0.250
210 TC	7.25	8.500	0.23	9.17	0.59	1.375	1.52	0.312
250 TC	7.25	8.500	0.23	9.17	0.59	1.625	1.80	0.375
280 TC	9.00	10.500	0.23	11.26	0.59	1.875	2.10	0.500

Dimensions subject to change without notice



NORDBLOC® - Flange Mounted Reducer Two & Three-stage - NEMA C-face



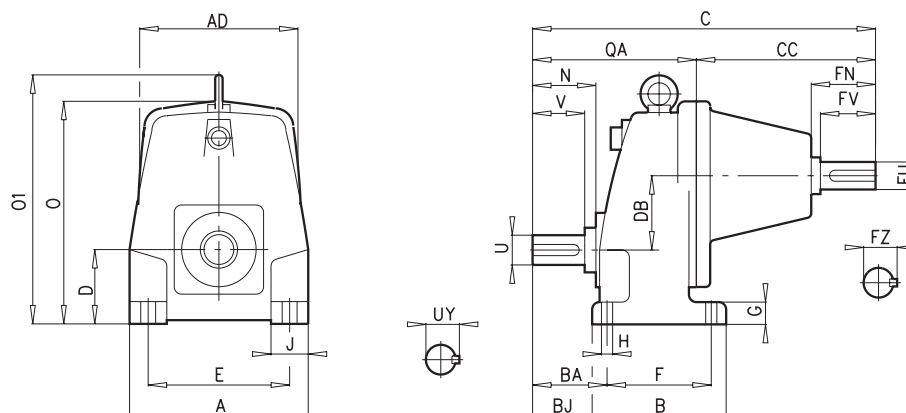
Type	Mounting dimensions (bolt-on B5 flange)						Outline dimensions							Shaft dimensions				
	AJ	AK	BB	BD	BF	GA	AD1	AH1	C	CC	O2	O3	QA	SA	U	UY	V	
	Standard shown in bold. Must specify BD dimension.																	Key
SK 872 F - 140 TC	8.46	7.087	0.16	9.84	0.53	0.63			19.96	5.20			14.76		2.125	2.35	3.94	
- 180 TC	10.43	9.055	0.16	11.81	0.53	0.79			22.52	7.48			15.04					
- 210 TC	11.81	9.843	0.20	13.78	0.69	0.79	11.42	3.94	22.52	7.48	12.76	14.41		7.09				
- 250 TC									23.37	8.09			15.28					
- 280 TC									23.63	8.35							1/2 * 1/2 * 2-5/8	
SK 873 F - 140 TC	8.46	7.087	0.16	9.84	0.53	0.63			20.32	5.20			15.12		2.125	2.35	3.94	
- 180 TC	10.43	9.055	0.16	11.81	0.53	0.79			22.87	7.48			15.39					
- 210 TC	11.81	9.843	0.20	13.78	0.69	0.79	11.42	3.94	22.87	7.48	12.76	14.41		7.09				
- 250 TC									23.72	8.09			15.63					
- 280 TC									23.98	8.35							1/2 * 1/2 * 2-5/8	
SK 972 F - 140 TC	10.43	9.055	0.16	11.81	0.53	0.79			21.97	5.20			16.77		2.375	2.65	4.72	
- 180 TC	11.81	9.843	0.20	13.78	0.69	0.79			24.35	7.48			16.87					
- 210 TC	15.75	13.780	0.20	17.72	0.69	0.87	13.39	4.72	24.35	7.48	15.67	17.68		8.86				
- 250 TC									25.20	8.09			17.11					
- 280 TC									25.46	8.35							5/8 * 5/8 * 3-1/4	
SK 973 F - 140 TC	10.43	9.055	0.16	11.81	0.53	0.79			22.48	5.20			17.28		2.375	2.65	4.72	
- 180 TC	11.81	9.843	0.20	13.78	0.69	0.79			24.86	7.48			17.38					
- 210 TC	15.75	13.780	0.20	17.72	0.69	0.87	13.39	4.72	24.86	7.48	15.67	17.68		8.86				
- 250 TC									25.71	8.09			17.62					
- 280 TC									25.97	8.35							5/8 * 5/8 * 3-1/4	

NEMA	AJ1	AK1	BB1	BD1	BF1	U1	UY1	Y1
140 TC	5.88	4.500	0.20	6.61	0.43	0.875	0.96	0.188
180 TC	7.25	8.500	0.23	9.17	0.59	1.125	1.24	0.250
210 TC	7.25	8.500	0.23	9.17	0.59	1.375	1.52	0.312
250 TC	7.25	8.500	0.23	9.17	0.59	1.625	1.80	0.375
280 TC	9.00	10.500	0.23	11.26	0.59	1.875	2.10	0.500

Dimensions subject to change without notice



Foot Mounted Reducer Single-stage - Solid Input Shaft



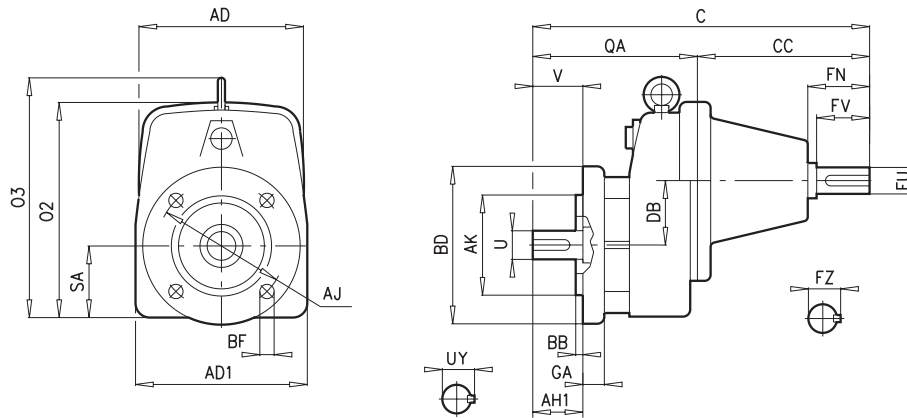
Type	Mounting dimensions (foot)				Outline dimensions								
	A	E	G	J	AD	BA	C	CC	D	FN	N	O	O1
	B	F	H			BJ			DB				QA
SK 11 E - W	5.31 3.94	4.13 3.15	0.59 0.35	1.18	5.12	2.13 1.74	9.58	4.73	2.20 1.97	1.78	1.65	6.73	— 4.85
SK 21 E - W	7.28 5.51	6.30 4.53	0.71 0.43	1.18	7.87	2.76 2.27	12.95	6.80	2.80 2.40	2.31	2.31	9.13	— 6.15
SK 31 E - W	8.27 6.50	6.89 5.31	0.79 0.51	1.38	7.87	3.50 2.91	14.51	6.80	3.35 2.99	2.31	2.98	10.35	12.13 7.71
SK 41 E - W	8.46 8.07	6.89 6.50	0.98 0.51	1.57	9.84	3.94 3.16	17.15	8.36	3.94 3.39	3.43	3.23	12.25	14.33 8.79
SK 51 E - W	10.24 8.66	8.46 7.09	1.18 0.71	1.77	9.84	4.19 3.41	17.71	8.36	4.41 4.17	3.43	3.48	13.50	15.94 9.35

Shaft dimensions: Output shaft					
	SK 11 E	SK 21 E	SK 31 E	SK 41 E	SK 51 E
U	0.750	1.000	1.250	1.375	1.625
UY	0.83	1.11	1.36	1.51	1.79
V	1.50	2.13	2.75	3.00	3.25
Key	3/16 x 3/16 x 1-1/4	1/4 x 1/4 x 1-5/8	1/4 x 1/4 x 2-1/4	5/16 x 5/16 x 2-1/2	3/8 x 3/8 x 2-3/4
Shaft dimensions: Input shaft					
FU	0.625	0.875	0.875	1.500	1.500
FZ	0.70	0.96	0.96	1.66	1.66
FV	1.50	2.00	2.00	3.12	3.12
Key	3/16 x 3/16 x 1-1/4	3/16 x 3/16 x 1-5/8	3/16 x 3/16 x 1-5/8	3/8 x 3/8 x 2-1/2	3/8 x 3/8 x 2-1/2

Dimensions subject to change without notice



Flange Mounted Reducer Single-stage - Solid Input Shaft



Type	Mounting dimensions (Flange)			Outline dimensions								
	AJ	BB	BF	AD	AH1	C	CC	DB	FN	O2	O3	QA
	AK	BD	GA	AD1								SA
SK 11 EF - W	4.53	0.12	0.35	5.12	1.50	9.58	4.73	1.97	1.78	6.73	—	4.85
	3.740	5.51	0.39	5.31								2.20
SK 21 EF - W	5.12	0.14	0.35	7.87	2.13	12.95	6.80	2.40	2.31	8.94	—	6.15
	4.331	6.30	0.39	7.28								2.60
SK 31 EF - W	6.50	0.14	0.43	7.87	2.75	14.51	6.80	2.99	2.31	10.24	12.01	7.71
	5.118	7.87	0.47	8.27								3.23
SK 41 EF - W	8.46	0.16	0.55	9.84	3.00	17.15	8.36	3.39	3.43	11.89	13.98	8.79
	7.087	9.84	0.63	8.46								3.58
SK 51 EF - W	10.43	0.16	0.55	9.84	3.25	17.71	8.36	4.17	3.43	13.42	15.87	9.35
	9.055	11.81	0.79	10.24								4.33

Shaft dimensions: Output shaft

	SK 11 EF	SK 21 EF	SK 31 EF	SK 41 EF	SK 51 EF
U	0.750	1.000	1.250	1.375	1.625
UY	0.83	1.11	1.36	1.51	1.79
V	1.50	2.13	2.75	3.00	3.25
Key	3/16 x 3/16 x 1-1/4	1/4 x 1/4 x 1-5/8	1/4 x 1/4 x 2-1/4	5/16 x 5/16 x 2-1/2	3/8 x 3/8 x 2-3/4

Shaft dimensions: Input shaft

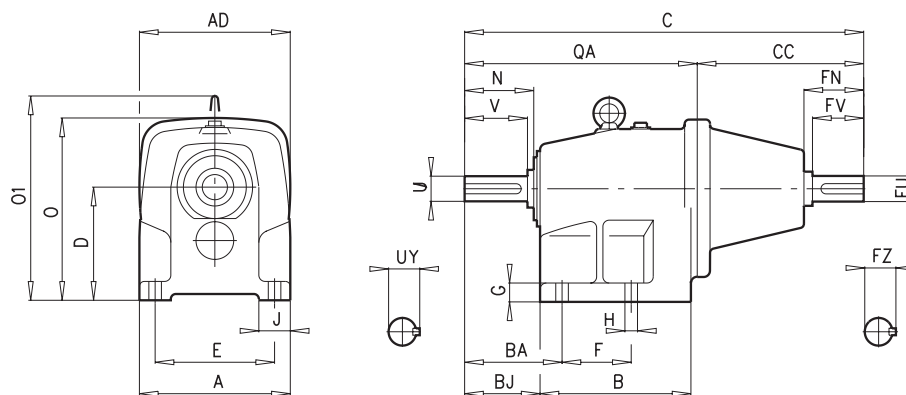
FU	0.625	0.875	0.875	1.500	1.500
FZ	0.70	0.96	0.96	1.66	1.66
FV	1.50	2.00	2.00	3.12	3.12
Key	3/16 x 3/16 x 1-1/4	3/16 x 3/16 x 1-5/8	3/16 x 3/16 x 1-5/8	3/8 x 3/8 x 2-1/2	3/8 x 3/8 x 2-1/2

Additional flange sizes available	SK 11 EF	SK 21 EF	SK 31 EF	SK 41 EF	SK 51 EF
AJ	3.94	4.53	—	6.50	8.46
AK	3.150	3.740	—	5.118	7.087
BB	0.12	0.12	—	0.14	0.16
BD	4.72	5.51	—	7.87	9.84
BF	0.28	0.35	—	0.43	0.55
GA	0.39	0.39	—	0.55	0.63

Dimensions subject to change without notice



Foot Mounted Reducer Two-stage - Solid Input Shaft



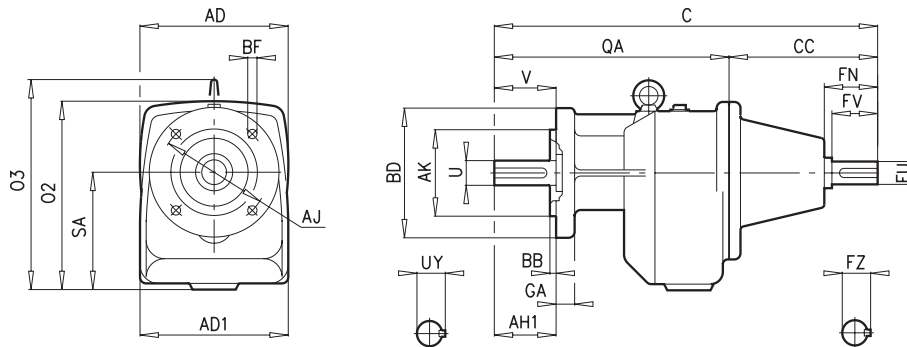
Type	Mounting dimensions (foot)				Outline dimensions								
	A	E	G	J	AD	BA	C	CC	D	FN	N	O	O1
	B	F	H			BJ							QA
SK 02 - W	5.12	4.33	0.47	0.98	5.12	1.97	11.82	4.73	3.39	1.78	1.62	5.87	—
	5.28	2.36	0.35			1.58							7.09
SK 12 - W	5.31	4.13	0.59	1.18	5.12	3.23	12.96	4.73	4.02	1.78	2.28	6.50	—
	5.47	2.44	0.35			2.52							8.23
SK 22 - W	7.28	6.30	0.71	1.38	7.87	3.30	16.60	6.80	4.92	2.31	2.95	8.86	—
	6.89	3.15	0.43			2.71							9.80
SK 32 - W	8.27	7.28	0.79	1.57	7.87	3.88	18.67	6.80	6.10	2.31	3.49	10.04	11.50
	8.43	4.72	0.51			3.21							11.87
SK 42 - W	8.46	6.89	0.98	1.57	9.84	5.08	22.14	8.36	6.89	3.43	3.74	11.81	12.87
	9.41	4.72	0.51			4.13							13.78
SK 52 - W	10.24	8.66	1.38	1.77	9.84	5.18	24.17	8.36	8.35	3.43	4.24	13.27	15.16
	11.14	5.91	0.71			4.39							15.81

Shaft dimensions: Output shaft						
	SK 02	SK 12	SK 22	SK 32	SK 42	SK 52
U	0.750	1.000	1.250	1.625	1.875	2.250
UY	0.83	1.11	1.36	1.79	2.09	2.47
V	1.50	2.13	2.75	3.25	3.50	4.00
Key	3/16 x 3/16 x 1-1/4	1/4 x 1/4 x 1-5/8	1/4 x 1/4 x 2-1/4	3/8 x 3/8 x 2-3/4	1/2 x 1/2 x 2-3/4	1/2 x 1/2 x 3-1/4
Shaft dimensions: Input shaft						
FU	0.625	0.625	0.875	0.875	1.500	1.500
FZ	0.70	0.70	0.96	0.96	1.66	1.66
FV	1.50	1.50	2.00	2.00	3.12	3.12
Key	3/16 x 3/16 x 1-1/4	3/16 x 3/16 x 1-1/4	3/16 x 3/16 x 1-5/8	3/16 x 3/16 x 1-5/8	3/8 x 3/8 x 2-1/2	3/8 x 3/8 x 2-1/2

Dimensions subject to change without notice



Flange Mounted Reducer Two-stage - Solid Input Shaft



Type	Mounting dimensions (Flange)			Outline dimensions							
	AJ	BB	BF	AD	AH1	C	CC	FN	O2	O3	QA
	AK	BD	GA	AD1							SA
SK 02 F - W	5.12	0.14	0.35	5.12	1.50	11.82	4.73	1.78	6.14	—	7.09
	4.331	6.30	0.39	5.12							3.50
SK 12 F - W	5.12	0.14	0.35	5.12	2.13	12.96	4.73	1.78	6.85	—	8.23
	4.331	6.30	0.39	5.32							4.17
SK 22 F - W	6.50	0.14	0.43	7.87	2.75	16.60	6.80	2.31	8.86	—	9.80
	5.118	7.87	0.47	7.28							4.92
SK 32 F - W	8.46	0.16	0.55	7.87	3.25	18.67	6.80	2.31	10.16	11.50	11.87
	7.087	9.84	0.63	8.27							6.10
SK 42 F - W	8.46	0.16	0.55	9.84	3.50	22.14	8.36	3.43	11.81	12.87	13.78
	7.087	9.84	0.63	8.47							6.89
SK 52 F - W	10.43	0.16	0.55	9.84	4.00	24.17	8.36	3.43	13.27	15.16	15.81
	9.055	11.81	0.79	10.24							8.35

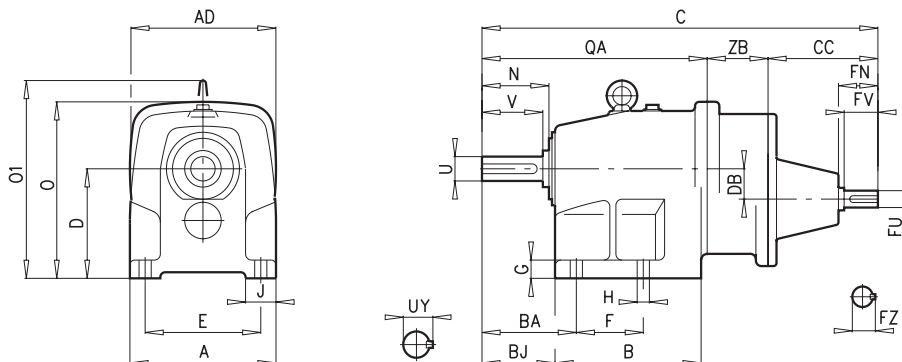
Shaft dimensions: Output shaft						
	SK 02 F	SK 12 F	SK 22 F	SK 32 F	SK 42 F	SK 52 F
U	0.750	1.000	1.250	1.625	1.875	2.250
UY	0.83	1.11	1.36	1.79	2.09	2.47
V	1.50	2.13	2.75	3.25	3.50	4.00
Key	3/16 x 3/16 x 1-1/4	1/4 x 1/4 x 1-5/8	1/4 x 1/4 x 2-1/4	3/8 x 3/8 x 2-3/4	1/2 x 1/2 x 2-3/4	1/2 x 1/2 x 3-1/4
Shaft dimensions: Input shaft						
FU	0.625	0.625	0.875	0.875	1.500	1.500
FZ	0.70	0.70	0.96	0.96	1.66	1.66
FV	1.50	1.50	2.00	2.00	3.12	3.12
Key	3/16 x 3/16 x 1-1/4	3/16 x 3/16 x 1-1/4	3/16 x 3/16 x 1-5/8	3/16 x 3/16 x 1-5/8	3/8 x 3/8 x 2-1/2	3/8 x 3/8 x 2-1/2

Additional flange sizes available	SK 02 F	SK 12 F	SK 22 F	SK 32 F	SK 42 F	SK 52 F
AJ	3.94 / 4.53	3.94 / 4.53	5.12	6.50	6.50	8.46
AK	3.150 / 3.740	3.150 / 3.740	4.331	5.118	5.118	7.087
BB	0.12 / 0.12	0.12 / 0.12	0.14	0.14	0.14	0.16
BD	4.72 / 5.51	4.72 / 5.51	6.30	7.87	7.87	9.84
BF	0.28 / 0.35	0.28 / 0.35	0.35	0.43	0.43	0.55
GA	0.39 / 0.39	0.39 / 0.39	0.39	0.47	0.55	0.63

Dimensions subject to change without notice



Foot Mounted Reducer Three-stage - Solid Input Shaft



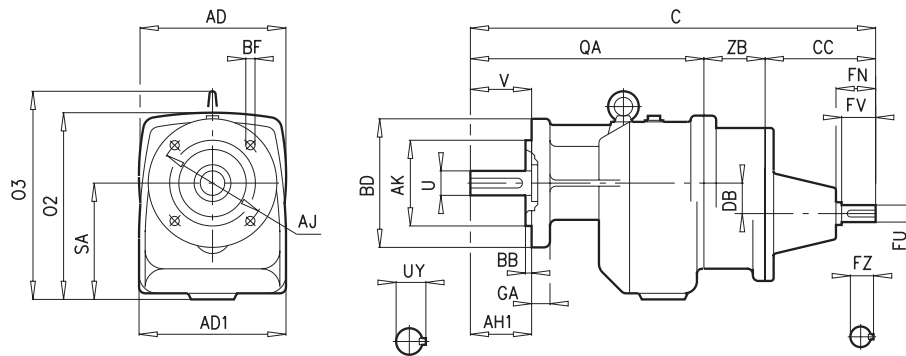
Type	Mounting dimensions (foot)				Outline dimensions									
	A	E	G	J	AD	BA	C	CC	D	FN	N	O	O1	ZB
	B	F	H			BJ			DB				QA	
SK 03 - W	5.12	4.33	0.47	0.98	5.12	1.97	13.73	4.73	3.39	1.41	1.62	6.02	—	2.28
	5.28	2.36	0.35			1.58			1.18				7.09	
SK 13 - W	5.31	4.13	0.59	1.18	5.12	3.23	15.24	4.73	4.02	1.78	2.28	6.69	—	2.28
	5.47	2.44	0.35			2.52			1.18				8.23	
SK 23 - W	7.28	6.30	0.71	1.38	7.87	3.30	16.89	4.73	4.92	1.78	2.95	8.86	—	2.36
	6.89	3.15	0.43			2.71			1.67				9.80	
SK 33 N - W	8.27	7.28	0.79	1.57	7.87	3.88	18.96	4.73	6.10	1.78	3.49	10.16	11.50	2.36
	8.43	4.72	0.51			3.21			1.97				11.87	
SK 43 - W	8.46	6.89	0.98	1.57	9.84	5.08	23.30	6.80	6.89	2.31	3.74	11.81	12.87	2.72
	9.41	4.72	0.51			4.13			2.40				13.78	
SK 53 - W	10.24	8.66	1.38	1.77	9.84	5.18	25.33	6.80	8.35	2.31	4.24	13.27	15.16	2.72
	11.14	5.91	0.71			4.39			2.99				15.81	

Shaft dimensions: Output shaft						
	SK 03	SK 13	SK 23	SK 33 N	SK 43	SK 53
U	0.750	1.000	1.250	1.625	1.875	2.250
UY	0.83	1.11	1.36	1.79	2.09	2.47
V	1.50	2.13	2.75	3.25	3.50	4.00
Key	3/16 x 3/16 x 1-1/4	1/4 x 1/4 x 1-5/8	1/4 x 1/4 x 2-1/4	3/8 x 3/8 x 2-3/4	1/2 x 1/2 x 2-3/4	1/2 x 1/2 x 3-1/4
Shaft dimensions: Input shaft						
FU	0.625	0.625	0.625	0.625	0.875	0.875
FZ	0.70	0.70	0.70	0.70	0.96	0.96
FV	1.50	1.50	1.50	1.50	2.00	2.00
Key	3/16 x 3/16 x 1-1/4	3/16 x 3/16 x 1-1/4	3/16 x 3/16 x 1-1/4	3/16 x 3/16 x 1-1/4	3/16x 3/16x 1-5/8	3/16 x 3/16 x 1-5/8

Dimensions subject to change without notice



Flange Mounted Reducer Three-stage - Solid Input Shaft



Type	Mounting dimensions (flange)			Outline dimensions									
	AJ	BB	BF	AD	AH1	C	CC	DB	FN	O2	O3	QA	ZB
	AK	BD	GA	AD1								SA	
SK 03 F - W	5.12 4.331	0.14 6.30	0.35 0.39	5.12 5.12	1.50	14.10	4.73	1.18	1.78	6.14	—	7.09 3.50	2.28
SK 13 F - W	5.12 4.331	0.14 6.30	0.35 0.39	5.12 5.32	2.13	15.24	4.73	1.18	1.78	6.85	—	8.23 4.17	2.28
SK 23 F - W	6.50 5.118	0.14 7.87	0.43 0.47	7.87 7.28	2.75	16.89	4.73	1.67	1.78	8.86	—	9.80 4.92	2.36
SK 33 NF - W	8.46 7.087	0.16 9.84	0.55 0.63	7.87 8.27	3.25	18.96	4.73	1.97	1.78	10.16	11.50	11.87 6.10	2.36
SK 43 F - W	8.46 7.087	0.16 9.84	0.55 0.63	9.84 8.47	3.50	23.30	6.80	2.40	2.31	11.81	12.87	13.78 6.89	2.72
SK 53 F - W	10.43 9.055	0.16 11.81	0.55 0.79	9.84 10.24	4.00	25.33	6.80	2.99	2.31	13.27	15.16	15.81 8.35	2.72

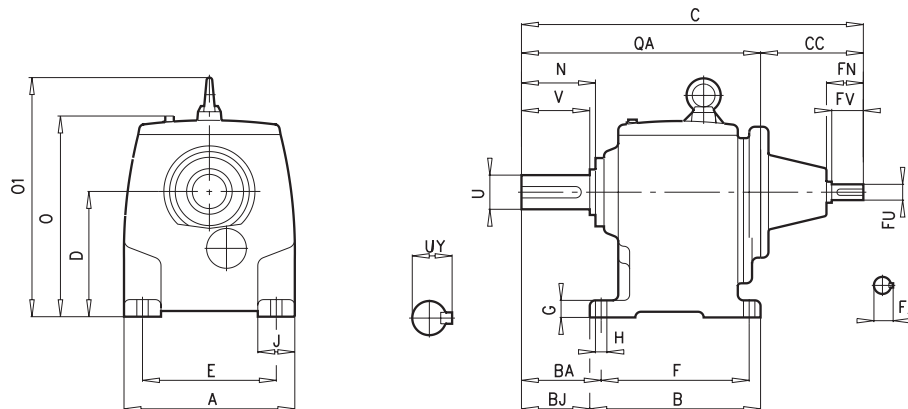
Shaft dimensions: Output shaft						
	SK 03	SK 13	SK 23	SK 33 N	SK 43	SK 53
U	0.750	1.000	1.250	1.625	1.875	2.250
UY	0.83	1.11	1.36	1.79	2.09	2.47
V	1.50	2.13	2.75	3.25	3.50	4.00
Key	3/16 x 3/16 x 1-1/4	1/4 x 1/4 x 1-5/8	1/4 x 1/4 x 2-1/4	3/8 x 3/8 x 2-3/4	1/2 x 1/2 x 2-3/4	1/2 x 1/2 x 3-1/4
Shaft dimensions: Input shaft						
FU	0.625	0.625	0.625	0.625	0.875	0.875
FZ	0.70	0.70	0.70	0.70	0.96	0.96
FV	1.50	1.50	1.50	1.50	2.00	2.00
Key	3/16 x 3/16 x 1-1/4	3/16 x 3/16 x 1-1/4	3/16 x 3/16 x 1-1/4	3/16 x 3/16 x 1-1/4	3/16x 3/16x 1-5/8	3/16 x 3/16 x 1-5/8

Additional flange sizes available	SK 03 F	SK 13 F	SK 23 F	SK 33 NF	SK 43 F	SK 53 F
AJ	3.94 / 4.53	3.94 / 4.53	5.12	6.50	6.50	8.46
AK	3.150 / 3.740	3.150 / 3.740	4.331	5.118	5.118	7.087
BB	0.12 / 0.12	0.12 / 0.12	0.14	0.14	0.14	0.16
BD	4.72 / 5.51	4.72 / 5.51	6.30	7.87	7.87	9.84
BF	0.28 / 0.35	0.28 / 0.35	0.35	0.43	0.43	0.55
GA	0.39 / 0.39	0.39 / 0.39	0.39	0.47	0.55	0.63

Dimensions subject to change without notice



Foot Mounted Reducer Two & Three-stage - Solid Input Shaft



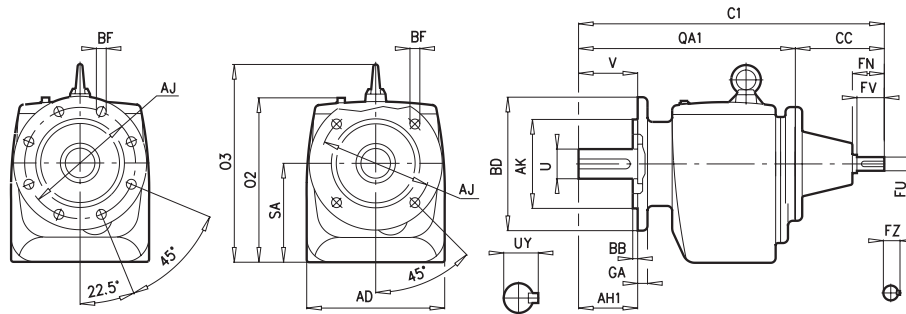
Type	Mounting dimensions (foot)				Outline dimensions									
	A	E	G	J	BA	C	CC	D	FN	N	O	O1	QA	
SK 63 - W	12.99	10.24	1.77	2.76	6.34	26.39	8.36	9.84	3.43	5.24	15.75	18.90	18.04	
	13.58	11.61	0.87		5.43									
SK 62 - W	12.99	10.24	1.77	2.76	6.34	30.44	11.38	9.84	4.69	5.24	15.75	18.90	19.06	
	13.58	11.61	0.87		5.43									
SK 73 - W	15.75	12.79	2.17	2.76	7.04	32.28	11.38	11.02	4.69	5.74	17.60	21.65	20.90	
	15.16	12.99	1.02		5.94									
SK 72 - W	15.75	12.79	2.17	2.76	7.04	32.00	11.38	11.02	4.69	5.74	17.60	21.65	20.62	
	15.16	12.99	1.02		5.94									
SK 83 - W	17.72	14.17	2.17	3.54	8.52	35.50	11.38	12.40	4.69	6.99	20.16	25.16	24.12	
	18.58	15.75	1.30		7.07									
SK 82 - W	17.72	14.17	2.17	3.54	8.52	40.32	15.62	12.40	5.97	6.99	20.16	25.16	24.47	
	18.58	15.75	1.30		7.07									
SK 93 - W	21.65	17.32	2.76	4.33	10.67	39.25	11.38	15.35	4.69	8.81	24.33	30.83	27.87	
	21.26	17.72	1.30		8.89									
SK 92 - W	21.65	17.32	2.76	4.33	10.67	44.03	15.62	15.35	5.97	8.81	24.33	30.83	28.42	
	21.26	17.72	1.30		8.89									
SK 103 - W	23.62	18.90	3.15	4.72	12.76	47.86	15.62	17.72	5.97	10.39	27.80	34.92	32.24	
	24.61	19.88	1.77		10.39									
SK 102 - W	23.62	18.90	3.15	4.72	12.76	47.50	15.62	17.72	6.04	10.39	27.80	34.92	31.89	
	24.61	19.88	1.77		10.39									

Shaft dimensions: Output shaft					
	SK 63 / SK 62	SK 73 / SK 72	SK 83 / SK 82	SK 93 / SK 92	SK 103 / SK 102
U	2.500	3.000	3.500	4.250	5.250
UY	2.77	3.33	3.88	4.69	5.80
V	5.00	5.50	6.75	8.50	10.00
Key	5/8 x 5/8 x 4	3/4 x 3/4 x 4-1/2	7/8 x 7/8 x 5-1/2	1 x 1 x 7-1/4	1-1/4 x 1-1/4 x 8-3/8
Shaft dimensions: Input shaft					
FU	1.500 / 1.625	1.625	1.625 / 2.500	1.625 / 2.500	2.500
FZ	1.66 / 1.79	1.79	1.79 / 2.77	1.79 / 2.77	2.77
FV	3.12 / 4.38	4.38	4.38 / 5.50	4.38 / 5.50	5.50
Key	3/8 x 3/8 x 2-1/2 / 3/8 x 3/8 x 3-5/8	3/8 x 3/8 x 3-5/8	3/8 x 3/8 x 3-5/8 / 5/8 x 5/8 x 4-5/8	3/8 x 3/8 x 3-5/8 / 5/8 x 5/8 x 4-5/8	5/8 x 5/8 x 4-5/8

Dimensions subject to change without notice



Flange Mounted Reducer Two & Three-stage - Solid Input Shaft



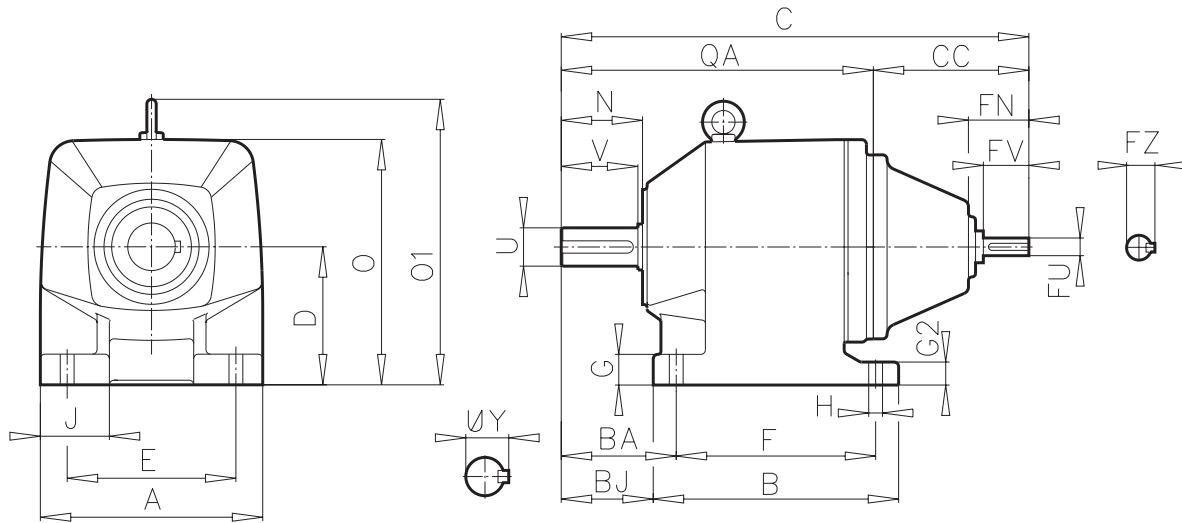
Type	Mounting dimensions (flange)			Outline dimensions							
	AJ	BB	BF	AD	C1	CC	FN	O2	O3	QA1	SA
	AK	BD	GA	AH1							
SK 63 F - W	10.43 9.055	0.16 11.81	0.55 0.95	12.99 5.00	28.12	8.36	3.43	15.55	18.70	19.76	9.65
SK 62 F - W	10.43 9.055	0.16 11.81	0.55 0.95	12.99 5.00	32.17	11.38	4.69	15.95	18.70	20.79	9.65
SK 73 F - W	11.81 9.843	0.20 13.78	0.71 0.95	15.75 5.50	34.83	11.38	4.69	17.40	21.46	23.45	10.83
SK 72 F - W	11.81 9.843	0.20 13.78	0.71 0.95	15.75 5.50	34.56	11.38	4.69	17.40	21.46	23.18	10.83
SK 83 F - W	15.75 13.780	0.20 17.72	0.71 1.02	17.72 6.75	38.48	11.38	4.69	19.92	24.92	27.10	12.17
SK 82 F - W	15.75 13.780	0.20 17.72	0.71 1.02	17.72 6.75	43.31	15.62	5.97	19.92	24.92	27.70	12.17
SK 93 F - W	15.75 13.780	0.20 17.72	0.71 1.10	21.65 8.50	42.05	11.38	4.69	24.09	30.59	30.67	15.12
SK 92 F - W	15.75 13.780	0.20 17.72	0.71 1.10	21.65 8.50	46.83	15.62	5.97	24.09	30.59	31.22	15.12
SK 103 F - W	19.68 17.717	0.20 21.65	0.71 1.26	23.62 10.00	51.21	15.62	5.97	27.48	34.61	35.59	17.40
SK 102 F - W	19.68 17.717	0.20 21.65	0.71 1.26	23.62 10.00	50.85	15.62	6.04	27.48	34.61	35.24	17.40

Shaft dimensions: Output shaft					
	SK 63 F / SK 62 F	SK 73 F / SK 72 F	SK 83 F / SK 82 F	SK 93 F / SK 92 F	SK 103 F / SK 102 F
U	2.500	3.000	3.500	4.250	5.250
UY	2.77	3.33	3.88	4.69	5.80
V	5.00	5.50	6.75	8.50	10.00
Key	5/8 x 5/8 x 4	3/4 x 3/4 x 4-1/2	7/8 x 7/8 x 5-1/2	1 x 1 x 7-1/4	1-1/4 x 1-1/4 x 8-3/8
Shaft dimensions: Input shaft					
FU	1.500 / 1.625	1.625	1.625 / 2.500	1.625 / 2.500	2.500
FZ	1.66 / 1.79	1.79	1.79 / 2.77	1.79 / 2.77	2.77
FV	3.12 / 4.38	4.38	4.38 / 5.50	4.38 / 5.50	5.50
Key	3/8 x 3/8 x 2-1/2 / 3/8 x 3/8 x 3-5/8	3/8 x 3/8 x 3-5/8	3/8 x 3/8 x 3-5/8 / 5/8 x 5/8 x 4-5/8	3/8 x 3/8 x 3-5/8 / 5/8 x 5/8 x 4-5/8	5/8 x 5/8 x 4-5/8

Dimensions subject to change without notice



NORDBLOC® - Foot Mounted Reducer Two & Three-stage - Solid Input Shaft

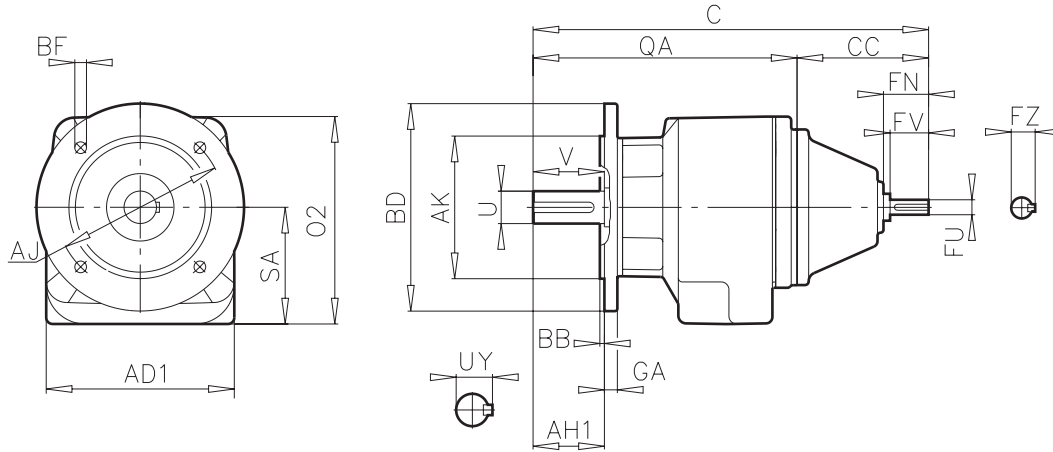


Type	Mounting dimensions (foot)				Outline dimensions								Shaft dimensions					
	A B	E F	G G2	H J	BA	BJ	C CC	D	FN	N	O O1	QA	U	UY Key	V	FU	FV Key	FZ
SK 172 - W	5.31 5.45	4.33 4.33	0.47 0.39	0.35 0.98	2.28	1.79	11.14 4.29	2.95	1.73	1.65	5.51 --	6.85	0.750 3/16 * 3/16 * 1	0.83	1.57	0.500 1/8 * 1/8 * 7/8	1.13	0.56
SK 272 - W	5.71 6.30	4.33 5.12	0.79 0.59	0.35 1.77	2.95	2.36	12.48 4.29	3.54	1.73	2.09	6.30 --	8.19	1.000 1/4 * 1/4 * 1-1/4	1.11	1.97	0.625 3/16 * 3/16 * 1	1.57	0.70
SK 273 - W	5.71 5.98	4.33 5.12	0.71 0.59	0.35 1.77	2.95	2.52	12.48 4.29	3.54	1.73	2.09	6.10 --	8.19	1.000 1/4 * 1/4 * 1-1/4	1.11	1.97	0.625 3/16 * 3/16 * 1	1.57	0.70
SK 372 - W	5.71 6.30	4.33 5.12	0.79 0.59	0.35 1.77	2.95	2.36	12.48 4.29	3.54	1.73	2.09	6.30 --	8.19	1.000 1/4 * 1/4 * 1-1/4	1.11	1.97	0.625 3/16 * 3/16 * 1	1.57	0.70
SK 373 - W	5.83 6.30	4.33 5.12	0.79 0.59	0.35 1.77	2.95	2.36	12.48 4.29	3.54	1.73	2.09	6.30 --	8.19	1.000 1/4 * 1/4 * 1-1/4	1.11	1.97	0.625 3/16 * 3/16 * 1	1.57	0.70
SK 472 - W	7.48 7.87	5.31 6.50	0.98 0.79	0.53 2.36	3.54	2.85	14.52 4.29	4.53	1.69	2.52	8.27 --	10.23	1.250 1/4 * 1/4 * 1-5/8	1.36	2.36	0.750 3/16 * 3/16 * 1-1/16	1.57	0.83
SK 473 - W	7.48 7.87	5.31 6.50	0.98 0.79	0.53 2.36	3.54	2.85	14.52 4.29	4.53	1.69	2.52	7.87 --	10.23	1.250 1/4 * 1/4 * 1-5/8	1.36	2.36	0.750 3/16 * 3/16 * 1-1/16	1.57	0.83
SK 572 - W	7.48 7.87	5.31 6.50	0.98 0.79	0.53 2.36	3.94	3.25	14.92 4.29	4.53	1.69	2.91	8.27 --	10.63	1.375 5/16 * 5/16 * 2-1/8	1.52	2.75	0.750 3/16 * 3/16 * 1-1/16	1.57	0.83
SK 573 - W	7.48 7.87	5.31 6.50	0.98 0.79	0.53 2.36	3.94	3.25	14.92 4.29	4.53	1.69	2.91	8.27 --	10.63	1.375 5/16 * 5/16 * 2-1/8	1.52	2.75	0.750 3/16 * 3/16 * 1-1/16	1.57	0.83
SK 672 - W	8.27 9.25	5.91 7.68	1.18 0.98	0.53 2.36	3.94	3.15	15.75 4.33	5.12	1.69	2.91	9.13 10.43	11.42	1.375 5/16 * 5/16 * 2-1/8	1.52	2.75	0.750 3/16 * 3/16 * 1-1/16	1.57	0.83
SK 673 - W	8.27 9.25	5.91 7.68	1.18 0.98	0.53 2.36	3.94	3.15	15.75 4.33	5.12	1.69	2.91	9.13 10.43	11.42	1.375 5/16 * 5/16 * 2-1/8	1.52	2.75	0.750 3/16 * 3/16 * 1-1/16	1.57	0.83
SK 772 - W	9.06 9.65	6.69 8.07	1.18 0.98	0.69 2.76	4.53	3.74	17.32 4.80	5.51	2.09	3.31	9.92 11.30	12.52	1.625 3/8 * 3/8 * 2-1/4	1.79	3.15	0.875 3/16 * 3/16 * 1-1/4	1.97	0.96
SK 773 - W	9.06 9.65	6.69 8.07	1.18 0.98	0.69 2.76	4.53	3.74	17.32 4.80	5.51	2.09	3.31	9.92 11.30	12.52	1.625 3/8 * 3/8 * 2-1/4	1.79	3.15	0.875 3/16 * 3/16 * 1-1/4	1.97	0.96
SK 872 - W	11.42 12.20	8.46 10.24	1.77 1.57	0.69 3.54	5.51	4.53	21.74 6.46	7.09	2.52	4.13	12.76 14.41	15.28	2.125 1/2 * 1/2 * 2-5/8	2.35	3.94	1.125 1/4 * 1/4 * 1-5/8	2.36	1.24
SK 873 - W	11.42 12.20	8.46 10.24	1.77 1.57	0.69 3.54	5.51	4.53	21.74 6.46	7.09	2.52	4.13	12.76 14.41	15.28	2.125 1/2 * 1/2 * 2-5/8	2.35	3.94	1.125 1/4 * 1/4 * 1-5/5	2.36	1.24
SK 972 - W	13.39 14.37	9.84 12.20	2.17 1.97	0.87 3.94	6.30	5.22	25.99 8.90	8.86	3.35	4.96	15.67 17.68	17.09	2.375 5/8 * 5/8 * 3-1/4	2.65	4.72	1.375 5/16 * 5/16 * 2-1/2	3.15	1.52
SK 973 - W	13.39 14.37	9.84 12.20	2.17 1.97	0.87 3.94	6.30	5.22	25.99 8.90	8.86	3.35	4.96	15.67 17.68	17.09	2.375 5/8 * 5/8 * 3-1/4	2.65	4.72	1.375 5/16 * 5/16 * 2-1/2	3.15	1.52

Dimensions subject to change without notice



NORDBLOC® - Flange Mounted Reducer Two & Three-stage - Solid Input Shaft

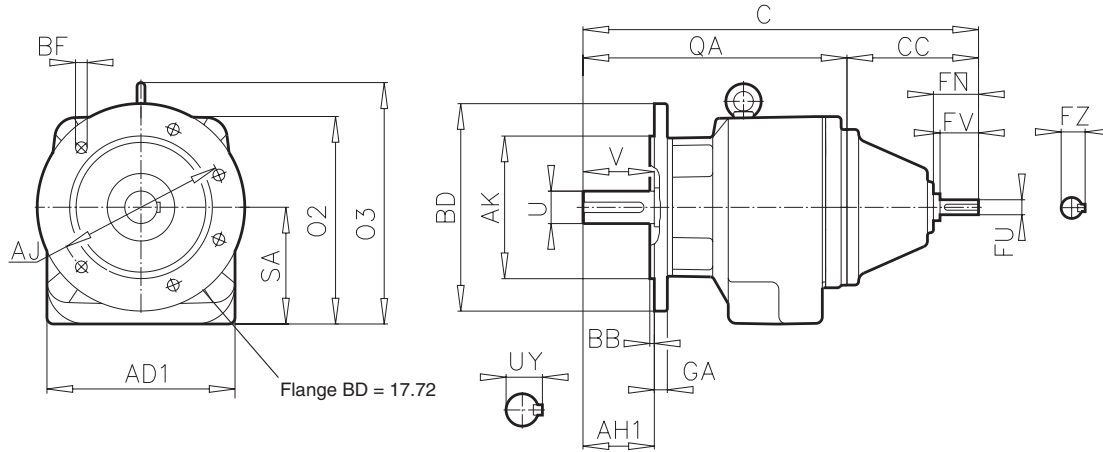


Type	Mounting dimensions (bolt-on B5 flange)						Outline dimensions								Shaft dimensions					
	AJ	AK	BB	BD	BF	GA	AD1	AH1	C	CC	FN	O2	QA	SA	Output shaft			Input shaft		
															U	UY	V	FU	FV	FZ
SK 172 F - W	3.94	3.150	0.12	4.72	0.26	0.39	5.31	1.57	11.14	4.29	1.73	5.59	6.85	3.03	0.750	0.83	1.57	0.500	1.13	0.56
	4.53	3.740	0.12	5.51	0.35	0.39									Key	Key				
	5.12	4.331	0.14	6.30	0.35	0.39									3/16 * 3/16 * 1	1/8 * 1/8 * 7/8				
	6.5	5.118	0.14	7.87	0.43	0.47														
SK 272 F - W	3.94	3.150	0.12	4.72	0.26	0.39	5.71	1.97	12.48	4.29	1.73	6.38	8.19	3.62	1.000	1.11	1.97	0.625	1.57	0.70
	4.53	3.740	0.12	5.51	0.35	0.39									Key	Key				
	5.12	4.331	0.14	6.30	0.35	0.39									1/4 * 1/4 * 1-1/4	3/16 * 3/16 * 1				
	6.50	5.118	0.14	7.87	0.43	0.47														
SK 273 F - W	3.94	3.150	0.12	4.72	0.26	0.39	5.83	1.97	13.27	4.29	1.73	6.18	8.98	3.62	1.000	1.11	1.97	0.625	1.57	0.70
	4.53	3.740	0.12	5.51	0.35	0.39									Key	Key				
	5.12	4.331	0.14	6.30	0.35	0.39									1/4 * 1/4 * 1-1/4	3/16 * 3/16 * 1				
	6.50	5.118	0.14	7.87	0.43	0.47														
SK 372 F - W	3.94	3.150	0.12	4.72	0.26	0.39	5.71	1.97	12.48	4.29	1.73	6.38	8.19	3.62	1.000	1.11	1.97	0.625	1.57	0.70
	4.53	3.740	0.12	5.51	0.35	0.39									Key	Key				
	5.12	4.331	0.14	6.30	0.35	0.39									1/4 * 1/4 * 1-1/4	3/16 * 3/16 * 1				
	6.50	5.118	0.14	7.87	0.43	0.47														
SK 373 F - W	3.94	3.150	0.12	4.72	0.26	0.39	5.83	1.97	13.27	4.29	1.73	6.38	8.98	3.62	1.000	1.11	1.97	0.625	1.57	0.70
	4.53	3.740	0.12	5.51	0.35	0.39									Key	Key				
	5.12	4.331	0.14	6.30	0.35	0.39									1/4 * 1/4 * 1-1/4	3/16 * 3/16 * 1				
	6.50	5.118	0.14	7.87	0.43	0.47														
SK 472 F - W	5.12	4.331	0.14	6.30	0.35	0.39	7.48	2.36	14.53	4.29	1.69	8.35	10.24	4.61	1.250	1.36	2.36	0.750	1.57	0.83
	6.50	5.118	0.14	7.87	0.43	0.47									Key	Key				
	8.46	7.087	0.16	9.84	0.53	0.63									1/4 * 1/4 * 1-5/8	3/16 * 3/16 * 1-1/16				
	10.43	9.055	0.16	11.81	0.53	0.79														
SK 473 F - W	5.12	4.331	0.14	6.30	0.35	0.39	7.48	2.36	15.16	4.29	1.69	8.35	10.87	4.61	1.250	1.36	2.36	0.750	1.57	0.83
	6.50	5.118	0.14	7.87	0.43	0.47									Key	Key				
	8.46	7.087	0.16	9.84	0.53	0.63									1/4 * 1/4 * 1-5/8	3/16 * 3/16 * 1-1/16				
	10.43	9.055	0.16	11.81	0.53	0.79														

Dimensions subject to change without notice



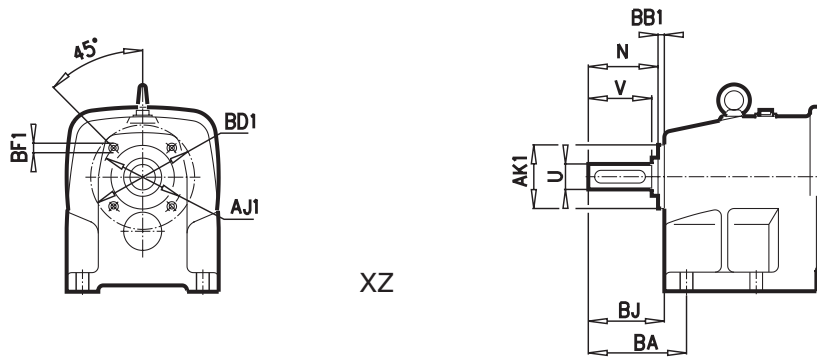
NORDBLOC® - Flange Mounted Reducer Two & Three-stage - Solid Input Shaft



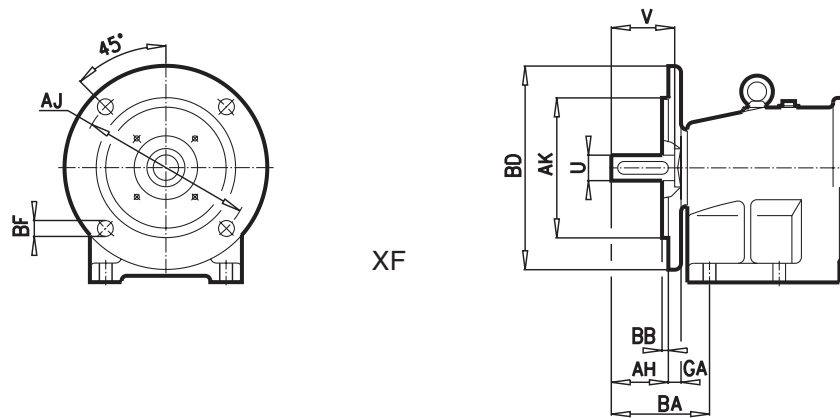
Type	Mounting dimensions (bolt-on B5 flange)						Outline dimensions						Shaft dimensions							
	AJ	AK	BB	BD	BF	GA	AD1	AH1	C	CC	FN	O2	QA	SA	Output shaft			Input shaft		
	Standard shown in bold. Must specify BD dimension.											O3			U	UY	V	FU	FV	FZ
SK 572 F - W	5.12	4.331	0.14	6.30	0.35	0.39						8.35			1.375	1.52	2.75	0.750	1.57	0.83
	6.50	5.118	0.14	7.87	0.43	0.47	7.48	2.76	14.92	4.29	1.69		10.63	4.61						
	8.46	7.087	0.16	9.84	0.53	0.63						--								
	10.43	9.055	0.16	11.81	0.53	0.79									5/16 * 5/16 * 2-1/8			3/16 * 3/16 * 1-1/16		
SK 573 F - W	5.12	4.331	0.14	6.30	0.35	0.39						8.35			1.250	1.36	2.36	0.75	1.57	0.83
	6.50	5.118	0.14	7.87	0.43	0.47	7.48	2.76	15.55	4.29	1.69		11.26	4.61						
	8.46	7.087	0.16	9.84	0.53	0.63						--								
	10.43	9.055	0.16	11.81	0.53	0.79									1/4 * 1/4 * 1-11/16			3/16 * 3/16 * 1-1/16		
SK 672 F - W	6.50	5.118	0.14	7.87	0.43	0.47						9.13			1.375	1.52	2.75	0.750	1.57	0.83
	8.46	7.087	0.16	9.84	0.53	0.63	8.27	2.76	15.75	4.33	1.69		11.42	5.28						
	10.43	9.055	0.16	11.81	0.53	0.79						10.43			5/16 * 5/16 * 2-1/8			3/16 * 3/16 * 1-1/16		
	6.50	5.118	0.14	7.87	0.43	0.47						9.13			1.375	1.52	2.75	0.750	1.57	0.83
SK 673 F - W	8.46	7.087	0.16	9.84	0.53	0.63	8.27	2.76	16.69	4.33	1.69		12.36	5.28						
	10.43	9.055	0.16	11.81	0.53	0.79						10.43			5/16 * 5/16 * 2-1/8			3/16 * 3/16 * 1-1/16		
	6.50	5.118	0.14	7.87	0.43	0.47						9.13			1.375	1.52	2.75	0.750	1.57	0.83
	8.46	7.087	0.16	9.84	0.53	0.63	8.27	2.76	16.69	4.33	1.69		12.36	5.28						
SK 772 F - W	6.50	5.118	0.14	7.87	0.43	0.47						9.92			1.625	1.79	3.15	0.875	1.97	0.96
	8.46	7.087	0.16	9.84	0.53	0.63	9.06	3.15	17.32	4.80	2.09		12.52	5.51						
	10.43	9.055	0.16	11.81	0.53	0.79						11.30			3/8 * 3/8 * 2-1/4			3/16 * 3/16 * 1-1/4		
	6.50	5.118	0.14	7.87	0.43	0.47						9.92			1.625	1.79	3.15	0.875	1.97	0.96
SK 773 F - W	8.46	7.087	0.16	9.84	0.53	0.63	9.06	3.15	17.48	4.80	2.09		12.68	5.51						
	10.43	9.055	0.16	11.81	0.53	0.79						11.30			3/8 * 3/8 * 2-1/4			3/16 * 3/16 * 1-1/4		
	6.50	5.118	0.14	7.87	0.43	0.47						9.92			1.625	1.79	3.15	0.875	1.97	0.96
	8.46	7.087	0.16	9.84	0.53	0.63	9.06	3.15	17.48	4.80	2.09		12.68	5.51						
SK 872 F - W	8.46	7.087	0.16	9.84	0.53	0.63						12.76			2.125	2.35	3.94	1.125	2.36	1.24
	10.43	9.055	0.16	11.81	0.53	0.79	11.42	3.94	21.74	6.46	2.52		15.28	7.09						
	11.81	9.843	0.20	13.78	0.69	0.79						14.41			1/2 * 1/2 * 2-5/8			1/4 * 1/4 * 1-5/8		
	8.46	7.087	0.16	9.84	0.53	0.63						12.76			2.125	2.35	3.94	1.125	2.36	1.24
SK 873 F - W	10.43	9.055	0.16	11.81	0.53	0.79	11.42	3.94	22.09	6.46	2.52		15.63	7.09						
	11.81	9.843	0.20	13.78	0.69	0.79						14.41			1/2 * 1/2 * 2-5/8			1/4 * 1/4 * 1-5/8		
	10.43	9.055	0.16	11.81	0.53	0.79						15.67			2.375	2.65	4.72	1.375	3.15	1.52
	8.46	7.087	0.16	9.84	0.53	0.63						12.76			2.125	2.35	3.94	1.125	2.36	1.24
SK 972 F - W	10.43	9.055	0.16	11.81	0.53	0.79						15.67			2.375	2.65	4.72	1.375	3.15	1.52
	11.81	9.843	0.20	13.78	0.69	0.79	13.39	4.72	25.99	8.90	3.35		17.09	8.86						
	15.75	13.780	0.20	17.72	0.69	0.87						17.68			5/8 * 5/8 * 3-1/4			5/16 * 5/16 * 2-1/2		
	10.43	9.055	0.16	11.81	0.53	0.79						15.67			2.375	2.65	3.94	1.375	3.15	1.52
SK 973 F - W	11.81	9.843	0.20	13.78	0.69	0.79	13.39	4.72	26.58	8.90	3.35		17.64	8.86						
	15.75	13.780	0.20	17.72	0.69	0.87						17.68			5/8 * 5/8 * 3-1/4			5/16 * 5/16 * 2-1/2		

Dimensions subject to change without notice

Foot & Flange Mounted Reducer



XZ



XF

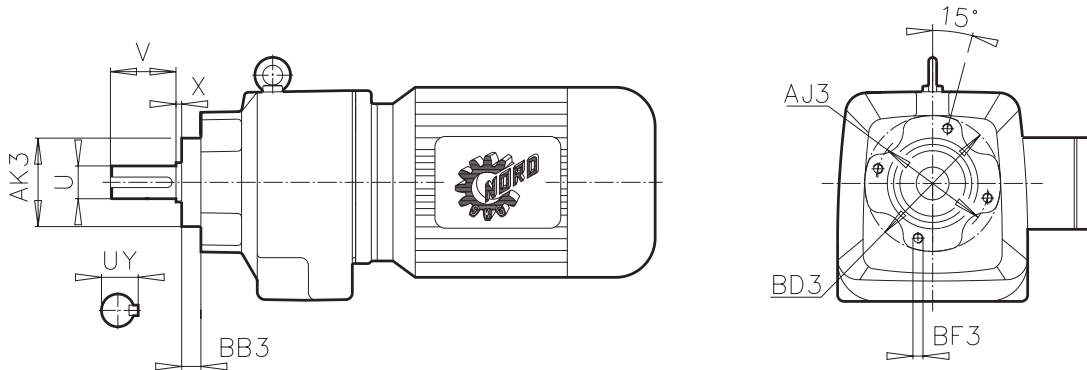
Type	XZ Mounting dimensions B 14							XF Mounting dimensions B 5							Shaft dimensions			
	AJ1	AK1	BA	BB1	BD1	BF1	BJ	AH	AJ	AK	BA	BB	BD	BF	GA	U	V	N
SK 02 ...	2.84	2.165	1.97	0.32	3.54	4 x M 8	1.58	0.99	5.12	4.331	1.97	0.14	6.30	0.35	0.39	0.750	1.50	1.62
SK 12 ...	3.15	2.362	3.22	0.35	3.74	4 x M 8	2.52	1.85	6.50	5.118	3.22	0.14	7.87	0.43	0.47	1.000	2.13	2.28
SK 22 ...	3.94	2.835	3.30	0.39	5.12	4 x M12	2.71	1.89	8.47	7.087	3.30	0.16	9.84	0.55	0.63	1.250	2.75	2.95
SK 32 ...	4.72	3.543	3.88	0.43	5.91	4 x M 16	3.21	2.23	10.43	9.055	3.88	0.16	11.81	0.55	0.79	1.625	3.25	3.49
SK 42 ...	5.32	4.133	5.07	0.55	6.50	4 x M 16	4.13	3.15	10.43	9.055	5.07	0.16	11.81	0.55	0.79	1.875	3.50	3.74
SK 52 ...	6.50	5.276	5.18	0.75	7.87	4 x M 16	4.40	3.41	11.81	9.843	5.18	0.20	13.78	0.71	0.79	2.250	4.00	4.24

Other gearbox sizes on request.

Dimensions subject to change without notice



NORDBLOC® - Face Flange Mounted

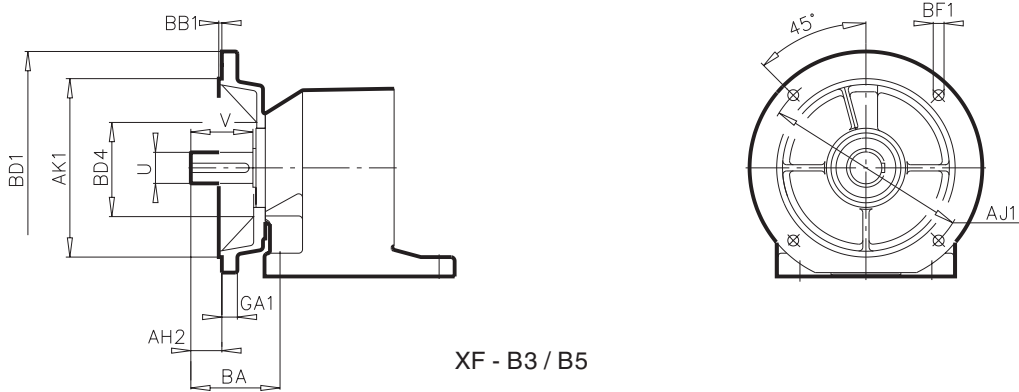
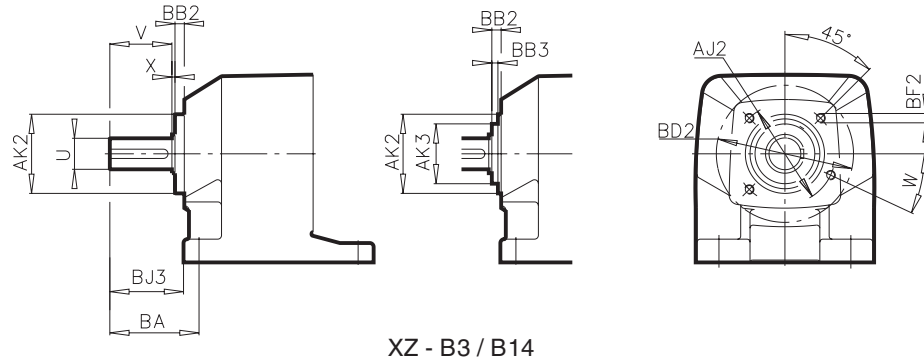


Type	Mounting dimension (flange)					Shaft dimensions				
	AJ3	AK3	BB3	BD3	BF3	U	UY	Key	V	X
SK 172 Z - ...	3.15	2.441	0.20	3.86	M 8 x 0.63	0.750	0.83	3/16 * 3/16 * 1	1.57	0.08
SK 272 Z - ...	3.54	2.835	0.43	4.25	M 8 x 0.63	1.000	1.11	1/4 * 1/4 * 1-1/4	1.97	0.12
SK 273 Z - ...	3.54	2.835	0.43	4.25	M 8 x 0.63	1.000	1.11	1/4 * 1/4 * 1-1/4	1.97	0.12
SK 372 Z - ...	3.54	2.835	0.43	4.25	M 8 x 0.63	1.000	1.11	1/4 * 1/4 * 1-1/4	1.97	0.12
SK 373 Z - ...	3.54	2.835	0.43	4.25	M 8 x 0.63	1.000	1.11	1/4 * 1/4 * 1-1/4	1.97	0.12
SK 472 Z - ...	4.09	3.150	0.55	5.12	M 10 x 0.79	1.250	1.36	1/4 * 1/4 * 1-5/8	2.36	0.16
SK 473 Z - ...	4.09	3.150	0.55	5.12	M 10 x 0.79	1.250	1.36	1/4 * 1/4 * 1-5/8	2.36	0.16
SK 572 Z - ...	4.09	3.150	0.55	5.12	M 10 x 0.79	1.375	1.52	5/16 * 5/16 * 2-1/8	2.75	0.16
SK 573 Z - ...	4.09	3.150	0.55	5.12	M 10 x 0.79	1.375	1.52	5/16 * 5/16 * 2-1/8	2.75	0.16
SK 672 Z - ...	4.53	3.543	0.71	5.51	M 10 x 0.79	1.375	1.52	5/16 * 5/16 * 2-1/8	2.75	0.16
SK 673 Z - ...	4.53	3.386	0.71	5.51	M 10 x 0.79	1.375	1.52	5/16 * 5/16 * 2-1/8	2.75	0.16
SK 772 Z - ...	5.12	4.016	0.75	6.50	M 12 x 0.79	1.625	1.79	3/8 * 3/8 * 2-1/4	3.15	0.16
SK 773 Z - ...	5.12	4.016	0.75	6.50	M 12 x 0.79	1.625	1.79	3/8 * 3/8 * 2-1/4	3.15	0.16
SK 872 Z - ...	6.50	5.118	0.79	8.07	M 12 x 0.79	2.125	2.35	1/2 * 1/2 * 2-5/8	3.94	0.20
SK 873 Z - ...	6.50	5.118	0.79	8.07	M 12 x 0.79	2.125	2.35	1/2 * 1/2 * 2-5/8	3.94	0.20
SK 972 Z - ...	7.87	6.102	0.98	9.84	M 16 x 1.18	2.375	2.65	5/8 * 5/8 * 3-1/4	4.72	0.24
SK 973 Z - ...	7.87	6.102	0.98	9.84	M 16 x 1.18	2.375	2.65	5/8 * 5/8 * 3-1/4	4.72	0.24

Dimensions subject to change without notice



NORDBLOC® - Foot & Flange Mounted Reducer

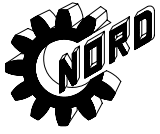


Type	Mounting dimensions B 14										Mounting dimensions B 5					Shaft dimensions				
	AJ2	AK2	AK3	BA	BB2	BB3	BD2	BF2	BJ3	W	AH2	AJ1	AK1	BA	BB1	BD1	BF1	U	V	X
SK 172 ...	3.15	2.441	--	2.28	0.32	--	4.13	M 8 x 0.51	1.79	28°	0.79	5.12	4.331	2.28	0.14	6.30	0.35	0.750	1.57	0.06
SK 272 ...	3.54	2.835	--	2.95	0.35	--	4.45	M 8 x 0.63	2.36	25°	0.98	6.50	5.118	2.95	0.14	7.87	0.43	1.000	1.97	0.12
SK 273 ...	3.54	2.835	2.283	2.95	0.35	0.24	4.13	M 8 x 0.47	2.52	25°						2.76	0.47	1/4 * 1/4 * 1-1/4		
SK 372 ...	3.54	2.835	--	2.95	0.35	--	4.45	M 8 x 0.63	2.36	25°	0.98	6.50	5.118	2.95	0.14	7.87	0.43	1.000	1.97	0.12
SK 373 ...	3.54	2.835	2.283	2.95	0.35	0.24	4.13	M 8 x 0.47	2.52	25°						2.76	0.47	1/4 * 1/4 * 1-1/4		
SK 472 ...	4.33	3.150	--	3.54	0.35	--	5.43	M10 x 0.79	2.85	28°	1.18	8.47	7.087	3.54	0.16	9.84	0.53	1.250	2.36	0.16
SK 473 ...	4.33	3.150	--	3.54	0.35	--	5.43	M10 x 0.79	2.85	28°						3.15	0.63	1/4 * 1/4 * 1-5/8		
SK 572 ...	4.33	3.150	--	3.94	0.35	--	5.43	M10 x 0.79	3.25	28°	1.18	8.47	7.087	3.94	0.16	9.84	0.53	1.375	2.75	0.16
SK 573 ...	4.33	3.150	--	3.94	0.35	--	5.43	M10 x 0.79	3.25	28°						3.15	0.63	5/16 * 5/16 * 2-1/8		
SK 672 ...	4.53	3.543	--	3.94	0.43	--	6.30	M10 x 0.79	3.15	28°	1.38	8.47	7.087	3.94	0.16	9.84	0.53	1.375	2.75	0.16
SK 673 ...	4.53	3.386	--	3.94	0.43	--	6.30	M10 x 0.79	3.15	28°						3.54	0.63	5/16 * 5/16 * 2-1/8		
SK 772 ...	5.12	4.016	--	4.53	0.47	--	6.85	M12 x 0.95	3.74	25°	1.58	10.43	9.055	4.53	0.16	11.81	0.53	1.625	3.15	0.16
SK 773 ...	5.12	4.016	--	4.53	0.47	--	6.85	M12 x 0.79	3.74	25°						3.94	0.79	3/8 * 3/8 * 2-1/4		
SK 872 ...	6.50	5.118	--	5.51	0.47	--	8.27	M12 x 0.79	4.53	25°	1.97	11.81	9.843	5.51	0.20	13.78	0.69	2.125	3.94	0.20
SK 873 ...	6.50	5.118	--	5.51	0.47	--	8.27	M12 x 0.79	4.53	25°						5.12	0.79	1/2 * 1/2 * 2-5/8		
SK 972 ...	7.87	6.102	--	6.30	0.59	--	10.24	M16 x 0.98	5.22	25°	2.36	15.75	13.780	6.30	0.20	17.72	0.69	2.375	4.72	0.24
SK 973 ...	7.87	6.102	--	6.30	0.59	--	10.24	M16 x 0.98	5.22	25°						6.30	0.79	5/8 * 5/8 * 3-1/4		

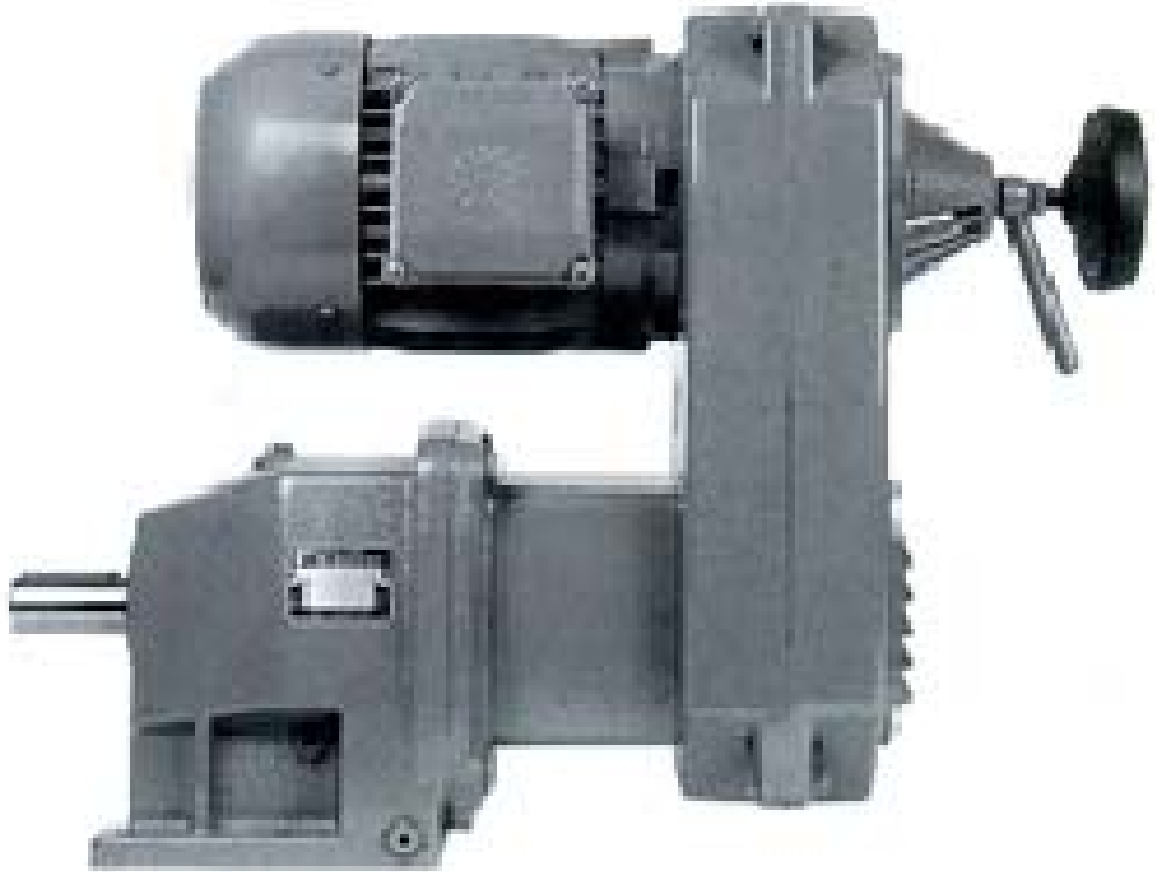
Dimensions subject to change without notice

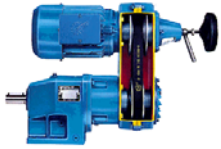
Notes





Titan™ Beltcase Gearmotor Ratings

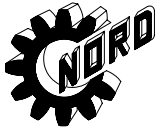




1/3 hp TITAN™ Gearmotors



Output Speed		Output Torque T_2 [lb-in]	Service Factor f_B	Ratio	Model Type
n_{21} [rpm]	n_{22} [rpm]				
1308	- 262	14	29	2.95	SK02 - R100 U - 56C
1141	- 228	17	27	3.38	SK02 - R100 U - 56C
992	- 198	19	25	3.89	SK02 - R100 U - 56C
914	- 183	20	21	4.22	SK02 - R100 U - 56C
800	- 160	23	22	4.82	SK02 - R100 U - 56C
694	- 138	27	19	5.57	SK02 - R100 U - 56C
632	- 126	30	12	6.10	SK02 - R100 U - 56C
560	- 112	33	16	6.89	SK02 - R100 U - 56C
495	- 99	38	15	7.80	SK02 - R100 U - 56C
471	- 94	40	14	8.19	SK02 - R100 U - 56C
416	- 83	45	13	9.28	SK02 - R100 U - 56C
388	- 78	48	12	9.95	SK02 - R100 U - 56C
342	- 68	55	11	11.27	SK02 - R100 U - 56C
301	- 60	62	10	12.82	SK02 - R100 U - 56C
242	- 48	77	8	15.95	SK02 - R100 U - 56C
187	- 37	100	7	20.59	SK02 - R100 U - 56C
167	- 33	112	6	23.13	SK02 - R100 U - 56C
158	- 32	118	7	24.39	SK02 - R100 U - 56C
140	- 28	134	6	27.52	SK02 - R100 U - 56C
130	- 26	143	6	29.61	SK02 - R100 U - 56C
115	- 23	162	5	33.42	SK02 - R100 U - 56C
93	- 19	201	4	41.58	SK02 - R100 U - 56C
72	- 14	260	2.6	53.68	SK02 - R100 U - 56C
63	- 13	297	2.3	61.27	SK02 - R100 U - 56C
53	- 11	354	1.9	73.06	SK02 - R100 U - 56C
53	- 11	419	3.5	72.63	SK12 - R100 U - 56C

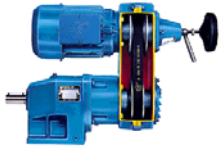


TITAN™ Gearmotors

1/2 hp



Output Speed		Output Torque T_2 [lb-in]	Service Factor f_B	Ratio	Model Type
n_{21} [rpm]	n_{22} [rpm]				
1308	- 262	22	18	2.95	SK02 - R100 U - 56C
1141	- 228	25	18	3.38	SK02 - R100 U - 56C
992	- 198	28	17	3.89	SK02 - R100 U - 56C
914	- 183	31	11	4.22	SK02 - R100 U - 56C
800	- 160	35	14	4.82	SK02 - R100 U - 56C
692	- 138	41	12	5.57	SK02 - R100 U - 56C
632	- 126	45	10	6.10	SK02 - R100 U - 56C
560	- 112	51	11	6.89	SK02 - R100 U - 56C
496	- 99	57	10	7.80	SK02 - R100 U - 56C
471	- 94	60	9	8.19	SK02 - R100 U - 56C
416	- 83	68	8	9.28	SK02 - R100 U - 56C
388	- 78	73	8	9.95	SK02 - R100 U - 56C
342	- 68	83	7	11.27	SK02 - R100 U - 56C
301	- 60	94	7	12.82	SK02 - R100 U - 56C
242	- 48	117	5	15.95	SK02 - R100 U - 56C
187	- 37	151	4	20.59	SK02 - R100 U - 56C
167	- 33	170	4	23.13	SK02 - R100 U - 56C
158	- 32	179	4	24.39	SK02 - R100 U - 56C
140	- 28	203	4	27.52	SK02 - R100 U - 56C
130	- 26	217	3.7	29.61	SK02 - R100 U - 56C
115	- 23	245	3.5	33.42	SK02 - R100 U - 56C
93	- 19	306	2.7	41.58	SK02 - R100 U - 56C
72	- 14	394	1.7	53.68	SK02 - R100 U - 56C
63	- 13	450	1.5	61.27	SK02 - R100 U - 56C
53	- 11	537	1.3	73.06	SK02 - R100 U - 56C
53	- 11	535	2.3	72.63	SK12 - R100 U - 56C



3/4 hp TITAN™ Gearmotors

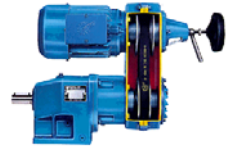


Output Speed		Output Torque T_2 [lb-in]	Service Factor f_B	Ratio	Model Type
n_{21} [rpm]	n_{22} [rpm]				
1308	- 262	33	12	2.95	SK02 - R100 U - 56C
1141	- 228	37	12	3.38	SK02 - R100 U - 56C
992	- 198	43	11	3.89	SK02 - R100 U - 56C
914	- 183	47	9	4.22	SK02 - R100 U - 56C
800	- 160	53	9	4.82	SK02 - R100 U - 56C
692	- 138	61	8	5.57	SK02 - R100 U - 56C
632	- 126	67	5	6.10	SK02 - R100 U - 56C
560	- 112	76	7	6.89	SK02 - R100 U - 56C
496	- 99	86	6	7.80	SK02 - R100 U - 56C
471	- 94	90	6	8.19	SK02 - R100 U - 56C
416	- 83	103	6	9.28	SK02 - R100 U - 56C
388	- 78	110	5	9.95	SK02 - R100 U - 56C
342	- 68	125	5	11.27	SK02 - R100 U - 56C
301	- 60	142	4	12.82	SK02 - R100 U - 56C
242	- 48	176	3.6	15.95	SK02 - R100 U - 56C
187	- 37	227	2.9	20.59	SK02 - R100 U - 56C
167	- 33	255	2.7	23.13	SK02 - R100 U - 56C
158	- 32	269	2.9	24.39	SK02 - R100 U - 56C
140	- 28	304	2.5	27.52	SK02 - R100 U - 56C
130	- 26	326	2.5	29.61	SK02 - R100 U - 56C
115	- 23	369	2.3	33.42	SK02 - R100 U - 56C
93	- 19	458	1.8	41.58	SK02 - R100 U - 56C
72	- 14	592	1.2	53.68	SK02 - R100 U - 56C
72	- 14	594	2.2	53.84	SK12 - R100 U - 56C
63	- 13	677	1.9	61.35	SK12 - R100 U - 56C
53	- 11	801	1.5	72.63	SK12 - R100 U - 56C

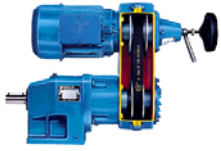


TITAN™ Gearmotors

1 hp



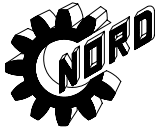
Output Speed		Output Torque T_2 [lb-in]	Service Factor f_B	Ratio	Model Type
n_{21} [rpm]	n_{22} [rpm]				
1308	- 262	43	9	2.95	SK02 - R100 U - 143TC
1141	- 228	50	9	3.38	SK02 - R100 U - 143TC
992	- 198	58	8	3.89	SK02 - R100 U - 143TC
914	- 183	62	7	4.22	SK02 - R100 U - 143TC
800	- 160	71	7	4.82	SK02 - R100 U - 143TC
692	- 138	82	6	5.57	SK02 - R100 U - 143TC
632	- 126	89	4	6.10	SK02 - R100 U - 143TC
560	- 112	102	5	6.89	SK02 - R100 U - 143TC
496	- 99	115	5	7.80	SK02 - R100 U - 143TC
471	- 94	120	5	8.19	SK02 - R100 U - 143TC
416	- 83	136	4	9.28	SK02 - R100 U - 143TC
388	- 78	146	3.9	9.95	SK02 - R100 U - 143TC
342	- 68	165	3.6	11.27	SK02 - R100 U - 143TC
301	- 60	189	3.3	12.82	SK02 - R100 U - 143TC
242	- 48	235	2.7	15.95	SK02 - R100 U - 143TC
187	- 37	303	2.2	20.59	SK02 - R100 U - 143TC
167	- 33	340	2.0	23.13	SK02 - R100 U - 143TC
158	- 32	358	2.2	24.39	SK02 - R100 U - 143TC
140	- 28	404	1.9	27.52	SK02 - R100 U - 143TC
130	- 26	435	1.9	29.61	SK02 - R100 U - 143TC
115	- 23	492	1.7	33.42	SK02 - R100 U - 143TC
93	- 19	612	1.3	41.58	SK02 - R100 U - 143TC
90	- 18	634	2.3	43.09	SK02 - R100 U - 143TC
81	- 16	704	1.9	47.87	SK02 - R100 U - 143TC
72	- 14	792	1.7	53.84	SK02 - R100 U - 143TC
63	- 13	903	1.5	61.35	SK02 - R100 U - 143TC
53	- 11	1071	1.1	72.63	SK12 - R100 U - 143TC



1.5 hp TITAN™ Gearmotors

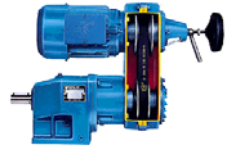


Output Speed		Output Torque T_2 [lb-in]	Service Factor f_B	Ratio	Model Type
n_{21} [rpm]	n_{22} [rpm]				
1308	- 262	66	6	2.95	SK02 - R100 U - 143TC
1141	- 228	74	6	3.38	SK02 - R100 U - 143TC
992	- 198	86	6	3.89	SK02 - R100 U - 143TC
914	- 183	93	5	4.22	SK02 - R100 U - 143TC
800	- 160	106	5	4.82	SK02 - R100 U - 143TC
692	- 138	123	4	5.57	SK02 - R100 U - 143TC
632	- 126	135	3.4	6.10	SK02 - R100 U - 143TC
560	- 112	152	3.6	6.89	SK02 - R100 U - 143TC
496	- 99	172	3.2	7.80	SK02 - R100 U - 143TC
471	- 94	181	3.1	8.19	SK02 - R100 U - 143TC
416	- 83	204	2.8	9.28	SK02 - R100 U - 143TC
388	- 78	219	2.6	9.95	SK02 - R100 U - 143TC
342	- 68	249	2.4	11.27	SK02 - R100 U - 143TC
301	- 60	283	2.2	12.82	SK02 - R100 U - 143TC
242	- 48	352	1.8	15.95	SK02 - R100 U - 143TC
187	- 37	454	1.4	20.59	SK02 - R100 U - 143TC
167	- 33	511	1.4	23.13	SK02 - R100 U - 143TC
158	- 32	538	1.5	24.39	SK02 - R100 U - 143TC
140	- 28	607	1.3	27.52	SK02 - R100 U - 143TC
130	- 26	652	1.2	29.61	SK02 - R100 U - 143TC
115	- 23	737	1.2	33.42	SK02 - R100 U - 143TC
110	- 22	773	1.7	35.07	SK12 - R100 U - 143TC
101	- 20	845	1.7	38.31	SK12 - R100 U - 143TC
90	- 18	947	1.5	43.09	SK12 - R100 U - 143TC
81	- 16	1054	1.2	47.87	SK12 - R100 U - 143TC
72	- 14	1185	1.1	53.84	SK12 - R100 U - 143TC

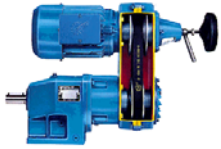


TITAN™ Gearmotors

2 hp



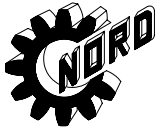
Output Speed		Output Torque T_2 [lb-in]	Service Factor f_B	Ratio	Model Type
n_{21} [rpm]	n_{22} [rpm]				
1308	- 262	87	5	2.95	SK02 - R100 U - 145TC
1141	- 228	99	5	3.38	SK02 - R100 U - 145TC
992	- 198	114	4	3.89	SK02 - R100 U - 145TC
914	- 183	124	3.5	4.22	SK02 - R100 U - 145TC
800	- 160	142	3.6	4.82	SK02 - R100 U - 145TC
692	- 138	164	3.1	5.57	SK02 - R100 U - 145TC
632	- 126	180	2.6	6.10	SK02 - R100 U - 145TC
560	- 112	203	2.7	6.89	SK02 - R100 U - 145TC
495	- 99	229	2.4	7.80	SK02 - R100 U - 145TC
471	- 94	241	2.3	8.19	SK02 - R100 U - 145TC
416	- 83	273	2.1	9.28	SK02 - R100 U - 145TC
388	- 78	293	1.9	9.95	SK02 - R100 U - 145TC
342	- 68	332	1.8	11.27	SK02 - R100 U - 145TC
301	- 60	377	1.6	12.82	SK02 - R100 U - 145TC
242	- 48	469	1.4	15.95	SK02 - R100 U - 145TC
187	- 37	606	1.1	20.59	SK02 - R100 U - 145TC
158	- 32	718	1.1	24.39	SK02 - R100 U - 145TC
149	- 30	763	1.6	25.92	SK12 - R100 U - 145TC
132	- 26	858	1.3	29.15	SK12 - R100 U - 145TC
124	- 25	920	1.6	31.19	SK12 - R100 U - 145TC
110	- 22	1035	1.3	35.07	SK12 - R100 U - 145TC
101	- 20	1124	1.3	38.31	SK12 - R100 U - 145TC
90	- 18	1266	1.1	43.09	SK12 - R100 U - 145TC



3 hp TITAN™ Gearmotors

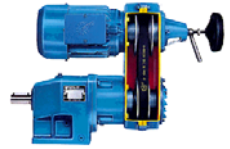


Output Speed		Output Torque T_2 [lb-in]	Service Factor f_B	Ratio	Model Type
n_{21} [rpm]	n_{22} [rpm]				
1371	- 229	124	7	2.96	SK12 - R150 U - 145TC
1198	- 200	142	7	3.39	SK12 - R150 U - 145TC
1020	- 170	167	6	3.98	SK12 - R150 U - 145TC
940	- 157	181	5	4.32	SK12 - R150 U - 145TC
904	- 151	189	5	4.49	SK12 - R150 U - 145TC
823	- 137	207	5	4.93	SK12 - R150 U - 145TC
701	- 117	242	4	5.79	SK12 - R150 U - 145TC
622	- 104	373	4	6.53	SK12 - R150 U - 145TC
558	93	305	3.4	7.28	SK12 - R150 U - 145TC
517	- 86	329	3.4	7.85	SK12 - R150 U - 145TC
474	- 79	359	3.0	8.56	SK12 - R150 U - 145TC
421	- 70	404	2.9	9.65	SK12 - R150 U - 145TC
379	- 63	449	2.6	10.70	SK12 - R150 U - 145TC
303	- 51	561	2.3	13.39	SK12 - R150 U - 145TC
243	- 40	702	1.8	16.73	SK12 - R150 U - 145TC
216	- 36	788	1.7	18.79	SK12 - R150 U - 145TC
191	- 32	894	1.5	21.28	SK12 - R150 U - 145TC
157	- 26	1089	1.1	25.92	SK12 - R150 U - 145TC
141	- 23	1204	2.3	28.80	SK22 - R150 U - 145TC
130	- 22	1310	1.1	31.19	SK12 - R150 U - 145TC
114	- 19	1487	1.9	35.55	SK22 - R150 U - 145TC
95	- 16	1797	1.4	42.82	SK22 - R150 U - 145TC
88	- 15	1938	2.6	46.25	SK32 - R150 U - 145TC
88	- 15	1920	1.2	45.90	SK22 - R150 U - 145TC
73	- 12	2319	1.1	55.28	SK22 - R150 U - 145TC
71	- 12	2416	2.1	57.53	SK32 - R150 U - 145TC
63	- 11	2690	1.7	64.26	SK32 - R150 U - 145TC
54	- 9.0	3142	2.4	74.87	SK42 - R150 U - 145TC
50	- 8.3	3407	1.3	81.27	SK32 - R150 U - 145TC
48	- 8.0	3567	2.0	85.10	SK42 - R150 U - 145TC
39	- 6.5	4407	1.7	105.08	SK42 - R150 U - 145TC

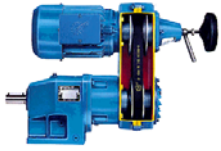


TITAN™ Gearmotors

5 hp



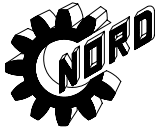
Output Speed		Output Torque T_2 [lb-in]	Service Factor f_B	Ratio	Model Type
n_{21} [rpm]	n_{22} [rpm]				
1312	- 219	216	4.7	2.79	SK22 - R196 U - 184TC
1037	- 173	273	4.2	3.53	SK22 - R196 U - 184TC
922	- 154	308	4.0	3.97	SK22 - R196 U - 184TC
792	- 132	358	3.7	4.62	SK22 - R196 U - 184TC
706	- 118	402	3.5	5.18	SK22 - R196 U - 184TC
632	- 105	449	4.2	5.79	SK22 - R196 U - 184TC
562	- 94	504	4.0	6.51	SK22 - R196 U - 184TC
533	- 89	532	4.2	6.86	SK22 - R196 U - 184TC
483	- 81	587	3.7	7.57	SK22 - R196 U - 184TC
432	- 72	658	3.5	8.48	SK22 - R196 U - 184TC
336	- 56	844	3.2	10.89	SK22 - R196 U - 184TC
300	- 50	947	2.9	12.20	SK22 - R196 U - 184TC
249	- 42	1142	2.2	14.69	SK22 - R196 U - 184TC
218	- 36	1301	1.9	16.75	SK22 - R196 U - 184TC
183	- 30	1549	1.6	20.03	SK22 - R196 U - 184TC
154	- 26	1841	1.5	23.74	SK22 - R196 U - 184TC
134	- 22	2115	2.3	27.24	SK32 - R196 U - 184TC
127	- 21	2230	1.2	28.80	SK22 - R196 U - 184TC
111	- 18	2567	1.3	33.05	SK32 - R196 U - 184TC
98	- 16	2885	1.8	37.23	SK32 - R196 U - 184TC
79	- 13	3584	1.4	46.25	SK32 - R196 U - 184TC
64	- 11	4460	1.1	57.53	SK32 - R196 U - 184TC
49	- 8.1	5806	1.3	74.87	SK42 - R196 U - 184TC
47	- 7.8	6089	2.3	78.56	SK52 - R196 U - 184TC
43	- 7.2	6602	1.1	85.10	SK42 - R196 U - 184TC
42	- 7.0	6744	2.0	86.92	SK52 - R196 U - 184TC
34	- 5.7	8292	3.9	106.95	SK63 - R196 U - 184TC
28	- 4.6	10275	3.2	132.54	SK63 - R196 U - 184TC
25	- 4.2	11301	2.9	145.71	SK63 - R196 U - 184TC
20	- 3.4	14001	2.3	180.57	SK63 - R196 U - 184TC
17	- 2.8	16603	1.9	214.10	SK63 - R196 U - 184TC
14	- 2.3	20567	1.6	265.32	SK63 - R196 U - 184TC
12	- 2.0	28384	1.2	300.34	SK63 - R196 U - 184TC



7.5 hp TITAN™ Gearmotors



Output Speed		Output Torque T_2 [lb-in]	Service Factor f_B	Ratio	Model Type
n_{21} [rpm]	n_{22} [rpm]				
1335	- 223	319	11	2.96	SK32 - R210 U - 213TC
1008	- 168	422	10	3.75	SK32 - R210 U - 213TC
853	- 142	499	8	4.43	SK32 - R210 U - 213TC
748	- 125	569	6	5.05	SK32 - R210 U - 213TC
687	- 115	620	6	5.50	SK32 - R210 U - 213TC
663	- 111	642	7	5.70	SK32 - R210 U - 213TC
626	- 104	681	5	6.04	SK32 - R210 U - 213TC
561	- 93	759	6	6.74	SK32 - R210 U - 213TC
536	- 89	784	2.7	7.05	SK32 - R210 U - 213TC
478	- 80	894	5	7.90	SK32 - R210 U - 213TC
452	- 75	938	5	8.36	SK32 - R210 U - 213TC
386	- 64	1106	5	9.80	SK32 - R210 U - 213TC
323	- 54	1319	3.8	11.71	SK32 - R210 U - 213TC
260	- 43	1637	3.0	14.55	SK32 - R210 U - 213TC
251	- 42	1690	2.7	15.03	SK32 - R210 U - 213TC
233	- 39	1832	2.5	16.25	SK32 - R210 U - 213TC
202	- 34	2106	2.3	18.67	SK32 - R210 U - 213TC
183	- 30	2328	2.1	20.70	SK32 - R210 U - 213TC
163	- 27	2602	1.7	23.12	SK32 - R210 U - 213TC
139	- 23	3071	1.6	27.24	SK32 - R210 U - 213TC
124	- 21	3425	1.3	30.43	SK32 - R210 U - 213TC
102	- 17	4195	1.2	37.23	SK32 - R210 U - 213TC
92	- 15	4646	1.7	41.29	SK42 - R210 U - 213TC
74	- 12	5744	1.3	50.98	SK42 - R210 U - 213TC
62	- 10	6832	1.2	60.66	SK42 - R210 U - 213TC
53	- 8.8	8036	1.7	71.39	SK52 - R210 U - 213TC
48	- 8.0	8850	1.6	78.56	SK52 - R210 U - 213TC
43	- 7.2	9788	1.4	86.92	SK52 - R210 U - 213TC

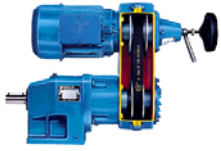


TITAN™ Gearmotors

10 hp



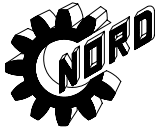
Output Speed		Output Torque T_2 [lb-in]	Service Factor f_B	Ratio	Model Type
n_{21} [rpm]	n_{22} [rpm]				
1335	- 223	425	8	2.96	SK32 - R210 U - 215TC
1008	- 168	563	7	3.75	SK32 - R210 U - 215TC
853	- 142	666	6	4.43	SK32 - R210 U - 215TC
748	- 125	758	5	5.05	SK32 - R210 U - 215TC
687	- 115	826	5	5.50	SK32 - R210 U - 215TC
663	- 111	856	5	5.70	SK32 - R210 U - 215TC
626	- 104	903	4	6.04	SK32 - R210 U - 215TC
561	- 93	1009	5	6.74	SK32 - R210 U - 215TC
536	- 89	1062	2.0	7.05	SK32 - R210 U - 215TC
478	- 80	1186	4	7.90	SK32 - R210 U - 215TC
452	- 75	1257	4	8.36	SK32 - R210 U - 215TC
386	- 64	1469	3.4	9.80	SK32 - R210 U - 215TC
323	- 54	1761	2.8	11.71	SK32 - R210 U - 215TC
260	- 43	2186	2.2	14.55	SK32 - R210 U - 215TC
251	- 42	2257	2.0	15.03	SK32 - R210 U - 215TC
227	- 38	2505	1.9	16.66	SK32 - R210 U - 215TC
202	- 34	2805	1.8	18.67	SK32 - R210 U - 215TC
183	- 30	3106	1.6	20.70	SK32 - R210 U - 215TC
163	- 27	3469	1.3	23.12	SK32 - R210 U - 215TC
139	- 23	4089	1.2	27.24	SK32 - R210 U - 215TC
124	- 21	4575	1.6	30.46	SK42 - R210 U - 215TC
107	- 18	5292	1.7	35.25	SK42 - R210 U - 215TC
92	- 15	6204	1.3	41.29	SK42 - R210 U - 215TC
77	- 13	7346	1.9	48.90	SK52 - R210 U - 215TC
70	- 12	8080	1.7	53.81	SK52 - R210 U - 215TC
63	- 11	8939	1.5	59.54	SK52 - R210 U - 215TC
53	- 8.8	10717	1.3	71.39	SK52 - R210 U - 215TC
48	- 8.0	11797	1.2	78.56	SK52 - R210 U - 215TC



15 hp TITAN™ Gearmotors



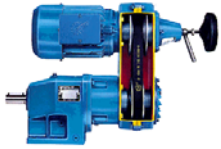
Output Speed		Output Torque T_2 [lb-in]	Service Factor f_B	Ratio	Model Type
n_{21} [rpm]	n_{22} [rpm]				
1251	- 209	681	8	3.02	SK42 - R250 U - 254TC
1177	- 196	723	8	3.21	SK42 - R250 U - 254TC
1080	- 180	789	7	3.50	SK42 - R250 U - 254TC
972	- 162	876	7	3.89	SK42 - R250 U - 254TC
825	- 138	1035	6	4.58	SK42 - R250 U - 254TC
741	- 124	1151	5	5.10	SK42 - R250 U - 254TC
706	- 118	1204	5	5.35	SK42 - R250 U - 254TC
657	- 110	1292	4	5.75	SK42 - R250 U - 254TC
611	- 102	1398	5	6.19	SK42 - R250 U - 254TC
568	- 95	1496	4	6.65	SK42 - R250 U - 254TC
519	- 87	1637	4	7.28	SK42 - R250 U - 254TC
445	- 74	1912	4	8.50	SK42 - R250 U - 254TC
371	- 62	2301	3.3	10.20	SK42 - R250 U - 254TC
308	- 51	2770	2.6	12.28	SK42 - R250 U - 254TC
263	- 44	3239	2.4	14.38	SK42 - R250 U - 254TC
250	- 42	3407	2.3	15.12	SK42 - R250 U - 254TC
211	- 35	4036	2.1	17.92	SK42 - R250 U - 254TC
176	- 29	4841	1.9	21.50	SK42 - R250 U - 254TC
146	- 24	5832	1.5	25.88	SK42 - R250 U - 254TC
129	- 22	6593	1.4	29.29	SK42 - R250 U - 254TC
107	- 18	7938	1.1	35.25	SK42 - R250 U - 254TC
103	- 17	8266	1.7	36.69	SK52 - R250 U - 254TC
98	- 16	8664	1.7	38.45	SK52 - R250 U - 254TC
77	- 13	11009	1.3	48.90	SK52 - R250 U - 254TC
70	- 12	12116	1.2	53.81	SK52 - R250 U - 254TC



TITAN™ Gearmotors



Output Speed		Output Torque T_2 [lb-in]	Service Factor f_B	Ratio	Model Type
n_{21} [rpm]	n_{22} [rpm]				
1044	- 174	1089	8	3.40	SK52 - R280 U - 256TC
967	- 161	1177	8	3.67	SK52 - R280 U - 256TC
870	- 145	1301	7	4.08	SK52 - R280 U - 256TC
770	- 128	1478	7	4.61	SK52 - R280 U - 256TC
634	- 106	1788	6	5.60	SK52 - R280 U - 256TC
613	- 102	1850	6	5.79	SK52 - R280 U - 256TC
553	- 92	2053	6	6.42	SK52 - R280 U - 256TC
488	- 81	2328	6	7.27	SK52 - R280 U - 256TC
461	- 77	2460	6	7.70	SK52 - R280 U - 256TC
402	- 67	2823	5	8.83	SK52 - R280 U - 256TC
336	- 56	3381	5	10.58	SK52 - R280 U - 256TC
291	- 48	3903	3.8	12.20	SK52 - R280 U - 256TC
264	- 44	4301	3.4	13.45	SK52 - R280 U - 256TC
254	- 42	4478	3.7	14.00	SK52 - R280 U - 256TC
199	- 33	5691	2.5	17.81	SK52 - R280 U - 256TC
181	- 30	6266	2.3	19.60	SK52 - R280 U - 256TC
164	- 27	6930	2.0	21.68	SK52 - R280 U - 256TC
147	- 25	7691	1.6	24.07	SK52 - R280 U - 256TC
134	- 22	8461	1.9	26.46	SK52 - R280 U - 256TC
123	- 21	9222	1.8	28.85	SK52 - R280 U - 256TC
111	- 18	10257	1.2	32.09	SK52 - R280 U - 256TC
97	- 16	11726	1.2	36.69	SK52 - R280 U - 256TC
92	- 15	12293	1.2	38.45	SK52 - R280 U - 256TC
88	- 15	12903	1.1	40.37	SK52 - R280 U - 256TC
70	- 12	16222	2.0	50.73	SK63 - R280 U - 256TC
66	- 11	17204	1.9	53.82	SK63 - R280 U - 256TC
56	- 9.4	20098	1.6	62.87	SK63 - R280 U - 256TC
47	- 7.9	23939	2.0	74.87	SK73 - R280 U - 256TC
46	- 7.6	24762	1.3	77.46	SK63 - R280 U - 256TC
39	- 6.5	29214	1.6	91.38	SK73 - R280 U - 256TC
35	- 5.9	32117	1.1	100.46	SK73 - R280 U - 256TC
28	4.7	39825	1.2	124.57	SK73 - R280 U - 256TC



25 hp TITAN™ Gearmotors

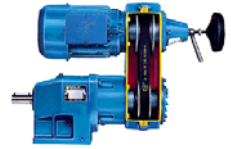


Output Speed		Output Torque T_2 [lb-in]	Service Factor f_B	Ratio	Model Type
n_{21} [rpm]	n_{22} [rpm]				
945	- 158	1505	6.4	4.08	SK52 - R300 U - 284TC
837	- 139	1699	6.0	4.61	SK52 - R300 U - 284TC
689	- 115	2062	5.5	5.60	SK52 - R300 U - 284TC
601	- 100	2363	5.4	6.42	SK52 - R300 U - 284TC
531	- 88	2673	5.0	7.27	SK52 - R300 U - 284TC
501	- 83	2832	4.8	7.70	SK52 - R300 U - 284TC
437	- 73	3248	4.4	8.83	SK52 - R300 U - 284TC
365	- 61	3894	3.9	10.58	SK52 - R300 U - 284TC
316	- 53	4487	3.3	12.20	SK52 - R300 U - 284TC
287	- 48	4947	2.9	13.45	SK52 - R300 U - 284TC
276	- 46	5151	3.2	14.00	SK52 - R300 U - 284TC
217	- 36	6549	2.1	17.81	SK52 - R300 U - 284TC
197	- 33	7213	2.0	19.60	SK52 - R300 U - 284TC
178	- 30	7974	1.7	21.68	SK52 - R300 U - 284TC
160	- 27	8850	1.6	24.07	SK52 - R300 U - 284TC
146	- 24	9735	1.4	26.46	SK52 - R300 U - 284TC
134	- 22	10611	1.6	28.85	SK52 - R300 U - 284TC
107	- 18	13284	2.5	36.11	SK63 - R300 U - 284TC
89	- 15	32568	2.0	43.43	SK63 - R300 U - 284TC
76	- 13	18656	1.8	50.73	SK63 - R300 U - 284TC
72	- 12	19797	1.7	53.82	SK63 - R300 U - 284TC
61	- 10	23125	1.4	62.87	SK63 - R300 U - 284TC
50	- 8	28488	1.1	77.46	SK63 - R300 U - 284TC
42	- 7	33612	1.4	91.38	SK73 - R300 U - 284TC
37	- 6.2	38250	2.1	104.00	SK83 - R300 U - 284TC
31	- 5.2	45816	1.1	124.57	SK73 - R300 U - 284TC
23	- 3.9	60578	1.3	164.70	SK83 - R300 U - 284TC



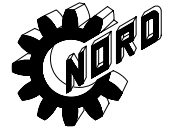
TITAN™ Gearmotors

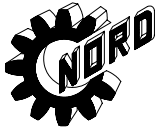
30 hp



Output Speed		Output Torque T_2 [lb-in]	Service Factor f_B	Ratio	Model Type
n_{21} [rpm]	n_{22} [rpm]				
945	- 158	1797	5.4	4.08	SK52 - R300 U - 286TC
837	- 139	2036	5.0	4.61	SK52 - R300 U - 286TC
689	- 115	2469	4.6	5.60	SK52 - R300 U - 286TC
601	- 100	2832	4.5	6.42	SK52 - R300 U - 286TC
531	- 88	3213	4.2	7.27	SK52 - R300 U - 286TC
501	- 83	3398	4.0	7.70	SK52 - R300 U - 286TC
437	- 73	3894	3.7	8.83	SK52 - R300 U - 286TC
365	- 61	4673	3.2	10.58	SK52 - R300 U - 286TC
316	- 53	5381	2.8	12.20	SK52 - R300 U - 286TC
287	- 48	5938	2.4	13.45	SK52 - R300 U - 286TC
276	- 46	6177	2.7	14.00	SK52 - R300 U - 286TC
217	- 36	7859	1.8	17.81	SK52 - R300 U - 286TC
197	- 33	8646	1.6	19.60	SK52 - R300 U - 286TC
178	- 30	9567	1.4	21.68	SK52 - R300 U - 286TC
160	- 27	10620	1.4	24.07	SK52 - R300 U - 286TC
146	- 24	11682	1.2	26.46	SK52 - R300 U - 286TC
134	- 22	12735	1.3	28.85	SK52 - R300 U - 286TC
107	- 18	15939	2.0	36.11	SK63 - R300 U - 286TC
89	- 15	19169	1.7	43.43	SK63 - R300 U - 286TC
76	- 13	22391	1.5	50.73	SK63 - R300 U - 286TC
72	- 12	23753	1.4	53.82	SK63 - R300 U - 286TC
64	- 11	26683	1.9	60.46	SK73 - R300 U - 286TC
61	- 10	27745	1.2	62.87	SK63 - R300 U - 286TC
52	- 9	33046	1.4	74.87	SK73 - R300 U - 286TC
42	- 7.0	40329	1.2	91.38	SK73 - R300 U - 286TC
37	- 6.2	45896	1.8	104.00	SK83 - R300 U - 286TC
28	- 4.7	60366	1.1	136.78	SK83 - R300 U - 286TC
23	- 3.9	72685	1.1	164.70	SK83 - R300 U - 286TC

Notes



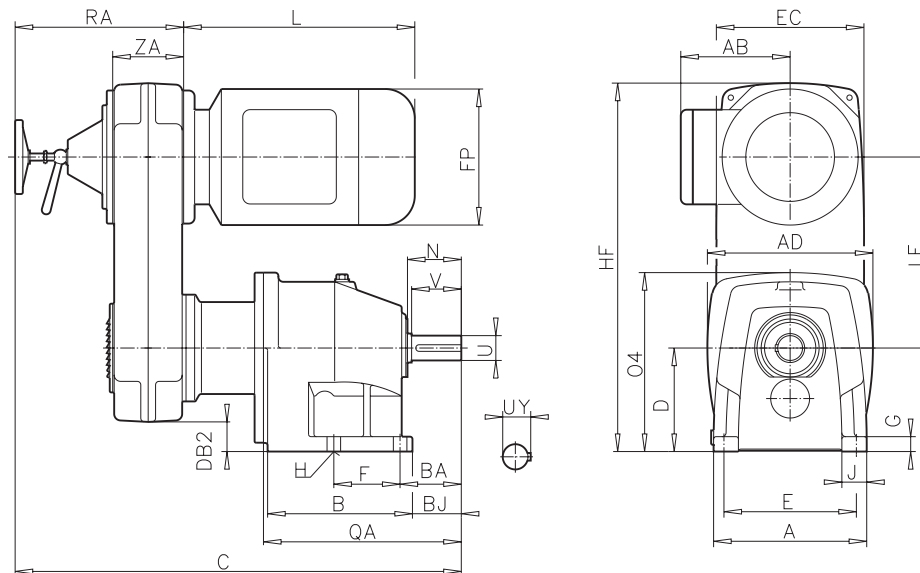


Titan™ Beltcase Gearmotor Dimensions





Titan™ - Foot Mounted Gearmotor Two-stage

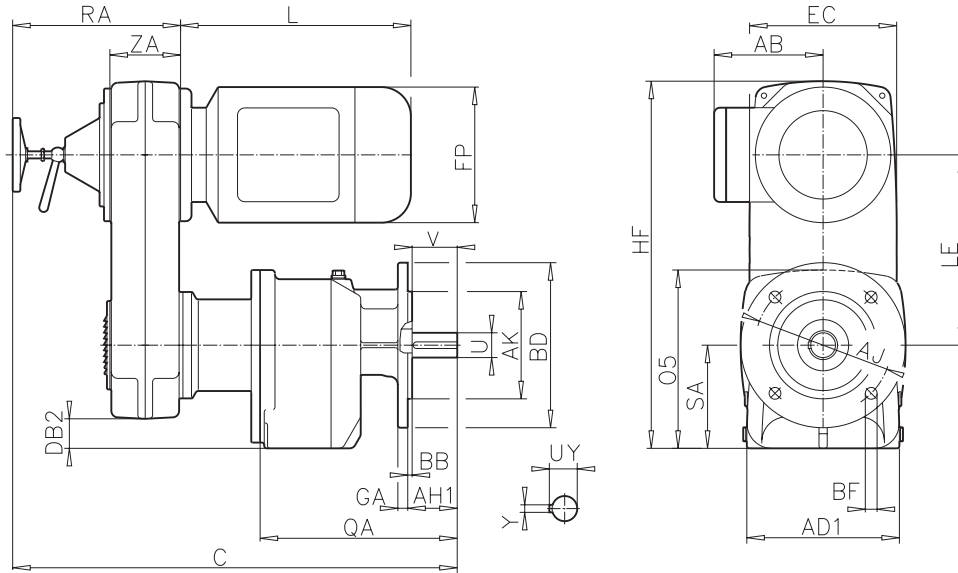


Type	Gear reducer dimensions					Outline dimensions					Motor dimensions			Shaft dimensions				
	A AD	B BA BJ	D E F	G H J	N O4 QA	C	DB2	EC	HF	LE	RA	ZA	AB	FP	L	U	UY	V
SK 02 - R 100 U - 56 C - 143 TC - 145 TC	5.12	5.28	3.39	0.47	1.62	19.33	0.56	5.98	12.91	6.69	9.33	3.46	5.30	7.20	9.30	0.750	0.83	1.50
		1.97	4.33	0.35	6.02								5.30	7.20	10.30			
	5.12	1.58	2.36	0.98	7.09								5.30	7.20	11.30			3/16x3/16x1
SK 12 - R 100 U - 56 C - 143 TC - 145 TC - R 150 U - 145 TC	5.31	5.47	4.02	0.59	2.28	20.47	1.19	5.98	13.54	6.69	9.33	3.46	5.30	7.20	9.30	1.000	1.11	2.13
		3.23	4.13	0.35	6.69								5.30	7.20	10.30			
	5.12	2.52	2.44	1.19	8.23								5.30	7.20	11.30			1/4x1/4x1-5/8
SK 22 - R 150 U - 145 TC - R 196 U - 184 TC	7.28	6.89	4.92	0.71	2.95	24.72	0.98	8.19	17.60	8.74	10.43	4.17	5.30	7.20	11.30	1.250	1.36	2.75
		3.30	6.30	0.43	8.86								5.90	8.50	14.00			
	7.87	2.71	3.15	1.38	9.80	26.89	0.20	9.84	19.80	10.16	12.60	5.04	5.90	8.50	14.00			1/4x1/4x2-1/4
SK 32 - R 150 U - 145 TC - R 196 U - 184 TC - R 210 U - 213 TC - 215 TC	8.27	8.43	6.10	0.79	3.49	26.79	2.16	8.19	18.78	8.74	10.43	4.17	5.30	7.20	11.30	1.625	1.79	3.25
		3.88	7.28	0.51	10.16								5.90	8.50	14.00			
	7.87	3.21	4.72	1.57	11.87	29.59	0.98	10.63	21.53	10.31	13.23	5.51	7.40	10.30	15.60			3/8x3/8x2-1/2
SK 42 - R 196 U - 182 TC - 184 TC - R 210 U - 213 TC - 215 TC - R 250 U - 254 TC	8.46	9.41	6.89	0.98	3.74	31.26	2.17	9.84	21.77	10.16	12.60	5.04	5.90	8.50	12.30	1.875	2.09	3.50
		5.08	6.89	0.51	11.81								5.90	8.50	14.00			
	9.84	4.13	4.72	1.57	13.78	31.89	1.77	10.63	22.32	10.31	13.23	5.51	7.40	10.30	15.60			1/2x1/2x3-3/4
SK 52 - R 196 U - 182 TC - 184 TC - R 210 U - 213 TC - 215 TC - R 250 U - 254 TC - R 280 U - 256 TC - R 300 U - 284 TC - 286 TC - R 350 U - 200 L	10.24	11.14	8.35	1.38	4.24	34.29	0.79	12.44	25.35	12.36	15.59	6.34	9.70	13.30	18.20	2.250	2.47	4.00
		5.18	8.66	0.71	13.27	33.29	3.63	9.84	23.23	10.16	12.60	5.04	5.90	8.50	12.30			
	9.84	4.39	5.91	1.77	15.81	33.92	3.23	10.63	23.78	10.31	13.23	5.51	7.40	10.30	15.60			1/2x1/2x3-1/4
													7.40	10.30	16.70			
						36.32	2.25	12.44	26.81	12.36	15.59	6.34	9.70	13.30	18.20			
						37.23	1.26	14.09	29.02	13.58	16.50	7.01	9.70	13.30	20.00			
						40.26	0.20	16.30	33.31	16.81	19.53	8.27	12.70	15.20	20.30			
						40.26	0.20	16.30	33.31	16.81	19.53	8.27	12.05	15.67	27.09			

Dimensions subject to change without notice



Titan™ - Flange Mounted Gearmotor Two-stage



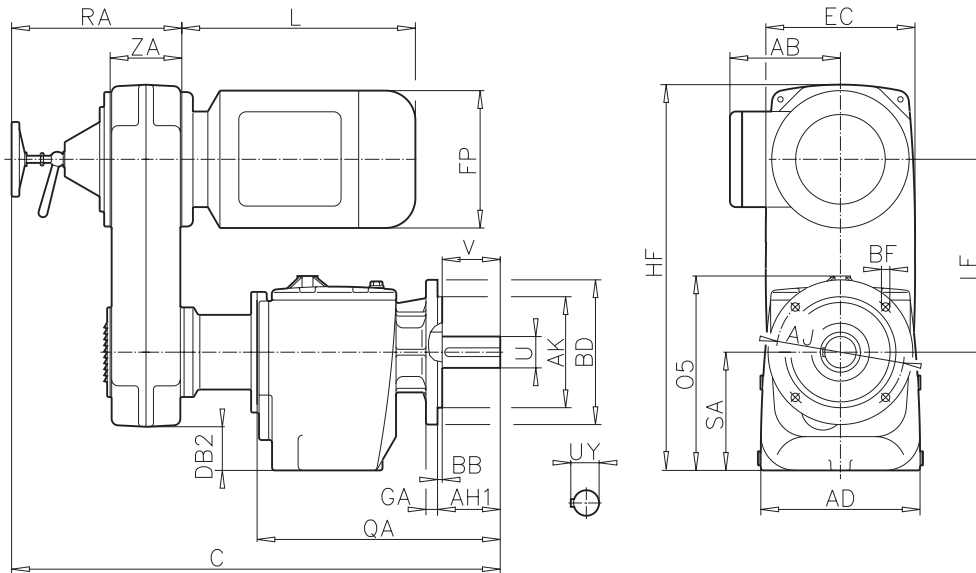
Type	Gear reducer dimensions						Outline dimensions						Motor dimensions			Shaft dimensions			
	AJ	AD1	BB	GA	QA		C	DB2	EC	HF	LE	RA	ZA	AB	FP	L	U	UY	V
	AK	AH1	BD	O5	SA												Key		
SK 02 F - R 100 U - 56 C - 143 TC - 145 TC	5.12	5.12	0.14	0.39		19.33	0.67	5.98	13.02	6.69	9.33	3.46	5.30	7.20	9.30	0.750	0.83	1.50	
			6.30	6.14	7.09								5.30	7.20	10.30				
	4.331	1.50	0.35	3.50										5.30	7.20	11.30	3/16 x 3/16 x 1		
SK 12 F - R 100 U - 56 C - 143 TC - 145 TC - R 150 U - 145 TC	5.12	5.32	0.14	0.39		20.47	1.34	5.98	13.69	6.69	9.33	3.46	5.30	7.20	9.30	1.000	1.11	2.13	
			6.30	6.85	8.23								5.30	7.20	10.30				
	4.331	2.13	0.35	4.17									5.30	7.20	11.30	1/4 x 1/4 x 1-5/8			
SK 22 F - R 150 U - 145 TC - R 196 U - 184 TC	6.50	7.28	0.14	0.47		24.72	0.98	8.19	17.60	8.74	10.43	4.17	5.30	7.20	11.30	1.250	1.36	2.75	
			7.87	8.86	9.80												1/4 x 1/4 x 2-1/4		
SK 32 F - R 150 U - 145 TC - R 196 U - 184 TC - R 210 U - 213 TC - 215 TC	8.46	8.27	0.16	0.63		26.79	2.16	8.19	18.78	8.74	10.43	4.17	5.30	7.20	11.30	1.625	1.79	3.25	
			9.84	10.16	11.87								5.90	8.50	14.00				
	7.087	3.25	0.55	6.10		29.59	0.98	10.63	21.53	10.31	13.23	5.51	7.40	10.30	15.60	3/8 x 3/8 x 2-1/2			
SK 42 F - R 196 U - 182 TC - 184 TC - R 210 U - 213 TC - 215 TC - R 250 U - 254 TC	8.46	8.47	0.16	0.63		31.26	2.17	9.84	21.77	10.16	12.60	5.04	5.90	8.50	12.30	1.875	2.09	3.50	
			9.84	11.81	13.78								5.90	8.50	14.00				
	7.087	3.50	0.55	6.89		31.89	1.77	10.63	22.32	10.31	13.23	5.51	7.40	10.30	15.60	1/2 x 1/2 x 2-3/4			
SK 52 F - R 196 U - 182 TC - 184 TC - R 210 U - 213 TC - 215 TC - R 250 U - 254 TC - R 280 U - 256 TC - R 300 U - 284 TC - 286 TC - R 350 U - 200 L	10.43	10.24	0.16	0.79		33.29	3.63	9.84	23.23	10.16	12.60	5.04	5.90	8.50	12.30	2.250	2.47	4.00	
			11.81	13.27	15.81								5.90	8.50	14.00				
	9.055	4.00	0.55	8.35		33.92	3.23	10.63	23.78	10.31	13.23	5.51	7.40	10.30	15.60	1/2 x 1/2 x 3-1/4			
														7.40	10.30	16.70			
						36.32	2.25	12.44	26.81	12.36	15.59	6.34	9.70	13.30	18.20				
						37.23	1.26	14.09	29.02	13.58	16.50	7.01	9.70	13.30	18.20				
						40.26	0.20	16.30	33.31	16.81	19.53	8.27	12.70	15.20	20.30				
					40.26	0.20	16.30	33.31	16.81	19.53	8.27	12.70	15.20	21.80					
													12.05	15.67	27.09				

ADDITIONAL FLANGE SIZES AVAILABLE						
SIZE	AJ	AK	BB	BD	BF	GA
SK 02 F	3.94 / 4.53	3.150 / 3.740	0.12 / 0.12	4.72 / 5.51	0.28 / 0.35	0.39 / 0.39
SK 12 F	3.94 / 4.53	3.150 / 3.740	0.12 / 0.12	4.72 / 5.51	0.28 / 0.35	0.39 / 0.39
SK 22 F	5.12	4.331	0.14	6.30	0.35	0.39
SK 32 F	6.50	5.118	0.14	7.87	0.43	0.47
SK 42 F	6.50	5.118	0.14	7.87	0.43	0.55
SK 52 F	8.46	7.087	0.16	9.84	0.55	0.63

Dimensions subject to change without notice



Titan™ - Flange Mounted Gearmotor Two & Three-stage

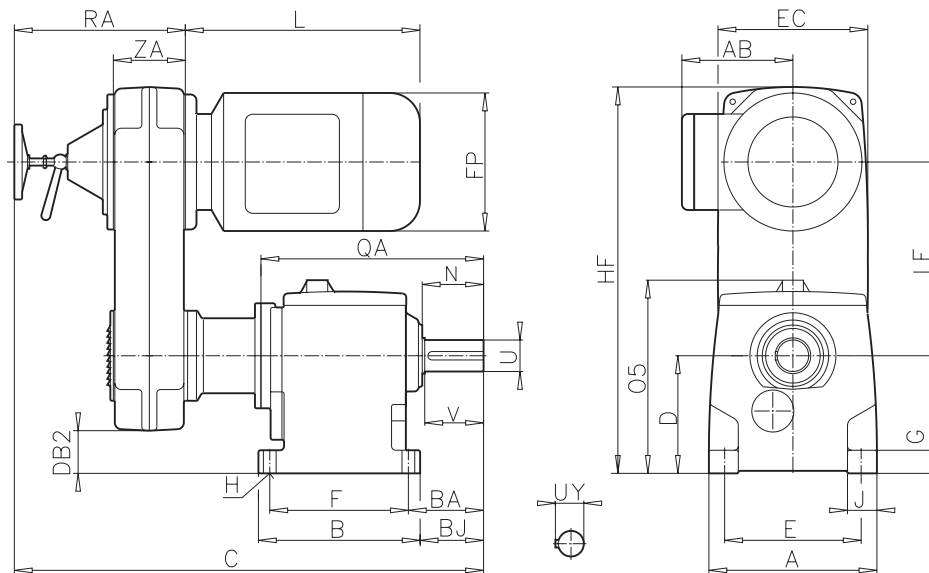


Type	Gear reducer dimensions						Outline dimensions						Motor dimensions			Shaft dimensions			
	AJ	AD	BB	GA			C	DB2	EC	HF	LE	RA	ZA	AB	FP	L	U	UY	V
	AK	AH1	BF	O5	SA	QA													
SK 63 F - R 196 U - 182 TC - 184 TC - R 280 U - 254 TC - 256 TC - R 300 U - 284 TC - 286 TC - R 350 U - 200 L	10.43	12.99	0.16	0.95			37.24	4.92	9.84	24.53	10.16	12.60	5.04	5.90	8.50	12.30	2.500	2.77	5.00
			11.81	15.55	19.76									5.90	8.50	14.00			
	9.055	5.00	0.55	9.65			41.18	2.56	14.09	30.31	13.58	16.50	7.01	9.70	13.30	18.20			
														9.70	13.30	20.00			
SK 62 F - R 280 U - 256 TC - R 300 U - 284 TC - 286 TC - R 350 U - 200 L - R 375 U - 225 S - 225 M - R 400 U - 250 M	10.43	12.99	0.16	0.95			43.98	2.56	14.09	3.031	13.58	16.50	7.01	9.70	13.30	20.00	2.500	2.77	5.00
			11.81	15.55	20.79									12.70	15.20	20.30			
	9.055	5.00	0.55	9.65			47.01	1.50	16.30	34.61	16.81	19.53	8.27	12.70	15.20	21.80			
														12.70	15.20	21.80			
							47.01	1.50	16.30	34.61	16.81	19.53	8.27	12.05	15.67	27.09			
							53.15	-0.20	19.69	40.20	20.71	22.44	9.45	12.05	15.67	27.09			
SK 73 F - R 280 U - 254 TC - 256 TC - R 300 U - 284 TC - 286 TC - R 350 U - 200 L - R 375 U - 225 S - 225 M - R 400 U - 250 M	11.81	15.75	0.20	0.95			46.64	3.74	14.09	31.50	13.58	16.50	7.01	9.70	13.30	18.20	3.000	3.33	5.50
			13.78	15.75	23.45									9.70	13.30	20.00			
	9.843	5.50	0.71	10.83			49.67	2.68	16.30	35.79	16.81	19.53	8.27	12.70	15.20	20.30			
														12.70	15.20	21.80			
							49.67	2.68	16.30	35.79	16.81	19.53	8.27	12.05	15.67	27.09			
							55.81	0.98	19.69	41.38	20.71	22.44	9.45	12.05	15.67	27.09			
SK 72 F - R 350 U - 200 L - R 375 U - 225 S - 225 M - R 400 U - 250 M	11.81	15.75	0.20	0.95			49.40	2.68	16.30	35.79	16.81	19.53	8.27	12.05	15.67	27.09	3.000	3.33	5.50
			13.78	15.75	23.18									12.05	15.67	27.09			
	9.843	5.50	0.71	10.83			55.54	0.98	19.69	41.38	20.71	22.44	9.45	12.05	15.67	27.09			
														12.05	15.67	27.09			
						55.54	0.98	19.69	41.38	20.71	22.44	9.45	16.93	20.47	31.10				

Dimensions subject to change without notice



Titan™ - Foot Mounted Gearmotor Two & Three-stage

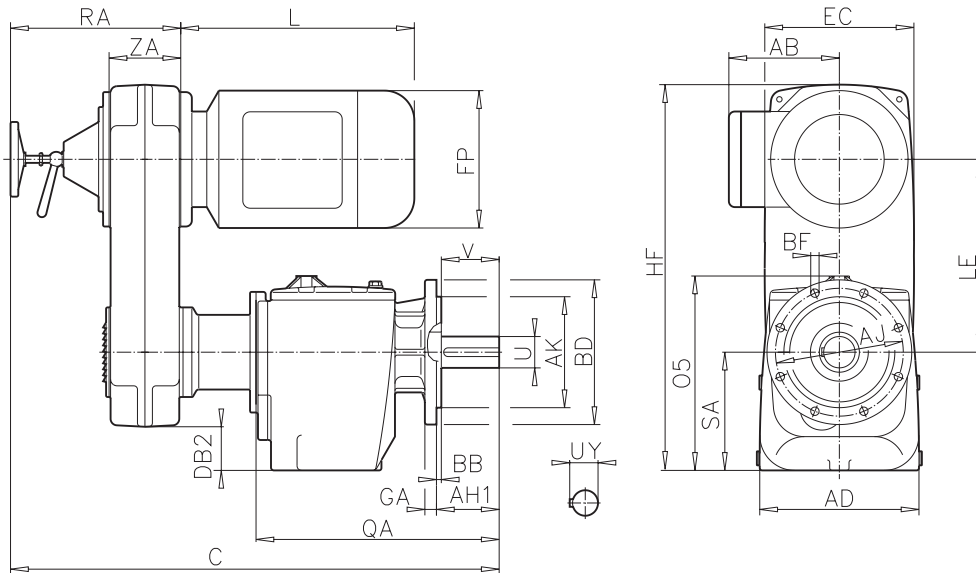


Type	Gear reducer dimensions						Outline dimensions						Motor dimensions			Shaft dimensions			
	A	BA	D	G	N	O5	C	DB2	EC	HF	LE	RA	ZA	AB	FP	L	U	UY	V
	B	BJ	E	H	QA												Key		
SK 83 - R 300 U - 256 TC - 284 TC - 286 TC - R 350 U - 200 L - R 375 U - 225 S - 225 M - R 400 U - 250 M	17.72	8.52	12.40	2.17	6.99	50.33	4.25	16.30	37.36	16.81	19.53	8.27	9.70	13.30	20.00	3.500	3.88	6.75	
			14.17	1.30	20.16								12.70	15.20	20.30				
	18.58	7.07	15.75	3.54	24.11									12.70	15.20				21.80
						50.33	4.25	16.30	37.36	16.81	19.53	8.27	12.05	15.67	27.09				
						56.47	2.56	19.69	38.90	20.71	22.44	9.45	12.05	15.67	27.09				
SK 82 - R 350 U - 200 L	17.72	8.52	12.40	2.17	6.99	52.93	4.25	16.30	37.36	16.81	19.53	8.27	12.05	15.67	27.09	3.500	3.88	6.75	
			14.17	1.30	20.16														
	18.58	7.07	15.75	3.54	24.11														
SK 82 - R 375 U - 225 S - 225 M - R 400 U - 250 M - R 500 U - 280 S - 280 M - 315 S	17.72	8.52	12.40	2.17	6.99	56.47	2.56	19.69	42.95	20.71	22.44	9.45	12.05	15.67	27.09	3.500	3.88	6.75	
			14.17	1.30	20.16								12.05	15.67	27.09				
	18.58	7.07	15.75	3.54	24.74	56.47	2.56	19.69	42.95	20.71	22.44	9.45	19.63	20.47	31.10				
					59.62	-0.79	19.69	60.79	35.20	25.24	11.81	17.91	22.64	34.06	17.91	22.64	34.06		
												20.28	25.39	38.19					
SK 93 - R 300 U - 256 TC - R 375 U - 225 S - 225 M - R 400 U - 250 M	21.65	10.67	15.35	2.76	8.81	54.09	7.20	16.30	40.31	16.81	19.53	8.27	9.70	13.30	20.00	4.250	4.69	8.50	
			17.32	1.30	24.33	60.23	5.51	19.69	45.91	20.71	22.44	9.45	12.05	15.67	27.09				
	21.26	8.89	17.72	4.33	27.87								12.05	15.67	27.09				
						60.23	5.51	19.69	38.90	20.71	22.44	9.45	19.63	20.47	31.10				
SK 92 - R 375 U - 225 S - 225 M - R 400 U - 250 M - R 500 U - 280 S - 280 M - 315 S	21.65	10.67	15.35	2.76	8.81	60.15	5.51	19.69	45.91	20.71	22.44	9.45	12.05	15.67	27.09	4.250	4.69	8.50	
			17.32	1.30	24.33								12.05	15.67	27.09				
	21.26	8.89	17.72	4.33	28.42	60.15	5.51	19.69	45.91	20.71	22.44	9.45	16.93	20.47	31.10				
					63.30	2.17	19.69	63.74	35.20	25.24	11.81	17.91	22.64	34.06	17.91	22.64	34.06		
												20.28	25.39	38.19					
SK 103 - R 300 U - 256 TC - R 375 U - 225 S - 225 M - R 500 U - 280 S - 280 M - 315 S	23.62	12.76	17.72	3.15	10.39	61.06	9.57	16.30	42.68	16.81	19.53	8.27	9.70	13.30	20.00	5.250	5.80	10.0	
			18.90	1.77	27.80	63.97	7.87	19.69	48.27	20.71	22.44	9.45	12.05	15.67	27.09				
	24.61	10.39	19.88	4.72	32.24								12.05	15.67	27.09				
						67.12	4.53	19.69	66.10	20.71	22.44	9.45	17.91	22.64	34.06				
SK 102 - R 500 U - 280 S - 280 M - 315 S	23.62	12.76	17.72	3.15	10.39	66.77	4.53	19.69	66.10	35.20	25.24	11.81	17.91	22.64	34.06	5.250	5.80	10.0	
			18.90	1.77	27.80								17.91	22.64	34.06				
	24.61	10.39	19.88	4.72	31.89								20.28	25.39	38.19				

Dimensions subject to change without notice



Titan™ - Flange Mounted Gearmotor Two & Three-stage



Type	Gear reducer dimensions					Outline dimensions							Motor dimensions			Shaft dimensions		
	AJ	AD	BB	GA	QA	C	DB2	EC	HF	LE	RA	ZA	AB	FP	L	U	UY	V
	AK	AH1	BD	BF														
SK 83 F - R 300 U - 256 TC - 284 TC - 286 TC - R 350 U - 200 L - R 375 U - 225 S - 225 M - R 400 U - 250 M	15.75	17.72	0.20	1.02	27.10	53.32	4.02	16.30	37.13	16.81	19.53	8.27	9.70	13.30	20.00	3.500	3.88	6.75
			17.72	19.92									12.70	15.20	20.30			
	13.780	6.75	0.71	12.17	12.05								15.67	27.09				
					12.05								15.67	27.09				
					12.05								15.67	27.09				
SK 82 F - R 350 U - 200 L	15.75	17.72	0.20	1.02	27.06	55.58	4.02	16.30	37.13	16.81	19.53	8.27	12.05	15.67	27.09	3.500	3.88	6.75
	13.780	6.75	0.71	12.17														7/8 x 7/8 x 5-1/2
SK 82 F - R 375 U - 225 S - 225 M - R 400 U - 250 M - R 500 U - 280 S - 280 M - 315 S	15.75	17.72	0.20	1.02	27.69	59.42	2.32	19.69	42.72	20.71	22.44	9.45	12.05	15.67	27.09	3.500	3.88	6.75
			17.72	19.92	27.09								12.05	15.67	27.09			
	13.780	6.75	0.71	12.17		59.42	2.32	19.69	42.72	20.71	22.44	9.45	19.63	20.47	31.10			
						62.47	-1.02	19.69	60.55	35.20	25.24	11.81	17.91	22.64	34.06			
SK 93 F - R 300 U - 256 TC - R 375 U - 225 S - 225 M - R 400 U - 250 M	15.75	21.65	0.20	1.10		56.89	6.97	16.30	40.08	16.81	19.53	8.27	9.70	13.30	20.00	4.250	4.69	8.50
					30.67	63.03	5.28	19.69	45.67	20.71	22.44	9.45	12.05	15.67	27.09			
	13.780	8.50	0.71	15.12		63.03	5.28	19.69	45.67	20.71	22.44	9.45	19.63	20.47	31.10			
SK 92 F - R 375 U - 225 S - 225 M - R 400 U - 250 M - R 500 U - 280 S - 280 M - 315 S	15.75	21.65	0.20	1.10	31.22	62.95	5.28	19.69	45.67	20.71	22.44	9.45	12.05	15.67	27.09	4.250	4.69	8.50
			17.72	24.09									12.05	15.67	27.09			
	13.780	8.50	0.71	15.12		62.95	5.28	19.69	45.67	20.71	22.44	9.45	16.93	20.47	31.10			
						66.10	1.93	19.69	63.50	35.20	25.24	11.81	17.91	22.64	34.06			
SK 103 F - R 300 U - 256 TC - R 375 U - 225 S - 225 M - R 500 U - 280 S - 280 M - 315 S	19.68	23.62	0.20	1.26		64.41	9.25	16.30	42.36	16.81	19.53	8.27	9.70	13.30	20.00	5.250	5.80	10.0
					35.59	67.32	7.56	19.69	47.95	20.71	22.44	9.45	12.05	15.67	27.09			
	17.717	10.00	0.71	17.40		70.47	4.21	19.69	65.79	20.71	22.44	9.45	17.91	22.64	34.06			
SK 102 F - R 500 U - 280 S - 280 M - 315 S	19.68	23.62	0.20	1.26		70.12	4.21	19.69	65.79	35.20	25.24	11.81	17.91	22.64	34.06	5.250	5.80	10.0
					35.24								17.91	22.64	34.06			
	17.717	10.00	0.71	17.40									20.28	25.39	38.19			

Dimensions subject to change without notice

Notes





NORDISC® Gearmotors Ratings

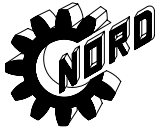




1/4 hp NORDISC® Gearmotors



Output Speed		Output Torque T_2 [lb-in]	Service Factor f_B	Ratio	Model Type		
n_{21} [rpm]	n_{22} [rpm]						
1621	- 231	9	24	1.35	SK11E	- RV10	- 56C
1421	- 203	10	24	1.54	SK11E	- RV10	- 56C
1209	- 172	11	23	1.81	SK11E	- RV10	- 56C
1073	- 153	13	22	2.04	SK11E	- RV10	- 56C
927	- 134	15	21	2.32	SK11E	- RV10	- 56C
760	- 110	19	20	2.83	SK11E	- RV10	- 56C
742	- 106	19	21	2.95	SK02	- RV10	- 56C
688	- 98	20	17	3.18	SK11E	- RV10	- 56C
647	- 92	21	20	3.38	SK02	- RV10	- 56C
608	- 87	23	16	3.60	SK11E	- RV10	- 56C
562	- 80	25	19	3.89	SK02	- RV10	- 56C
518	- 74	27	16	4.22	SK02	- RV10	- 56C
454	- 65	31	16	4.82	SK02	- RV10	- 56C
393	- 56	35	14	5.57	SK02	- RV10	- 56C
359	- 51	39	12	6.10	SK02	- RV10	- 56C
318	- 45	44	12	6.89	SK02	- RV10	- 56C
281	- 40	50	11	7.80	SK02	- RV10	- 56C
270	- 39	51	5	8.10	SK11E	- RV10	- 56C
267	- 38	52	11	8.19	SK02	- RV10	- 56C
240	- 34	58	3.5	9.11	SK11E	- RV10	- 56C
236	- 34	59	10	9.28	SK02	- RV10	- 56C
220	- 31	64	9	9.95	SK02	- RV10	- 56C
194	- 28	72	8	11.27	SK02	- RV10	- 56C
171	- 24	81	8	12.82	SK02	- RV10	- 56C
137	- 20	102	6	15.95	SK02	- RV10	- 56C
106	- 15	131	5	20.59	SK02	- RV10	- 56C
90	- 13	156	5	24.39	SK02	- RV10	- 56C
74	- 11	189	4	29.61	SK02	- RV10	- 56C
65	- 9.3	213	4	33.42	SK02	- RV10	- 56C
53	- 7.5	265	3.1	41.58	SK02	- RV10	- 56C
41	- 5.8	342	2.0	53.68	SK02	- RV10	- 56C
32	- 4.6	435	3.3	68.40	SK13	- RV10	- 56C
26	- 3.7	544	2.4	85.47	SK13	- RV10	- 56C
20	- 2.9	693	1.9	108.72	SK13	- RV10	- 56C
17	- 2.4	844	1.6	132.45	SK13	- RV10	- 56C
14	- 2.0	1018	1.5	159.36	SK13	- RV10	- 56C
11	- 1.6	1248	1.2	195.78	SK13	- RV10	- 56C



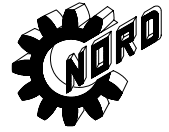
1/3 hp NORDISC® Gearmotors



Output Speed		Output Torque T_2 [lb-in]	Service Factor f_B	Ratio	Model Type
n_{21} [rpm]	n_{22} [rpm]				
1621	- 231	11	18	1.35	SK11E - RV10 - 56C
1421	- 203	13	17	1.54	SK11E - RV10 - 56C
1209	- 172	16	16	1.81	SK11E - RV10 - 56C
1073	- 153	18	16	2.04	SK11E - RV10 - 56C
943	- 134	20	15	2.32	SK11E - RV10 - 56C
773	- 110	24	15	2.83	SK11E - RV10 - 56C
742	- 106	26	15	2.95	SK02 - RV10 - 56C
688	- 98	27	13	3.18	SK11E - RV10 - 56C
647	- 92	29	14	3.38	SK02 - RV10 - 56C
608	- 87	31	12	3.60	SK11E - RV10 - 56C
562	- 80	34	14	3.89	SK02 - RV10 - 56C
518	- 74	36	12	4.22	SK02 - RV10 - 56C
454	- 65	42	12	4.82	SK02 - RV10 - 56C
393	- 56	48	11	5.57	SK02 - RV10 - 56C
359	- 51	52	9	6.10	SK02 - RV10 - 56C
318	- 45	59	9	6.89	SK02 - RV10 - 56C
281	- 40	67	8	7.80	SK02 - RV10 - 56C
270	- 39	70	3.8	8.10	SK11E - RV10 - 56C
267	- 38	70	8	8.19	SK02 - RV10 - 56C
240	- 34	78	2.6	9.11	SK11E - RV10 - 56C
236	- 34	80	7	9.28	SK02 - RV10 - 56C
220	- 31	86	7	9.95	SK02 - RV10 - 56C
194	- 28	97	6	11.27	SK02 - RV10 - 56C
171	- 24	110	6	12.82	SK02 - RV10 - 56C
137	- 20	137	5	15.95	SK02 - RV10 - 56C
106	- 15	177	3.7	20.59	SK02 - RV10 - 56C
88	- 13	210	3.8	24.39	SK02 - RV10 - 56C
74	- 10	254	3.2	29.61	SK02 - RV10 - 56C
65	- 9.3	287	3.0	33.42	SK02 - RV10 - 56C
53	- 7.5	357	2.3	41.58	SK02 - RV10 - 56C
41	- 5.8	461	1.5	53.68	SK02 - RV10 - 56C
32	- 4.6	587	2.5	68.40	SK13 - RV10 - 56C
26	- 3.7	734	1.8	85.47	SK13 - RV10 - 56C
20	- 2.9	929	1.4	108.72	SK13 - RV10 - 56C
17	- 2.4	1133	1.2	132.45	SK13 - RV10 - 56C
14	- 2.0	1372	1.1	159.36	SK13 - RV10 - 56C



1/2 hp NORDISC® Gearmotors



Output Speed		Output Torque T_2 [lb-in]	Service Factor f_B	Ratio	Model Type		
n_{21} [rpm]	n_{22} [rpm]						
1621	- 231	18	12	1.35	SK11E	- RV10	- 56C
1421	- 203	20	11	1.54	SK11E	- RV10	- 56C
1209	- 172	24	11	1.81	SK11E	- RV10	- 56C
1073	- 153	27	11	2.04	SK11E	- RV10	- 56C
943	- 134	30	10	2.32	SK11E	- RV10	- 56C
773	- 110	37	10	2.83	SK11E	- RV10	- 56C
742	- 106	38	10	2.95	SK02	- RV10	- 56C
688	- 96	42	8	3.18	SK11E	- RV10	- 56C
647	- 92	44	10	3.38	SK02	- RV10	- 56C
608	- 87	47	8	3.60	SK11E	- RV10	- 56C
562	- 80	50	9	3.89	SK02	- RV10	- 56C
518	- 74	55	8	4.22	SK02	- RV10	- 56C
454	- 65	63	8	4.82	SK02	- RV10	- 56C
393	- 56	73	7	5.57	SK02	- RV10	- 56C
359	- 51	80	6	6.10	SK02	- RV10	- 56C
318	- 45	89	6	6.89	SK02	- RV10	- 56C
281	- 40	102	6	7.80	SK02	- RV10	- 56C
270	- 39	105	2.5	8.10	SK11E	- RV10	- 56C
267	- 38	106	5	8.19	SK02	- RV10	- 56C
240	- 34	119	1.7	9.11	SK11E	- RV10	- 56C
236	- 34	120	5	9.28	SK02	- RV10	- 56C
220	- 31	129	4	9.95	SK02	- RV10	- 56C
194	- 28	147	4	11.27	SK02	- RV10	- 56C
171	- 24	166	4	12.82	SK02	- RV10	- 56C
137	- 20	207	3	15.95	SK02	- RV10	- 56C
106	- 15	268	2.4	20.59	SK02	- RV10	- 56C
90	- 13	318	2.5	24.39	SK02	- RV10	- 56C
74	- 10	385	2.1	29.61	SK02	- RV10	- 56C
65	- 9.3	435	2.0	33.42	SK02	- RV10	- 56C
53	- 7.5	541	1.5	41.58	SK02	- RV10	- 56C
41	- 5.8	681	1.0	53.68	SK02	- RV10	- 56C
41	- 5.8	700	1.9	53.84	SK12	- RV10	- 56C
32	- 4.6	894	1.6	68.40	SK13	- RV10	- 56C
26	- 4.6	1115	1.2	85.47	SK13	- RV10	- 56C
22	- 3.1	1310	1.9	100.60	SK23	- RV10	- 56C
18	- 2.5	1620	1.6	124.17	SK23	- RV10	- 56C
14	- 2.1	1974	1.3	151.44	SK23	- RV10	- 56C
12	- 1.7	2336	1.2	179.50	SK23	- RV10	- 56C



3/4 hp NORDISC® Gearmotors



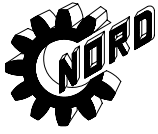
Output Speed		Output Torque T_2 [lb-in]	Service Factor f_B	Ratio	Model Type		
n_{21} [rpm]	n_{22} [rpm]						
1621	- 231	27	12	1.35	SK11E	- RV10	- 56C
1421	- 203	30	11	1.54	SK11E	- RV10	- 56C
1209	- 172	35	11	1.81	SK11E	- RV10	- 56C
1073	- 153	40	11	2.04	SK11E	- RV10	- 56C
943	- 134	45	10	2.32	SK11E	- RV10	- 56C
773	- 110	56	10	2.83	SK11E	- RV10	- 56C
742	- 106	58	7	2.95	SK02	- RV10	- 56C
688	- 96	62	6	3.18	SK11E	- RV10	- 56C
647	- 92	66	6	3.38	SK02	- RV10	- 56C
608	- 87	71	5	3.60	SK11E	- RV10	- 56C
562	- 80	76	6	3.89	SK02	- RV10	- 56C
518	- 74	82	5	4.22	SK02	- RV10	- 56C
454	- 65	95	5	4.82	SK02	- RV10	- 56C
393	- 56	109	5	5.57	SK02	- RV10	- 56C
359	- 51	119	4	6.10	SK02	- RV10	- 56C
318	- 45	135	4	6.89	SK02	- RV10	- 56C
281	- 40	152	3.7	7.80	SK02	- RV10	- 56C
270	- 39	158	2.5	8.10	SK11E	- RV10	- 56C
267	- 38	160	3.5	8.19	SK02	- RV10	- 56C
236	- 34	181	3.2	9.28	SK02	- RV10	- 56C
220	- 31	195	2.9	9.95	SK02	- RV10	- 56C
194	- 28	220	2.7	11.27	SK02	- RV10	- 56C
171	- 24	250	2.5	12.82	SK02	- RV10	- 56C
137	- 20	312	2.0	15.95	SK02	- RV10	- 56C
106	- 15	403	1.6	20.59	SK02	- RV10	- 56C
90	- 13	477	1.7	24.39	SK02	- RV10	- 56C
74	- 10	579	1.4	29.61	SK02	- RV10	- 56C
70	- 10	610	2.4	31.19	SK12	- RV10	- 56C
57	- 8.1	750	1.9	38.31	SK12	- RV10	- 56C
46	- 6.5	938	1.4	47.87	SK12	- RV10	- 56C
40	- 5.6	1080	2.3	55.28	SK22	- RV10	- 56C
34	- 4.8	1266	2.2	64.80	SK23	- RV10	- 56C
28	- 4.0	1522	1.7	78.05	SK23	- RV10	- 56C
25	- 3.5	1726	1.5	88.45	SK23	- RV10	- 56C
22	- 3.1	1965	1.3	100.60	SK23	- RV10	- 56C
16	- 2.3	2620	2.1	134.02	SK33	- RV10	- 56C
13	- 1.9	3257	1.5	166.49	SK33	- RV10	- 56C
11	- 1.5	4053	1.2	207.10	SK33	- RV10	- 56C



1 hp NORDISC® Gearmotors



Output Speed		Output Torque T_2 [lb-in]	Service Factor f_B	Ratio	Model Type		
n_{21} [rpm]	n_{22} [rpm]						
1621	- 231	35	6	1.35	SK11E	- RV20	- 56C
1421	- 203	40	6	1.54	SK11E	- RV20	- 56C
1209	- 172	47	6	1.81	SK11E	- RV20	- 56C
1073	- 153	53	5	2.04	SK11E	- RV20	- 56C
943	- 134	60	5	2.32	SK11E	- RV20	- 56C
773	- 110	73	5	2.83	SK11E	- RV20	- 56C
742	- 106	77	5	2.95	SK02	- RV20	- 56C
688	- 96	83	4	3.18	SK11E	- RV20	- 56C
608	- 87	94	4	3.60	SK11E	- RV20	- 56C
518	- 74	110	4	4.22	SK02	- RV20	- 56C
454	- 65	126	4	4.82	SK02	- RV20	- 56C
393	- 56	145	3.5	5.57	SK02	- RV20	- 56C
359	- 51	159	2.9	6.10	SK02	- RV20	- 56C
318	- 45	180	3.0	6.89	SK02	- RV20	- 56C
281	- 40	204	2.7	7.80	SK02	- RV20	- 56C
270	- 39	212	1.3	8.10	SK11E	- RV20	- 56C
267	- 38	214	2.6	8.19	SK02	- RV20	- 56C
236	- 34	242	2.4	9.28	SK02	- RV20	- 56C
220	- 31	260	2.2	9.95	SK02	- RV20	- 56C
194	- 28	294	2.0	11.27	SK02	- RV20	- 56C
171	- 24	335	1.9	12.82	SK02	- RV20	- 56C
137	- 20	417	1.5	15.95	SK02	- RV20	- 56C
106	- 15	537	1.2	20.59	SK02	- RV20	- 56C
90	- 13	637	1.2	24.39	SK02	- RV20	- 56C
74	- 10	773	1.1	29.61	SK02	- RV20	- 56C
70	- 10	814	1.8	31.19	SK12	- RV20	- 56C
57	- 8.1	1000	1.5	38.31	SK12	- RV20	- 56C
48	- 6.8	1195	2.2	45.90	SK22	- RV20	- 56C
46	- 6.5	1248	1.0	47.87	SK12	- RV20	- 56C
40	- 5.6	1443	1.7	55.28	SK22	- RV20	- 56C
34	- 4.8	1690	1.6	64.80	SK23	- RV20	- 56C
28	- 4.0	2036	1.2	78.05	SK23	- RV20	- 56C
25	- 3.5	2310	1.1	88.45	SK23	- RV20	- 56C
20	- 2.8	2929	1.7	112.18	SK33	- RV20	- 56C
16	- 2.3	3496	1.5	134.02	SK33	- RV20	- 56C
13	- 1.9	4345	1.1	166.49	SK33	- RV20	- 56C
10	- 1.4	5726	1.6	219.32	SK43	- RV20	- 56C



1.5 hp NORDISC® Gearmotors



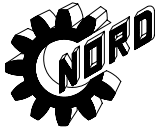
Output Speed		Output Torque T_2 [lb-in]	Service Factor f_B	Ratio	Model Type		
n_{21} [rpm]	n_{22} [rpm]						
1621	- 231	53	4	1.35	SK11E	- RV20	- 143TC
1421	- 203	60	3.9	1.54	SK11E	- RV20	- 143TC
1209	- 172	71	3.7	1.81	SK11E	- RV20	- 143TC
1073	- 153	80	3.6	2.04	SK11E	- RV20	- 143TC
943	- 134	91	3.4	2.32	SK11E	- RV20	- 143TC
773	- 110	111	3.2	2.83	SK11E	- RV20	- 143TC
742	- 106	115	3.4	2.95	SK02	- RV20	- 143TC
688	- 98	125	2.8	3.18	SK11E	- RV20	- 143TC
647	- 92	132	3.2	3.38	SK02	- RV20	- 143TC
608	- 87	141	2.6	3.60	SK11E	- RV20	- 143TC
562	- 80	152	3.1	3.89	SK02	- RV20	- 143TC
518	- 74	165	2.6	4.22	SK02	- RV20	- 143TC
454	- 65	189	2.7	4.82	SK02	- RV20	- 143TC
393	- 56	218	2.3	5.57	SK02	- RV20	- 143TC
359	- 51	239	1.9	6.10	SK02	- RV20	- 143TC
318	- 45	270	2.0	6.89	SK02	- RV20	- 143TC
281	- 40	305	1.8	7.80	SK02	- RV20	- 143TC
267	- 38	320	1.7	8.19	SK02	- RV20	- 143TC
236	- 34	363	1.6	9.28	SK02	- RV20	- 143TC
220	- 31	389	1.5	9.95	SK02	- RV20	- 143TC
194	- 28	441	1.3	11.27	SK02	- RV20	- 143TC
171	- 24	502	1.2	12.82	SK02	- RV20	- 143TC
163	- 23	524	2.5	13.39	SK12	- RV20	- 143TC
131	- 19	654	2.0	16.73	SK12	- RV20	- 143TC
116	- 17	735	1.8	18.79	SK12	- RV20	- 143TC
103	- 15	833	1.6	21.28	SK12	- RV20	- 143TC
84	- 12	1018	1.2	25.92	SK12	- RV20	- 143TC
70	- 10	1221	1.2	31.19	SK12	- RV20	- 143TC
62	- 8.8	1389	2.0	35.55	SK22	- RV20	- 143TC
51	- 7.3	1673	1.5	42.82	SK22	- RV20	- 143TC
48	- 6.8	1797	1.4	45.90	SK22	- RV20	- 143TC
40	- 5.6	2159	1.2	55.28	SK22	- RV20	- 143TC
34	- 4.8	2531	1.1	64.80	SK23	- RV20	- 143TC
30	- 4.3	2850	1.7	72.76	SK32	- RV20	- 143TC
27	- 3.8	3177	1.4	81.27	SK32	- RV20	- 143TC
25	- 3.5	3452	1.3	88.18	SK33	- RV20	- 143TC
20	- 2.8	4390	1.1	112.18	SK33	- RV20	- 143TC
17	- 2.4	5062	1.8	129.38	SK43	- RV20	- 143TC
15	- 2.2	5540	1.7	141.55	SK43	- RV20	- 143TC
12	- 1.7	7151	1.3	182.76	SK43	- RV20	- 143TC
10	- 1.4	8576	1.1	219.32	SK43	- RV20	- 143TC



2 hp NORDISC® Gearmotors



Output Speed		Output Torque T_2 [lb-in]	Service Factor f_B	Ratio	Model Type		
n_{21} [rpm]	n_{22} [rpm]						
1499	- 214	76	5	1.46	SK21E	- RV30	- 145TC
1183	- 169	96	5	1.85	SK21E	- RV30	- 145TC
1052	- 150	109	4	2.08	SK21E	- RV30	- 145TC
904	- 129	127	4	2.42	SK21E	- RV30	- 145TC
807	- 115	142	4	2.71	SK21E	- RV30	- 145TC
739	- 105	155	5	2.96	SK12	- RV30	- 145TC
708	- 101	161	3.4	3.09	SK21E	- RV30	- 145TC
645	- 92	177	5	3.39	SK12	- RV30	- 145TC
596	- 85	192	3.1	3.67	SK21E	- RV30	- 145TC
550	- 78	208	4	3.98	SK12	- RV30	- 145TC
506	- 72	226	4	4.32	SK12	- RV30	- 145TC
487	- 69	235	4	4.49	SK12	- RV30	- 145TC
444	- 63	258	3.9	4.93	SK12	- RV30	- 145TC
378	- 54	303	3.5	5.79	SK12	- RV30	- 145TC
342	- 49	335	1.7	6.40	SK21E	- RV30	- 145TC
335	- 48	341	3.2	6.53	SK12	- RV30	- 145TC
301	- 43	381	2.7	7.28	SK12	- RV30	- 145TC
277	- 39	412	1.3	7.90	SK21E	- RV30	- 145TC
256	- 36	447	2.4	8.56	SK12	- RV30	- 145TC
227	- 32	504	2.3	9.65	SK12	- RV30	- 145TC
204	- 29	558	2.1	10.70	SK12	- RV30	- 145TC
163	- 23	699	1.8	13.39	SK12	- RV30	- 145TC
131	- 19	873	1.5	16.73	SK12	- RV30	- 145TC
109	- 16	1044	2.4	20.03	SK22	- RV30	- 145TC
92	- 13	1239	2.2	23.74	SK22	- RV30	- 145TC
88	- 13	1292	1.7	24.73	SK22	- RV30	- 145TC
76	- 11	1505	1.8	28.80	SK22	- RV30	- 145TC
62	- 8.8	1859	1.5	35.55	SK22	- RV30	- 145TC
51	- 7.3	2239	1.1	42.82	SK22	- RV30	- 145TC
47	- 6.7	2416	2.1	48.25	SK32	- RV30	- 145TC
38	- 5.4	3000	1.7	57.53	SK32	- RV30	- 145TC
34	- 4.9	3354	1.4	64.26	SK32	- RV30	- 145TC
31	- 4.4	3664	2.4	70.12	SK43	- RV30	- 145TC
27	- 3.9	4177	2.1	79.96	SK43	- RV30	- 145TC
23	- 3.3	4956	1.8	94.96	SK43	- RV30	- 145TC
20	- 2.9	5611	1.6	107.51	SK43	- RV30	- 145TC
17	- 2.4	6753	1.3	129.38	SK43	- RV30	- 145TC
15	- 2.2	7390	1.2	141.55	SK43	- RV30	- 145TC
13	- 1.8	8868	1.1	169.86	SK43	- RV30	- 145TC
12	- 1.7	9700	1.5	185.72	SK53	- RV30	- 145TC



NORDISC® Gearmotors

3 hp



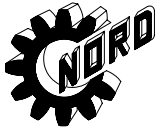
Output Speed		Output Torque T_2 [lb-in]	Service Factor f_B	Ratio	Model Type		
n_{21} [rpm]	n_{22} [rpm]						
1243	- 177	138	5	1.76	SK31E	- RV30	- 145TC
1052	- 150	163	4	2.08	SK31E	- RV30	- 145TC
848	- 121	202	4	2.58	SK31E	- RV30	- 145TC
784	- 112	219	5	2.79	SK22	- RV30	- 145TC
661	- 94	259	3.6	3.31	SK31E	- RV30	- 145TC
620	- 88	276	4	3.53	SK22	- RV30	- 145TC
596	- 85	287	3.4	3.67	SK31E	- RV30	- 145TC
620	- 88	276	4	3.97	SK22	- RV30	- 145TC
551	- 79	311	4	4.62	SK22	- RV30	- 145TC
474	- 68	361	3.7	5.18	SK22	- RV30	- 145TC
422	- 60	405	3.5	5.79	SK22	- RV30	- 145TC
378	- 54	453	4	6.51	SK22	- RV30	- 145TC
336	- 48	509	4	7.57	SK22	- RV30	- 145TC
267	- 41	642	1.4	8.20	SK31E	- RV30	- 145TC
258	- 37	664	3.5	8.49	SK22	- RV30	- 145TC
201	- 29	852	3.2	10.89	SK22	- RV30	- 145TC
179	- 26	956	2.9	12.20	SK22	- RV30	- 145TC
149	- 21	1151	2.2	14.69	SK22	- RV30	- 145TC
109	- 16	1566	1.6	20.03	SK22	- RV30	- 145TC
92	- 13	1859	1.4	23.74	SK22	- RV30	- 145TC
76	- 11	2257	1.2	28.80	SK22	- RV30	- 145TC
70	- 10	2934	1.9	31.16	SK32	- RV30	- 145TC
59	- 8.4	2912	1.8	37.23	SK32	- RV30	- 145TC
47	- 6.7	3620	1.4	46.25	SK32	- RV30	- 145TC
43	- 6.1	3991	1.9	50.98	SK42	- RV30	- 145TC
38	- 5.4	4558	2.1	58.27	SK43	- RV30	- 145TC
33	- 4.8	5115	2.8	65.35	SK53	- RV30	- 145TC
27	- 3.9	6230	2.4	79.69	SK53	- RV30	- 145TC
23	- 3.3	7469	2.3	95.49	SK53	- RV30	- 145TC
21	- 2.9	8284	2.1	105.87	SK53	- RV30	- 145TC
15	- 2.1	11399	2.9	145.71	SK63	- RV30	- 145TC
12	- 1.7	14125	2.3	180.57	SK63	- RV30	- 145TC



5 hp NORDISC® Gearmotors



Output Speed		Output Torque T_2 [lb-in]	Service Factor f_B	Ratio	Model Type		
n_{21} [rpm]	n_{22} [rpm]						
1243	- 249	229	3.1	1.76	SK31E	- RV40	- 184TC
1052	- 211	271	2.9	2.08	SK31E	- RV40	- 184TC
848	- 170	335	2.6	2.58	SK31E	- RV40	- 184TC
784	- 157	363	3	2.79	SK22	- RV40	- 184TC
661	- 132	431	2.2	3.31	SK31E	- RV40	- 184TC
620	- 124	459	3	3.53	SK22	- RV40	- 184TC
596	- 119	477	2.0	3.67	SK31E	- RV40	- 184TC
583	- 117	488	3.1	3.75	SK32	- RV40	- 184TC
551	- 110	517	2	3.97	SK22	- RV40	- 184TC
494	- 99	576	2.9	4.43	SK32	- RV40	- 184TC
474	- 95	601	2	4.62	SK22	- RV40	- 184TC
463	- 93	639	1.4	4.83	SK31E	- RV40	- 184TC
422	- 84	673	2.1	5.18	SK22	- RV40	- 184TC
398	- 80	715	2.6	5.50	SK32	- RV40	- 184TC
384	- 77	742	3.1	5.70	SK32	- RV40	- 184TC
378	- 76	753	2.5	5.79	SK22	- RV40	- 184TC
336	- 67	847	2	6.51	SK22	- RV40	- 184TC
325	- 65	877	2.9	6.74	SK32	- RV40	- 184TC
319	- 64	894	2.5	6.86	SK22	- RV40	- 184TC
310	- 62	920	2.3	7.05	SK32	- RV40	- 184TC
289	- 58	982	2	7.57	SK22	- RV40	- 184TC
277	- 55	1027	2.9	7.90	SK32	- RV40	- 184TC
267	- 53	929	1.0	8.20	SK31E	- RV40	- 184TC
262	- 52	1089	2.6	8.36	SK32	- RV40	- 184TC
258	- 52	1106	2.1	8.49	SK22	- RV40	- 184TC
223	- 45	1274	2.6	9.80	SK32	- RV40	- 184TC
201	- 40	1416	1.9	10.89	SK22	- RV40	- 184TC
187	- 37	1522	2.6	11.71	SK32	- RV40	- 184TC
179	- 36	1584	1.7	12.20	SK22	- RV40	- 184TC
150	- 30	1894	2.6	14.55	SK32	- RV40	- 184TC
149	- 30	1912	1.3	14.69	SK22	- RV40	- 184TC
146	- 29	1956	2.3	15.03	SK32	- RV40	- 184TC
135	- 27	2115	2.1	16.25	SK32	- RV40	- 184TC
117	- 23	2425	2.0	18.27	SK32	- RV40	- 184TC
106	- 21	2690	1.8	20.70	SK32	- RV40	- 184TC
95	- 19	3009	1.5	23.12	SK32	- RV40	- 184TC
82	- 16	3460	1.1	26.57	SK32	- RV40	- 184TC
75	- 15	3814	2.4	29.29	SK42	- RV40	- 184TC
70	- 14	4053	1.1	31.16	SK32	- RV40	- 184TC
62	- 12	4584	1.9	35.25	SK42	- RV40	- 184TC
59	- 12	4841	1.1	37.23	SK32	- RV40	- 184TC
53	- 11	5372	1.5	41.29	SK42	- RV40	- 184TC
45	- 9	6363	2.2	48.90	SK52	- RV40	- 184TC
43	- 9	6629	1.1	50.98	SK42	- RV40	- 184TC
41	- 8	7000	2.0	53.81	SK52	- RV40	- 184TC
37	- 7	7744	1.8	59.54	SK52	- RV40	- 184TC
33	- 7	8505	1.7	65.35	SK53	- RV40	- 184TC
27	- 5	10363	1.4	49.69	SK53	- RV40	- 184TC



5 hp NORDISC® Gearmotors



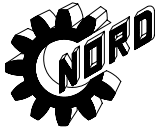
Output Speed		Output Torque T_2 [lb-in]	Service Factor f_B	Ratio	Model Type		
n_{21} [rpm]	n_{22} [rpm]						
23	- 5	12425	1.4	95.49	SK53	- RV40	- 184TC
21	- 4	13771	1.3	105.87	SK53	- RV40	- 184TC
20	- 4	14036	2.4	106.95	SK63	- RV40	- 184TC
17	- 3	17240	1.9	132.95	SK63	- RV40	- 184TC
15	- 3	18957	1.7	145.71	SK63	- RV40	- 184TC
12	- 2	23488	1.4	180.57	SK63	- RV40	- 184TC



7.5 hp NORDISC® Gearmotors



Output Speed		Output Torque T_2 [lb-in]	Service Factor f_B	Ratio	Model Type		
n_{21} [rpm]	n_{22} [rpm]						
1243	- 249	344	2.1	1.76	SK31E	- RV40	- 213TC
1052	- 211	407	1.9	2.08	SK31E	- RV40	- 213TC
848	- 170	504	1.7	2.58	SK31E	- RV40	- 213TC
784	- 157	546	1.9	2.79	SK22	- RV40	- 213TC
661	- 132	648	1.4	3.31	SK31E	- RV40	- 213TC
620	- 124	690	1.7	3.53	SK22	- RV40	- 213TC
596	- 119	718	1.4	3.67	SK31E	- RV40	- 213TC
583	- 117	734	2.1	3.75	SK32	- RV40	- 213TC
562	- 113	761	2.4	3.89	SK42	- RV40	- 213TC
494	- 99	866	1.9	4.43	SK32	- RV40	- 213TC
478	- 96	894	2.3	4.58	SK42	- RV40	- 213TC
409	- 82	1044	2.1	5.35	SK42	- RV40	- 213TC
398	- 80	1080	1.7	5.50	SK32	- RV40	- 213TC
384	- 77	1115	2.1	5.70	SK32	- RV40	- 213TC
378	- 76	1133	1.7	5.79	SK22	- RV40	- 213TC
353	- 71	1212	2.4	6.19	SK42	- RV40	- 213TC
336	- 67	1274	1.6	6.51	SK22	- RV40	- 213TC
325	- 65	1319	1.9	6.74	SK32	- RV40	- 213TC
319	- 64	1345	1.7	6.86	SK22	- RV40	- 213TC
310	- 62	1381	1.5	7.05	SK32	- RV40	- 213TC
301	- 60	1425	2.3	7.28	SK42	- RV40	- 213TC
289	- 58	1478	1.5	7.57	SK22	- RV40	- 213TC
277	- 55	1549	1.9	7.90	SK32	- RV40	- 213TC
258	- 52	1655	1.4	8.48	SK22	- RV40	- 213TC
257	- 52	1664	2.1	8.50	SK42	- RV40	- 213TC
223	- 45	1920	1.7	9.80	SK32	- RV40	- 213TC
215	- 43	1991	2.1	10.20	SK42	- RV40	- 213TC
201	- 40	2133	1.3	10.89	SK22	- RV40	- 213TC
187	- 37	2292	1.7	11.71	SK32	- RV40	- 213TC
179	- 36	2390	1.2	12.20	SK22	- RV40	- 213TC
178	- 36	2398	2.1	12.28	SK42	- RV40	- 213TC
152	- 30	2814	2.1	14.38	SK42	- RV40	- 213TC
150	- 30	2850	1.7	14.55	SK32	- RV40	- 213TC
146	- 29	2938	1.5	15.03	SK32	- RV40	- 213TC
135	- 27	3177	1.4	16.25	SK32	- RV40	- 213TC
122	- 24	3505	2.5	17.92	SK42	- RV40	- 213TC
117	- 23	3655	1.4	18.67	SK32	- RV40	- 213TC
106	- 21	4044	1.2	20.70	SK32	- RV40	- 213TC
102	- 20	4204	2.2	21.50	SK42	- RV40	- 213TC
89	- 18	4823	1.6	24.67	SK42	- RV40	- 213TC
85	- 17	5062	1.8	25.88	SK42	- RV40	- 213TC
75	- 15	5726	1.6	29.29	SK42	- RV40	- 213TC
68	- 14	9089	1.4	32.09	SK52	- RV40	- 213TC
62	- 12	6894	1.3	35.25	SK42	- RV40	- 213TC
57	- 11	7523	2.0	38.45	SK52	- RV40	- 213TC
54	- 11	7894	1.8	40.37	SK52	- RV40	- 213TC
45	- 9	9567	1.5	48.90	SK52	- RV40	- 213TC
43	- 8.6	9921	2.1	50.73	SK63	- RV40	- 213TC



7.5 hp NORDISC® Gearmotors

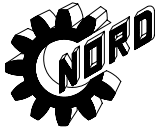


Output Speed		Output Torque T_2 [lb-in]	Service Factor f_B	Ratio	Model Type		
n_{21} [rpm]	n_{22} [rpm]						
41	- 8.1	10523	1.3	53.81	SK52	- RV40	- 213TC
37	- 7.4	11647	1.2	59.54	SK52	- RV40	- 213TC
35	- 7.0	12293	2.1	62.87	SK63	- RV40	- 213TC
28	- 5.7	15151	1.9	77.46	SK63	- RV40	- 213TC
25	- 5.0	17027	1.6	87.06	SK63	- RV40	- 213TC
20	- 4.1	21098	1.5	107.89	SK63	- RV40	- 213TC
17	- 3.3	25922	1.3	132.54	SK63	- RV40	- 213TC
15	- 3.0	28497	1.1	145.71	SK63	- RV40	- 213TC



Notes

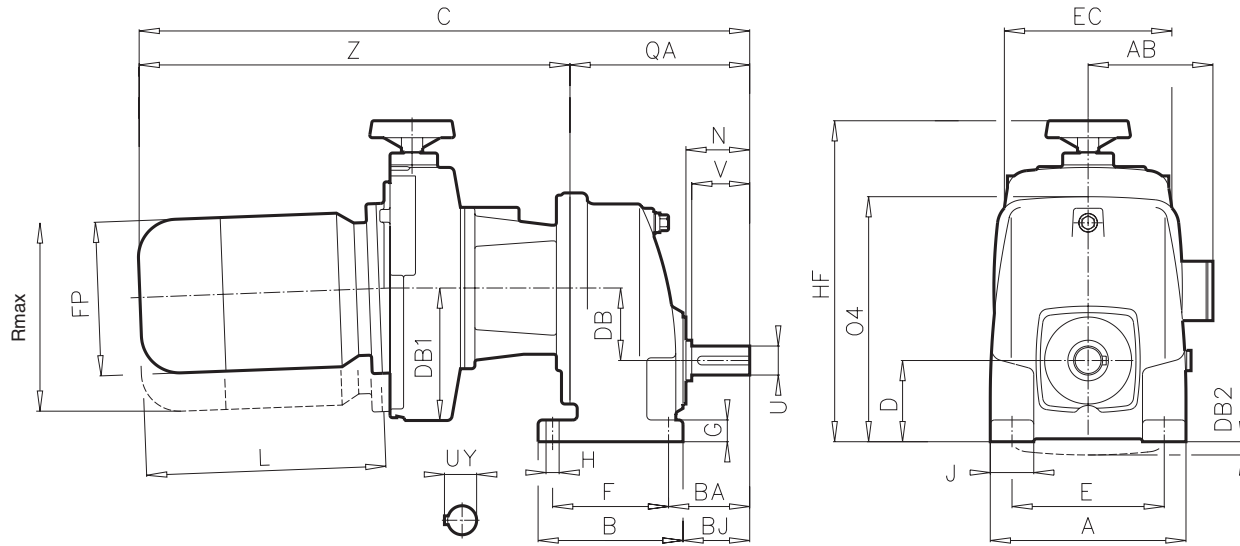




NORDISC® Gearmotors Dimensions



NORDISC® - Foot Mounted Gearmotor Single-stage

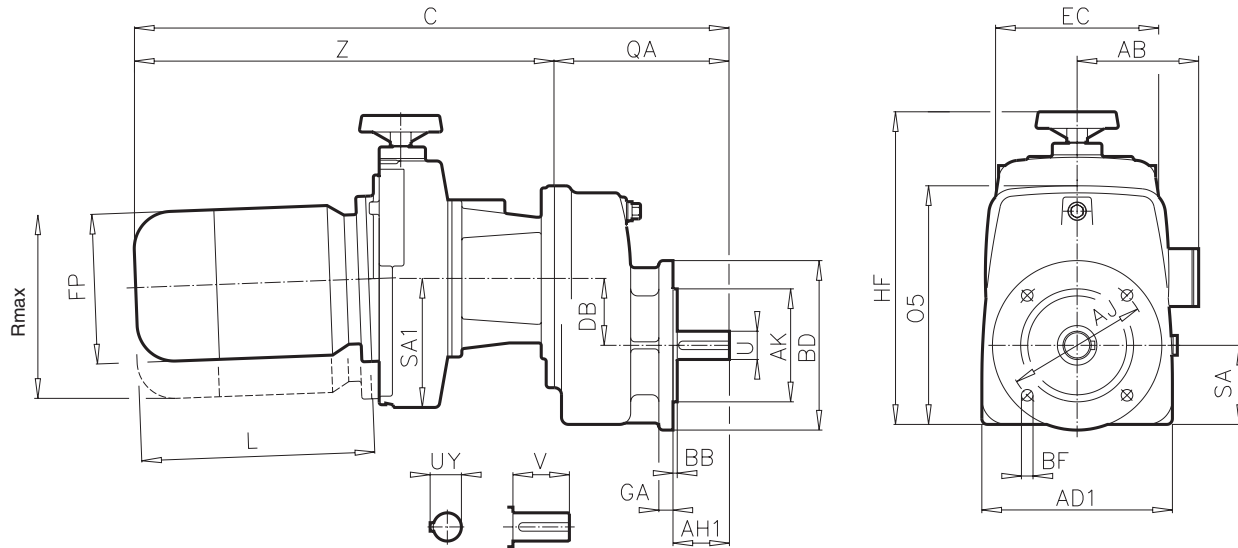


Type	Mounting dimensions				Outline dimensions											Motor			Shaft dimensions			
	A	E	G	J	BA	C	D	DB1	DB2	EC	HF	N	O4	QA	Rmax	Z	AB	FP	L	U	UY	V
	B	F	H		BJ		DB															Key
SK 11E - RV10 - 56 C - RV20 - 56 C - 143 TC	5.32	4.13	0.59	1.18	2.13	20.80	2.20	3.62	0	4.72	9.76	1.65	6.65	4.85	1.38	15.95	5.30	7.20	9.30	0.750	0.83	1.50
	3.94	3.15	0.35		1.74	22.62	1.97	4.57	0.4	6.10	10.47				1.93	17.77	5.30	7.20	9.30			
SK 21E - RV30 - 145 TC	7.28	6.30	0.71	1.18	2.76	26.55	2.80	6.14	0.94	8.27	12.96	2.31	9.13	6.15	2.80	20.40	5.30	7.20	11.30	1.000	1.11	2.13
	5.51	4.53	0.43		2.27		2.40															1/4 x 1/4 x 1-5/8
SK 31E - RV30 - 145 TC - RV40 - 184 TC - 213 TC	8.27	6.89	0.79	1.38	3.50	28.11	3.35	6.14	0	8.27	14.10	2.98	10.35	7.71	2.80	20.40	5.30	7.20	11.30	1.250	1.36	2.75
	6.50	5.31	0.51		2.91	33.16	2.99	8.03	1.69	10.63	15.87				3.66	25.45	5.90	8.50	14.00			
							34.76									27.05	7.40	10.30	15.60			

Dimensions subject to change without notice



NORDISC® - Flange Mounted Gearmotor Single-stage

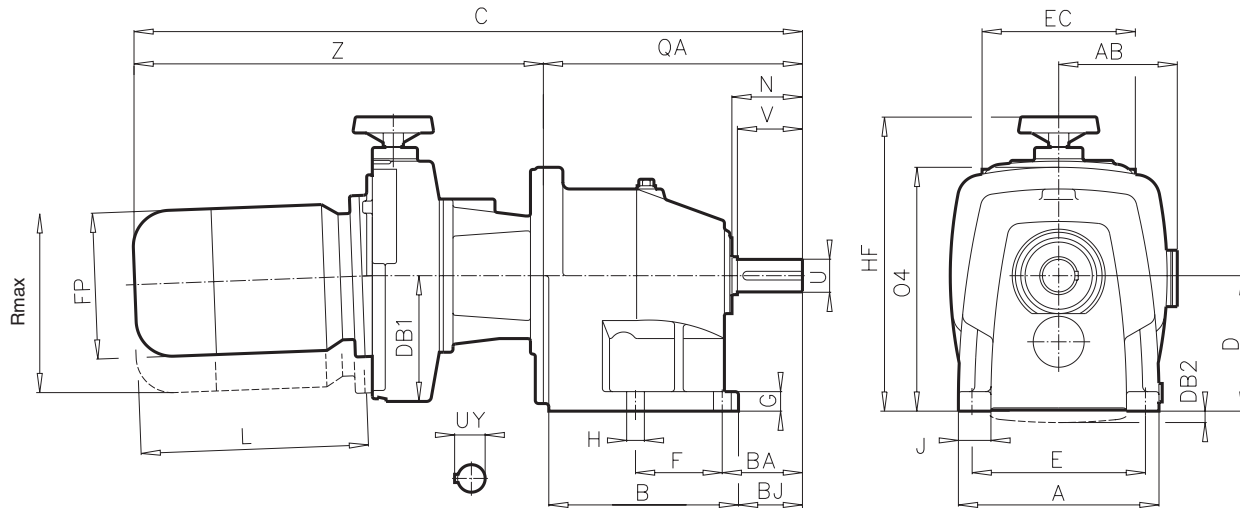


Type	Mounting dimensions			Outline dimensions										Motor			Shaft dimensions			
	AJ	BB	BF	AD1	C	DB	EC	HF	O5	QA	Rmax	SA	SA1	Z	AB	FP	L	U	UY	V
	AK	BD	GA	AH1														Key		
SK 11EF - RV10 - 56 C - RV20 - 56 C - 143 TC	4.53	0.12	0.35	5.31	20.80	1.97	4.72	9.76	6.65	4.85	1.38	2.20	3.62	15.95	5.30	7.20	9.30	0.750	0.83	1.50
	3.740	5.51	0.39	1.50	22.62		6.10	10.47			1.93		4.57	17.77	5.30	7.20	9.30			
					23.62									18.77	5.30	7.20	10.30			3/16 x 3/16 x 1
SK 21EF - RV30 - 145 TC	5.12	0.14	0.35	7.28	26.55	2.40	8.27	12.76	8.94	6.15	2.80	2.60	6.14	20.40	5.30	7.20	11.30	1.000	1.11	2.13
	4.331	6.30	0.39	2.13														1/4 x 1/4 x 1-5/8		
SK 31EF - RV30 - 145 TC - RV40 - 184 TC - 213 TC	6.50	0.14	0.43	8.27	28.11	2.99	8.27	13.98	10.24	7.71	3.66	3.23	8.03	20.40	5.30	7.20	11.30	1.250	1.36	2.75
	5.118	7.87	0.47	2.75	33.16		10.63	15.75					8.03	25.45	5.90	8.50	14.00			
					34.76									27.05	7.40	10.30	15.60			1/4 x 1/4 x 2-1/4

ADDITIONAL FLANGE SIZES AVAILABLE						
SIZE	AJ	AK	BB	BD	BF	GA
SK 11 EF ..	3.94	3.150	0.12	4.72	0.28	0.39
SK 12 EF ..	4.53	3.740	0.12	5.51	0.35	0.39

Dimensions subject to change without notice

NORDISC® - Foot Mounted Gearmotor Two-stage

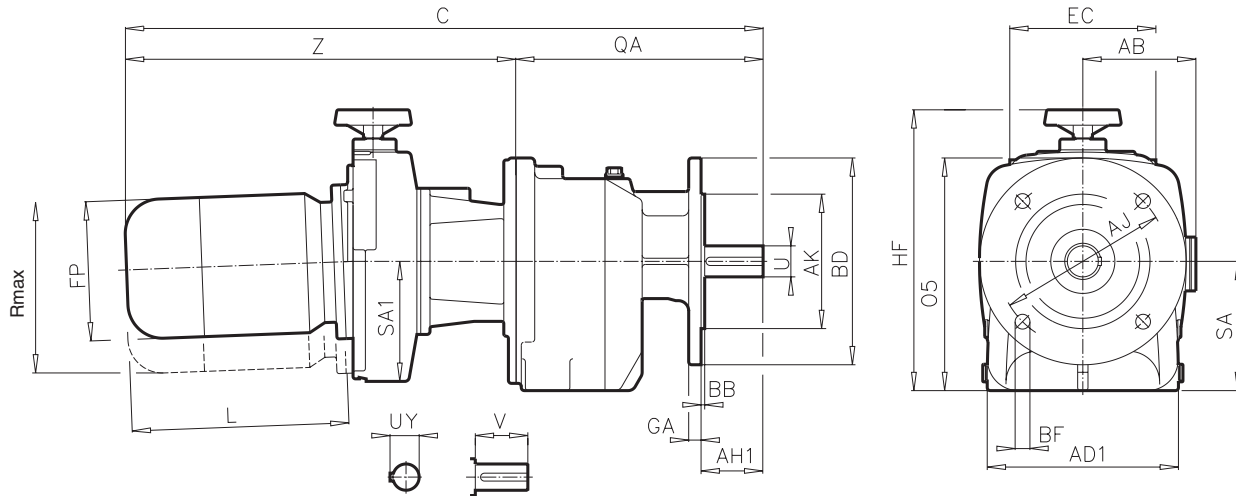


Type	Mounting dimensions				Outline dimensions													Motor			Shaft dimensions		
	A	E	G	J	BA	C	D	DB1	DB2	EC	HF	N	O4	QA	Rmax	Z	AB	FP	L	U	UY	V	
SK 02 - RV10 - 56 C	5.12	4.33	0.47	0.98	1.97	23.04	3.39	3.62	0.23	4.72	8.98	1.62	6.02	7.09	1.38	15.95	5.30	7.20	9.30	0.750	0.83	1.50	
					1.58	24.86		4.57	1.18	6.10	9.69					1.93	17.77	5.30	7.20	9.30	3/16 x 3/16 x 1		
- 143 TC	5.28	2.36	0.35			25.86									18.77	5.30	7.20	10.30					
SK 12 - RV10 - 56 C	5.31	4.13	0.59	1.19	3.23	24.18	4.02	3.62	0	4.72	9.61	2.28	6.69	8.23	1.38	15.95	5.30	7.20	9.30	1.000	1.11	2.13	
					2.52	26.00		4.57	0.55	6.10	10.32					1.93	17.77	5.30	7.20	9.30			
- RV20 - 56 C	5.47	2.44	0.35			27.00									18.77	5.30	7.20	10.30					
- 143 TC																							
- RV30 - 145 TC					28.87			6.14	2.12	8.27	11.78				2.80	20.64	5.30	7.20	11.30				1/4 x 1/4 x 1-5/8
SK 22 - RV20 - 56 C	7.28	6.30	0.71	1.38	3.30	27.33	4.92	4.57	0	6.10	11.22	2.95	8.86	9.80	1.93	17.53	5.30	7.20	9.30	1.250	1.36	2.75	
						28.33										18.53	5.30	7.20	10.30				
- RV30 - 145 TC	6.89	3.15	0.43			30.20		6.14	1.72	8.27	12.68				2.80	20.40	5.30	7.20	11.30				
- RV40 - 184 TC					2.71	35.25		8.03	3.11	10.63	14.45				3.66	25.45	5.90	8.50	14.00				
- 213 TC						36.85									27.05	7.40	10.30	15.60				1/4 x 1/4 x 2-1/4	
SK 32 - RV20 - 56 C	8.27	7.28	0.79	1.57	3.88	29.40	6.10	4.57	0	6.10	12.40	3.49	10.16	11.87	1.93	17.53	5.30	7.20	9.30	1.625	1.79	3.25	
						30.40										18.53	5.30	7.20	10.30				
- RV30 - 145 TC	8.43	4.72	0.51			32.27		6.14	0.04	8.27	13.86				2.80	20.40	5.30	7.20	11.30				
- RV40 - 184 TC					3.21	37.32		8.03	1.93	10.63	15.63				3.66	25.45	5.90	8.50	14.00				
- 213 TC						38.92									27.05	7.40	10.30	15.60				3/8 x 3/8 x 2-1/2	
SK 42 - RV30 - 145 TC	8.46	6.89	0.98	1.57	5.08	34.18	6.89	6.14	0	8.27	14.65	3.74	11.81	13.78	2.80	20.40	5.30	7.20	11.30	1.875	2.09	3.50	
						29.25		8.03	1.14	10.63	16.42				3.66	25.45	5.90	8.50	14.00				
- RV40 - 184 TC					4.13	40.83									27.05	7.40	10.30	15.60					
- 213 TC																							
SK 52 - RV30 - 145 TC	10.24	8.66	1.38	1.77	5.18	36.21	8.35	6.14	0	8.27	16.11	4.24	13.27	15.81	2.80	20.40	5.30	7.20	11.30	2.250	2.47	4.00	
						41.26		8.03	0	10.63	17.88				3.66	25.45	5.90	8.50	14.00				
- RV40 - 184 TC					4.39	42.86									27.05	7.40	10.30	15.60					
- 213 TC																							1/2 x 1/2 x 3-1/4

Dimensions subject to change without notice



NORDISC® - Flange Mounted Gearmotor Two-stage



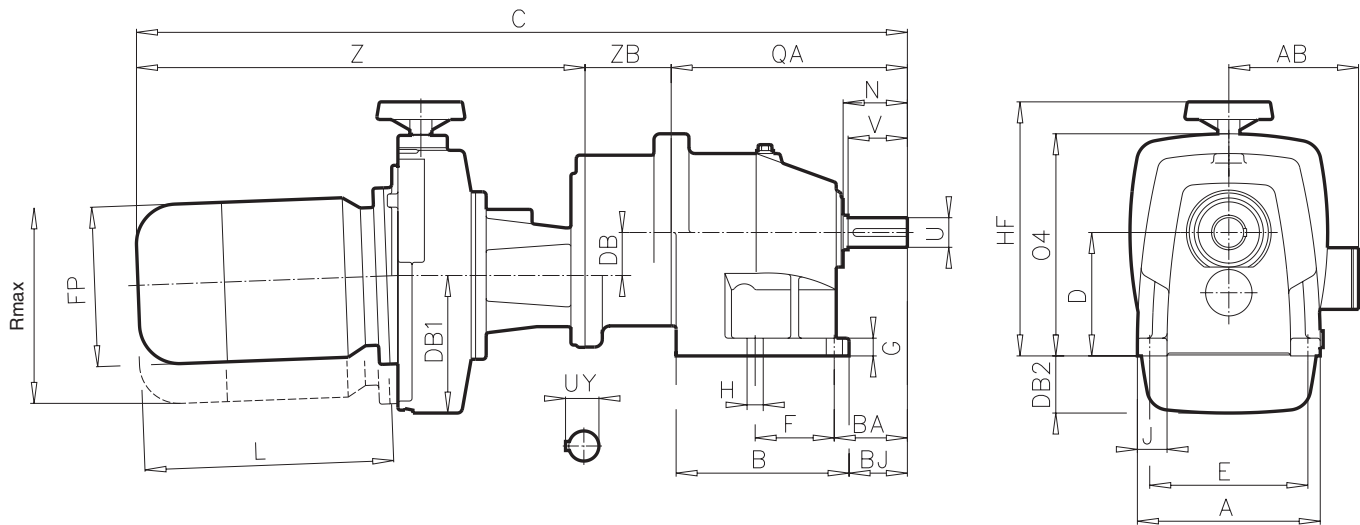
Type	Mounting dimensions			Outline dimensions									Motor			Shaft dimensions			
	AJ	BB	BF	AD1	C	EC	HF	O5	QA	Rmax	SA	SA1	Z	AB	FP	L	U	UY	V
	AK	BD	GA	AH1	Key														
SK 02 F - RV10 - 53 C - RV20 - 56 C - 143 TC	5.12	0.14	0.35	5.12	23.04	4.72	9.09	6.14	7.09	1.38	3.50	3.62	15.95	5.30	7.20	9.30	0.750	0.83	1.50
	4.331	6.30	0.39	1.50	24.86	6.10	9.80			1.93		4.57	17.77	5.30	7.20	9.30	3/16 x 3/16 x 1		
SK 12 F - RV10 - 56 C - RV20 - 56 C - 143 TC - RV30 - 145 TC	5.12	0.14	0.35	5.32	24.18	4.72	9.76	6.85	8.23	1.38	4.17	3.62	15.95	5.30	7.20	9.30	1.000	1.11	2.13
					26.00	6.10	10.47			1.93		4.57	17.77	5.30	7.20	9.30			
	4.331	6.30	0.39	2.13	27.00							18.77	5.30	7.20	10.30				
SK 22 F - RV20 - 56 C - 143 TC - RV30 - 145 TC - RV40 - 184 TC - 213 TC	6.50	0.14	0.43	7.28	27.33	6.10	11.22	8.86	9.80	1.93	4.92	4.57	17.53	5.30	7.20	9.30	1.250	1.36	2.75
					28.33							18.53	5.30	7.20	10.30				
					30.20	8.27	12.68			2.80		6.14	20.40	5.30	7.20	11.30	1/4 x 1/4 x 1-5/8		
	5.118	7.87	0.47	2.75	35.25	10.63	14.45			3.66		8.03	25.45	5.90	8.50	14.00			
SK 32 F - RV20 - 56 C - 143 TC - RV30 - 145 TC - RV40 - 184 TC - 213 TC	8.46	0.16	0.55	8.27	29.40	6.10	12.40	10.16	11.87	1.93	6.10	4.57	17.53	5.30	7.20	9.30	1.625	1.79	3.25
					30.40							18.53	5.30	7.20	11.30				
					32.27	8.27	13.86			2.80		6.14	20.40	5.30	7.20	11.30			
	7.087	9.84	0.63	3.25	37.32	10.63	15.63			3.66		8.03	25.45	5.90	8.50	14.00			
SK 42 F - RV30 - 145 TC - RV40 - 184 TC - 213 TC	8.46	0.16	0.55	8.47	34.18	8.27	14.65	11.81	13.78	2.80	6.89	6.14	20.40	5.30	7.20	11.30	1.875	2.09	3.50
					39.25	10.63	16.42			3.66		8.03	25.45	5.90	8.50	14.00			
	7.087	9.84	0.63	3.50	40.83							27.05	7.40	10.30	15.60	1/2 x 1/2 x 2-3/4			
SK 52 F - RV30 - 145 TC - RV40 - 184 TC - 213 TC	10.43	0.16	0.55	10.24	36.21	8.27	16.11	13.27	15.81	2.80	8.35	6.14	20.40	5.30	7.20	11.30	2.250	2.47	4.00
					41.26	10.63	17.88			3.66		8.03	25.45	5.90	8.50	14.00			
	9.055	11.81	0.79	4.00	42.86							27.05	7.40	10.30	15.60	1/2 x 1/2 x 3-1/4			

ADDITIONAL FLANGE SIZES AVAILABLE						
SIZE	AJ	AK	BB	BD	BF	GA
SK 02 F ..	3.94 / 4.53	3.150 / 3.740	0.12 / 0.12	4.72 / 5.51	0.28 / 0.35	0.39 / 0.39
SK 12 F ..	3.94 / 4.53	3.150 / 3.740	0.12 / 0.12	4.72 / 5.51	0.28 / 0.35	0.39 / 0.39
SK 22 F ..	5.12	4.331	0.14	6.30	0.35	0.39
SK 32 F ..	6.50	5.118	0.14	7.87	0.43	0.47
SK 42 F ..	6.50	5.118	0.14	7.87	0.43	0.55
SK 52 F ..	8.46	7.087	0.16	9.84	0.55	0.63

Dimensions subject to change without notice



NORDISC® - Foot Mounted Gearmotor Three-stage

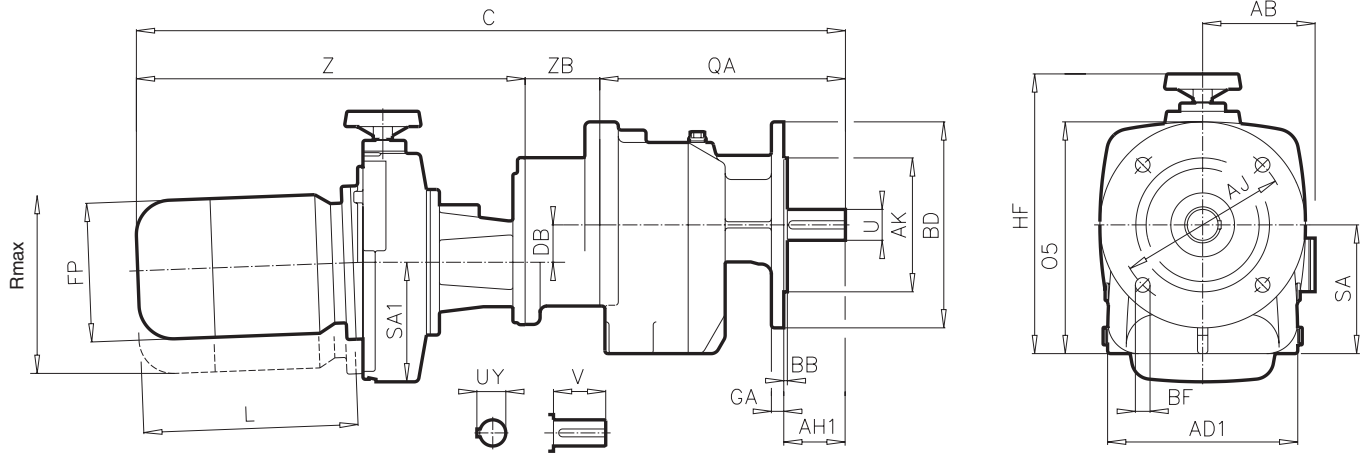


Type	Mounting dimensions				Outline dimensions											Motor			Shaft dimensions			
	A	E	G	J	BA	C	D	DB1	DB2	HF	N	O4	QA	Rmax	Z	ZB	AB	FP	L	U	UY	V
	B	F	H		BJ	DB														Key		
SK 13 - RV10 - 56 C	5.31	4.13	0.59	1.19	3.23	26.46	4.02	3.62	0.78	8.43	2.28	6.69	8.23	1.38	15.95	2.28	5.30	7.20	9.30	1.000	1.11	2.13
	5.47	2.44	0.35		2.52		1.18															1/4 x 1/4 x 1-5/8
SK 23 - RV10 - 56 C	7.28	6.30	0.71	1.38	3.30	28.11	4.92	3.62	0.37	8.84	2.95	8.86	9.80	1.38	15.95	2.36	5.30	7.20	9.30	1.250	1.36	2.75
						29.93		4.57	1.32	9.55				1.93	17.77		5.30	7.20	9.30			
- RV20 - 56 C	6.89	3.15	0.43		2.71	30.93	1.67							18.77			5.30	7.20	10.30			1/4 x 1/4 x 2-1/4
- 143 TC																						
SK 33 - RV10 - 56 C	8.27	7.28	0.79	1.57	3.88	30.18	6.10	3.62	0	9.72	3.49	10.16	11.87	1.38	15.95	2.36	5.30	7.20	9.30	1.625	1.79	3.25
						32.00		4.57	0.44	10.43				1.93	17.77		5.30	7.20	9.30			
- RV20 - 56 C	8.43	4.72	0.51		3.21	33.00	1.97							18.77			5.30	7.20	10.30			3/8 x 3/8 x 2-1/2
- 143 TC																						
SK 43 - RV20 - 56 C	8.46	6.89	0.98	1.57	5.08	34.03	6.89	4.57	0.08	10.79	3.74	11.81	13.78	1.93	17.53	2.72	5.30	7.20	9.30	1.875	2.09	3.50
						35.03								18.53			5.30	7.20	10.30			
- RV30 - 145 TC	9.41	4.72	0.51		4.13	36.90	2.40	6.14	1.65	12.25				2.80	20.40		5.30	7.20	11.30			1/2 x 1/2 x 2-3/4
SK 53 - RV20 - 56 C	10.24	8.66	1.38	1.77	5.18	36.06	8.35	4.57	0	11.66	4.24	13.27	15.81	1.93	17.53	2.72	5.30	7.20	9.30	2.250	2.47	4.00
						37.06								18.53			5.30	7.20	10.30			
- RV30 - 145 TC	11.14	5.91	0.71		4.39	38.93	2.99	6.14	0.78	13.12				2.80	20.40		5.30	7.20	11.30			
- RV40 - 184 TC					43.98			8.03	2.67	14.89				3.66	25.45		5.30	8.50	14.00			1/2 x 1/2 x 3-1/4

Dimensions subject to change without notice



NORDISC® - Flange Mounted Gearmotor Three-stage

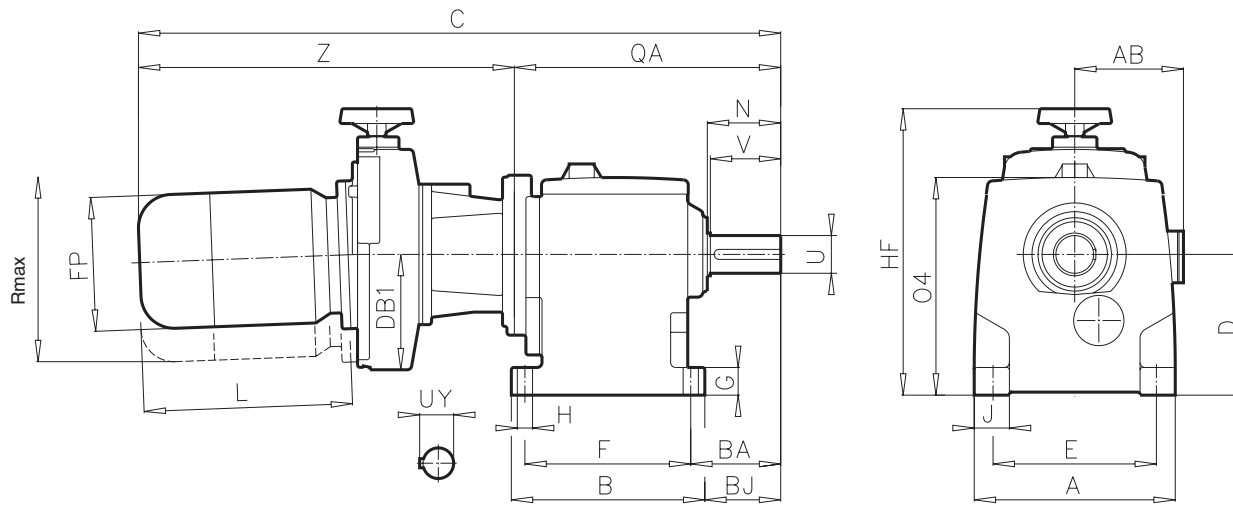


Type	Mounting dimensions			Outline dimensions										Motor			Shaft dimensions			
	AJ	BB	BF	AD1	C	DB	HF	O5	QA	Rmax	SA	SA1	Z	ZB	AB	FP	L	U	UY	V
	AK	BD	GA	AH1	Key															
SK 13 F - RV10 - 56 C	5.12	0.14	0.35	3.23	26.46	1.18	8.03	6.85	8.23	1.38	4.17	3.62	15.94	2.28	5.30	7.20	9.30	1.000	1.11	2.13
	4.331	6.30	0.39	2.52	1/4 x 1/4 x 1-5/8															
SK 23 F - RV10 - 56 C	6.50	0.14	0.43	3.30	28.11	1.67	8.84	8.86	9.80	1.38	4.92	3.62	15.95	2.36	5.30	7.20	9.30	1.250	1.36	2.75
					29.93		9.55			1.93		4.57	17.77		5.30	7.20	9.30	1/4 x 1/4 x 2-1/4		
- RV20 - 56 C					30.93							18.77		5.30	7.20	10.30				
- 143 TC	5.118	7.87	0.47	2.71	30.93							18.77		5.30	7.20	10.30				
SK 33 F - RV10 - 56 C	8.46	0.16	0.55	3.88	30.18	1.97	9.72	10.16	11.87	1.38	6.10	3.62	15.95	2.36	5.30	7.20	9.30	1.625	1.79	3.25
					32.00		10.43			1.93		4.57	17.77		5.30	7.20	9.30	3/8 x 3/8 x 2-1/2		
- RV20 - 56 C					33.00							18.77		5.30	7.20	10.30				
- 143 TC	7.087	9.84	0.63	3.21	33.00							18.77		5.30	7.20	10.30				
SK 43 F - RV20 - 56 C	8.46	0.16	0.55	5.08	34.03	2.40	10.79	11.81	13.78	1.93	6.89	4.57	17.53	2.72	5.30	7.20	9.30	1.875	2.09	3.50
					35.03							18.53		5.30	7.20	10.30				
- 143 TC					36.90		12.25			2.80		6.14	20.40		5.30	7.20	11.30	1/2 x 1/2 x 2-3/4		
- RV30 - 145 TC	7.087	9.84	0.63	4.13	36.90							20.40		5.30	7.20	11.30				
SK 53 F - RV20 - 56 C	10.43	0.16	0.55	5.18	36.06	2.99	11.66	13.27	15.81	1.93	8.35	4.57	17.53	2.72	5.30	7.20	9.30	2.250	2.47	4.00
					37.06							18.53		5.30	7.20	10.30				
- 143 TC					38.93		13.12			2.80		6.14	20.40		5.30	7.20	11.30			
- RV30 - 145 TC	9.055	11.81	0.79	4.39	38.93							20.40		5.30	7.20	11.30				
- RV40 - 184 TC					43.98		14.89			3.66		8.03	25.45		5.90	8.50	14.00	1/2 x 1/2 x 3-1/4		

ADDITIONAL FLANGE SIZES AVAILABLE						
SIZE	AJ	AK	BB	BD	BF	GA
SK 13 F ..	3.94 / 4.53	3.150 / 3.740	0.12 / 0.12	4.72 / 5.51	0.28 / 0.35	0.39 / 0.39
SK 23 F ..	5.12	4.331	0.14	6.30	0.35	0.39
SK 33 F ..	6.50	5.118	0.14	7.87	0.43	0.47
SK 43 F ..	6.50	5.118	0.14	7.87	0.43	0.55
SK 53 F ..	8.46	7.087	0.16	9.84	0.55	0.63

Dimensions subject to change without notice

NORDISC® - Foot Mounted Gearmotor Three-stage

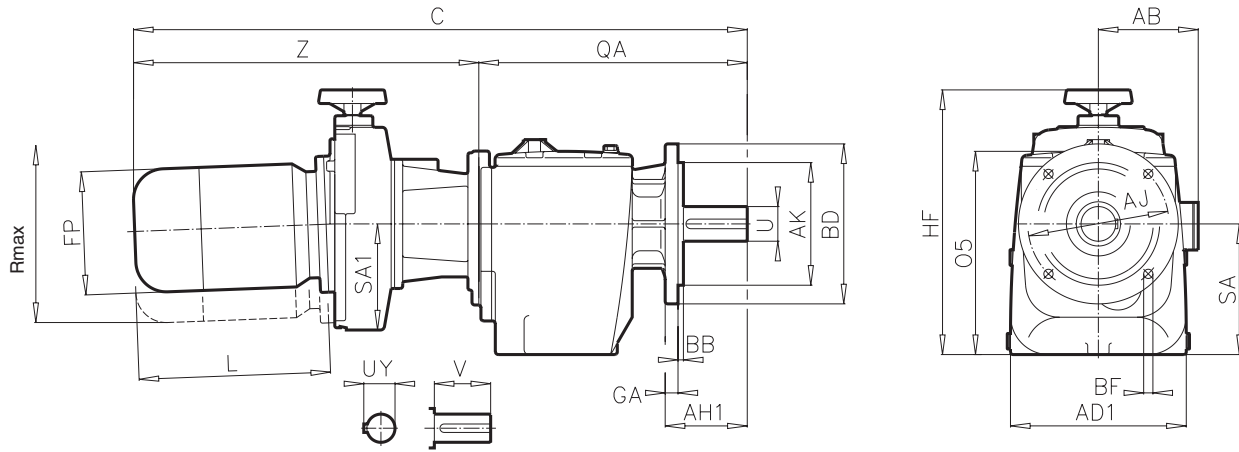


Type	Mounting dimensions				Outline dimensions									Motor			Shaft dimensions			
	A	E	G	J	BA	C	D	DB1	HF	N	O4	QA	Rmax	Z	AB	FP	L	U	UY	V
	B	F	H		BJ													Key		
SK 63 - RV30 - 145 TC	12.99	10.24	1.77	2.76	6.34	38.43	9.84	6.14	17.60	5.24	15.75	18.03	2.80	20.40	5.30	7.20	11.30	2.500	2.77	5.00
						43.48		8.03	19.37				3.66	25.45	5.90	8.50	14.00			
						5.43	45.08							27.05	7.40	10.30	15.60			
- RV 40 - 184 TC																				
- 213 TC	13.58	11.61	0.87																	

Dimensions subject to change without notice



NORDISC® - Flange Mounted Gearmotor Three-stage



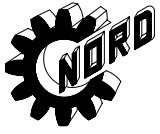
Type	Mounting dimensions			Outline dimensions									Motor			Shaft dimensions		
	AJ	BB	BF	AD1	C	HF	O5	QA	R _{max}	SA	SA1	Z	AB	FP	L	U	UY	V
	AK	BD	GA	AH1										Key				
SK 63 F - RV30 - 145 TC	10.43	0.18	0.55	12.99	40.16	17.41	15.55	19.76	2.80	9.65	6.14	20.40	5.30	7.20	11.30	2.500	2.77	5.00
- RV40 - 184 TC					45.21	19.18			3.66		8.03	25.45	5.90	8.50	14.00			
- 213 TC	9.055	11.81	0.95	5.00	46.81							27.05	7.40	10.30	15.60			5/8 x 5/8 x 4

Dimensions subject to change without notice



Notes





Engineering Information Motors



Engineering Information

Motors



Standards

All motors are in accordance with existing standards and regulations:

NEMA MG 1 - Motors and Generators:

- # Electrical performance
- # Motors for operation on variable frequency inverters

UL 1004 – Electric Motors

CSA C22.2 No. 100-92 - Motors and Generators; Industrial Products

IEC 60034 parts 1, 5, 6, 7, 8 and 9.

- # Part 1 – General rules
- # Part 5 – Types of enclosures
- # Part 6 – Types of cooling
- # Part 8 – Terminal lead designations and sense of rotation
- # Part 9 – Noise limits
- # Part 11 – Integrated thermal protection
- # Part 14 – Mechanical vibration

IEC 60038 – Standard voltages



NORD motors carry the CE mark in accordance with the Low Voltage Directive and, if installed properly, the Electromagnetic Compatibility Directive (EMC). The CE mark is required for installation in European Union (EU) states.



Many NORD motors from frame size 63 to 315 are an Underwriters Laboratories Recognized component per UL standard 1004. Frames 63-132 File number E191510



The Canadian Standards Association CUS mark indicates that CSA has tested and approved NORD motors according to both US and Canadian standards. It is equivalent to the Underwriters Laboratories RU recognition mark (UL standard 1004) and the CSA mark according to CSA Standard C22.2 No. 100-92. Frames 63-132 File number 1293961 (LR112560)



NORD energy efficient motors carry the CSA energy efficiency verification mark. This mark ensures that CSA has verified that NORD motors are designed and manufactured to meet energy efficiency requirements.

EPAct – US Energy Efficiency

The Energy Policy Act of 1992 (EPAct) covers efficiency levels of general-purpose industrial electric motors and became effective October 24, 1997. The basic goal of the law is to promote energy conservation. This law mandated energy efficiency requirements for many devices including some types of industrial electric motors. The efficiency levels are defined in NEMA MG-1 table 12-10. The regulations to implement this law have been developed by the Department of Energy (DOE).

The law covers minimum efficiency levels for general-purpose motors including:

- Single-speed, polyphase NEMA T frame (and IEC equivalents)
- 1 to 200 hp (0.75 to 150 kW)
- 3600, 1800 or 1200 rpm
- NEMA design A and B
- Continuous rated
- Foot-mounted
- 230/460V-60Hz

The law excludes the following motor types from minimum efficiency levels:

- Integral gearmotors
- Brakemotors

The NORD “H” line of energy efficient motors are designed to meet the efficiency levels defined in EPAct. NORD offers these motors as an option in combination with our high efficiency gear units for superior energy savings.

Efficiency levels for enclosed 4-pole motors per EPAct and NEMA MG 1 - in percent efficiency [%]

hp	1	1.5	2	3	5	7.5	10	15
kW	0.75	1.1	1.5	2.2	3.7	5.5	7.5	11
Eff (%)	82.5	84.0	84.0	87.5	87.5	89.5	89.5	91.0

hp	20	25	30	40	50	60	75	100
kW	15	18.5	22	30	37	45	55	75
Eff (%)	91.0	92.4	92.4	93.0	93.0	93.6	94.1	94.5

hp	125	150	200
kW	90	110	150
Eff (%)	94.5	95.0	95.0



Engineering Information Motors

Canadian Energy Efficiency



The Energy Efficiency Act and the Energy Efficiency Regulations establish minimum energy performance levels for electric motors from 1 to 200 HP (0.75 to 150 kW) for sale or lease in Canada. The Energy Efficiency Regulations were developed by Natural Resources Canada (NRCan).

Certain National Electrical Manufacturers Association (NEMA) motors have been regulated since February 3, 1995. Effective November 27, 1997, the Energy Efficiency Regulations were amended to include International Electrotechnical Commission (IEC) motors. This amendment also increased the minimum energy performance levels that motors must meet. For explosion-proof motors and motors contained within an integral gear assembly, the effective date of the Regulations is November 27, 1999.

The regulations mandate that motors carry an energy efficiency verification mark that is authorized by Standards Council of Canada (SCC) accredited certification organization such as Canadian Standards Association (CSA).

CEMEP Agreement – European Efficiency Categories

CEMEP, the association of European Electric Motor Manufacturers, has reached an agreement with the European Commission's General Directorate for Energy that in the future all 2 and 4-pole low voltage motors from 1 to 100kW will be categorized on the basis of their efficiency. The classification will be displayed on the nameplate and in catalogs. The following categories will be used: EFF1, EFF2 and EFF3.



EFF1 – indicates a high-efficiency motor.



EFF2 – indicates an improved efficiency motors.



EFF3 – indicates a standard efficiency motors.

NORD supplies both motors of EFF1 and EFF2 categories in its 4-pole motors. The category EFF2 motors are the standard efficiency motors and the EFF1 motors are the “H” line energy-efficiency motors.

In the future NORD will mark all of its 50-Hz motor with the CEMEP efficiency symbols.

CEMEP efficiency categories - in percent efficiency [%]

kW	1.1	1.5	2.2	3	4	5.5	7.5
hp	1.5	2	3	4	5.4	7.5	10
EFF1 [%]	83.3	85.0	86.4	87.4	88.3	89.2	90.1
EFF2 [%]	76.2	78.5	81.0	82.6	84.2	85.7	87.0
EFF3 [%]	<76.2	<78.5	<81.0	<82.6	<84.2	<85.7	<87.0

kW	11	15	18.5	22	30	37	45
hp	15	20	25	30	40	50	60
EFF1 [%]	91.0	91.8	92.2	92.6	93.2	93.6	93.9
EFF2 [%]	88.4	89.4	90.0	90.5	91.4	92.0	92.5
EFF3 [%]	<88.4	<89.4	<90.0	<90.5	<91.4	<92.0	<92.5

kW	55	75	90
hp	75	100	120
EFF1 [%]	94.2	94.7	95.0
EFF2 [%]	93.0	93.6	93.9
EFF3 [%]	<93.0	<93.6	<93.9

Inverter/Vector Duty



NORD single –speed motors are Inverter/Vector Duty. The construction of the NORD motors insulating system takes into account the non-sinusoidal waveforms produced by variable frequency drives. NORD uses high grade insulating components and extra first turn protection as well as double coated wire to ensure long service life when connected to inverters. NORD motors can produce full torque at zero speed if properly sized, selected and controlled.

Standard constant torque speed ranges available:

- 5:1 (60-12Hz) – Option code VR
- 10:1 (60-6Hz) – Option code VN
- 20:1 (80-4-Hz) – Option code VW
- 1000+:1 (60-0Hz) – Option codes VZ-F

See page 38 for further details

Inverter/Vector Duty – Voltage Spikes

All NORD motors are constructed with an insulating system designed to withstand the repeated voltage spikes generated by modern frequency inverters. The insulation system is in conformance with NEMA MG 1-1998 Section 31.4.4.2 Voltage Spikes, which requires motors to withstand:

$$V_{\text{peak}} = 3.1 \times V_{\text{rated}} \text{ with a Rise time } \Omega 0.1\sigma$$



Engineering Information

Motors

Low Inertia

The motor inertia in all NORD motors is extremely low which allows for a much more dynamic motor control capability. NORD motors can cycle more frequently and require less mechanical energy to start than standard NEMA frame motors. This leaves more energy to start the load. Low motor inertia is a significant advantage when using NORD motors with inverters or vector controllers.

High Torque

The NORD motor design produces high motor starting torque. This is achieved through improved motor winding and rotor design and construction.

Non-sparking Fan

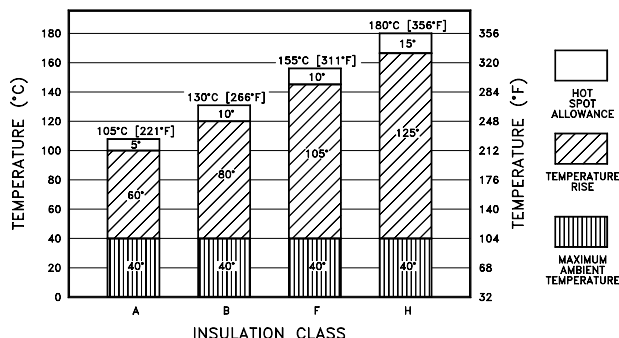
The standard NORD motor fan is a non-sparking design. The fan will also provide proper airflow in either direction of rotation.

Terminal Block

Each NORD motor uses a terminal block. A terminal block is a superior method of wire termination as compared to pigtail leads. A terminal block ensures long-term reliability of the power connections.

Insulation Class

NORD motors are constructed with a thermal class F insulating system. The motors are also designed for a class B temperature rise (80 °C). The use of class F insulation with a class B temperature rise provides increased operating life. Motors constructed with class H insulation are also available as an option.



Insulation system

NORD motors insulation system is designed to provide a superior degree of protection. NORD uses the following insulation components to:

- # Magnet wire – double coated
- # Varnish dip impregnation
- # Slot liners
- # Phase paper
- # Phase separators
- # Top sticks
- # Connecting wire sleeves

Other motor manufacturers eliminate some of these insulating components for cost reduction.

Tropical Protection (Anti-fungal)

As standard the NORD motor insulation system is tropically protected. The insulating and construction components are inorganic materials so the resist fungal growth. Additional protection against moisture can be provided at an option through the NORD Severe Duty (NSD+) package and/or Epoxy Dipped Windings (ED).

Ambient Temperature

NORD motors are designed to operate with a maximum ambient temperature of 40°C (104°F). If the motor's operating environment exceeds 40°C, the motor either needs to be de-rated (see table on the following page) or use an upgraded insulation.

Ambient temp [°F]	113	122	131	140
Ambient temp [°C]	45	50	55	60
Permitted power	96%	92%	87%	82%

Elevation

NORD motors are designed to operate at an elevation of up to 3300-ft (1000 m) above sea level. At higher elevations the air is thinner resulting in less cooling capacity. If the motor's installation elevation exceeds 3300-ft (1000 m), the motor either needs to be de-rated (see table below) or requires upgraded insulation.

Attitude [ft]	5000	6500	8200	10000	11500	13000
Attitude [m]	1500	2000	2500	3000	3500	4000
Permitted power	97%	94%	90%	86%	83%	90%



Starting Frequency

One major advantage of NORD motors and brakemotors is the ability to operate in high start-stop applications. Due to the motors optimized design, NORD motors can, under some conditions, cycle thousands of times an hour. This means that a NORD brakemotor can often be used to replace a clutch brake system.

If the motor or brakemotor is used with an inverter or vector drive, the motor's cycling capacity can be increased even more.

The following factors have to be considered when calculating the permissible starting frequency:

The permissible frequency of switching may be calculated as follows:

- Z_0 no-load starting frequency [starts/hour]
– refer to brake ratings tables page 72
- Z_{zul} permissible starting frequency [starts/hour]
- J_{mot} moment of inertia of motor [lb-in²]
– refer to motor performance tables
- J_{red} external inertia reflected to motor shaft [lb-in²]
- T_a required starting torque [lb-in]
- T_l load torque after starting [lb-in]

$$Z_{zul} = Z_0 \Delta \frac{1.4 \frac{T_l}{T_a}}{1.2 \frac{J_{red}}{J_{mot}}}$$

Service Factor

Motors rated 230/460V-60Hz and 332/575V-60Hz have a service factor of 1.15. All other motors have a service factor of 1.1 or 1.0.

Available Voltages

Standard voltages for North America:

- 230/460V-60Hz (up to frame IEC180)
- 460V-60Hz
– wye/delta start (frame IEC200 and larger)
- 332/575V-60Hz

Standard international voltages:

- 230/400V-50Hz (3hp and smaller)
– usable on 380-415V supply voltages
- 400/690V-50Hz (larger than 3hp)
– usable on 380-415V supply voltages

Other voltages are available

- 208/360V-60Hz
- other voltages available consult NORD

Voltage and Frequency Tolerances

Voltage tolerance $\pm 10\%$ based on rated voltage. Line frequency tolerance of $\pm 5\%$. Combined variation in voltage and frequency of $\pm 10\%$ in accordance with NEMA standard MG 1.

Duty Classes

All single-speed motor ratings in this catalog are based on continuous duty operation (S1), i.e. operation with a constant load state whose duration is sufficient to reach the thermal steady state condition. S2 is a short-time operation, meaning operation with a constant load for a specified limited time followed by a pause until the motor is completely cooled down to ambient.

S3 is a periodic operation not under the influence of the start-up, consisting of repeated similar cycles, each comprised of a period with constant load and a pause. The starting current should not noticeably affect the warming-up. For duty types S2 and S3, it is necessary to determine the duration of the operation time and the cycle time, moments of inertia of driven machine, and its speed required torque on starting breaking method.

Duty Class		Power Increase Factor
S1	Continuous operation	1.0
<i>continuous</i>		
S2	Operation time: 60 min	1.1
	30 min	1.2
	10 min	1.4
<i>Short-time</i>		
S3	Duty cycle, ED: 60%	1.1
	40%	1.15
	25%	1.3
	15%	1.4
<i>Periodic</i>		

If a motor is designed for 100% continuous duty, S1, and shorter cycle duration factor is required, the motor power can be increased according to the table.



Engineering Information

Motors

Enclosure

Standard enclosure type: Totally Enclosed Fan-Cooled (TEFC) with an IP55 enclosure rating. Other enclosure ratings are available, including Totally Enclosed Non-Ventilated (TENV), Totally Enclosed Blower-Cooled (TEBC), and IP65.

The motor integral cooling fan provides proper air flow in either direction of rotation. The IEC cooling classification is IC 411 according to IEC 60034-6.

IP enclosures per IEC 60034-5 – simplified

IP	1 st code number Foreign body protection	2 nd code number Water protection
0	No protection	No protection
1	Protected against solid objects 50 mm (2 in) in diameter and larger	Protecting against dripping water
2	Protected against solid objects 12 mm (1/2 in) in diameter and larger	Protected against dripping water up to a 15 degree angle
3	Protected against solid objects 2.5 mm (0.1 in) in diameter and larger	Protection against sprayed water
4	Protected against solid objects 1 mm (0.04 in) in diameter and larger	Protection against splashed water
5	Protected against dust	Protection against water jets
6	Dust tight	Protection against high pressure water jets
7	--	Protections against intermittent submersion in water
8	--	Protection against continuous submersion in water

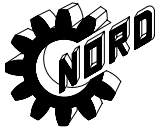
Protective Features

All NORD Motors and Speed Reducers are constructed to provide a high degree of protection against wet and severe environments. NORD Motors and Speed Reducers are extremely well sealed against moisture ingress and use corrosion and moisture resistant components. NORD has recently made many enhancements in the motor and gear units standard construction to provide improved environmental protection. Many of the standard protection features of the NORD units are only available at an additional cost from other motor and gear drive suppliers. NORD designs all gearmotors, speed reducers and motors for installation in harsh industrial, commercial and municipal installation environments.

Above the very high degree of standard environmental protection NORD has additional options for unusual operating environments. These include NORD Severe Duty + (NSD+) protection for better external corrosion protection in wet and corrosive installations.

Standard Construction

- ## Shaft lip seals on both ends of the motor shafts
- ## Stator to end bell connections sealed to exclude moisture
- ## Double coated magnetic wire insulation
- ## Inverter/vector duty insulation system conforms to NEMA MG1-1998, section 31.4.4.2 voltage spikes
- ## Moisture resistant varnish dipped windings – improved varnish materials
- ## Inorganic insulating components for tropical protection
- ## Moisture resistant motor windings
- ## Conduit box sealed with gaskets
- ## Corrosion resistant alloy materials
- ## Threaded cable entry holes



Ratings Motors



Ratings Motors



Standard efficiency

Inverter duty • TEFC

Synchronous speed 1800 rpm @ 60Hz • 4-pole • Three-phase

Voltages: 230/460, 460 & 332/575 – 60Hz • 1.15 Service factor

Continuous Duty • 40°C Ambient • up to 3300ft Elevation

Class B temperature rise • Class F insulation



Motor Type	P _n		n _n Full-load [rpm]	I _n Full-Load Current			I _a /I _n [%]	Code Letter	T _n [lb-in]	T _a /T _n	T _k /T _n	pf	Eff. [%]	J _m Inertia lb-ft ²
	[hp]	[kW]		230V ^{a)} [A]	460V ^{a)} [A]	575V [A]								
63S/4 ¹⁾	0.16	0.12	1700	0.88	0.44	0.37	245	F	5.92	2.1	2.2	0.66	52	0.005
63L/4 ¹⁾	0.25	0.18	1680	1.12	0.56	0.46	275	E	8.99	2.1	2.2	0.71	57	0.0067
71S/4 ¹⁾	0.33	0.25	1710	1.56	0.78	0.66	310	G	12.3	2.5	2.4	0.64	63	0.017
71L/4 ¹⁾	0.5	0.37	1720	1.90	0.95	0.8	355	F	18.0	2.45	2.6	0.69	71	0.0204
80S/4 ¹⁾	0.75	0.55	1710	2.70	1.35	1.12	355	F	27.0	2.2	2.2	0.71	72	0.0259
80L/4 ²⁾	1	0.75	1650	3.66	1.83	1.46	390	G	38.1	2.2	2.3	0.74	70	0.0345
90S/4 ²⁾	1.5	1.1	1660	4.84	2.42	1.94	445	G	55.6	2.7	2.6	0.78	73	0.055
90L/4 ²⁾	2	1.5	1660	6.34	3.17	2.54	465	G	75.8	2.55	2.5	0.80	74	0.074
100L/4 ²⁾	3	2.2	1705	9.0	4.50	3.6	490	G	108	2.3	2.6	0.81	82	0.107
100L/40 ²⁾	5	3.7	1725	15.2	7.62	6.1	510	G	180	2.7	3.1	0.75	81	0.141
132S/4 ²⁾	7.5	5.5	1735	19.8	9.9	7.92	545	G	267	2.45	2.75	0.82	86	0.55
132M/4 ²⁾	10	7.5	1735	25.8	12.9	10.3	645	H	363	2.9	3.2	0.84	87	0.752
160M/4 ³⁾⁴⁾	15	11	1770	38.4	19.2	-	665	H	522	2.45	3.0	0.82	88	0.95
160L/4 ³⁾⁴⁾	20	15	1765	49	24.5	-	725	H	713	2.9	3.3	0.86	89.4	1.23
180MX/4 ³⁾⁴⁾	25	18.5	1750	60	30	-	860	K	887	2.95	3.4	0.87	89	1.35
180LX/4 ³⁾⁴⁾	30	22	1755	71	35.5	-	980	L	1052	3.4	3.7	0.87	89.4	1.35
200L/4 ³⁾⁴⁾	40	30	1780	96	48	-	770	J	1414	2.9	3.6	0.85	92	5.70
225S/4 ³⁾⁴⁾	50	37	1765	-	58	-	760	H	1759	3.1	3.5	0.86	93.1	7.60
225M/4 ³⁾⁴⁾	60	45	1770	-	70	-	840	J	2133	3.1	3.6	0.86	93.8	8.54
250M/4 ³⁾⁵⁾	75	55	1782	-	89	-	700	H	2636	2.8	3.2	0.84	93.7	16.4
280S/4 ³⁾⁵⁾	100	75	1788	-	118	-	830	J	3497	2.9	3.5	0.84	94.4	30.6
280M/4 ³⁾⁵⁾	125	90	1786	-	144	-	810	J	4385	2.8	3.3	0.86	95.1	34.9
315S/4 ³⁾⁵⁾	150	110	1788	-	176	-	720	H	5255	2.8	3.1	0.84	94.7	47.5
315M/4 ³⁾⁵⁾	175	132	1790	-	200	-	800	J	6125	3.0	3.4	0.85	95.4	58.4
315Ma/4 ³⁾⁵⁾	200	150	1790	-	230	-	810	J	7003	3.2	3.6	0.86	95.7	71.4
315L/4 ³⁾⁵⁾	250	187	1790	-	280	-	850	J	8734	3.2	3.3	0.87	96.3	92.8

1) UL(RU) – File # E191510, CSA-File # 112 560, cCSAus-File 189340 - 1293961, CE

2) cCSAus -File # 189340 - 1293961, CE, UL(RU)-pending

3) UL(RU) – File # E93429, CE

4) CSA-File # LR38727

5) CSA-pending

a) Motors 40 hp (200 frame) and below are rated dual voltage 230/460 V, motors 50 hp (225 frame) and larger are rated 460 V only.

P_n - Full-load power

n_n - Full-load speed

I_n - Full-load current

I_a - Locked-rotor current

I_a/I_n - Locked-rotor current ratio (%)

T_n - Full-load torque

T_a - Locked-rotor torque

T_a/T_n - Locked-rotor torque ratio

T_k - Break-down torque

T_k/T_n - Break-down torque ratio

pf - Power factor

Eff. - Nominal efficiency

J_m - Motor inertia



Ratings Motors

Energy efficient (EPA2)

Inverter duty • TEFC

Synchronous speed 1800rpm @ 60Hz • 4-pole • Three phase
 Voltages: 230/460, 460 & 332/575 – 60Hz • 1.15 Service factor

Continuous Duty • 40°C Ambient • up to 3300ft Elevation

Class B temperature rise • Class F insulation



Motor Type	P _n		n _n Full-load	I _n Full-Load Current			I _a /I _n	Code Letter	T _n	T _a /T _n	T _k /T _n	pf	Eff.	J _m Inertia
	[hp]	[kW]		[rpm]	230V ^{a)}	460V ^{a)}								
80LH/4 ¹⁾	1	0.75	1750	3.88	1.94	1.5	600	L	36.0	4.6	4.3	0.59	82.5	0.051
90SH/4 ¹⁾	1.5	1.1	1740	4.3	2.15	1.75	630	J	53.1	3.5	3.8	0.76	84.0	0.085
90LH/4 ¹⁾	2	1.5	1745	6.3	3.15	2.45	670	K	72.1	4.3	4.5	0.71	84.0	0.092
100LH/4 ¹⁾	3	2.2	1765	8.6	4.3	3.4	790	L	105	3.6	4.7	0.73	87.5	0.178
112MH/4 ¹⁾	5	3.7	1770	14.4	7.2	5.6	810	L	176	4.0	4.8	0.76	87.5	0.304
132SH/4 ¹⁾	7.5	5.5	1780	20.9	10.5	8.3	820	L	259	4.3	4.6	0.74	89.5	0.75
132MH/4 ¹⁾	10	7.5	1770	27.0	13.5	10.8	735	J	356	3.2	4.0	0.78	89.5	0.84
160MH/4 ³⁾⁴⁾	15	11	1765	35.8	17.9	14.3	810	J	527	2.6	3.2	0.85	91.0	1.23
160LH/4 ³⁾⁴⁾	20	15	1765	49	24.5	19.6	850	K	712	2.8	3.5	0.85	91.0	1.35
180MH/4 ³⁾⁴⁾	25	18.5	1770	61	30.5	24.4	840	K	879	2.8	3.6	0.83	92.4	3.56
180LH/4 ³⁾⁴⁾	30	22	1770	72	36	28.8	880	K	1046	3.1	3.9	0.83	92.4	4.51
200LH/4 ³⁾⁴⁾	40	30	1770	94	47	37.6	830	J	1424	3.0	3.6	0.86	93.0	7.60
225SH/4 ³⁾⁵⁾	50	37	1782	-	59	47.2	810	J	1758	3.0	3.4	0.84	94.1	9.5
225MH/4 ³⁾⁵⁾	60	45	1782	-	70	56	820	J	2109	3.0	3.5	0.85	94.3	11.6
250MH/4 ³⁾⁵⁾	75	55	1790	-	86	69	820	J	2619	2.9	3.4	0.86	95.1	20.4
280SH/4 ³⁾⁵⁾	100	75	1786	-	116	93	830	J	3506	2.9	3.5	0.85	94.5	36.3
280MH/4 ³⁾⁵⁾	125	90	1786	-	146	117	800	J	4385	2.8	3.3	0.85	94.9	43.4
315SH/4 ³⁾⁵⁾	150	110	1791	-	174	139	760	H	5246	2.8	3.1	0.85	95.5	58.8
315MaH/4 ³⁾⁵⁾	200	150	1791	-	225	180	890	J	6995	3.3	3.5	0.86	95.9	86.9

1) UL(RU) – File # E191510 , CSA/cCSAus-File # LR112560 / 189340 - 1293961, CE

3) UL(RU) – File # E93429, CE

4) CSA-File #R38727

5) CSA-pending

a) Motors 40 hp (200 frame) and below are rated dual voltage 230/460 V, motors 50 hp (225 frame) and larger are rated 460 V only.

P_n - Full-load power

n_n - Full-load speed

I_n - Full-load current

I_a - Locked-rotor current

I_a/I_n - Locked-rotor current ratio (%)

T_n - Full-load torque

T_a - Locked-rotor torque

T_a/T_n - Locked-rotor torque ratio

T_k - Break-down torque

T_k/T_n - Break-down torque ratio

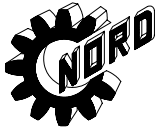
pf - Power factor

Eff. - Nominal efficiency

J_m - Motor inertia

Notes





Inverter/Vector Duty Engineering Information





Inverter/Vector Duty Engineering Information

Inverter/Vector Duty



NORD single speed motors are Inverter/Vector Duty. The construction of the NORD motor insulating system takes into account the non-sinusoidal waveforms produced by variable frequency drives. NORD uses high grade insulating components and extra first turn protection as well as double coated wire to ensure long service life when connected to inverters. NORD motors can produce full torque at zero speed if properly sized, selected and controlled.

Inverter/Vector Duty – Voltage Spikes

All NORD motors are constructed with an insulating system designed to withstand the repeated voltage spikes generated by modern frequency inverters. The insulation system is in conformance with NEMA MG 1-1998 Section 31.4.4.2 Voltage Spikes, which requires motors to withstand:

$$V_{\text{peak}} = 3.1 \times V_{\text{rated}} \text{ with a Rise time } \geq 0.1 \mu\text{s}$$

Constant torque speed range

NORD motors can be selected for a very wide speed range at constant torque. The selection of a motor for a given constant torque speed range must take into account the motor thermal cooling ability and its torque producing capacity. For most fan cooled motor operation at low frequencies is limited by the motors thermal capacity. Operation at speeds, above base frequencies, is restricted by torque capacity and by the voltage limit of the frequency inverter. Consult the curves “Motor Performance Self Cooled – TEFC” and “Motor Performance Forced Cooled – TEBC” to properly select a speed range. Following the selection curves are motor ratings tables with four pre selected frequency ranges, 5:1, 10:1, 20:1 and 1000+:1.

Maximum motor speed and frequency

NORD 4-pole motors are designed for operation up to 3600 rpm with a maximum line frequency of 120 Hz.

Zero speed operation

Operation of a NORD motor at zero speed is possible depending on the drive inverter control method and the motor cooling characteristics. To produce torque at zero speed the motor must be sized sufficiently for adequate cooling (consult the curves “Motor

Performance Self Cooled – TEFC” and “Motor Performance Forced Cooled – TEBC”). Also the inverter or vector controller must be capable of producing torque at zero motor speed. This typically requires closed loop control with an encoder (NORD option IG) or other feedback device. Consult the AC drive manufacturer for details.

Thermal protection

It is good practice to use motor thermal protection on motors used with frequency inverters or vector controllers. NORD offers thermostats (option TW) and thermistors (option TF) to provide motor thermal protection.

Motor speed and torque

When operating a motor on an inverter the motor output speed is essentially proportional to the supply frequency. If the supply frequency is increased the motor speed will also increase. If the supply frequency is decreased the motor speed will also decrease.

Induction motors are constant slip devices. This will cause the proportional relationship between output speed and input frequency to vary slightly.

Most applications for gearmotors and variable frequency inverters require constant torque. This means that the required torque is constant independent of output speed. NORD motors are well suited for these constant torque applications. Following is a typical operating characteristic chart for NORD motors used on constant torque inverters. This chart demonstrates the frequency range NORD motors produce constant torque and constant power. This chart does not take into account any thermal limits of the motor at low frequencies. Thermal limits will be addressed later in this catalog.

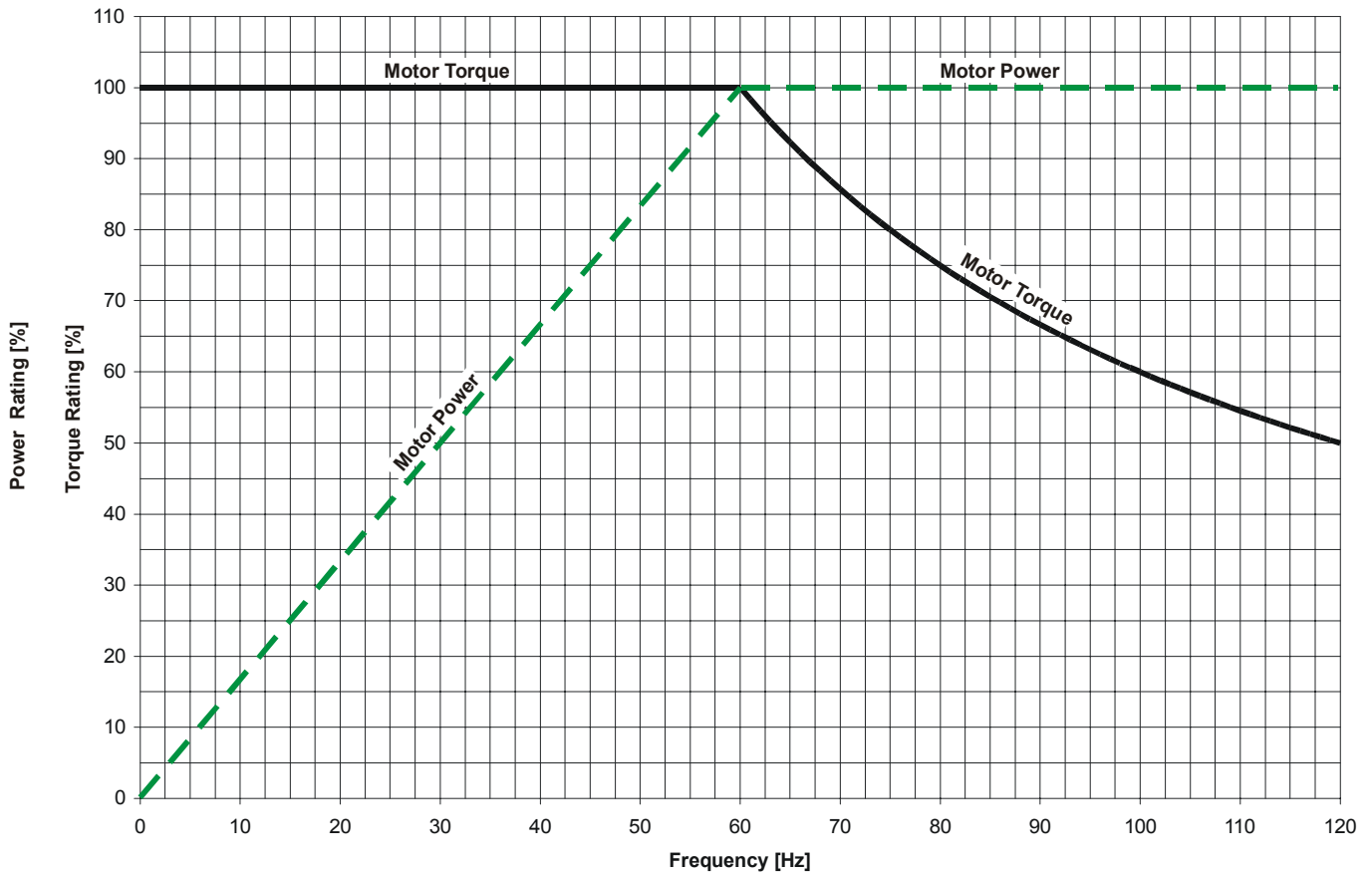
High Dynamic Operation

NORD motors are designed to deliver extremely high dynamic performance with modern frequency inverters. A key design element is a low mass moment of inertia design. The low inertia design allows for higher cycling capacity, lower operating temperature and more motor torque delivered to the load in dynamic applications.



Inverter/Vector Duty Engineering Information

Motor Speed and Torque



Output speed based on variable frequency:

$$Output\ speed_{Hz} (n_{Hz}) \quad | \quad \frac{1800rpm \Delta f_{Hz}}{60Hz} \quad 4 \quad Slip_{rpm}$$

Power below 60Hz base speed: (the power above base speed is constant at the rated power)

$$HP_{Hz} \quad | \quad P_{Rated} \Delta \frac{f_{Hz}}{60Hz}$$

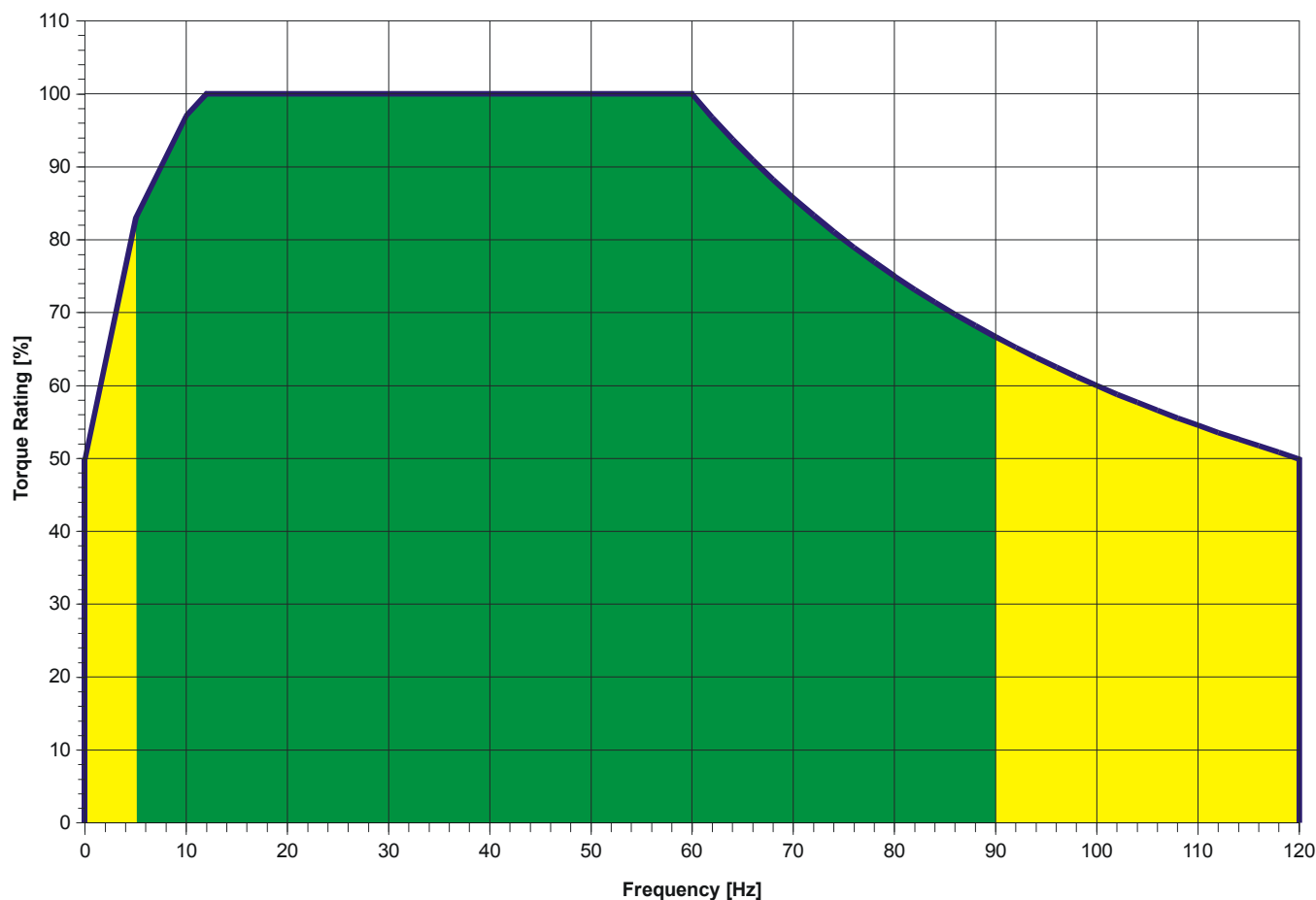
The output torque capacity of the motor can be calculated from the speed and power

$$T_{Hz} \quad | \quad \frac{HP_{Hz} \Delta 63025}{n_{Hz}}$$



Inverter/Vector Duty Engineering Information

Motor Performance Self Cooled - TEFC



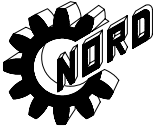
NORD motors can safely operate over a frequency range of 0Hz to 120Hz. The dark shaded zone below the curve on the above chart indicates the safe continuous operating zone. The lighter shaded zones below 5Hz and above 90Hz indicates cautionary performance limited by the inverter or vector controller.

⚠ **Below 5Hz** many AC inverter or Vector drives provide poor speed regulation. Consult the AC drive manufacture for their recommendations. These performance limits are not due to the NORD motor but the control method of the AC drive.

⚠ **Above 90Hz** a motor's overload capacity is limited. This is due to the limited voltage generated by the AC drive. When a motor is operated above 60Hz the overload capacity is reduced as a square function of the increased frequency. Typically above 90Hz the overload

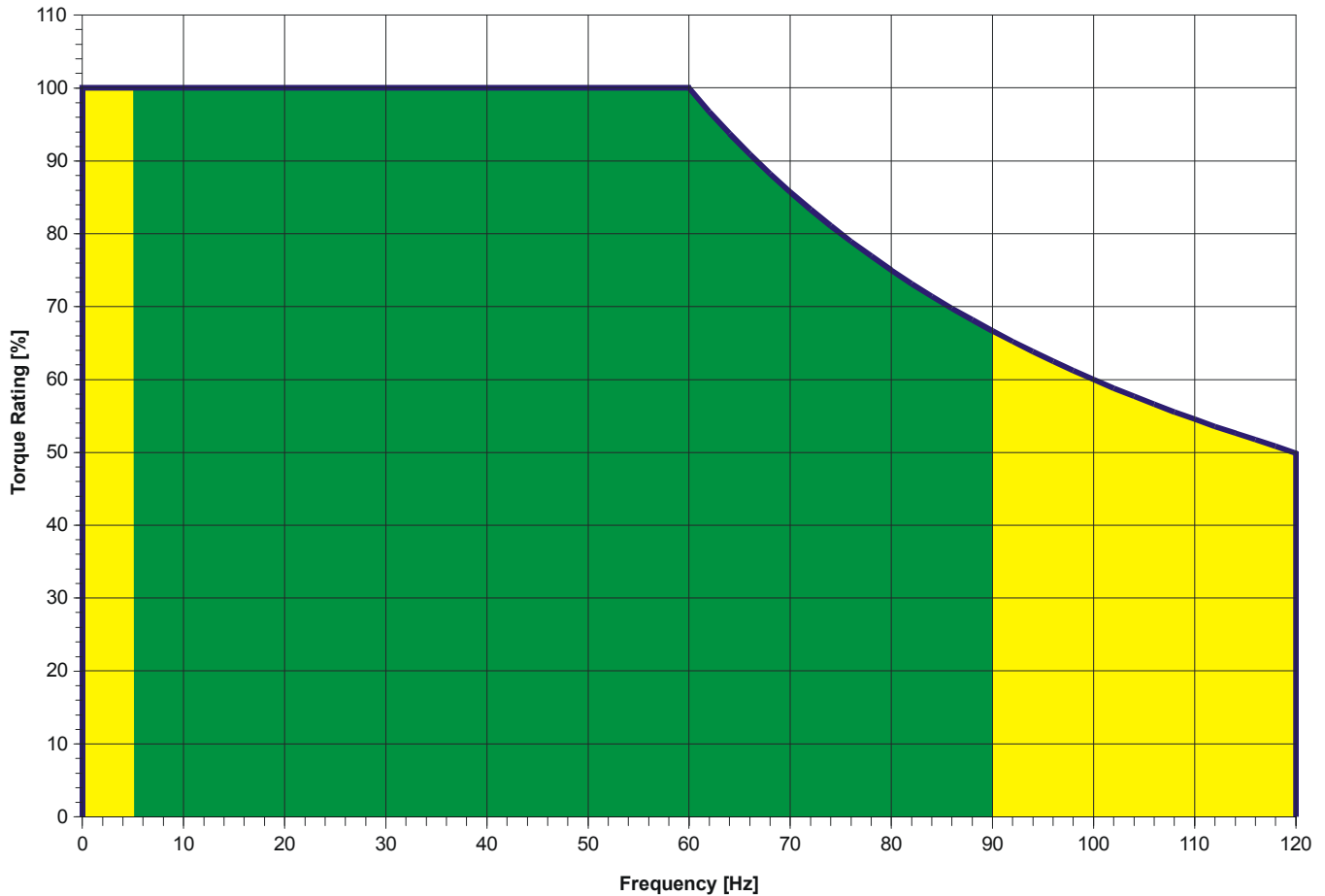
capacity is reduced to below 150%, which can cause a problem for some applications.

⚠ **Between 0Hz and 12Hz** the NORD motors can not produce as much torque as at their 60Hz rating. This is due to the reduced cooling air-flow by the motor fan at lower speeds. If constant torque is required down to zero speed NORD can provide optional separately powered motor cooling fans (TEFC-operation). See the next page for the performance characteristic.



Inverter/Vector Duty Engineering Information

Motor Performance Forced Cooled - TEBC



NORD motors can safely operate over a frequency range of 0Hz to 120Hz. The dark shaded zone below the curve on the above chart indicates the safe continuous operating zone. The lighter shaded zones below 5Hz and above 90Hz indicates cautionary performance limited by the inverter or vector controller.

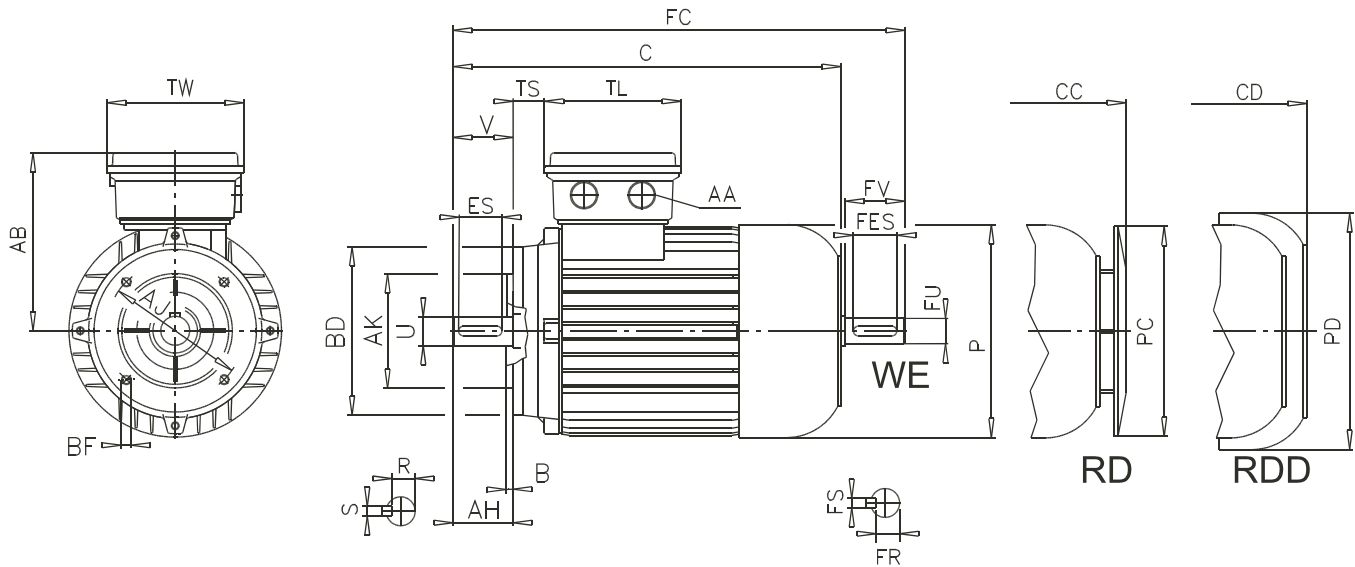
Any NORD TEFC motor can be converted to a TEBC (Totally Enclosed Blower Cooled) motor by adding a NORD separately powered ventilator fan.

⚠ **Below 5Hz** many AC inverter or Vector drives provide poor speed regulation. Consult the AC drive manufacturer for their recommendations. These performance limits are not due to the NORD motor but the control method of the AC drive.

⚠ **Above 90Hz** a motor's overload capacity is limited. This is due to the limited voltage generated by the AC drive. When a motor is operated above 60Hz the overload capacity is reduced as a square function of the increased frequency. Typically above 90Hz the overload capacity is reduced to below 150%, which can cause a problem for some applications.



NEMA C-Face Motor Options WE, RD, RDD

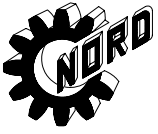


	Flange	AJ	AK	BD	B	BF
63S -56C	56C	5.875	4.500 +0/-0.003	6.50	0.16	3/8-16 x 0.71
63L -56C	56C	5.875	4.500 +0/-0.003	6.50	0.16	3/8-16 x 0.71
71S -56C	56C	5.875	4.500 +0/-0.003	6.50	0.16	3/8-16 x 0.71
71L -56C	56C	5.875	4.500 +0/-0.003	6.50	0.16	3/8-16 x 0.71
80S -56C	56C	5.875	4.500 +0/-0.003	6.50	0.16	3/8-16 x 0.87
80L -143TC	143TC	5.875	4.500 +0/-0.003	6.50	0.16	3/8-16 x 0.87
90S -145TC	145TC	5.875	4.500 +0/-0.003	6.50	0.16	3/8-16 x 0.71
90L -145TC	145TC	5.875	4.500 +0/-0.003	6.50	0.25	3/8-16 x 0.71
100L -182TC	182TC	7.250	8.500 +0/-0.003	9.00	0.25	1/2-13 x 1.10
100L -184TC	184TC	7.250	8.500 +0/-0.003	9.00	0.25	1/2-13 x 1.10
112M -184TC	184TC	7.250	8.500 +0/-0.003	9.00	0.25	1/2-13 x 0.98
132S -213TC	213TC	7.250	8.500 +0/-0.003	9.00	0.25	1/2-13 x 1.18
132M -215TC	215TC	7.250	8.500 +0/-0.003	9.00	0.25	1/2-13 x 1.18

	AB	AH	C	CC	CD	FC	P	PC	PD	TL	TS	TW	AA
63S -56C	4.53	2.06	9.62	10.09	10.68	11.12	5.12	4.84	6.02	3.94	0.47	3.94	1/2"NPT M20x1.5
63L -56C	4.53	2.06	9.62	10.09	10.68	11.12	5.12	4.84	6.02	3.94	0.47	3.94	1/2" NPT M20x1.5
71S -56C	4.88	2.06	9.70	10.96	11.43	12.02	5.71	5.43	6.65	3.94	0.79	3.94	1/2" NPT M20x1.5
71L -56C	4.88	2.06	9.70	10.96	11.43	12.02	5.71	5.43	6.65	3.94	0.79	3.94	1/2" NPT M20x1.5
80S -56C	5.59	2.06	11.51	12.14	12.73	13.51	6.50	6.14	7.20	4.49	1.02	4.49	3/4" NPT M25x1.5
80L -143TC	5.59	2.12	11.57	12.20	12.79	13.57	6.50	6.14	7.20	4.49	1.02	4.49	3/4" NPT M25x1.5
90S -145TC	5.79	2.12	12.16	12.79	13.38	14.68	7.20	6.93	7.91	4.49	1.18	4.49	3/4" NPT M25x1.5
90L -145TC	5.79	2.12	13.14	13.77	14.36	15.67	7.20	6.93	7.91	4.49	1.18	4.49	3/4" NPT M25x1.5
100L -182TC	6.65	2.62	14.82	15.45	15.93	17.31	7.91	7.64	8.86	4.49	1.42	4.49	1" NPT M32x1.5
100L -184TC	6.65	2.62	14.82	15.45	15.93	17.31	7.91	7.64	8.86	4.49	1.42	4.49	1" NPT M32x1.5
112M -184TC	7.05	2.62	15.45	16.08	16.95	17.86	8.98	8.58	10.43	4.49	1.77	4.49	1" NPT M32x1.5
132S -213TC	8.03	3.12	18.08	18.79	19.69	22.17	10.47	10.12	12.52	4.80	2.13	4.80	1" NPT M32x1.5
132M -215TC	8.03	3.12	19.58	20.29	21.19	23.67	10.47	10.12	12.52	4.80	2.17	4.80	1" NPT M32x1.5

	U	V	ES	R	S	FU	FV	FEC	FR	FS
63S -56C	0.625 +0/-0.0005	1.87	1.69	0.517	0.188	0.500 +0/-0.0005	1.50	1.25	0.453	flat
63L -56C	0.625 +0/-0.0005	1.87	1.69	0.517	0.188	0.500 +0/-0.0005	1.50	1.25	0.453	flat
71S -56C	0.625 +0/-0.0005	1.87	1.69	0.517	0.188	0.500 +0/-0.0005	1.50	1.25	0.453	flat
71L -56C	0.625 +0/-0.0005	1.87	1.69	0.517	0.188	0.500 +0/-0.0005	1.50	1.25	0.453	flat
80S -56C	0.625 +0/-0.0005	1.87	1.69	0.517	0.188	0.625 +0/-0.0005	1.88	1.69	0.517	0.188
80L -143TC	0.875 +0/-0.0005	2.25	1.81	0.771	0.188	0.625 +0/-0.0005	1.88	1.69	0.517	0.188
90S -145TC	0.875 +0/-0.0005	2.25	1.81	0.771	0.188	0.875 +0/-0.0005	2.25	1.81	0.771	0.188
90L -145TC	0.875 +0/-0.0005	2.25	1.81	0.771	0.188	0.875 +0/-0.0005	2.25	1.81	0.771	0.188
100L -182TC	1.125 +0/-0.0005	2.75	2.25	0.986	0.250	0.875 +0/-0.0005	2.25	1.81	0.771	0.188
100L -184TC	1.125 +0/-0.0005	2.75	2.25	0.986	0.250	0.875 +0/-0.0005	2.25	1.81	0.771	0.188
112M -184TC	1.125 +0/-0.0005	2.75	2.25	0.986	0.250	0.875 +0/-0.0005	2.25	1.81	0.771	0.188
132S -213TC	1.375 +0/-0.0005	3.37	3.37	1.201	0.313	1.375 +0/-0.0005	3.38	3.37	1.201	0.313
132M -215TC	1.375 +0/-0.0005	3.37	3.37	1.201	0.313	1.375 +0/-0.0005	3.38	3.37	1.201	0.313

Dimensions subject to change without notice



Motor - Options Selection & Ratings





Motor - Options Selection & Ratings

NORD Severe Duty + (NSD+) – option

NORD offers a protection package for its motors known as NORD Severe Duty + (NSD+). This additional motor protection is for wet and corrosive environments. The additional protection will ensure that the motor has a long trouble-free service life in harsh operating environments. The following are provided with the package:

- # Standard NORD motor and gear unit – including all the NEW sealing and protective features
- # Etching primer undercoat
- # Stainless steel (316L) protective coating – USDA/H1 approved
- # Brakemotors – include a stainless steel wear plate and sealing dust boot (brake option SR)

IP 65 enclosure – option

NORD motors can be provided with an enclosure rated IP65. This enclosure protection is suitable for wet, low-pressure wash down and extremely dusty environments.

IP	1 st code number Foreign body protection	2 nd code number Water protection
6	Dust tight	
5		Protection against water jets

IP 66 enclosure – option

NORD motors can be provided with an enclosure rated IP66. This enclosure protection is suitable for wet, high-pressure wash down and extremely dusty environments.

IP	1 st code number Foreign body protection	2 nd code number Water protection
6	Dust tight	Protection against high pressure water jets

Totally-Enclosed Non-Ventilated “TENV” (OL or OL/H) – option

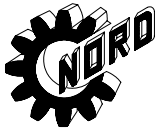
NORD motors can be provided in a non-ventilated enclosure. Non-ventilated motors can provide benefits in some operating environments. Non-ventilated motors must have larger motor frames than standard TEFC enclosure motors. The TENV motor’s frame size will be twice the frame power size of the standard TEFC frame for continuous operation. For intermittent operation a motor can be operated at a 50% duty cycle at full rated power.

Consult NORD for motor performance ratings.

Totally Enclosed Blower Cooled “TEBC” – option

NORD offers continuous running motor mounted cooling fans that provide motor cooling at low motor speeds. When a motor is operated on an inverter at low frequency, standard rotor fans do not provide adequate airflow for cooling. NORD’s separate powered motor cooling fans provide adequate airflow for cooling. These separately powered fans replace the standard motor fan cover and fan.

See option “Blower Cooling Fan (F & FC)” page 67 for ratings and selection.



Motor - Options Selection & Ratings

Condensation Drain Holes

NORD motors can be equipped with condensation weep holes. These drain holes are placed in the motor end-bells at the lowest possible point. The drain holes are closed at the factory with plastic snap in plugs. They allow for condensation accumulation in the motor to drain after the closing plugs are removed.

The motor drain holes can be provided by NORD either open (KD) or sealed with a closing plug (KB).

CAUTION! – The motor must be installed in the mounting orientation specified on the nameplate or the drain holes will not function properly and may result with the motor filling with water.

Condensation Drain Holes (KD) – option

KD drain holes are shipped open (not plugged).

ORDER NOTE – Mounting position must be specified including terminal box location



Mounting position _____
Terminal box location _____
Cable entry location _____

Condensation Drain Holes – plugged (KB) – option

KB drain holes are shipped by NORD closed by a sealing plug. In order for the holes to effectively drain moisture they must be opened.

ORDER NOTE – Mounting position must be specified including terminal box location



Mounting position _____
Terminal box location _____
Cable entry location _____

Epoxy Dipped Windings (EP) – option

In extremely wet environments, the motor windings are dipped in epoxy for improved moisture protection. The motor can also be treated with the standard NORD Severe Duty + (NSD+) package for an even higher degree of protection.

Class H Insulation (ISO H) – option

NORD motors can be manufactured with class H insulation system. Standard NORD motors include double coated magnetic wire windings rated class H insulation. This provides extra temperature capacity for the motor and will lengthen the motor's life. Class H insulation rated motors are also an advantage in some severe applications:

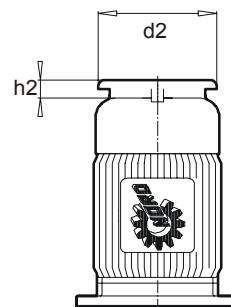
- ## Increased ambient temperature installations – above 40°C (104°F)
- ## Increased elevation installations – above 3300 ft (1000 m)
- ## Applications with a very high number of starts per hour.
- ## Meets class H insulation motor specifications
- ## Lower operating frequency when used with frequency inverter systems



Motor - Options Selection & Ratings

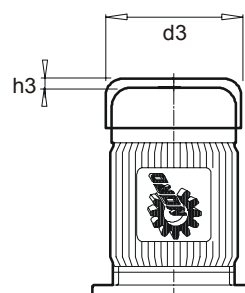
Canopy Drip Cover (RD) – option

For wet installations where the fan end of the motor is mounted up, thus allowing water to fall into the motor's fan guard, NORD offers a canopy drip cover to block this falling water.



Double Fan Cowl (RDD) – option

For wet installations where the fan end of the motor is mounted up, the NORD Double Fan Cowl provides protection against falling or wind blown water or snow from entering the back of the motor.



Motor Space Heater (SH) – option

Motors subjected to extreme temperature fluctuations or severe climatic conditions can be damaged by the formation of condensation. NORD can provide motor anti-condensation space heaters inside the motor to heat up the windings when the motor is not operating. This will prevent moisture from condensing inside the motor. The space heaters must not be switched on while the motor is running.

Motor Frame	Total Watts	Number of Heaters	Motor Frame	Total Watts	Number of Heaters
63	18 W	1	132	100 W	2
71	18 W	1	160	100 W	2
80	25 W	1	180	100W	2
90	50 W	2	200	120W	2
100	50 W	2	225	120W	2
112	50 W	2			

ORDER NOTE – Space heater voltage must be specified.



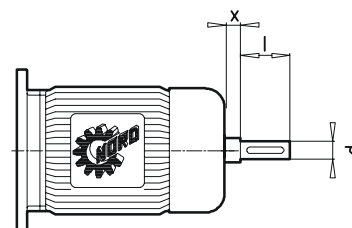
Space heater voltage _____

Voltages available - specify space heater voltage when ordering:

- 115V – 50/60Hz
- 230V – 50/60Hz
- 460V – 50/60Hz
- other voltages available on request

Motor Second Shaft Extension (WE) – option

NORD can provide motors with a rear end shaft extension. This extension can be used as a power take-off or to mount customer supplied devices.





Motor - Options Selection & Ratings

Overload Protection

Current-controlled motor protection must be set according to the rated current shown on the motor nameplate. Motor operation involving high starting frequency, short-term duty or large temperature differences should be protected by internal motor thermal measuring devices.

Thermostat (TW) – option

Three bimetallic switches are connected in series in the motor windings, one per motor phase. Upon reaching the limit temperature, this device automatically open circuits. The installer is responsible to wire the thermostat into the motor control circuit. After the temperature has fallen below the trip limit, the thermostat switch re-sets automatically. The auto resetting property must be considered when designing the safety aspects of the control scheme.

Ratings:

- NC (Normally Closed) – auto resetting
- Voltage - 6 to 500VAC
- Current - 1.6 A
- Resistance less than 50 mT

Thermistor Sensors (TF) – option

Three positive temperature coefficient (PTC) thermistors are connected in series in the motor windings, one per motor phase. Thermistors require an external tripping device. Upon reaching the limit temperature, the thermistors change their resistance suddenly. In connection with a tripping device, this property is employed to monitor the motor temperature. The relay built into the tripping device has a make-and-break-contact, which is used in the control wiring. NORD does not provide the external tripping device with the TF thermistor option. You must request a thermistor tripping device separately. Many Inverters and PLCs include a built in PTC thermistor evaluation input.

Transition temperature	150 °C +/- 5°C
Resistance < transition	20 ... 500 . T
Resistance > transitions	> 4 kT .
Rated voltage	< 7,5 V
Rated current	< 1 mA
Motor ambient	40 °C

	Current-based devices		Temperature-based devices	
	Fuses	Motor Overloads	PTC Thermistor (TF)	Bimetallic switch (TW)
↑ = Good protection				
→ = Limited protection				
↓ = No protection				
Over current up to 200%	↓	↑	↑	↑
High inertia starting	↓	→	↑	→
Frequent motor starts	↓	→	↑	↑
Stalling	→	→	→	→
Single phasing	↓	→	↑	↑
Supply voltage deviations	↓	↑	↑	↑
Supply frequency deviations	↓	↑	↑	↑
Inadequate motor cooling	↓	↓	↑	↑
Bearing Damage	↓	↓	↑	↑

High Inertia Fan (Z) – option

An optional cast iron motor cooling fan is available. This fan is used as a mechanical soft start and/or soft stop. This fan adds inertia to the motor. The high inertia fan can also be used for a flywheel effect to store mechanical energy. This can be helpful in smoothing rapid load changes. The cast iron fan replaces the standard plastic motor fan.

Motor Frame	Fan inertia J _r [lb-ft ²]	Motor Frame	Fan inertia J _r [lb-ft ²]
71..	0.0475	100..	0.2684
80..	0.1140	112..	0.5653
90..	0.2375	132..	0.950



Motor - Options Selection & Ratings

Power Plug Quick Connector (MS) – option

The power plug quick connector type MS is a simple and fast way to connect and disconnect a motor or brakemotor. The MS connector is available on NORD three-phase motors from frame size 63 to 112. The motor connections are made by a modular power plug manufacturer by Harting. After the first installation, the motor can be quickly changed by simply plugging and unplugging the electrical connections. This will ensure the new motor is properly wired. This is a significant advantage to equipment builders who fabricate machinery on site and then ship to another location. The motor with the MS connector can simply be plugged in during final installation.

NORD supplies the male connector half mounted on the motor conduit box. The customer must supply the female connector half mounted on the power wiring. NORD supplies a protective plastic cover on the motor male connector half to protect from dirt and damage prior to installation.

See page 110 for detailed dimensions

Plug ratings:

Manufacturer: Harting
Connector: HAN 10 ES / HAN 10 ESS –
cage clamp connectors
Number of pins: 10 – male
Voltage: 500VAC
Current: 16A – continuous

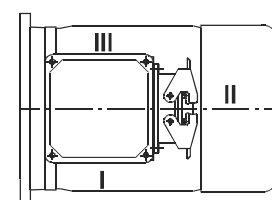
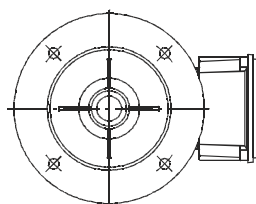
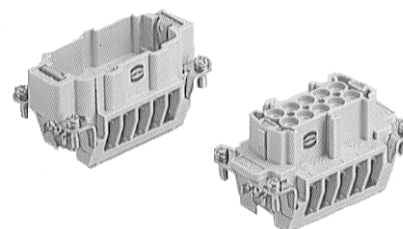
Location options:

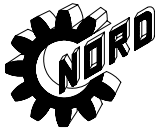
Terminal box at position 1
Connector at II
Connector can be at I or ,II or III



Advantages:

- # Simple motor wiring
- # Accurate wiring of motor at final job site
- # Fast motor replacement
- # Accurate wiring of replacement motor
- # Ideal for portable equipment
- # Reduces the required personnel for motor replacement
- # Faster motor changes reduce down time





Motor - Options Selection & Ratings

Blower Cooling Fan (F & FC) – option

NORD offers continuous running motor mounted cooling fans that provide motor cooling at low motor speeds. When a motor is operated on an inverter at low frequency, standard rotor fans do not provide adequate airflow for cooling. NORD's separate powered motor cooling fans provide adequate airflow for cooling. These separately powered fans replace the standard motor fan cover and fan.

ORDER NOTE – The Type F or FC must be specified.

Option FC – Single-phase 115V input

Motor Frame	Vent Fan Type	60Hz Ratings			50Hz Ratings		
		Voltage [V]	Current [mA]	Power [W]	Voltage [V]	Current [mA]	Power [W]
Single phase connection - 1~γ(Δ)							
63	FC63	100 – 115 – 135	169-182-229	26-32-42	110 – 115 – 135	202-241-301	23-30-42
71	FC71	100 – 115 – 135	196-205-234	33-37-47	110 – 115 – 135	211-242-303	24-30-44
80	FC80	100 – 115 – 135	255-254-266	37-42-57	110 – 115 – 135	228-248-301	26-31-43
90	FC90	100 – 115 – 135	428-438-463	58-72-102	110 – 115 – 135	357-420-571	40-53-78
100	FC100	100 – 115 – 135	518-519-525	70-82-105	110 – 115 – 135	411-439-544	45-55-78
112	FC112	100 – 115 – 135	602-604-604	80-93-115	110 – 115 – 135	466-481-551	52-62-80

Option F –3ph & 1ph 200-575V 50/60Hz

Motor Frame	Vent Fan Type	60Hz Ratings			50Hz Ratings		
		Voltage [V]	Current [mA]	Power [W]	Voltage [V]	Current [mA]	Power [W]
Single phase connection - 1~γ(Δ)							
63	F63	200 – 277	84-106	24-38	200 – 277	70-94	15-27
71	F71	200 – 277	106-115	30-41	200 – 277	79-99	16-28
80	F80	200 – 277	114-126	33-44	200 – 277	90-104	31-39
90	F90	200 – 277	228-244	56-87.5	200 – 277	179-251	35.5-71.5
100	F100	200 – 277	237-275	65-87.5	200 – 277	207-254	51.5-70
112	F112	200 – 277	274-305	68.5-107	200 – 277	229-260	46-73
132	F132	200 – 277	206-261	50-89	200 – 277	189-293	40-82
160, 180, 200, 225	F160	200 – 277	351-412	85-140	200 – 277	303-446	65-128
Three phase low-voltage connection - 3~Δ							
63	F63	200 – 332	50-93	13-32	200 – 290	50-92	13.5-29
71	F71	200 – 332	58-96	14-33	200 – 290	52-95	13-30
80	F80	200 – 332	69-99	17-34	200 – 290	58-90	14-29
90	F90	200 – 332	154-260	34-90	200 – 290	159-279	34-86
100	F100	200 – 332	183-271	40-93	200 – 290	164-267	35-86
112	F112	200 – 332	202-273	45-94	200 – 290	176-269	38-84.5
132	F132	200 – 332	169-299	37-105	200 – 290	195-320	43-95
160, 180, 200, 225	F160	200 – 332	297-485	64-165	200 – 290	325-523	71-155
Three phase high-voltage connection - 3~Y							
63	F63	346 – 575	23-54	13-32	346 – 500	20-45	13.5-29
71	F71	346 – 575	28-55	14-33	346 – 500	23-46	13-30
80	F80	346 – 575	35-57	17-34	346 – 500	24-45	14-29
90	F90	346 – 575	86-150	34-90	346 – 500	89-159	34-86
100	F100	346 – 575	100-157	40-93	346 – 500	94-156	35-86
112	F112	346 – 575	114-158	45-94	346 – 500	100-151	38-84.5
132	F132	346 – 575	94-173	37-105	346 – 500	110-179	43-95
160, 180, 200, 225	F160	346 – 575	169-280	64-165	346 – 500	188-291	71-155



Motor - Options Selection & Ratings

Incremental Encoder (IG) – option

NORD can provide an incremental encoder mounted on the back of a motor or brakemotor. Commonly encoders are used as speed or position feedback devices for use with AC drives, motion controllers or PLC's Below are standard encoders; however, others can be supplied on request. NORD supplies encoders manufactured by Heidenhain Corp.

Encoder Type:
Quadrature
Differential
Marker pulse

See page 109 for detailed dimensions

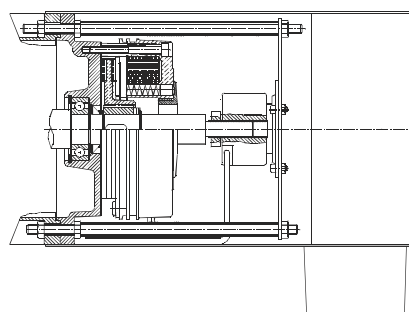
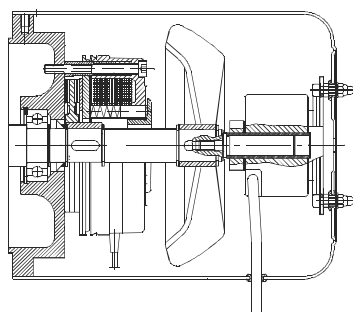
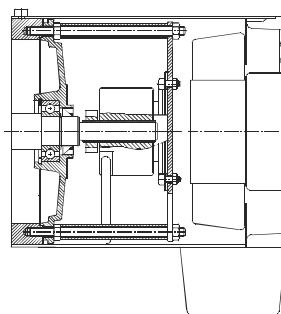
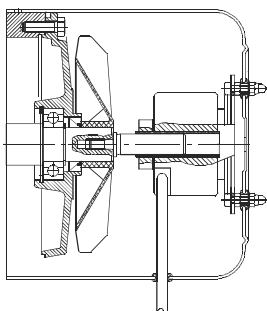
Pulse Count [PPR]	100, 250, 500, 1000, 1024, 1250, 2000, 2048, 2500, 3600, 4096, 5000			
Heidenhain types	ERN 420	ERN 460	ERN 430	
Interface	TTL/RS422	TTL/RS422	HTL/Push-pull	
Operating voltage	4...6	10...30	10...30	VDC
Max current	150	150	150	MA
Max output frequency	300	300	300	kHz
Max speed	12,000	12,000	12,000	rpm
Ambient temperature	-4...+158	-4...+158	-4...+158	°F
Ambient temperature	-20...+70	-20...+70	-20...+70	°C
Enclosure	IP65	IP65	IP65	
Cable	5-ft (1.5 m) shielded jacketed cable			

ORDER NOTE – Encoder PPR and electrical interface must be specified:

Pulse count _____
Interface _____



IG1 = 1024 PPR
IG2 = 2048 PPR
IG4 = 4096 PPR
other pulse counts available see table above



NORD GEAR LIMITED

Terms and Conditions of Sale

1. CONTRACT

Any contract between Nord Gear Limited, hereinafter designated as Seller, and the Buyer is subject to the terms and conditions of sale hereinafter set forth. Any deviation from such terms and conditions must be specifically set forth in writing and consented to by Seller.

2. CONFIRMATION

An order shall be deemed accepted only when duly confirmed by Seller, at Nord Gear Limited's home office in Brampton, Ontario, and upon such confirmation the order shall become a contract binding upon the parties hereto, their successors and assigns.

3. PRICES

Prices shown are list prices and may be subject to applicable discounts. Unless otherwise agreed upon in writing, prices are FOB factory Brampton, Ontario. Prices and discounts are subject to change without notice until order is accepted. Seller's prices do not include cost of any inspection permits required.

4. LIMITED WARRANTY

Seller warrants the goods sold hereunder to be free from defects in material and workmanship under normal use and service not arising from misuse, negligence, or accident, including but not limited to the use, installation, and transportation of the goods by the Buyer, its agents, servants, employees, or by carriers. Such obligations under this warranty are limited to remedying any deficiencies in the goods at Brampton, Ontario, or at such place or places in Canada as may be designated by Seller. This warranty shall pertain to any part or parts of any goods to which Buyer or its assigns has, within one year from date of original factory invoice, given written notice of claimed defects to Seller. Buyer shall be required to furnish Seller with details of such defects and this warranty shall be effective as to such goods which Seller's examination shall disclose to his satisfaction to have been defective and which at Seller's option shall promptly thereafter be returned to Seller or its nominees. EXCEPT FOR THE EXPRESS WARRANTIES SET FORTH ABOVE, SELLER HAS MADE NO WARRANTIES, EXPRESS, IMPLIED OR STATUTORY, AS TO THE GOODS SOLD HEREUNDER, INCLUDING, BUT NOT LIMITED TO THEIR MERCHANTABILITY OR FITNESS FOR ANY PARTICULAR PURPOSE. ANY DESCRIPTION OR MODEL OF THE GOODS IS FOR IDENTIFICATION OR ILLUSTRATIVE PURPOSES ONLY AND SHALL NOT BE DEEMED TO CREATE AN EXPRESS WARRANTY. THE REMEDIES OF THE BUYER SET FORTH IN THIS SECTION ARE EXCLUSIVE. In no event shall the Seller be liable to the Buyer or to any other person for any loss or damage, direct or indirect, arising out of or caused by the use or operation of the goods, or for the loss of profits, business, or good will, or for any incidental, special or consequential damages. Seller shall in no event be liable to any person or firm (including any assignee or Buyer) except Buyer and its successors. Unless specifically authorized by Seller in writing, Seller shall not become responsible for any repair work done by Buyer or any other party on any goods sold. Any costs of the return of such goods to Seller shall be borne by Buyer. Goods sold but not manufactured by the Seller are being warranted as to defects in material and workmanship consistent with the limited warranty policy of the original manufacturer of the goods and if there is not such a limited warranty policy, the warranty shall be limited to the provisions of the preceding paragraph of Article 4 herein. Standards for the operating characteristics of the gearboxes and the gearmotors are in conformity with Seller's test. THIS WARRANTY IS IN LIEU OF ALL OTHER EXPRESS OR IMPLIED WARRANTIES, INCLUDING ANY IMPLIED WARRANTY OF MERCHANTABILITY OR FITNESS FOR ANY PARTICULAR PURPOSE. THE SELLER DOES NOT ASSUME, NOR DOES IT AUTHORIZE ANY PERSON TO ASSUME, ON ITS BEHALF, ANY OTHER OBLIGATION OR LIABILITY.

5. SHORTAGE AND NONCONFORMITY

Any claim of shortage or that the goods do not conform with the specifications of the order or model must be made in writing within ten (10) days after delivery of the goods (as to which such claim is made) to Buyer or its nominees, but in no event shall the claim be later than within the time limit provided by the carrier or insurance company, otherwise such claim shall be deemed waived. The samples, measurements, dimensions and weights contained in the Seller's catalogs, sales manuals, photographs and drawings constitute only an approximate guide. The Seller reserves the right to make any changes which the Seller, in its absolute discretion, considers necessary. While the goods will be delivered principally according to specifications or standards or quantities agreed upon, insignificant deviations or insignificant changes in construction are permissible. The same applies to partial deliveries. In the event that Buyer has a verified claim of shortage or nonconformity of the goods to the specifications of the order or the model, and if such claim has been submitted within the required time limit as set forth above, the Seller shall, at its own expense, make up for the shortage of the goods, or replace or repair the goods, as the case may be, but in no event shall Seller be or become liable to Buyer or to any other person or persons for any loss in damage, direct or indirect, arising out of or caused by such incidents or for the loss of profits, business or good will. Shipping dates are estimates unless parties expressly agree on time of the essence.

6. FORCE MAJEURE

The obligation of the Seller shall be modified or excused, as the case may be, for reasons of Acts of God, war, governmental law regulations, strikes or lock-outs, fire, breakdown of machinery, whether in its own business enterprise, or if for any other cause beyond Seller's control, the goods cannot be delivered or their delivery becomes delayed in whole or in part. In the above instances time for delivery shall be extended for the period of the delay caused, with the proviso, however, that either party may cancel in writing the undelivered portion of the order or contract if the delay exceeds six (6) months from the delivery date originally confirmed by Seller. In no event shall Seller become liable in the aforesaid instances to Buyer or any third party for consequential damages or business loss.

7. SHIPMENT AS UNIT

Each shipment by Seller shall be treated as a separate and distinct unit with respect, but only with respect to forwarding, terms of payment, and the making of claims by the Buyer; provided, however, that if the Buyer defaults in the payment of any obligation to Seller or any installments thereof, under any agreement between Buyer and Seller, or if Buyer refuses to accept any goods when tendered for delivery, the Seller may, on fifteen (15) days' written notice to the Buyer, without prejudice to Seller's other lawful remedies, either defer further performance until the defaulted payments are made in full, or make future deliveries for cash in advance only, or treat the entire contract or contracts with Buyer as breached by the Buyer and pursue its remedies for breach.

8. BUYER'S REFUSAL OF DELIVERY

If Buyer refuses to accept delivery of any goods tendered for delivery, then Seller, without prejudice to Seller's other lawful remedies, may either store or cause such goods to be stored in a warehouse, for Buyer's account and at Buyer's cost, risk and expense, or sell such goods (without notice) to any purchaser at public or private sale, and hold Buyer liable for any difference between (a) the contract price of the goods, and (b) the price at which goods are resold less the costs and expense of such resale including brokerage commissions, or restocking charges.

9. GOODS IN TRANSIT

If prior to delivery or while the goods are in transit, Buyer or Seller becomes bankrupt or insolvent, or any petition in bankruptcy or for the reorganization or for appointment of a receiver is filed against Buyer or Seller, as the case may be, then the other party hereto may forthwith terminate this contract by giving written notice of such termination. Such termination shall not affect any claim for damages available to the Buyer, provided that if Buyer is then indebted to Seller, the amount of any such damage claim shall be abated to the extent that the indebtedness of Buyer to Seller, as actually paid in money, is abated by any order or judgment entered or any plan adopted in any bankruptcy, reorganization, receivership, or similar proceeding. Such termination shall not prejudice the Seller's rights to any amounts then due under the contract. If Buyer becomes bankrupt or insolvent or any petition in bankruptcy or for reorganization or if a state court receivership is filed against Buyer, then, at its option, Seller may take possession of any goods theretofore sold to Buyer, in connection with which the full purchase price has not been paid, analogous to the terms and provisions set forth in Paragraphs 11 and 12 hereinafter.

10. DELIVERY

(a) Unless otherwise agreed, delivery of the goods to any carrier shall constitute delivery to the Buyer, and thereafter the risk of loss or damage to the goods shall be upon the Buyer. (b) If the Buyer does not give delivery instructions to the Seller at least (10) days prior to the delivery date *ex factory confirmed* by the Seller, the Seller may deliver the goods to a carrier of its own choosing, at Buyer's cost and risk, or, at Seller's option, may store the goods on the pier or on any warehouse, at Buyer's cost and risk. Any purchase price in such event becomes due and payable within ten (10) days of such storage.

11. PAYMENT OF PURCHASE PRICE

Time of payment is of the essence under the contract. Upon default in any of the terms of the contract, or failure to comply with any of the conditions thereof, or upon seizure of the property under execution or other legal process, or if the Buyer becomes bankrupt or insolvent, or any petition for reorganization or for appointment of a receiver is filed against Buyer, or if the Buyer makes any assignment for the benefit of its creditors or otherwise sells, encumbers or disposes of the goods, or if for any other reason the Seller should deem itself insecure, the full amount of the purchase price then remaining unpaid shall at once become due and payable at the option of the Seller.

12. BUYER'S DEFAULT

Upon the Buyer's default, the Seller may dispose of the merchandise in any manner that it deems fit and, if it desires to resell same, may do so at private or public sale, with or without notice, and with or without the property being at the place of sale, subject, however, to applicable laws. The Seller or its assigns shall have the right to bid at such sale and may become the purchaser of the property. The proceeds of the sale shall first be applied to the expenses incurred in retaking, repairing, storing and selling the goods, reasonable solicitor's fees included, and then shall be applied to the payment of the balance due under the contract. Any surplus amount shall be paid to the Buyer. If a deficiency results after the resale, the Buyer agrees to pay such forthwith, together with reasonable solicitor's fees, for the recovery of the goods incurred by the Seller. If upon the Buyer's default, the Seller elects not to resell any goods which it may repossess, then the cost of repossession, including reasonable solicitor's fees, shall forthwith be due and payable from Buyer to Seller.

13. SECURITY INTEREST AND TITLE

In provinces which are governed by a Personal Property Security Act, this contract shall serve as Security Agreement, reserving in Seller a security interest until full payment of purchase price. The provisions of the Personal Property Security Act regarding security interest shall have preference and apply if inconsistent with other terms of the conditions of sale herein. In provinces where a Personal Property Security Act does not apply, title to the goods shall remain in the Seller or its assigns until full payment of the purchase price. Buyer agrees to execute forthwith any and all documents in such a way and form as Seller may need for filing or recording the security interest under a Personal Property Security Act with the proper registers or offices, or for filing or recording the Conditional Sales Contract herein.

14. SALES AND USE TAX

The Seller's prices do not include sales, use, excise or other taxes payable to any governmental authority in respect of the sale of Seller's goods. The Buyer shall pay, in addition to the Seller's price the amount of any such taxes or shall reimburse the Seller for the amount thereof that the Seller may be required to pay. At the option of the Seller, Buyer shall give evidence of payment or of exemption certificate.

15. INSURANCE

The Buyer shall keep the goods insured against damage by fire, water or other casualty as required by Seller, with a company acceptable to Seller, with loss payable to Seller for the total purchase price until the Seller is fully paid. Seller, if it so elects, may place said insurance at Buyer's expense; Seller may cancel such insurance at any time and without notice and may receive the return premium, if any.

16. MODIFICATION BY SELLER

Any contract may be assigned or transferred by the Seller, or the time for the making of any payment due by Buyer may be extended by Seller without derogation of any of the rights of the Seller or its assigns. Waiver by any party of any default shall not be deemed a waiver of any subsequent default.

17. RETURNED GOODS

No goods will be accepted for return unless authorized in writing by Seller. In all cases, transportation and restocking charges will be borne by Buyer.

18. PACKING

The Seller does not charge for standard packaging for domestic shipment. The Buyer will be charged, however, for export packaging or other special packing desired. Cost for cartage to ship or transfer express will be added to the invoice. No credit will be allowed if no packing is required.

19. EXPORT ORDER

Export orders are to be accompanied by a confirmed irrevocable Letter of Credit in Seller's favor, in Canadian currency, with an accredited Canadian bank, subject to Seller's draft, with shipping documents attached.

20. CANCELLATION

Placing orders on hold or cancellation of orders require Seller's written approval, and are subject to cancellation and/or restocking charges.

21. BUYER'S RESPONSIBILITY AS TO MAINTENANCE

Buyer shall use and shall require its employees and agents to use all safety devices and guards and shall maintain the same in proper working order. Buyer shall use and require its employees and agents to use safe operating procedures in operating the equipment and shall further obey and have its employees and agents obey safety instructions given by Seller. If Buyer fails to meet the obligations herein, Buyer agrees to indemnify and save Seller harmless from any liability or obligation with regard to any personal injuries or property damages directly or indirectly connected with the operation of the equipment. Buyer further agrees to notify Seller promptly and in any event not later than ten (10) days after notice or knowledge of any accident or malfunction involving Seller's equipment which has caused personal injury or property damages and to cooperate fully with Seller in investigating and determining the causes of such accident and malfunction. In the event that Buyer fails to give such notice to Seller or to cooperate with Seller, Buyer shall be obligated to indemnify and save Seller harmless from any such claims arising from such accident.

22. MISCELLANEOUS PROVISIONS

(a) If for any reason a provision of a contract is legally invalid, then in such event the rest of the contract shall remain in full force and effect, except that the parties shall try to replace such invalid provision with a provision closest to their original mutual intentions. (b) Any amendments to any contract or contracts require the consent in writing by both parties.

23. NON ASSIGNMENT BY BUYER

Contract or contracts may not be assigned by the Buyer without prior written consent of the Seller.

24. APPLICABLE LAW

All contracts are governed by the applicable laws of Ontario.

25. This instrument sets forth the entire understanding and agreement of the parties hereto in respect of the subject matter hereof, and all prior undertakings between the parties hereto, together with all representations and obligations of such parties in respect of such subject matter, shall be superceded by and merged into this instrument.

26. The provisions of this agreement shall bind and enure to the benefit of the parties hereto and their respective heirs, executors, administrators, successors and (subject to any restrictions or assignment herein above set forth) assigns, as the case may be.

27. The parties acknowledge that they have requested this Contract and all notices or other documents relating thereto be drafted in the English language.

Les parties reconnaissent qu'ils ont requis que ce contrat et tous les avis ou autres documents qui s'y rapportent soient rédigés en langue anglaise.

"Terms and Conditions in French available upon request."

NORD GEAR CORPORATION

Conditions of Sale

1. CONTRACT

Any contract between Nord Gear Corporation, hereinafter designated as Seller, and the Buyer is subject to the terms and conditions of sale hereinafter set forth. Any deviation from such terms and conditions must be specifically set forth in writing and consented to by Seller. Accordingly, the Buyer and Seller acknowledge and agree that the terms and conditions set forth below and on the face hereof shall govern Buyer's purchase of the goods described on the face hereof and shall take precedence over and represents the final agreement between Buyer and Seller, notwithstanding any inconsistent, contradictory or other prior or further conditions contained in any oral or written request or purchase order issued by Buyer or any other document furnished by Buyer in connection with its purchase of the Goods, regardless of whether such document or documents are exchanged simultaneously with this invoice or prior or subsequent thereto. Any additional or different terms or conditions which may appear in any communication, oral or written, from Seller, its officers, employees, agents or representatives, are hereby expressly rejected and shall not be effective or binding upon the Seller, unless specifically hereafter agreed to in writing by Seller and no such additional or different terms or conditions in any document submitted to Seller by Buyer shall become part of the contract between Buyer and Seller, unless such written acceptance by Seller specifically recognizes and assents to their inclusion. Any objection by Buyer to the terms and conditions hereof shall be ineffective unless Seller is advised in writing thereof within two (2) days of the date of this invoice.

2. CONFIRMATION

An order shall be deemed accepted only when duly confirmed by Seller, at Nord Gear Corporation's home office in Waunakee, Wisconsin, and upon such confirmation the order shall become a contract binding upon the parties hereto, their successors and assigns.

3. PRICES

Prices shown are list prices and may be subject to applicable discounts. Unless otherwise agreed upon in writing, prices are FOB factory Waunakee, Wisconsin. Prices and discounts are subject to change without notice until order is accepted. Seller's prices do not include cost of any inspection permits required.

4. LIMITED WARRANTY

Seller warrants the goods sold hereunder to be free from defects in material and workmanship under normal use and service not arising from misuse, negligence, or accident, including but not limited to the use, installation, and transportation of the goods by the Buyer, its agents, servants, employees, or by carriers. Such obligations under this warranty are limited to remedying any deficiencies in the goods at Waunakee, Wisconsin, or at such place or places in the United States of America as may be designated by Seller. THIS WARRANTY SHALL PERTAIN TO ANY PART OR PARTS OF ANY GOODS TO WHICH BUYER OR ITS ASSIGNS HAS GIVEN WRITTEN NOTICE OF CLAIMED DEFECTS TO SELLER. NORD GEAR CORP. WARRANTS ITS PRODUCTS AGAINST DEFECTS IN MATERIAL AND WORKMANSHIP FOR A PERIOD OF 12 MONTHS FROM DATE OF INSTALLATION OR 18 MONTHS FROM DATE OF SHIPMENT WHICHEVER COMES FIRST ON ALL COMPONENTS. 36 MONTHS FROM DATE OF INVOICE OR 24 MONTHS FROM DATE OF INSTALLATION WHICHEVER COMES FIRST ON GEARS AND HOUSINGS ONLY. PARTS WHICH ARE SUBJECT TO OPERATIONAL WEAR AND TEAR, SUCH AS BELTS & TRACTION DISCS, ARE NOT COVERED BY THE LIMITED WARRANTY. Buyer shall be required to furnish Seller with details of such defects and this warranty shall be effective as to such goods which Seller's examination shall disclose to its satisfaction to have been defective and which at Seller's option shall promptly thereafter be returned to Seller or its nominees. THE LIMITED WARRANTY SET FORTH HEREIN IS IN LIEU OF ALL OTHER WARRANTIES, EXPRESS OR IMPLIED. EXCEPT FOR THE EXPRESS WARRANTIES SET FORTH HEREIN, SELLER HAS MADE AND MAKES NO OTHER WARRANTIES, EXPRESS OR IMPLIED, AS TO THE GOODS SOLD HEREUNDER, INCLUDING, BUT NOT LIMITED TO, THEIR MERCHANTABILITY OR FITNESS FOR ANY PARTICULAR PURPOSE. ANY DESCRIPTION OR MODEL OF THE GOODS IS FOR IDENTIFICATION OR ILLUSTRATIVE PURPOSES ONLY AND SHALL NOT BE DEEMED TO CREATE ANY WARRANTY, EXPRESS OR IMPLIED. SELLER MAKES NO REPRESENTATIONS AS TO THE CAPACITY OR PERFORMANCE OF THE GOODS SOLD HEREUNDER, EXCEPT AS SET FORTH IN THE INVOICE'S SPECIFICATIONS OR OTHER VALID AGREEMENT OR CONDITION AGREED TO BETWEEN THE PARTIES, AND ANY SUCH REPRESENTATIONS ARE EXPRESSLY CONDITIONED UPON THE CORRECTNESS OF THE DATA AND INFORMATION FURNISHED BY THE BUYER AND UPON THE GOODS BEING PROPERLY INSTALLED AND MAINTAINED. THE REMEDIES OF THE BUYER PROVIDED HEREUNDER ARE EXCLUSIVE. In no event shall the Seller be liable to the Buyer or to any other person for any loss or damage, direct or indirect, arising out of or caused by the use or operation of the goods, or for the loss of profits, business, or good will, or for any incidental, special or consequential damages. Seller shall in no event be liable to any person or firm (including any assignee or Buyer) except Buyer and its successors. Unless specifically authorized by Seller in writing, Seller shall not become responsible for any repair work done by Buyer or any other party on any goods sold. Any and all costs of the return to the Seller of such goods and all related costs to remove and re-install such goods, shall be borne by Buyer. Goods sold but not manufactured by the Seller are being warranted as to defects in material and workmanship consistent with the limited warranty policy of the original manufacturer of the goods and if there is not such a limited warranty policy, the warranty shall be limited to the provision of the preceding paragraph of Article 4 herein. Standards for the operating characteristics of the gearboxes and the gearmotors are in conformity with Seller's tests.

5. SHORTAGE AND NONCONFORMITY

Any claim of shortage or that the goods do not conform with the specifications of the order or model must be made in writing within ten (10) days after delivery of the goods (as to which such claim is made) to Buyer or its nominees, but in no event shall the claim be later than within the time limit provided by the carrier or insurance company, otherwise such claim shall be deemed waived. Buyer may not return any goods claimed to be in non-conformity without Seller's prior written authorization. Goods returned without permission will not be accepted, including for credit, and will be returned to Buyer, F.O.B. Seller's plant. Any claim based on the receipt of damaged Goods must be filed with the carrier which delivered the goods. The samples, measurements, dimensions and weights contained in the Seller's catalogs, sales manuals, photographs and drawings constitute only an approximate guide. The Seller reserves the right to make any change which the Seller, in its absolute discretion, considers necessary. While the goods will be delivered principally according to specifications or standards or quantities agreed upon, insignificant deviations or insignificant changes in construction are permissible. The same applies to partial deliveries. In the event that Buyer has a verified claim of shortage or nonconformity of the goods to the specifications of the order or the model, and if such claim has been submitted within the required time limit as set forth above, the Seller shall, at its own expense, make up for the shortage of the goods, or replace or repair the goods, as the case may be, but in no event shall Seller be or become liable to Buyer or to any other person or persons for any loss in damage, direct or indirect, arising out of or caused by such incidents or for the loss of profits, business or good will. The liability of the Seller to Buyer, if any hereunder, for breach of warranty, contract, negligence or otherwise, shall in no event exceed the amount of the purchase price of the goods sold with respect to which any damages are claimed. Shipping dates are estimates unless parties expressly agree on time of the essence.

6. FORCE MAJEURE

The obligation of the Seller shall be modified or excused, as the case may be, for reasons of Acts of God, war, governmental law regulations, strikes or lock-outs, fire, breakdown of machinery, whether in its own business enterprise, or if for any other cause beyond Seller's control, the goods cannot be delivered or their delivery becomes delayed in whole or in part. In the above instances time for delivery shall be extended for the period of the delay caused, with the proviso, however, that either party may cancel in writing the undelivered portion of the order or contract if the delay exceeds six (6) months from the delivery date originally confirmed by Seller. In no event shall Seller become liable in the aforesaid instances to Buyer or any third party for consequential damages or business loss.

7. SHIPMENT AS UNIT

Each shipment by Seller shall be treated as a separate and distinct unit with respect, but only with respect to forwarding, terms of payment, and the making of claims by the Buyer: provided, however, that if the Buyer defaults in the payment of any obligation to Seller or any installments thereof, under any agreement between Buyer and Seller, or if Buyer refuses to accept any goods when tendered for delivery, the Seller may, on fifteen (15) days written notice to the Buyer, without prejudice to Seller's other lawful remedies, either defer further performance until the defaulted payments are made in full, or make future deliveries for cash in advance only, or treat the entire contract or contracts with Buyer as breached by the Buyer and pursue its remedies for breach.

8. BUYER'S REFUSAL OF DELIVERY

If Buyer refuses to accept delivery of any goods tendered for delivery, then Seller, without prejudice to Seller's other lawful remedies, may either store or cause such goods to be stored in a warehouse, for buyer's account and at Buyer's cost, risk and expense, or sell such goods (without notice) to any purchases at public or private sale, and hold the Buyer liable for any difference between (a) the contract price of the goods, and (b) the price at which goods are resold less the costs and expense of such resale including brokerage commissions, or restocking charges.

9. GOODS IN TRANSIT

If prior to delivery or while the goods are in transit, Buyer or Seller becomes bankrupt or insolvent, or any petition in bankruptcy or for the reorganization or for a state court receivership is filed against Buyer or Seller, as the case may be, then the other party

hereto may forthwith terminate this contract by giving written notice of such termination. Such termination shall not affect any claim for damages available to the Buyer, provided that if Buyer is then indebted to Seller, the amount of any such damage claim shall be abated to the extent that the indebtedness of Buyer to Seller, as actually paid in money, is abated by any order of judgment entered or any plan adopted in any bankruptcy, reorganization, receivership, or similar proceeding. Such termination shall not prejudice the Seller's rights to any amounts then due under the contract. If Buyer becomes bankrupt or insolvent or any petition in bankruptcy or for reorganization or if a state court receivership is filed against Buyer, then, at its option Seller may take possession of any goods theretofore sold to Buyer, in connection with which the full purchase price has not been paid, analogous to the terms and provisions set forth in Paragraphs 11 and 12 hereinafter.

10. DELIVERY

(a) Unless otherwise agreed, delivery of the goods to any carrier shall constitute delivery to the Buyer, and thereafter the risk of loss or damage to the goods shall be upon the Buyer. (b) If the Buyer does not give delivery instructions to the Seller at least (10) days prior to the delivery date ex factory confirmed by the Seller, the Seller may deliver the goods to a carrier of its own choosing, at Buyer's cost and risk, or, at Seller's option, may store the goods on the pier or any warehouse, at Buyer's cost and risk. Any purchase price in such event becomes due and payable within ten (10) days of such storage.

11. PAYMENT OF PURCHASE PRICE

Time of payment is of the essence under the contract. Upon default in any of the terms of the contract, or failure to comply with any of the conditions thereof, or upon seizure of the property under execution or other legal process, or if the Buyer becomes bankrupt or insolvent, or any petition for reorganization or for a state court receivership is filed against Buyer, or if the Buyer makes any assignment for the benefit of its creditors or otherwise sells, encumbers or disposes of the goods, or if for any other reason the Seller should deem itself insecure, the full amount of the purchase price then remaining unpaid shall at once become due and payable at the option of the Seller.

12. BUYER'S DEFAULT

Upon the Buyer's default, the Seller may dispose of the merchandise in any manner that it deems fit and, if it desires to resell same, may do so at private or public sale, with or without notice, and with or without the property being at the place of sale, subject, however, to applicable laws. The Seller or its assigns shall have the right to bid at such sale and may become the purchaser of the property. The proceeds of the sale shall first be applied to the expenses incurred in retaking, repairing, storing and selling the goods, reasonable attorney's fees included, and then shall be applied to the payment of the balance due under the contract. Any surplus amount shall be paid to the Buyer. If a deficiency results after the resale, the Buyer agrees to pay such forthwith, together with reasonable attorney's fees, for the recovery of the costs incurred by the Seller. If upon the Buyer's default, the Seller elects not to resell any goods which it may repossess, then the cost of repossession, including reasonable attorney's fees, shall forthwith be due and payable from Buyer to Seller. Buyer agrees to pay all reasonable costs and reasonable attorneys' fees incurred by Seller in enforcing Seller's rights against Buyer, including Seller's right to payment of the purchase price of the goods and Buyer's payment of all other amounts owing to Seller required under this Invoice and Conditions of Sale.

13. SECURITY INTEREST AND TITLE

In states and localities which are governed by the Uniform Commercial Code, this contract shall serve as security agreement, reserving in Seller a security interest until full payment of purchase price. The provisions of the Uniform Commercial Code regarding security interest shall have preference and apply if inconsistent with other terms of the conditions of sale. In states and localities where the Uniform Commercial Code does not apply, title to the goods shall remain in the Seller or its assigns until full payment of the purchase price. Buyer agrees to execute forthwith any and all documents in such a way and form as Seller may need for filing or recording the security interest under the Uniform Commercial Code with the proper registers or offices, or for filing or recording the conditional sales contract.

14. SALES AND USE TAX

Buyer agrees to bear and pay any sales or use tax in connection with the purchase herein, and to hold the Seller harmless from payment. At the option of the Seller, Buyer shall give evidence of payment or of exemption certificate.

15. INSURANCE

The Buyer shall keep the goods insured against damage by fire, water or other casualty as required by Seller, with a company acceptable to Seller, with loss payable to Seller for the total purchase price until the Seller is fully paid. Seller, if it so elects, may place said insurance at Buyer's expense; Seller may cancel such insurance at any time and without notice and may receive the return premium, if any.

16. MODIFICATION BY SELLER

Any contract may be assigned or transferred by the Seller, or the time for the making of any payment due by Buyer may be extended by Seller without derogation of any of the rights of the Seller or its assigns. Waiver by any party of any default shall not be deemed a waiver of any subsequent default.

17. RETURNED GOODS

No goods will be accepted for return unless authorized in writing by Seller. In all cases, transportation and restocking charges will be borne by Buyer.

18. PACKING

The seller does not charge for standard packaging for domestic shipment. The Buyer will be charged, however, for export packaging or other special packing desired. Cost for cartage to ship or transfer express will be added to the invoice. No credit will be allowed if no packing is required.

19. EXPORT ORDER

Export orders are to be accompanied by a confirmed irrevocable Letter of Credit in Seller's favor, in United States currency, with an accredited United States bank, subject to Seller's draft, with shipping documents attached.

20. CANCELLATION

Placing orders on hold or cancellation of orders require Seller's written approval, and are subject to cancellation and/or restocking charges.

21. BUYER'S RESPONSIBILITY AS TO MAINTENANCE

Buyer shall use and shall require its employees and agents to use all safety devices and guards and shall maintain the same in proper working order. Buyer shall use and require its employees and agents to use safe operation procedures in operating the equipment and shall further obey and have its employees and agents obey safety instructions given by Seller. If Buyer fails to meet the obligations herein, Buyer agrees to defend, indemnify and save Seller harmless from any liability or obligation with regard to any personal injuries or property damages directly or indirectly connected with the operation of the equipment. Buyer further agrees to notify Seller promptly and in any event not later than ten (10) days after notice or knowledge of any accident or malfunction involving Seller's equipment which has caused personal injury or property damages and to cooperate fully with Seller in investigating and determining the causes of such accident and malfunction. In the event that Buyer fails to give such notice to Seller or to cooperate with Seller, Buyer shall be obligated to defend, indemnify and save Seller harmless from any such claims arising from such accident.

22. MISCELLANEOUS PROVISIONS

(a) If for any reason a provision of a contract is legally invalid, then in such event the rest of the contract shall remain in full force and affect, except that the parties shall try to replace such invalid provision closest to their original mutual intentions. (b) This Invoice and these Conditions of Sale constitute the entire agreement between the parties regarding the subject matter hereof and supercedes all prior agreements, understandings and statements, whether oral or written, regarding such subject matter. No modification to, change in or departure from, the provisions of this Invoice and Conditions of Sale shall be valid or binding on Seller, unless approved in writing by Seller. No course of dealing or usage of trade shall be applicable unless expressly incorporated into this Invoice and Conditions of Sale. Any amendments to any contract or contracts between the parties shall be valid only upon the written consent of both parties.

23. JURISDICTION

Any dispute arising under the contract may be brought before any court of proper jurisdiction within the United States.

24. NON ASSIGNMENT BY BUYER

Contract or contracts may not be assigned by the Buyer without prior written consent of the Seller.

25. APPLICABLE LAW AND VENUE

All contracts and their interpretation are governed by the applicable, substantive laws of the State of Wisconsin. Any litigation brought by the Buyer regarding this Invoice or goods purchased hereunder may only be brought in the Circuit Court for Dane County, Wisconsin.

The NORD Family of Gearmotors



HELICAL IN-LINE

Foot or Flange Mount
1/6 to 200 hp
Torque up to 205,000 lb-in
Output speeds – 0.1 to 960 rpm
Gear ratios – 1.82:1 to over 300,000:1
Efficiency 95%+



RIGHT ANGLE HELICAL-BEVEL 2-STAGE

Foot, Flange or Shaft Mount
1/6 to 7.5 hp
Torque up to 5,840 lb-in
Output speeds – 24 to 360 rpm
Gear ratios – 4.1:1 to 72:1
Efficiency 95%+



NORDBLOC® HELICAL IN-LINE

Foot or Flange Mount
1/6 to 50 hp
Torque up to 26,550 lb-in
Output speeds – 4.8 to 900 rpm
Gear ratios – 1.88:1 to over 370:1
Industry interchange



RIGHT ANGLE HELICAL-WORM

Foot, Flange or Shaft Mount
1/6 to 20 hp
Torque up to 27,585 lb-in
Output speeds – 0.1 to 398 rpm
Gear ratios – 4.40:1 to over 300,000:1



PARALLEL HELICAL CLINCHER™

Foot, Flange or Shaft Mount
1/6 to 200 hp
Torque up to 797,000 lb-in
Output speeds – 0.1 to 410 rpm
Gear ratios – 4.26:1 to over 300,000:1
Efficiency 95%+



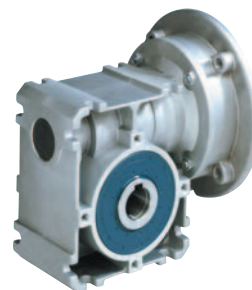
MINICASE® RIGHT ANGLE WORM

Foot, Flange or Shaft Mount
1/6 to 2 hp
Torque up to 2,390 lb-in
Output speeds – 3 to 324 rpm
Gear ratios – 5.40:1 to 582:1



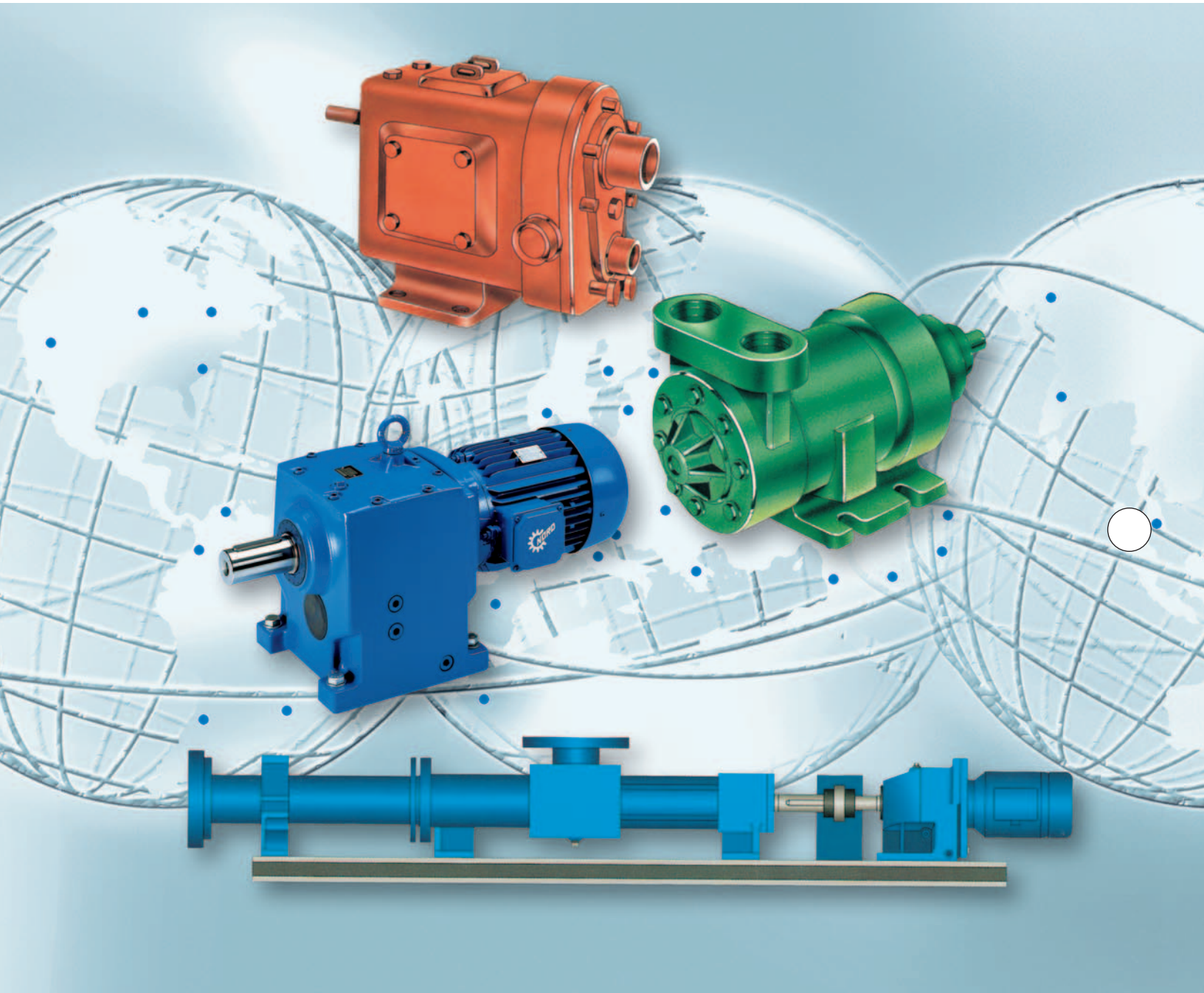
RIGHT ANGLE HELICAL-BEVEL

Foot, Flange or Shaft Mount
1/6 to 200 hp
Torque up to 283,000 lb-in
Output speeds – 0.1 to 218 rpm
Gear ratios – 8.04:1 to over 300,000:1
Efficiency 95%+



UNIBLOC™ WORM GEAR DRIVES

1/6 to 2 hp
Modular bolt-on options
Torque up to 3,540 lb-in
Output speeds – 0.6 to 344 rpm
Gear ratios – 5:1 to 3,000:1



NORD Gear Corporation

National Customer Service Toll Free 888/314-NORD

WEST

1121 Railroad Street, Bldg. 101
Corona, CA 92882
Phone 909-279-2600
Fax 888-GOT-NORD (408-6673)

MIDWEST

800 Nord Dr., P.O. Box 367
Waunakee, WI 53597-0367
Phone 608-849-7300
Fax 800-373-NORD (6673)

SOUTH

100 Forsyth Hall Dr., Bldg.100 B
Charlotte, NC 28273
Phone 704-529-1255
Fax 888-259-NORD (6673)

NORD Gear Limited

Toll Free in Canada 800/668-4378

CANADA

41 West Drive
Brampton, Ontario L6T 4A1
Phone 905-796-3606
Fax 905-796-8130

www.nord.com